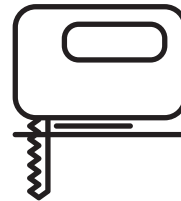
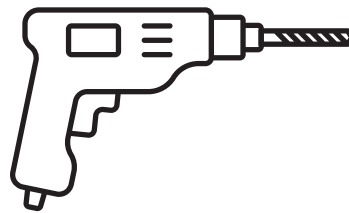
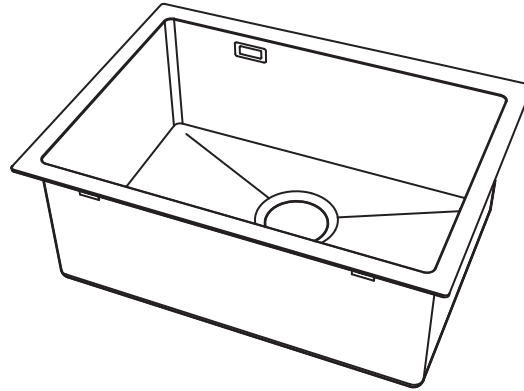
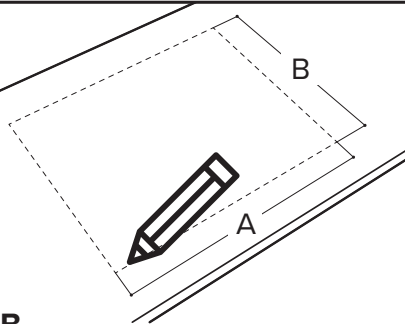




SATSINK5545xxU
SATSINK6845xxU



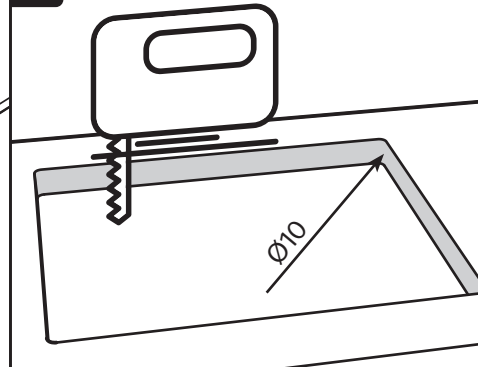
1



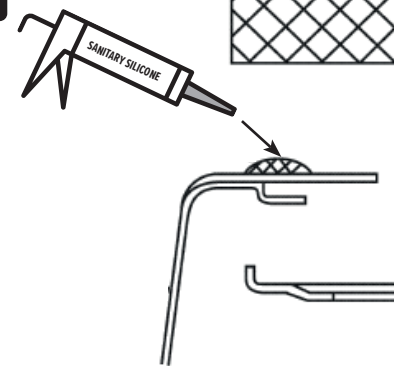
A x B

SATSINK5545xx 500 x 400 mm, R10
SATSINK6845xx 630 x 400 mm, R10

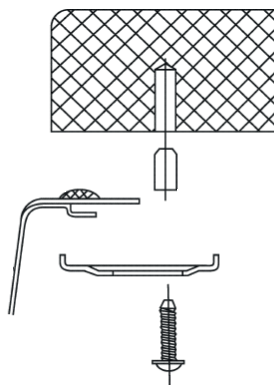
2



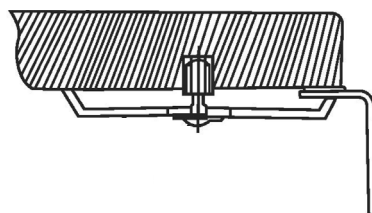
3



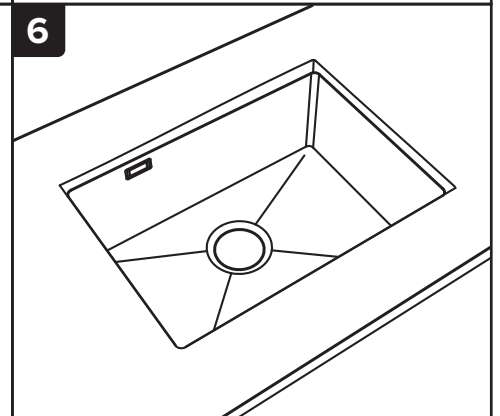
4



5



6



SAT® is registered trademark of



Swiss
Aqua
Technologies

Swiss Aqua Technologies AG
Gewerbstrasse 9, 6330 Cham, Switzerland
www.swatec.ch
Imported by SIKO KOUPELNY a.s.
Made in P.R.C.

