

## Technische Daten/ Technical Data

KLUDI  
hand shower 1 S  
DN 15

Ref.: 39120N0-00

Finishes:  
N0 Brushed Gold

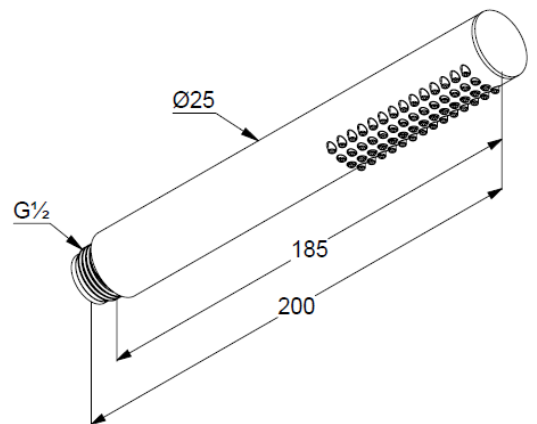
Product description  
Manufacturer KLUDI GmbH & Co. KG  
Typ: KLUDI  
hand shower 1 S  
Ref.: 39120N0-00

hand shower  
1 spray pattern  
with cleaning system  
connection G $\frac{1}{2}$   
sieve seal

### Produktabbildung/ Product picture



### Maßzeichnung/ Dimensional drawing



### Durchfluss/ Flow rate

