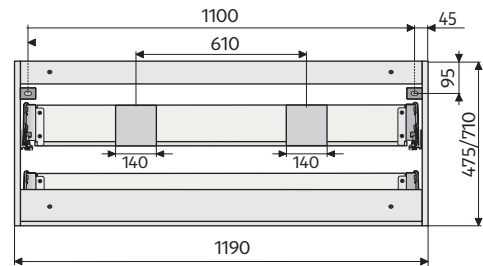
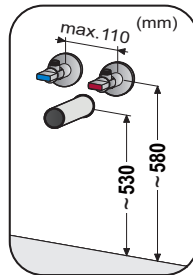
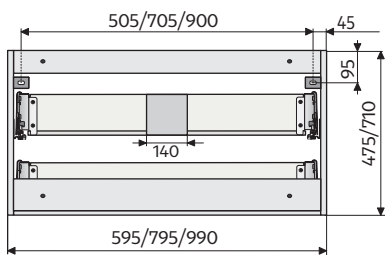
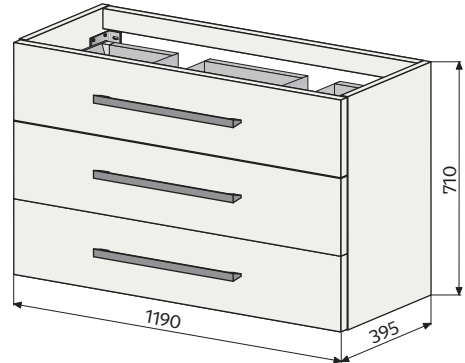
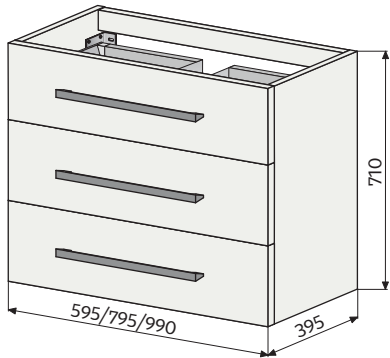
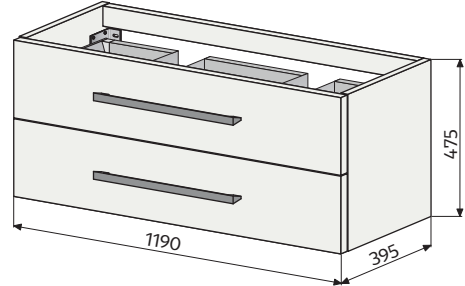
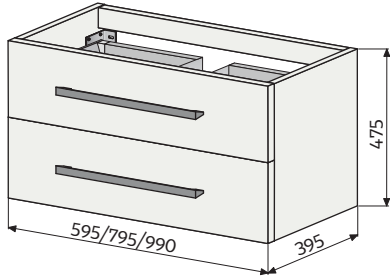
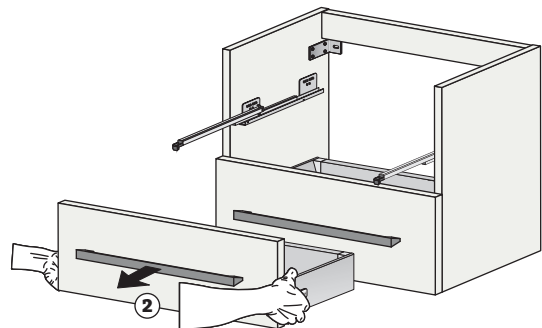
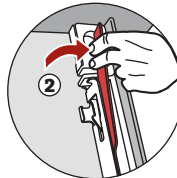
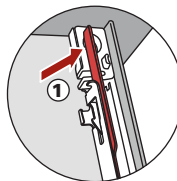
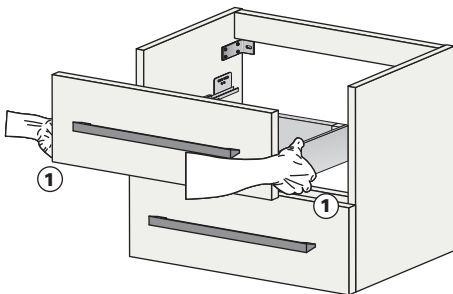




CUBE340602Z\*\*BU CUBE340603Z\*\*BU  
CUBE340802Z\*\*BU CUBE340803Z\*\*BU  
CUBE3401002Z\*\*BU CUBE3401003Z\*\*BU  
CUBE3401202Z\*\*BU CUBE3401203Z\*\*BU

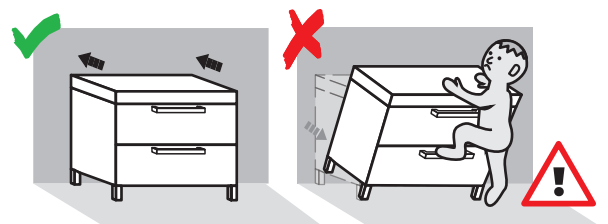
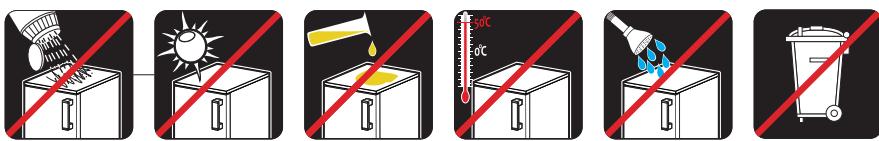
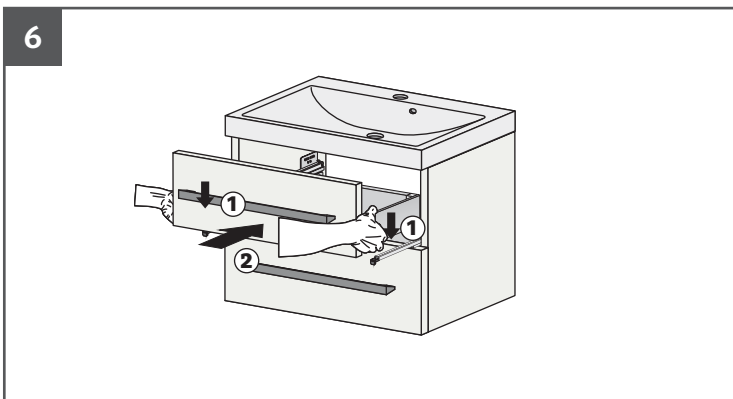
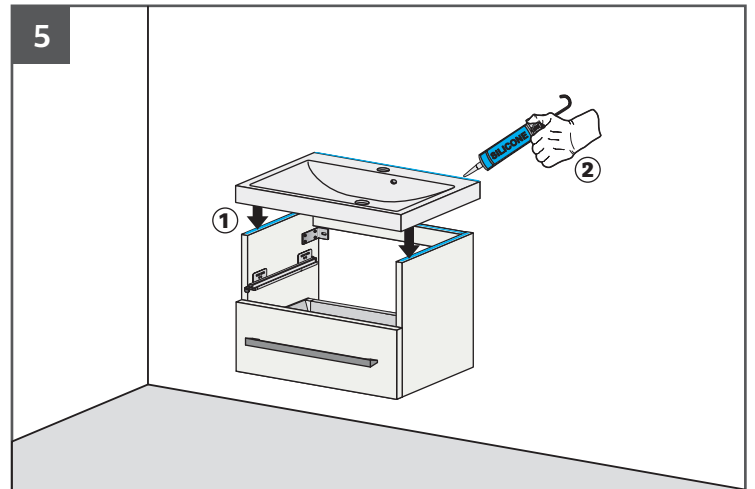
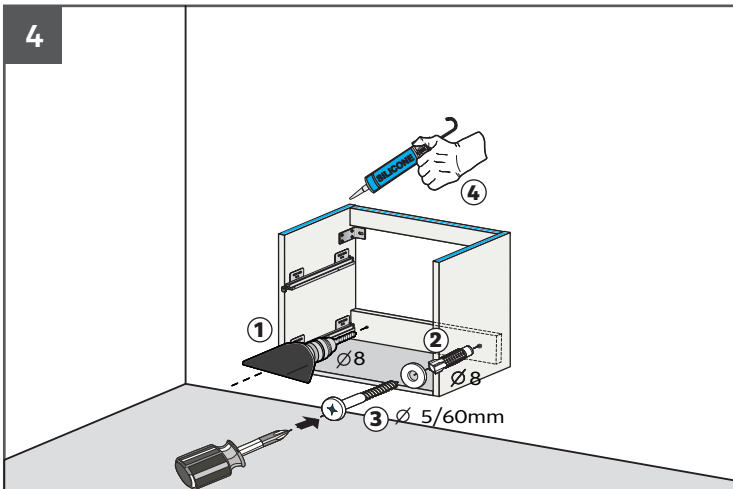
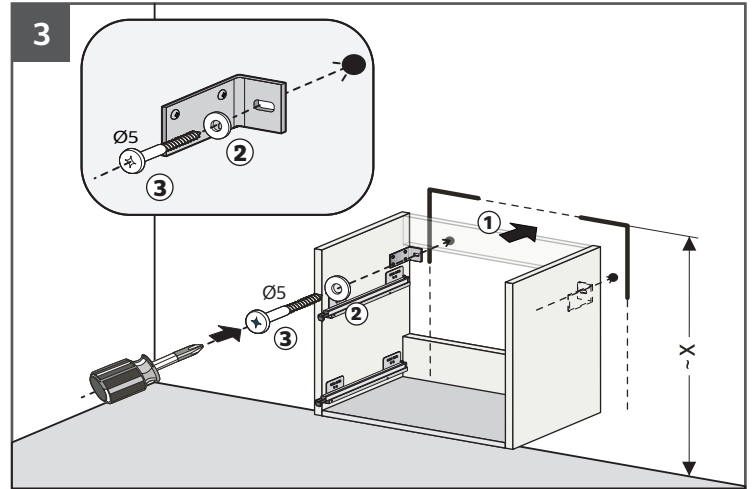
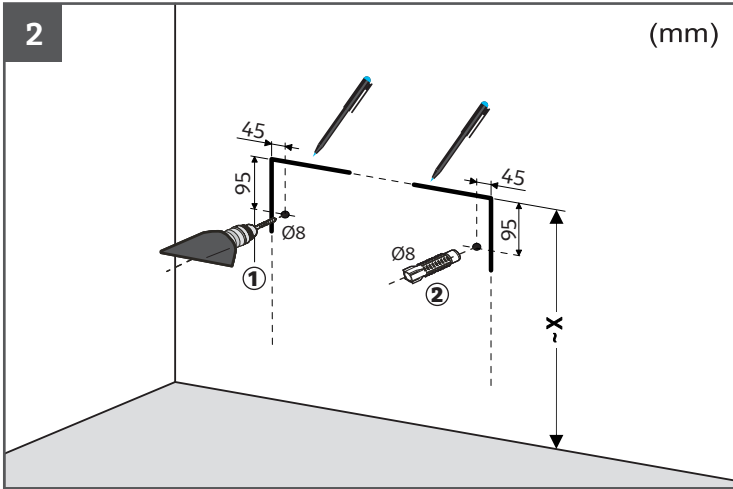


1





**CUBE346602Z\*\*BU**    **CUBE346603Z\*\*BU**  
**CUBE346802Z\*\*BU**    **CUBE346803Z\*\*BU**  
**CUBE3461002Z\*\*BU**    **CUBE3461003Z\*\*BU**  
**CUBE3461202Z\*\*BU**    **CUBE3461203Z\*\*BU**



SAT® is registered trademark of



Swiss Aqua Technologies AG  
 Gewerbestrasse 9, 6330 Cham, Switzerland  
[www.swatec.ch](http://www.swatec.ch)  
 Imported by SIKO KOUPELNY a.s.  
 Made in Czech Republic

