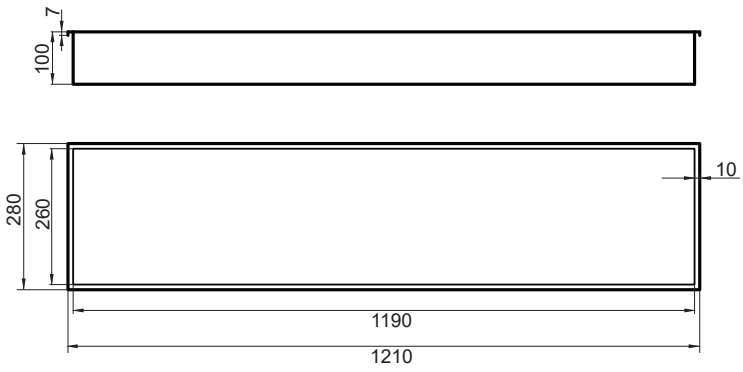


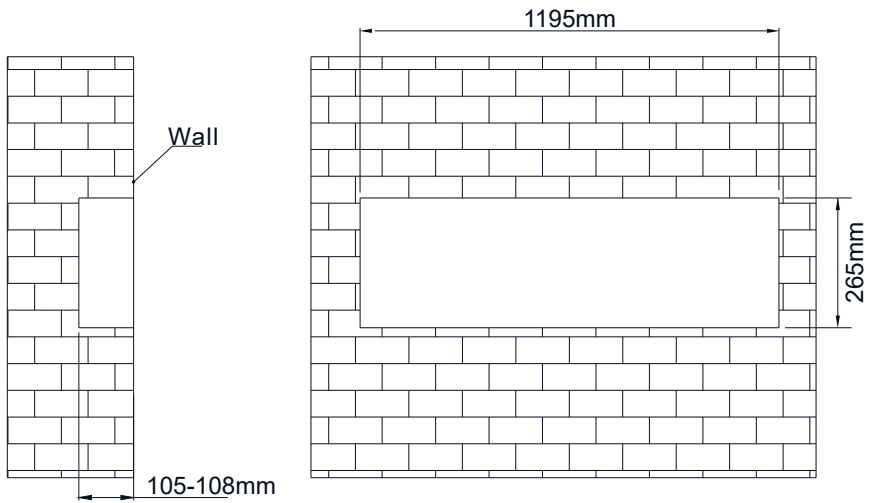


**SATAURN12128BS**  
**SATAURN12128BG**  
**SATAURN12128BRG**  
**SATAURN12128BGM**  
**SATAURN12128MB**

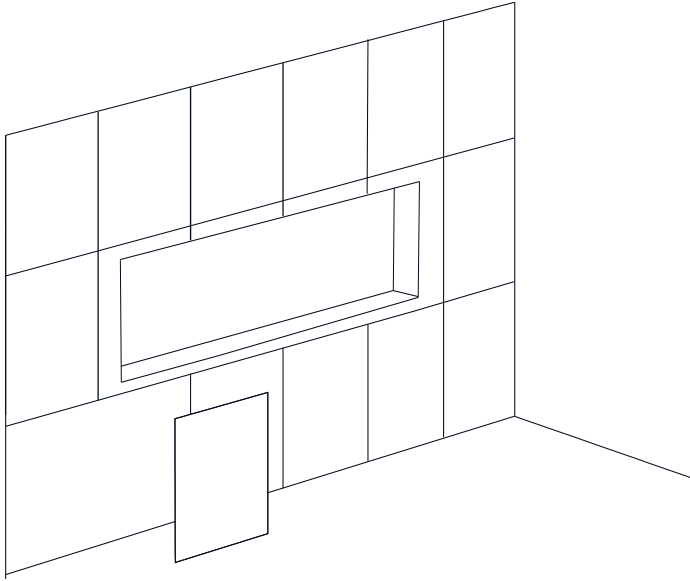




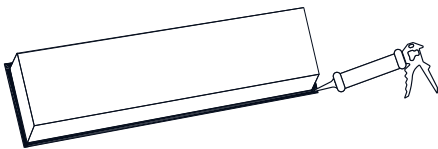
1



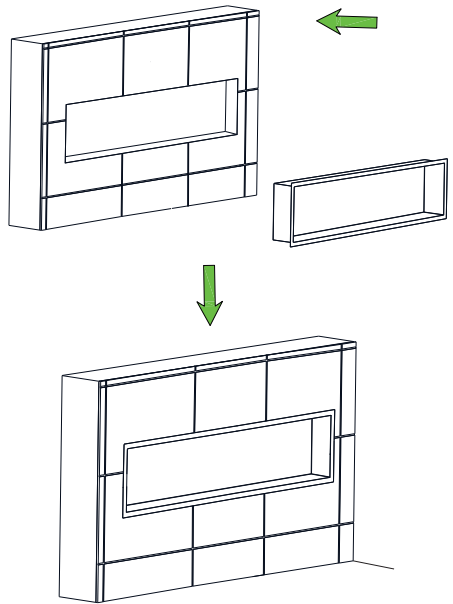
2



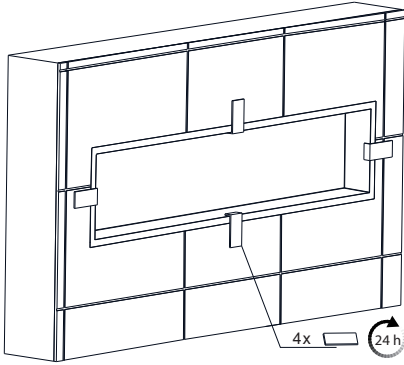
3



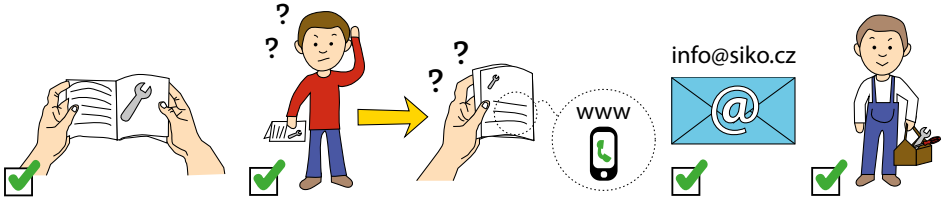
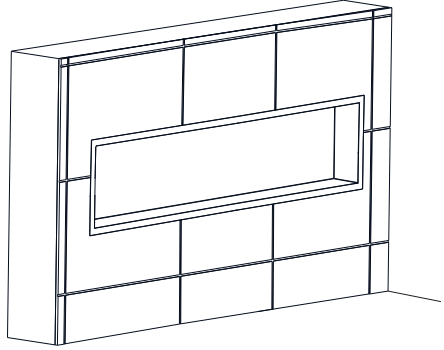
4



5

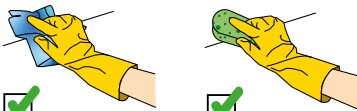


6



info@siko.cz

www



SAT® is registered trademark of



**Swiss  
Aqua  
Technologies**

**Swiss Aqua Technologies AG**  
Gewerbestrasse 9, 6330 Cham, Switzerland  
[www.swatec.ch](http://www.swatec.ch)  
Imported by SIKO KOUPELNY a.s.  
Made in P.R.C.