

Sanitary Systems

**Elegant Neo GDO1N**

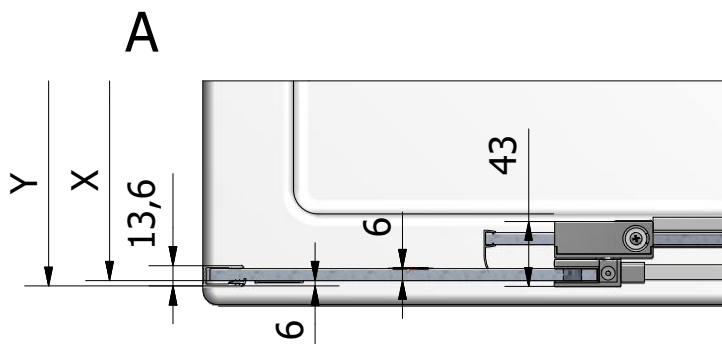
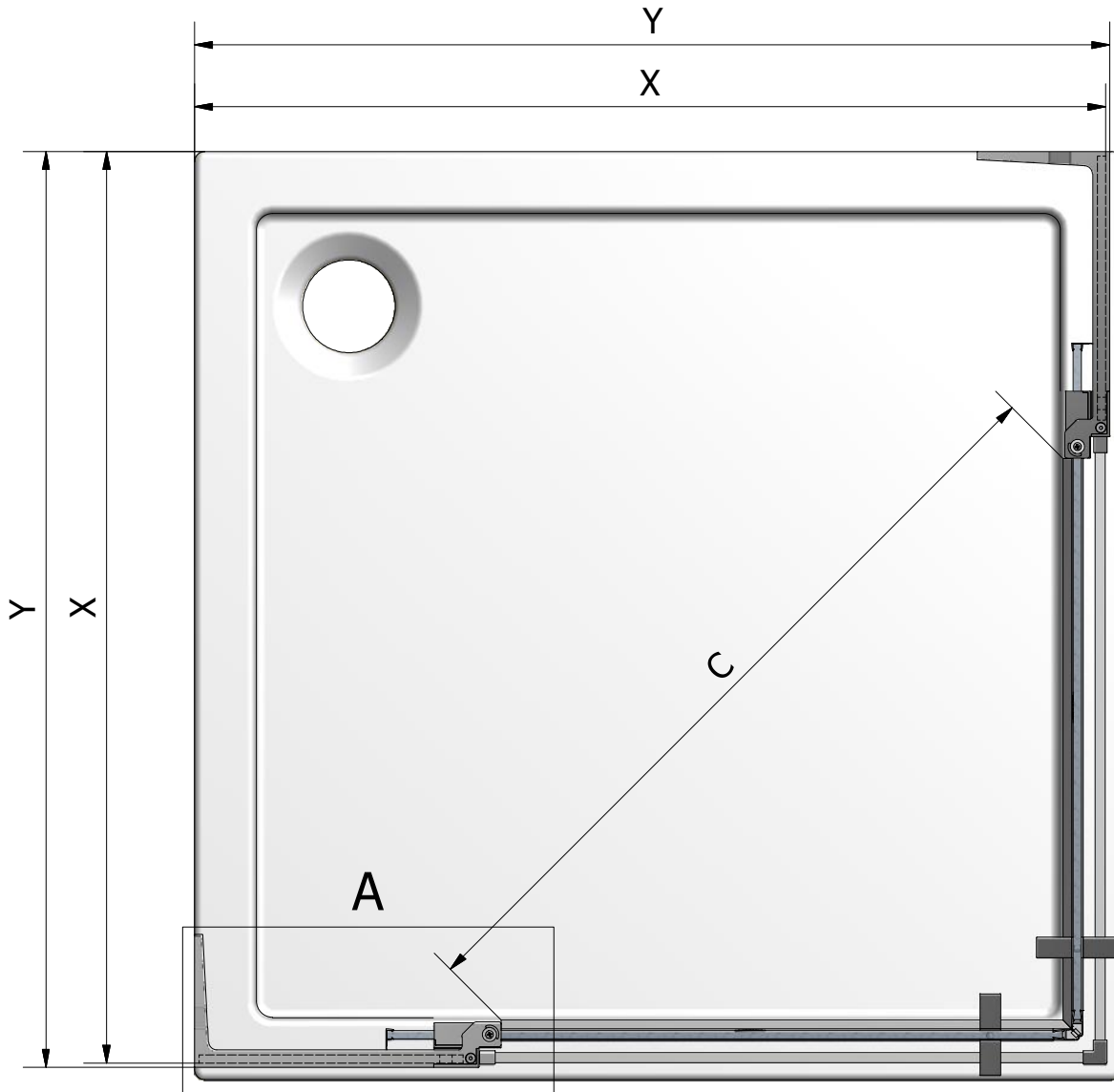
**Roth**

**Montageanleitung  
Assembling Instruction  
Montážní návod**



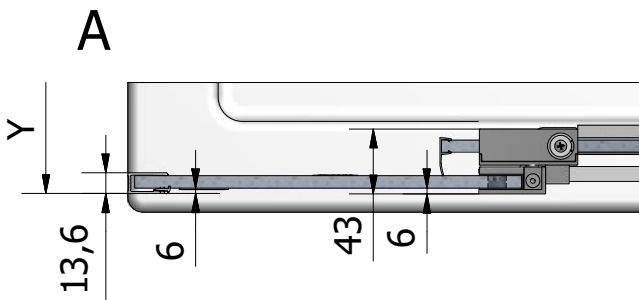
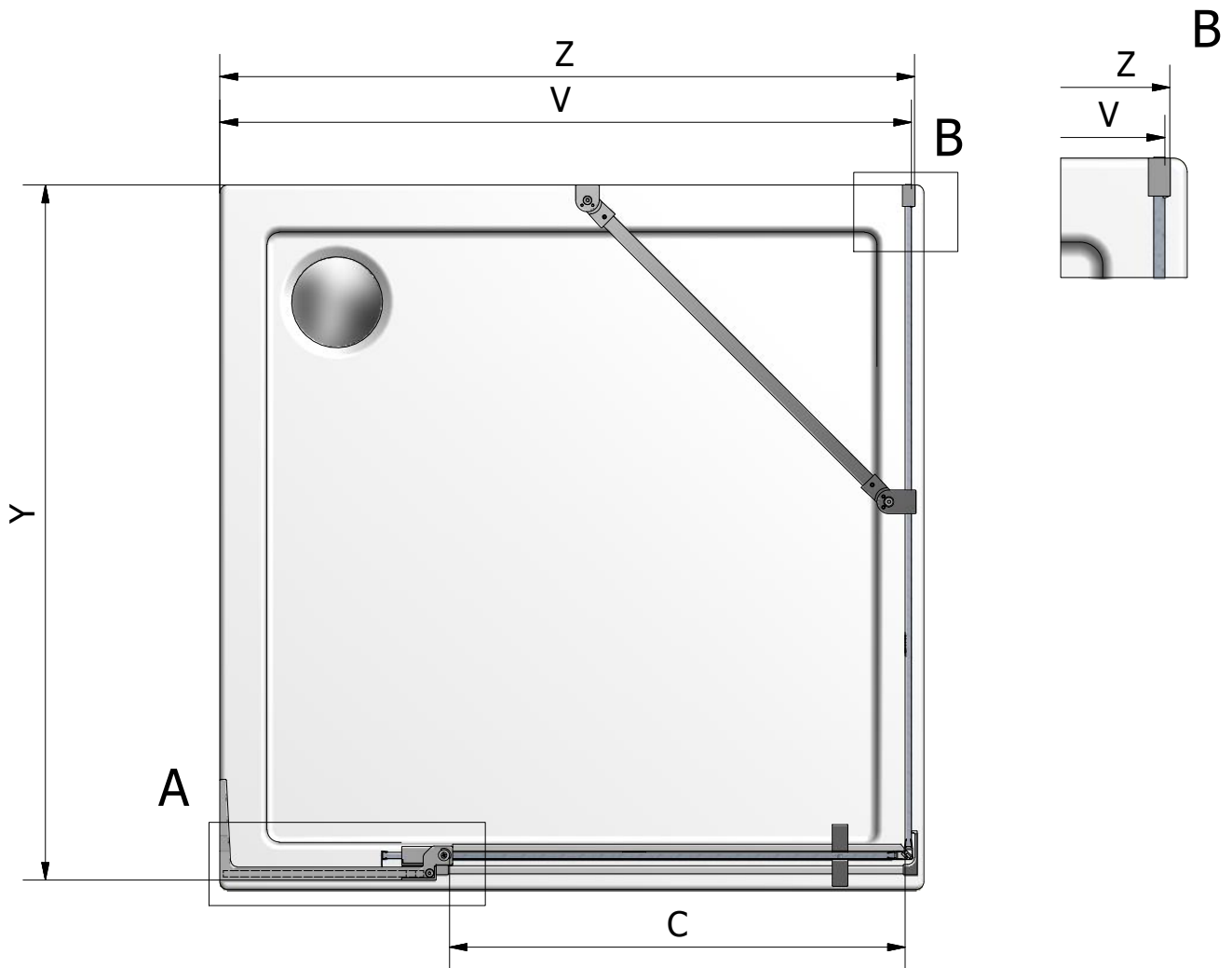
*Shower for life*

# GDO1N+GDO1N



| GDO1N + GDO1N |           |                          |                      |
|---------------|-----------|--------------------------|----------------------|
| Size [mm]     | X         | Installation size Y [mm] | Entrance size C [mm] |
| 700-800       | 679-779   | 685-785                  | 510-650              |
| 800-900       | 779-879   | 785-885                  | 650-790              |
| 900-1000      | 879-979   | 885-985                  | 790-930              |
| 1000-1100     | 979-1079  | 985-1085                 | 930-1070             |
| 1100-1200     | 1079-1179 | 1085-1185                | 1070-1210            |

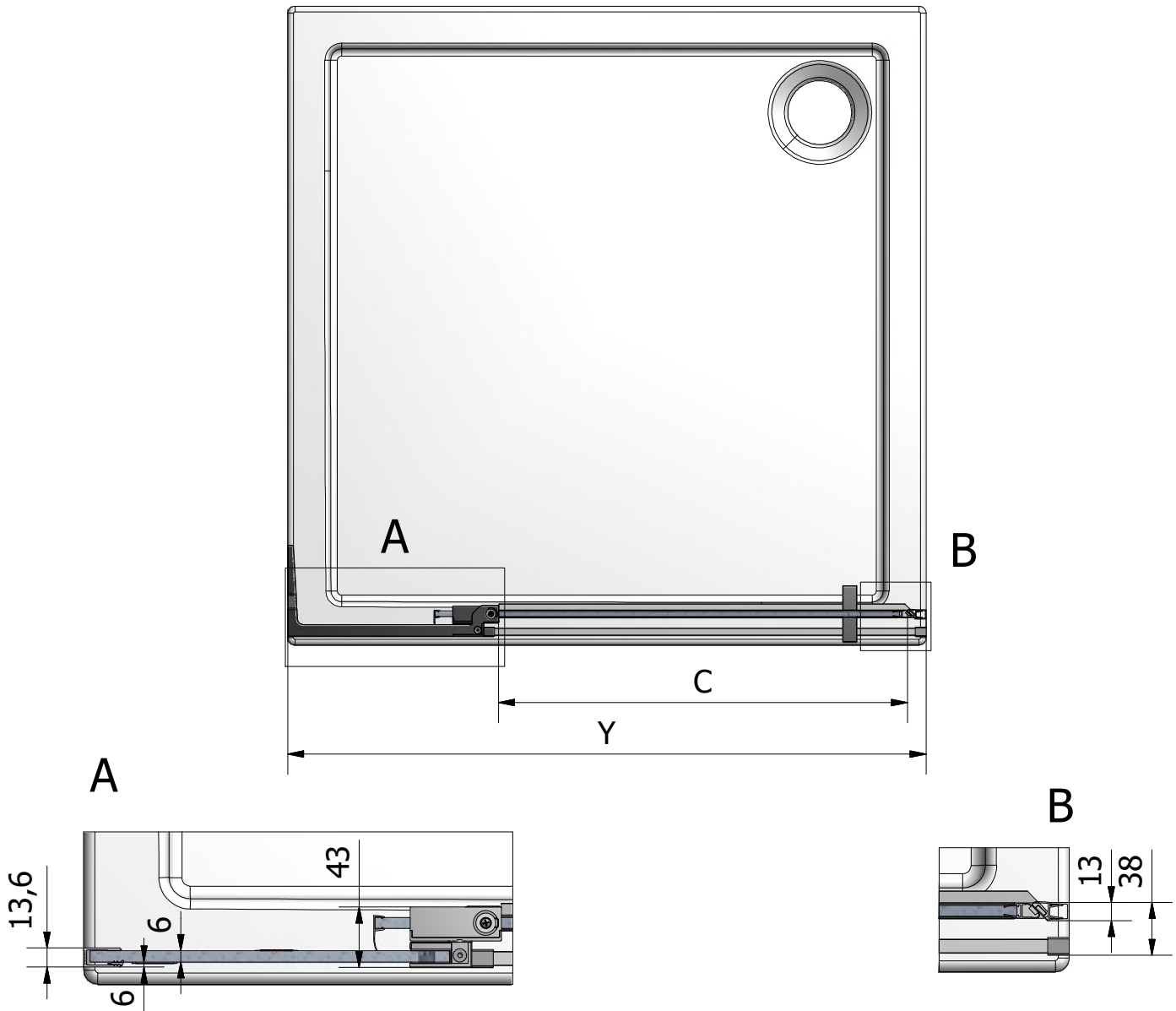
# GDO1N+GBN



| GBN       |                          |
|-----------|--------------------------|
| Size [mm] | Installation size Y [mm] |
| 800       | 775-785                  |
| 900       | 875-885                  |
| 1000      | 975-985                  |

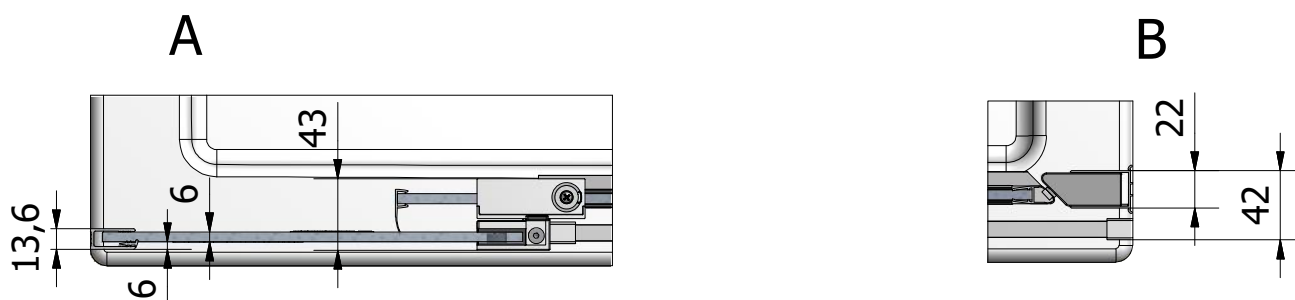
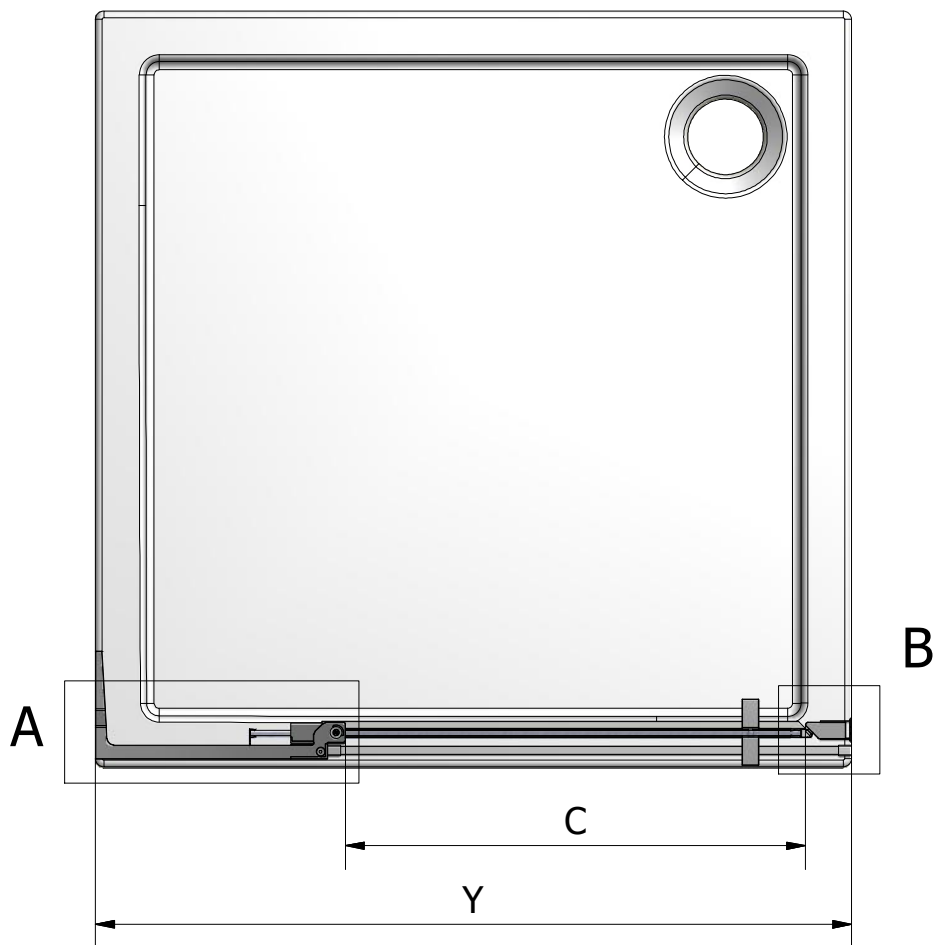
| GDO1N+GBN |                          |           |                 |
|-----------|--------------------------|-----------|-----------------|
| Size [mm] | Installation size V [mm] | Z         | Entrance size C |
| 700-800   | 685-785                  | 691-791   | 380-480         |
| 800-900   | 785-885                  | 791-891   | 480-580         |
| 900-1000  | 885-985                  | 891-991   | 580-680         |
| 1000-1100 | 985-1085                 | 991-1091  | 680-780         |
| 1100-1200 | 1085-1185                | 1091-1191 | 780-880         |

# GDO1N+GZ



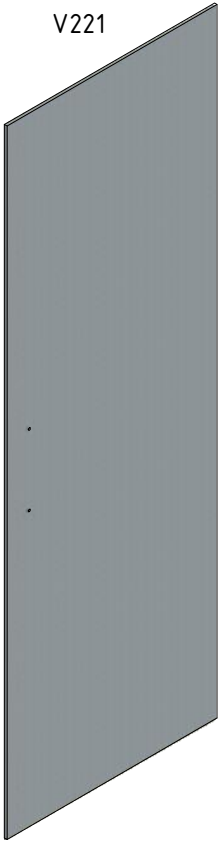
| GDO1N + GZ (Id. 190-0000000-00) |           |                      |
|---------------------------------|-----------|----------------------|
| Size [mm]                       | Y         | Entrance size C [mm] |
| 700-800                         | 685-785   | 360-460              |
| 800-900                         | 785-885   | 460-560              |
| 900-1000                        | 885-985   | 560-660              |
| 1000-1100                       | 985-1085  | 660-760              |
| 1100-1200                       | 1085-1185 | 760-860              |

# GDO1N+GZN



| GDO1N + GZN (Id. 191-0000000-00) |           |                      |
|----------------------------------|-----------|----------------------|
| Size [mm]                        | Y         | Entrance size C [mm] |
| 700-800                          | 685-825   | 340-460              |
| 800-900                          | 785-925   | 440-560              |
| 900-1000                         | 885-1025  | 540-660              |
| 1000-1100                        | 985-1125  | 640-760              |
| 1100-1200                        | 1085-1225 | 740-860              |

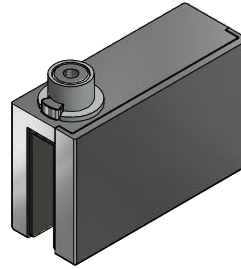
1. 1x  
V221



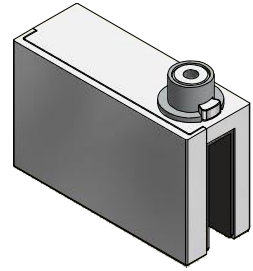
2. 1x  
V220



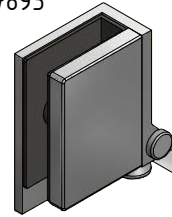
3. 1x LEFT  
MA7891



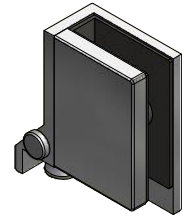
4. 1x RIGHT  
MA7890



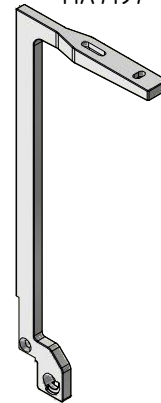
5. 1x LEFT  
MA7893



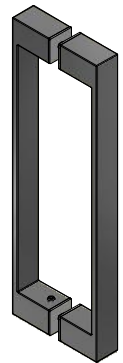
6. 1x RIGHT  
MA7892



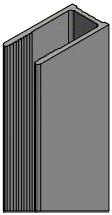
10. 1x  
MA7197



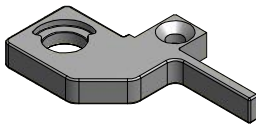
11. 1x  
MA7196



7. 1x  
MA7187



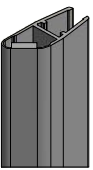
8. 1x  
MA7198



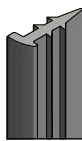
9. 1x  
MA7203



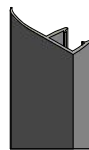
12. 1x  
MA7185



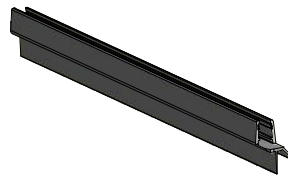
13. 1x  
MA7186



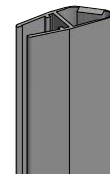
14. 1x  
MA7193



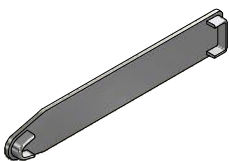
15. 2x  
ND01-2420



16. 1x  
MA8019



17. 1x  
MA7209



18. 1x  
MA7211

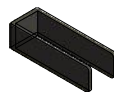


USE ONLY FOR  
GDO1N+GDO1N  
VARIANT

19. 2x  
MA7210



20. 1x  
MA7215



21. 5x  
M0511



22. 5x  
M0811



23. 4x  
M0827



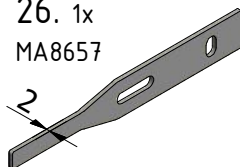
24. 2x  
MA7222



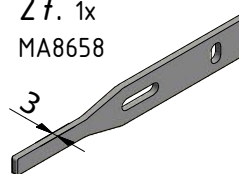
25. 2x  
MA7224



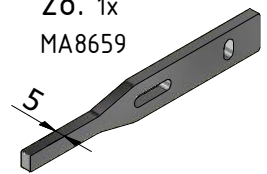
26. 1x  
MA8657

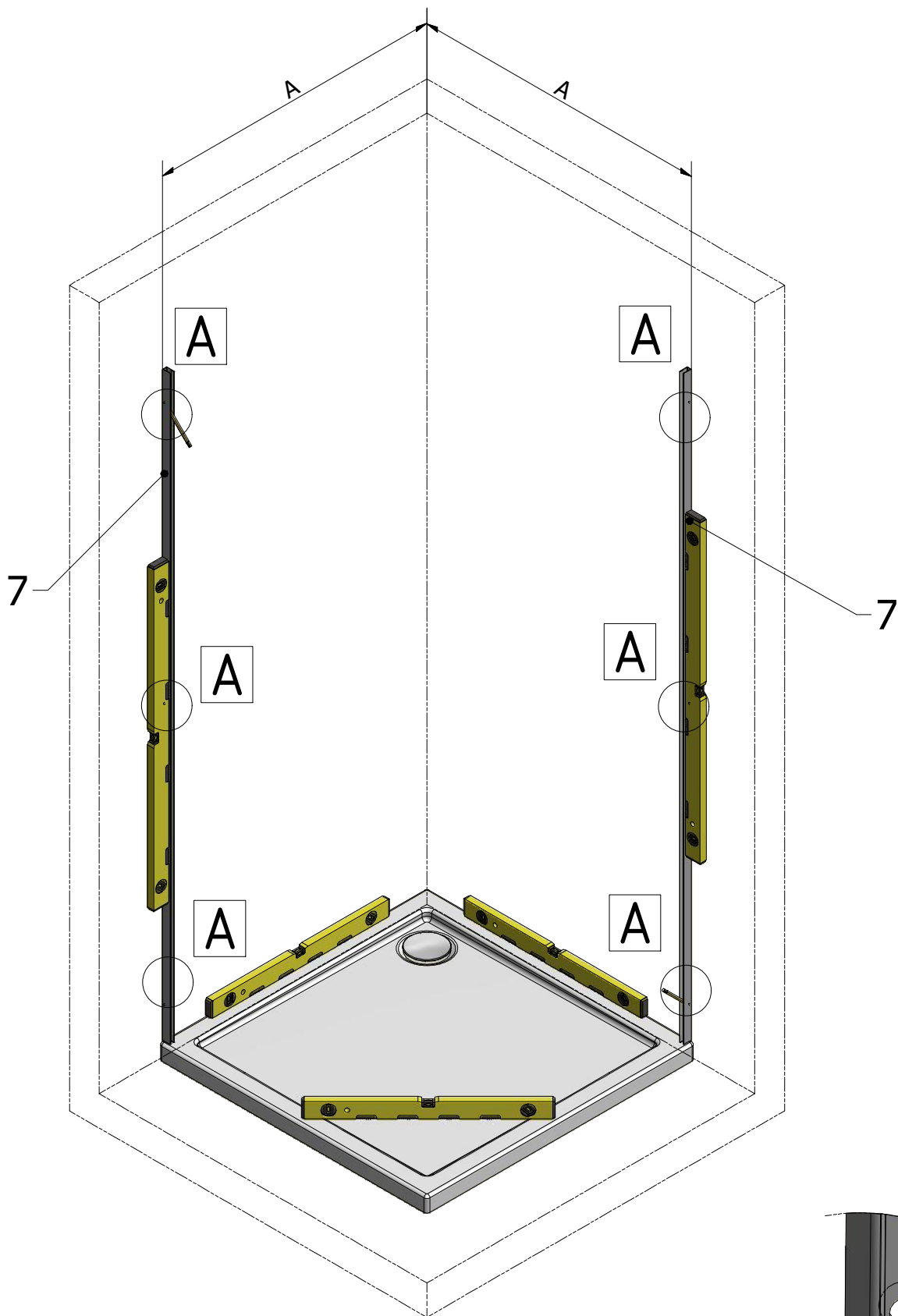


27. 1x  
MA8658



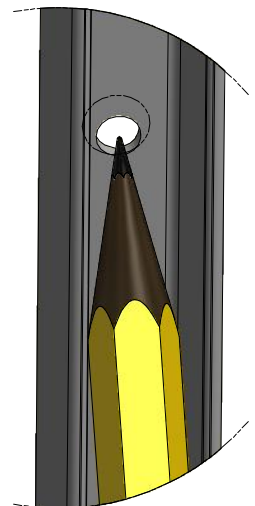
28. 1x  
MA8659



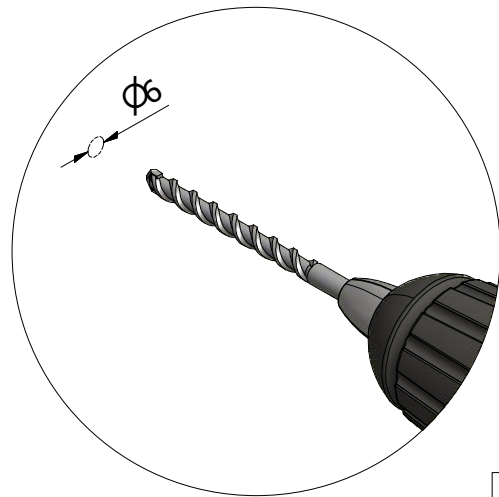
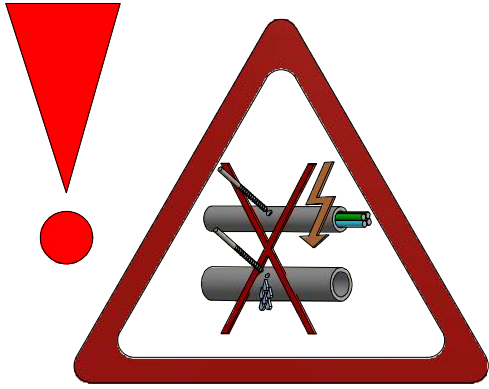


A

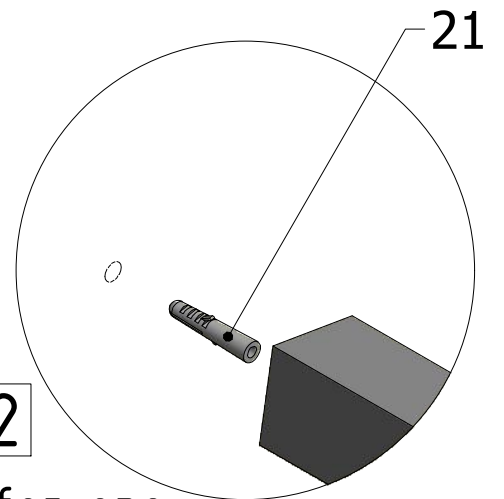
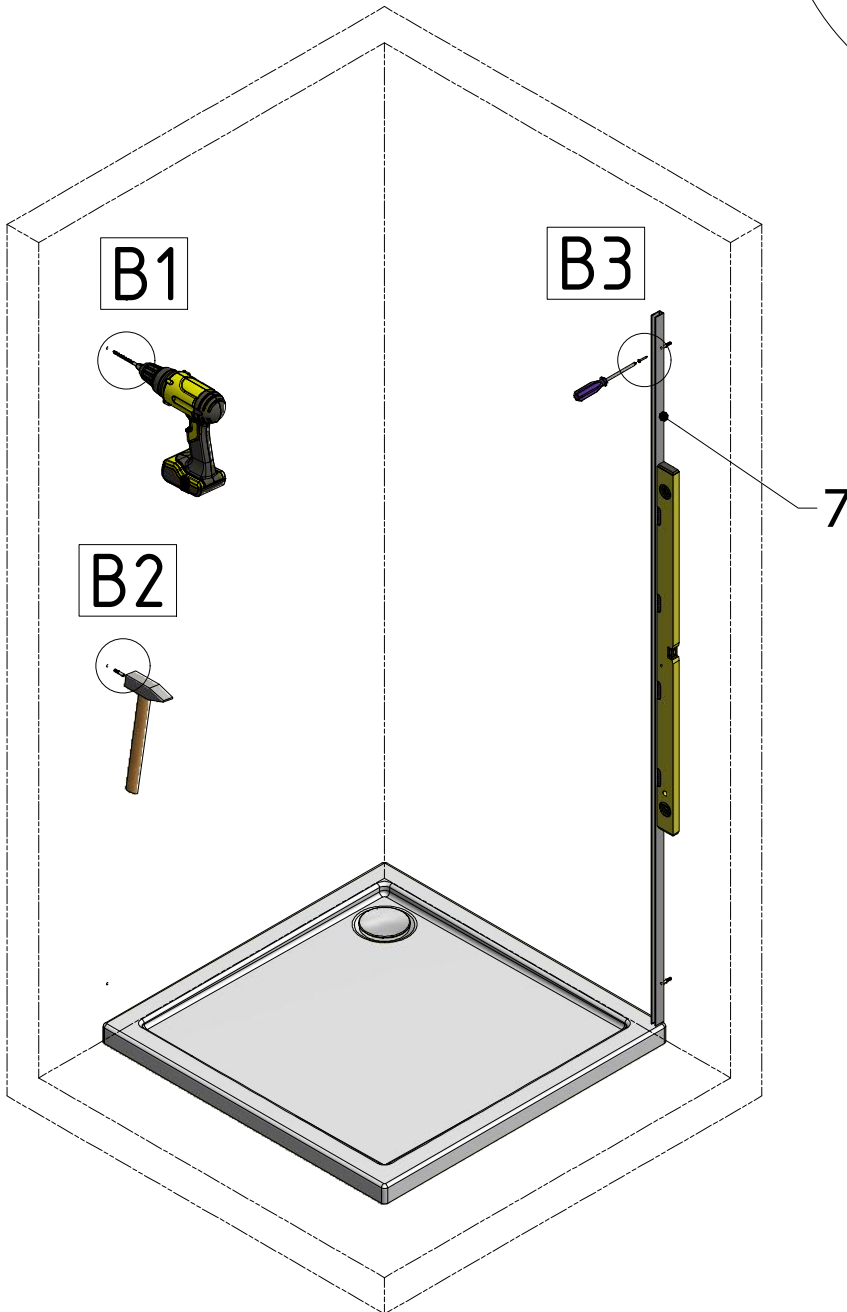
3x for one  
GD01N set



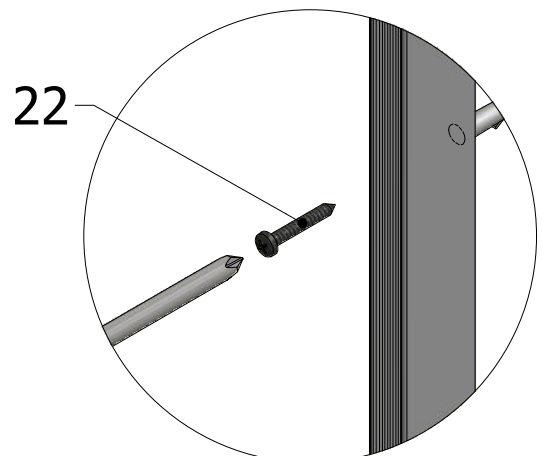




3x for one **B1**  
GD01N set

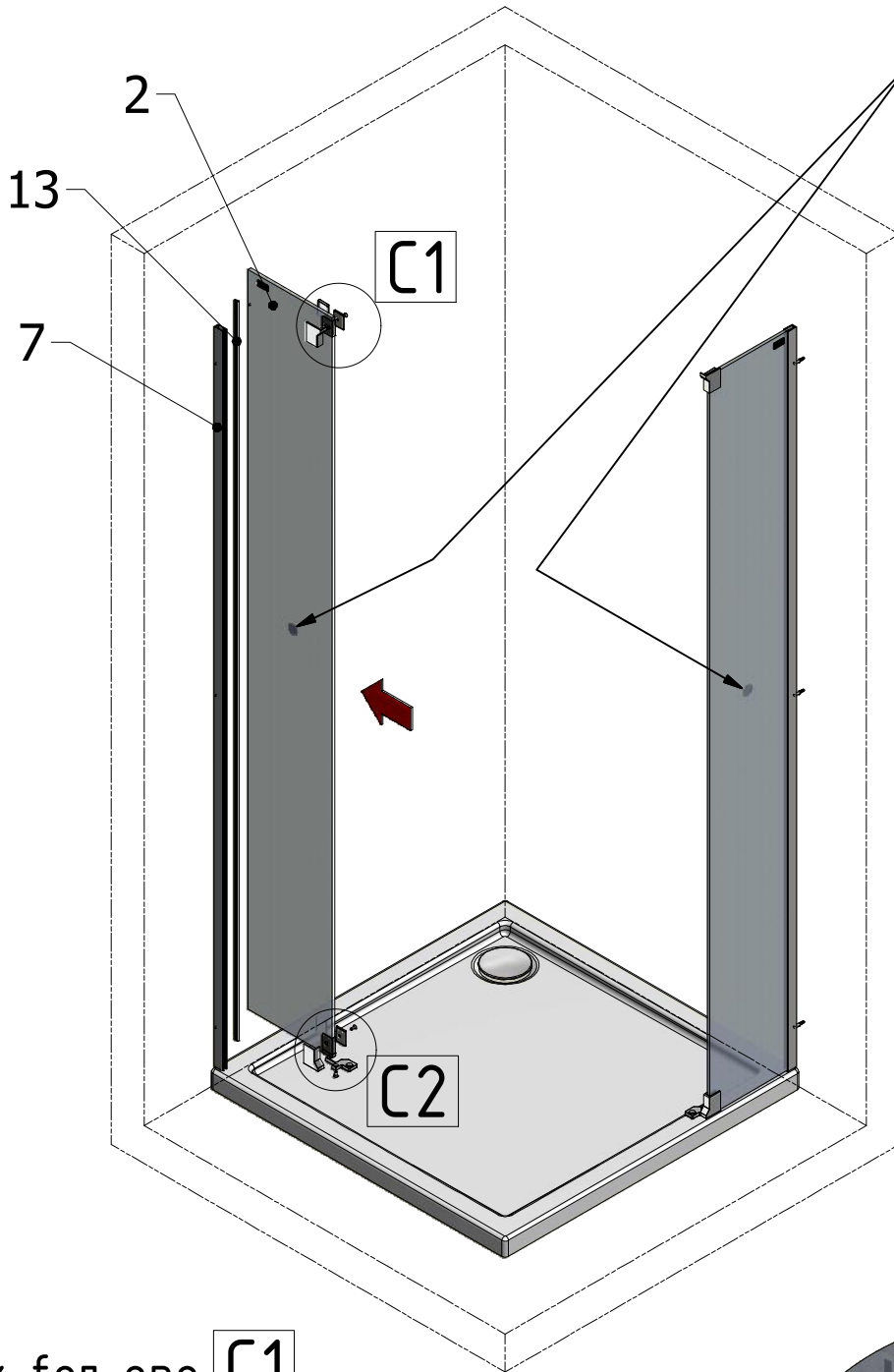


**B2**  
3x for one  
GD01N set



**B3**  
3x for one  
GD01N set



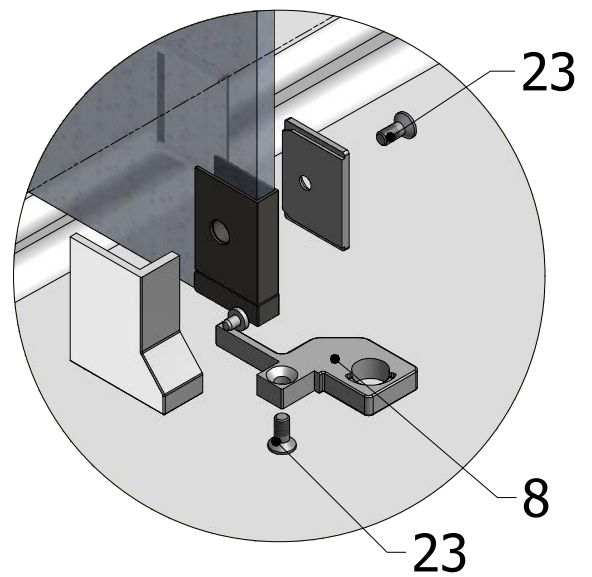
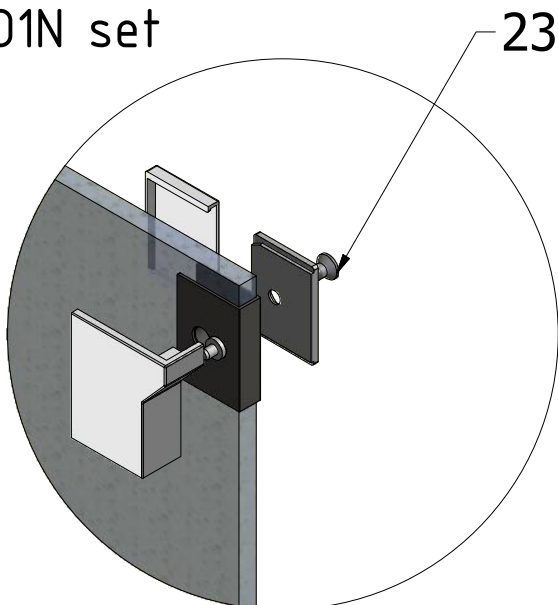


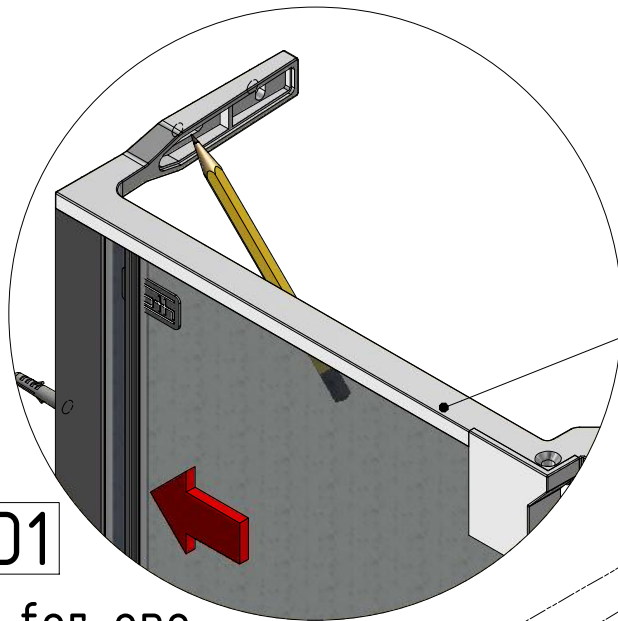
ETC glass protection  
 (DE) Behandelten Seite (INNERE)  
 (FR) Face traitée (INTERIEUR)  
 (GB) Treated side (INTERIOR)  
 (CZ) Ošetřená strana (INTERIÉR)



1x for one **C2**  
 GD01N set

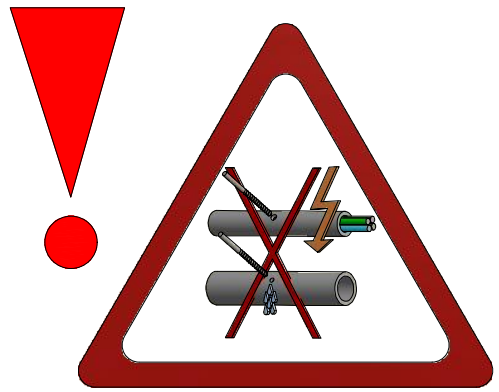
1x for one **C1**  
 GD01N set



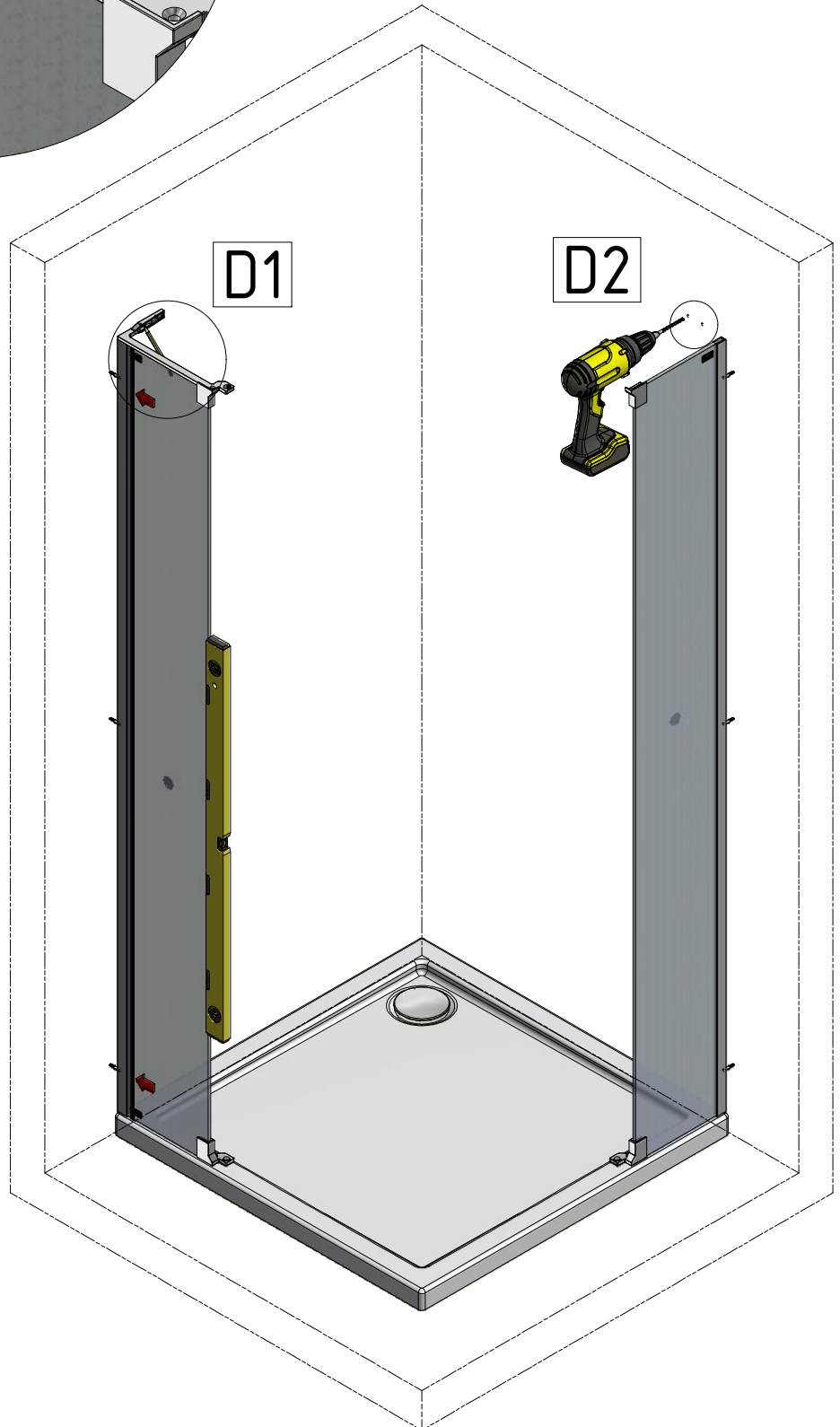


D1

2x for one  
GD01N set

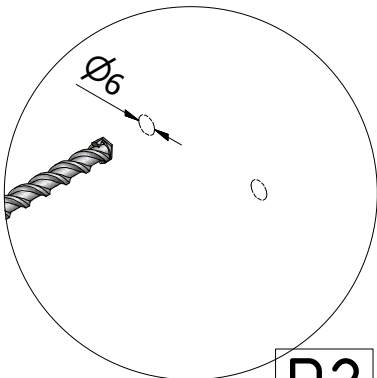


6

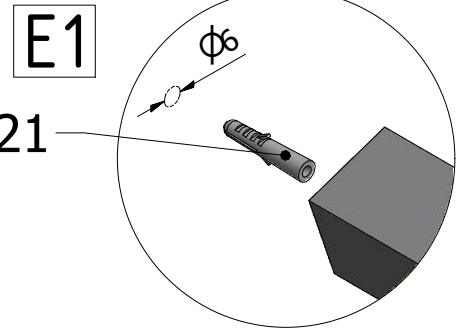
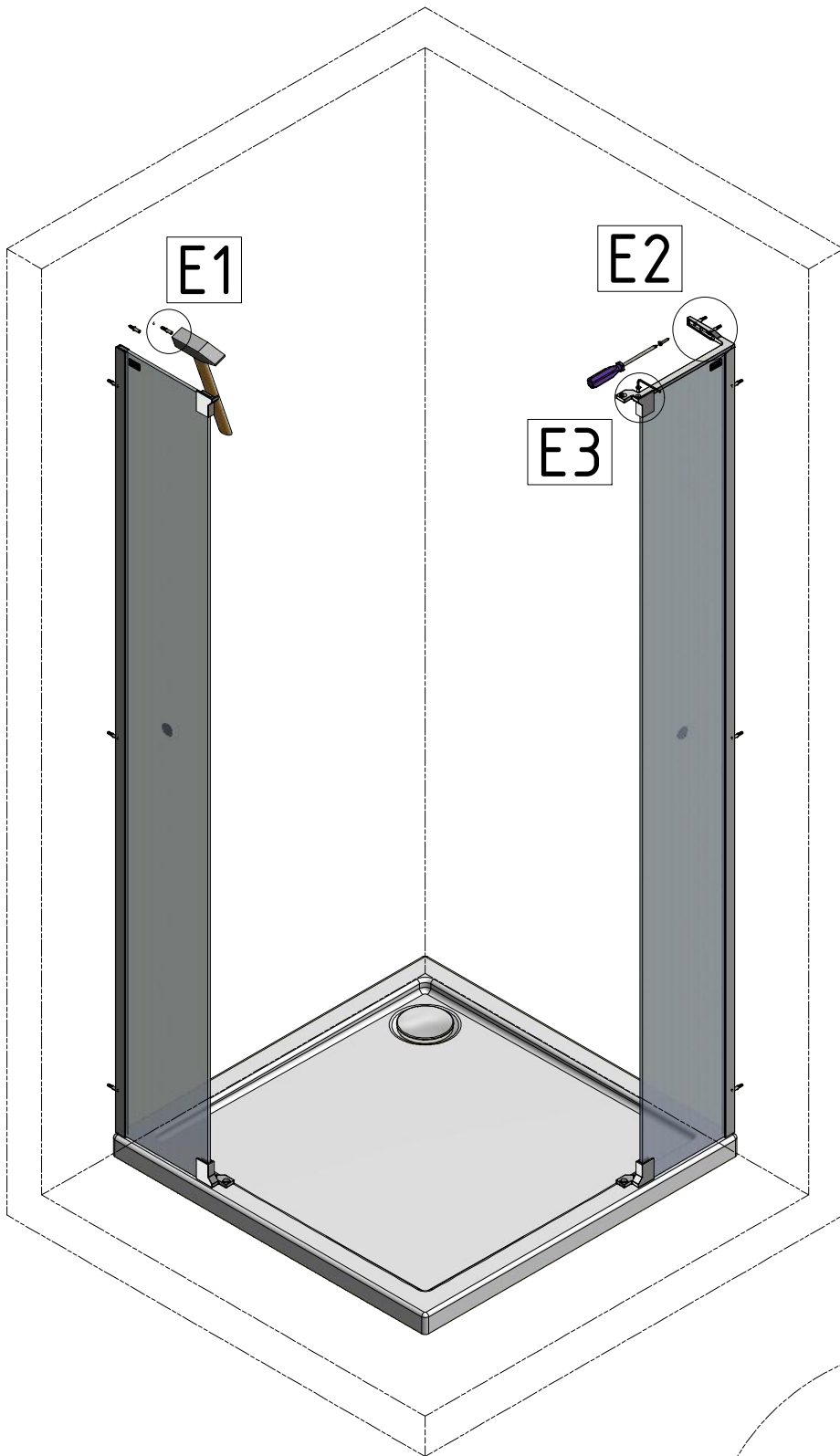


D1

D2



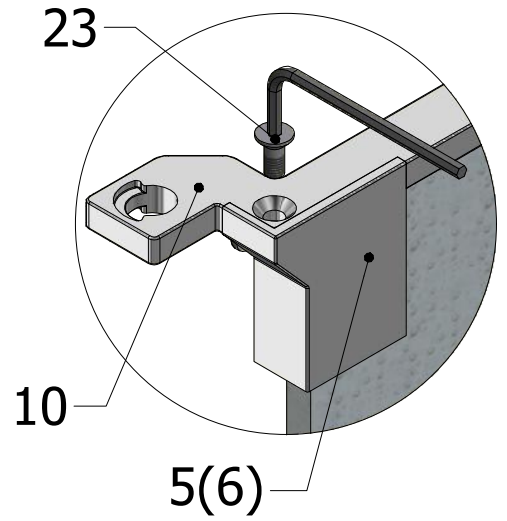
2x for one **D2**  
GD01N set



21

2x for one  
GD01N set

E3 1x for one  
GD01N set



23

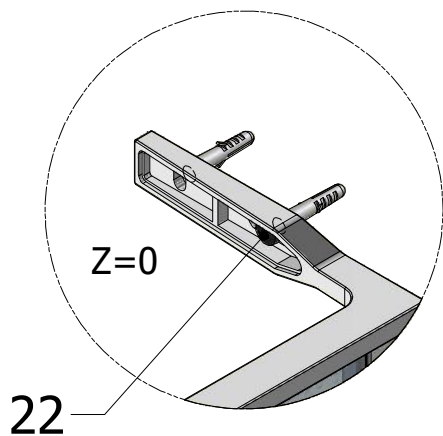
10

5(6)

26 (Z=2mm)

27 (Z=3mm)

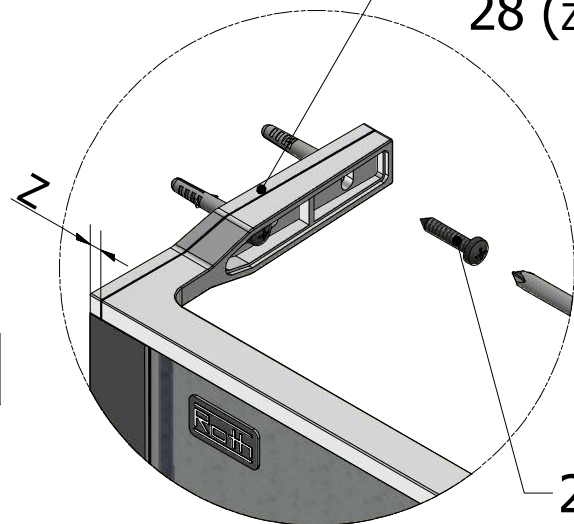
28 (Z=5mm)



Z=0

22

E2



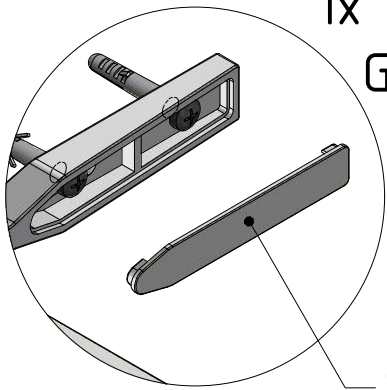
Z=max 10mm

22

2x for one  
GD01N set

# GDO1N+GDO1N

1x for one  
GDO1N set

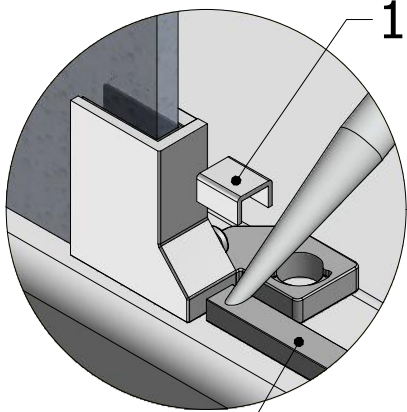


F1

17

1x for one  
GDO1N set

F2

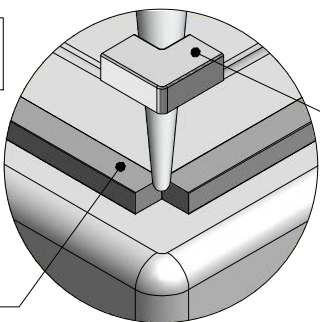


19

9

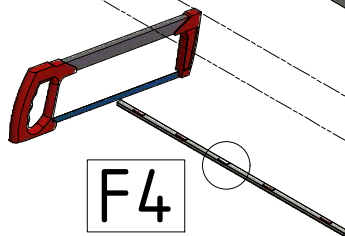
Use only for  
2x GDO1N  
variant

F3

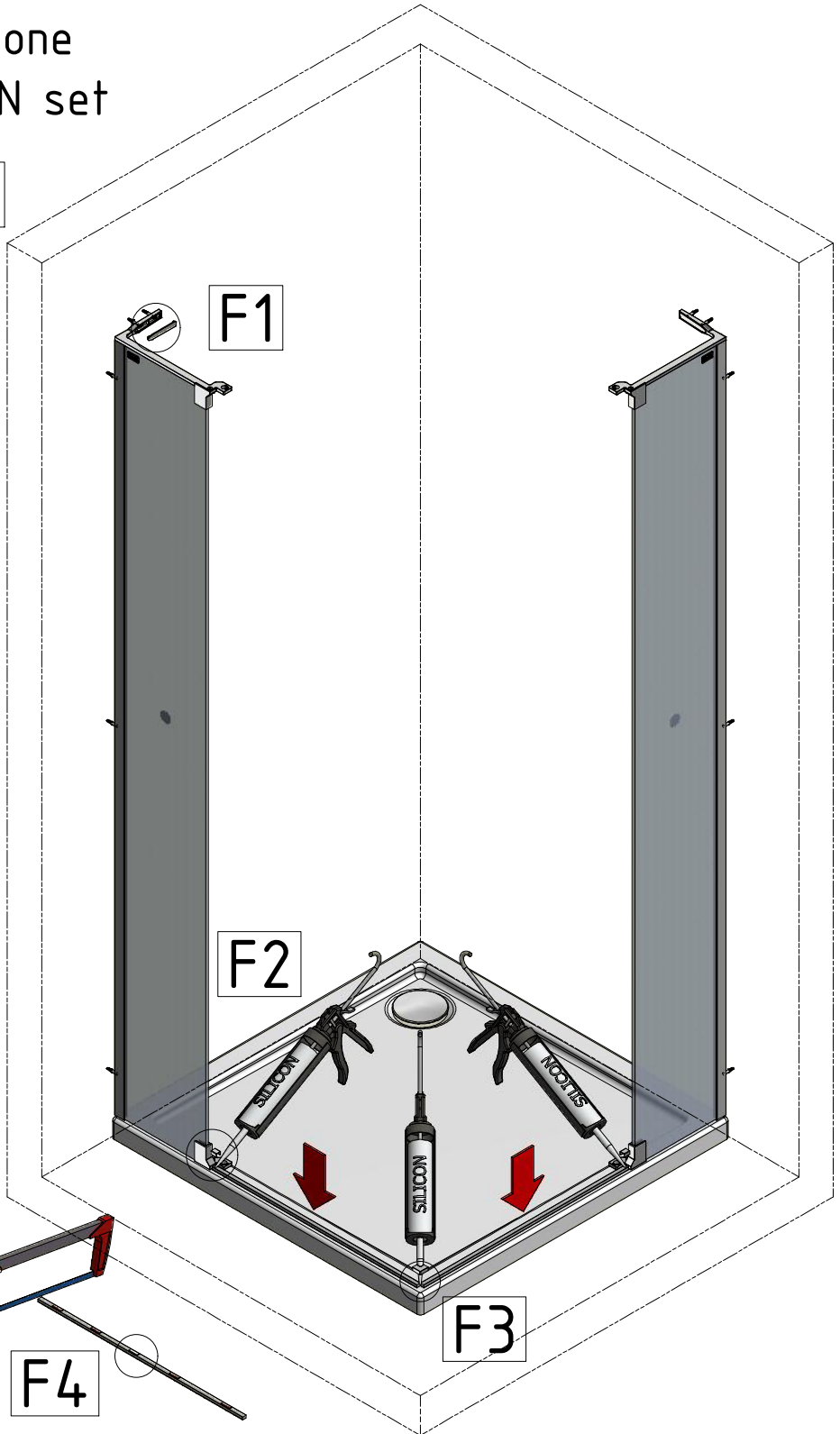


18

9



F4

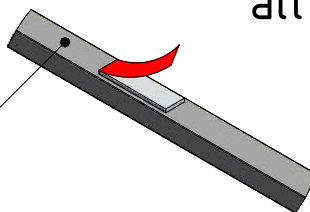


F2

F3

Before installing remove  
all sticker's cover

9

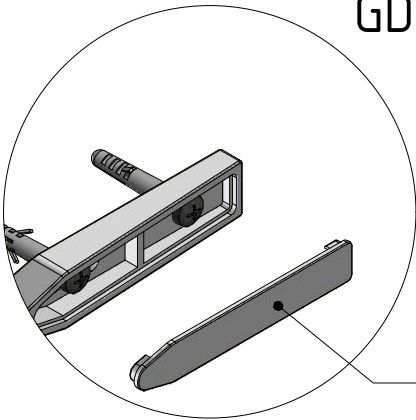


F4

# GDO1N+GBN

1x for one  
GDO1N set

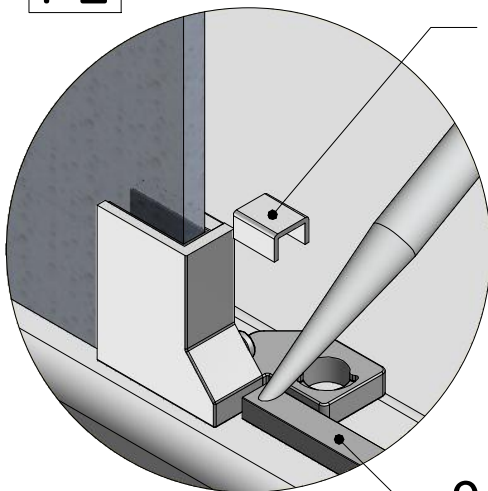
F1



17

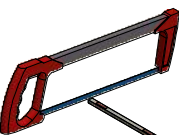
1x for one  
F2 GDO1N set

F2



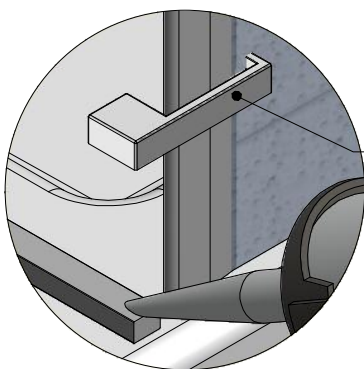
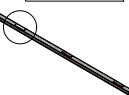
19

Use only for  
GDO1N +GBN  
variant

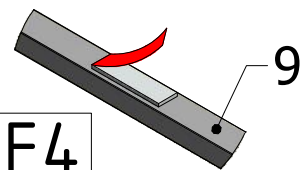


F3

F4



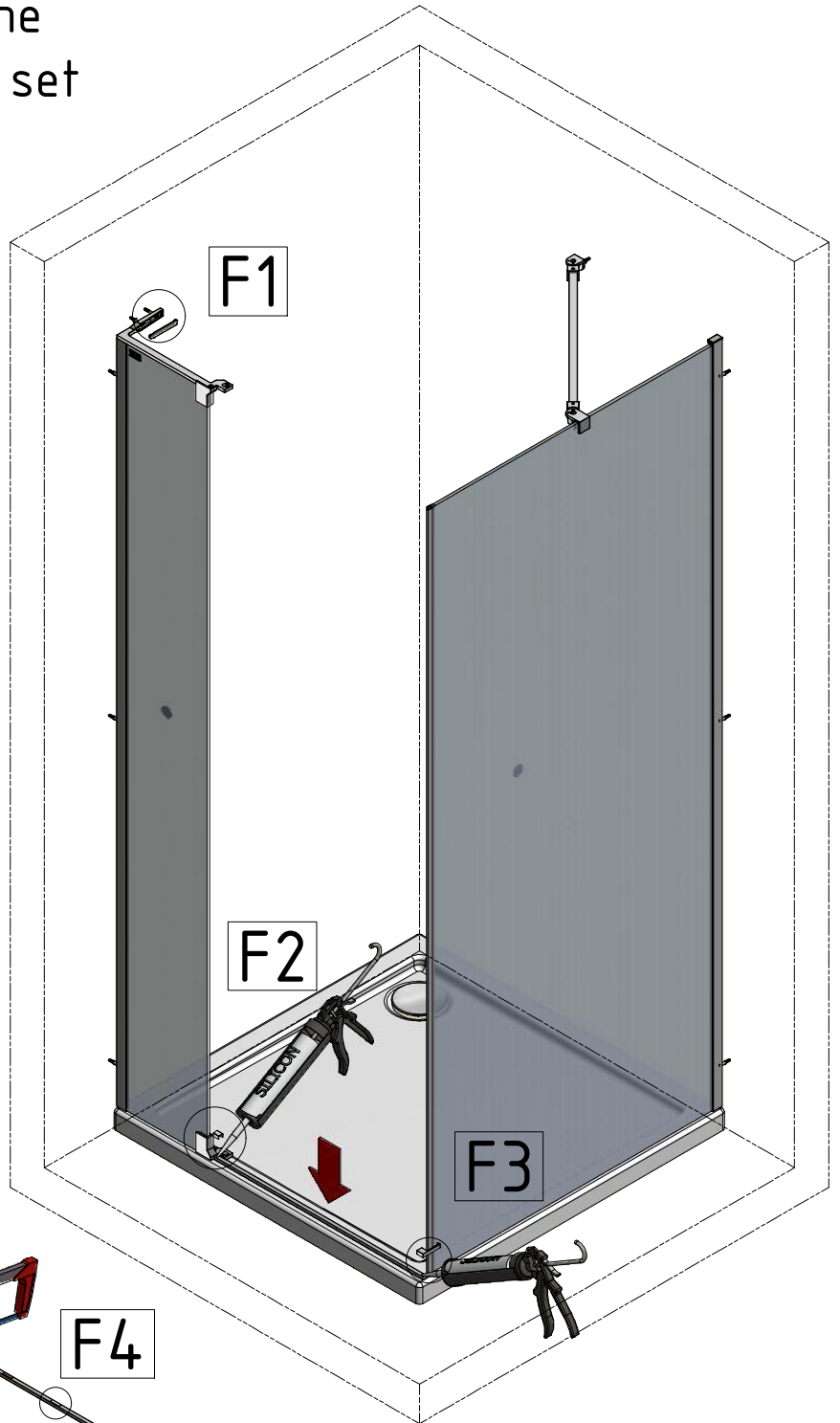
Part of GBN  
Use only for  
GDO1N+GBN  
variant



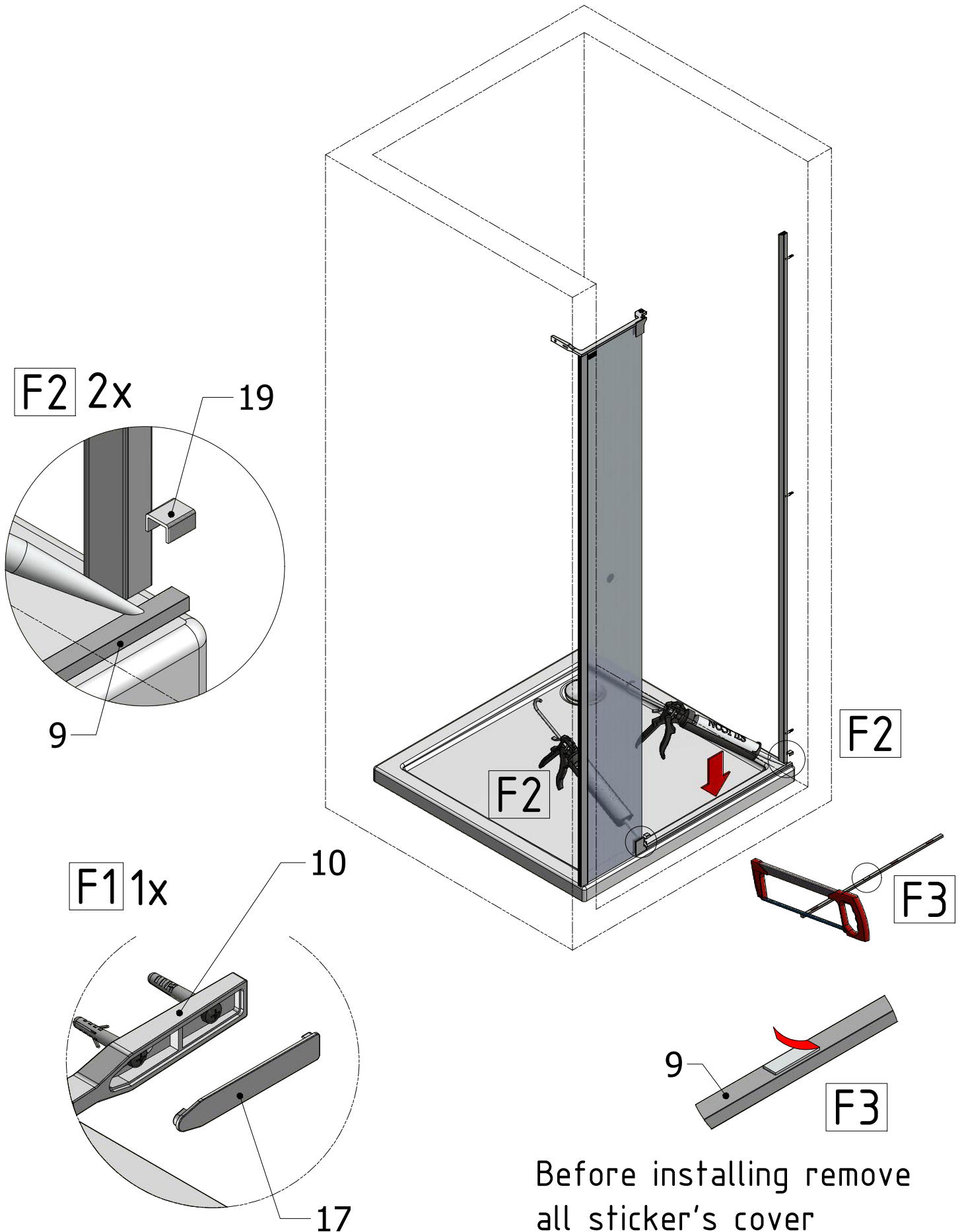
F4

9

Before installing remove  
all sticker's cover

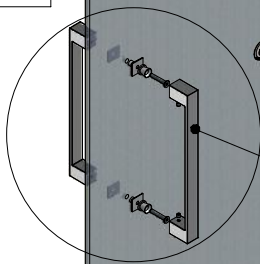


# GDO1N+GZ (GZN)





G1



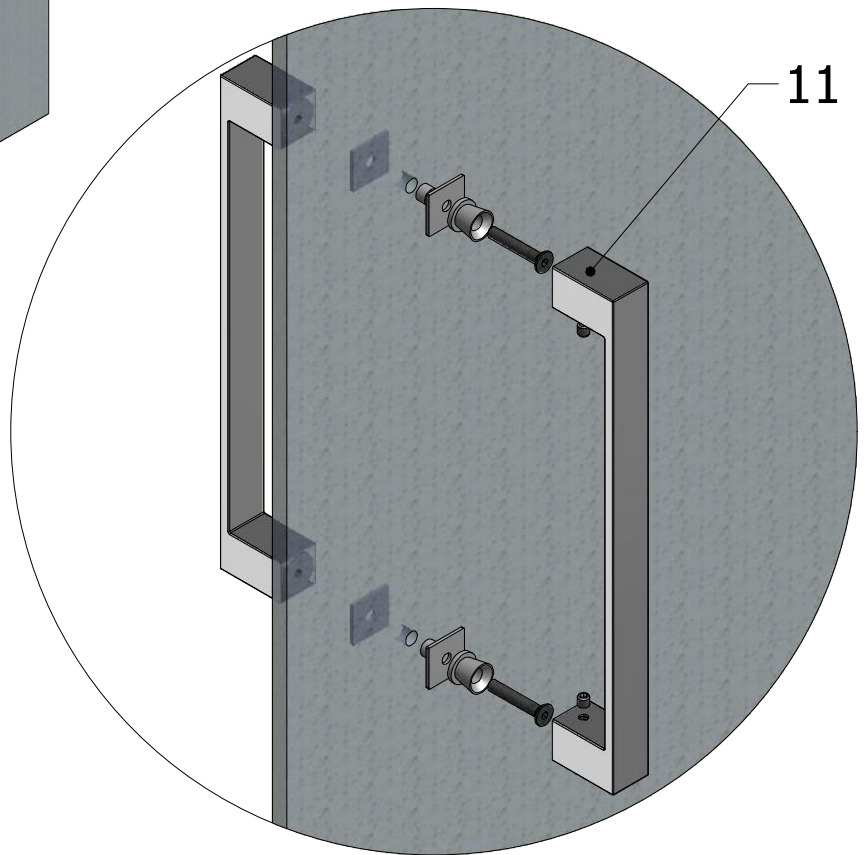
11

ETC glass protection  
(DE) Behandelten Seite (INNERE)  
(FR) Face traitée (INTERIEUR)  
(GB) Treated side (INTERIOR)  
(CZ) Ošetřená strana (INTERIÉR)



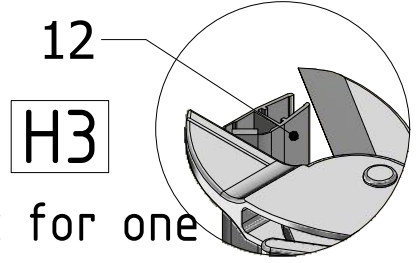
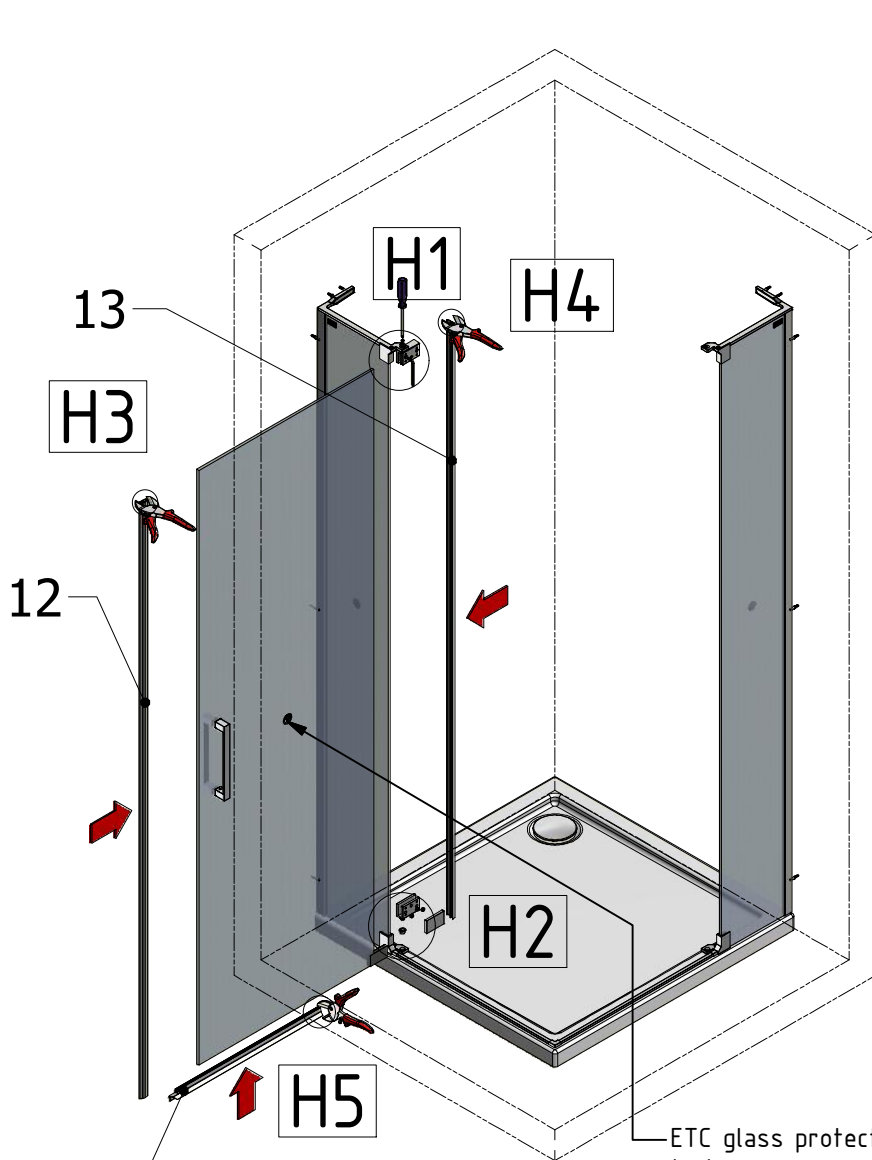
1x for one  
GD01N set

G1

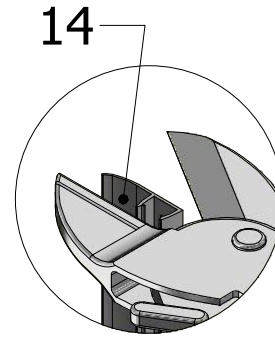


11

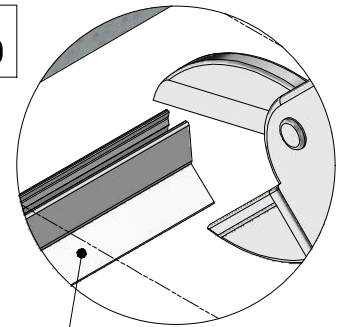




**H3**  
1x for one  
GD01N set



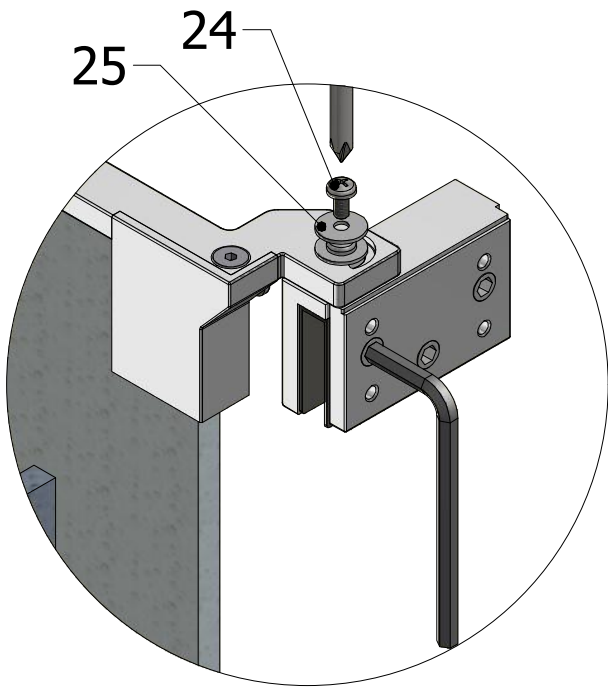
**H4**  
1x for one  
GD01N set



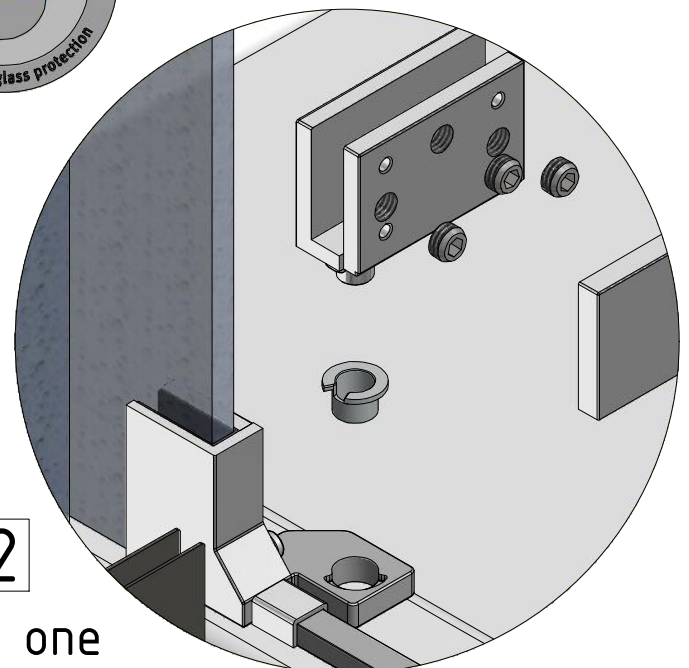
**H5**  
1x

**16 for right  
15 for left  
variant**

ETC glass protection  
(DE) Behandelten Seite (INNERE)  
(FR) Face traitée (INTERIEUR)  
(GB) Treated side (INTERIOR)  
(CZ) Ošetřená strana (INTERIÉR)

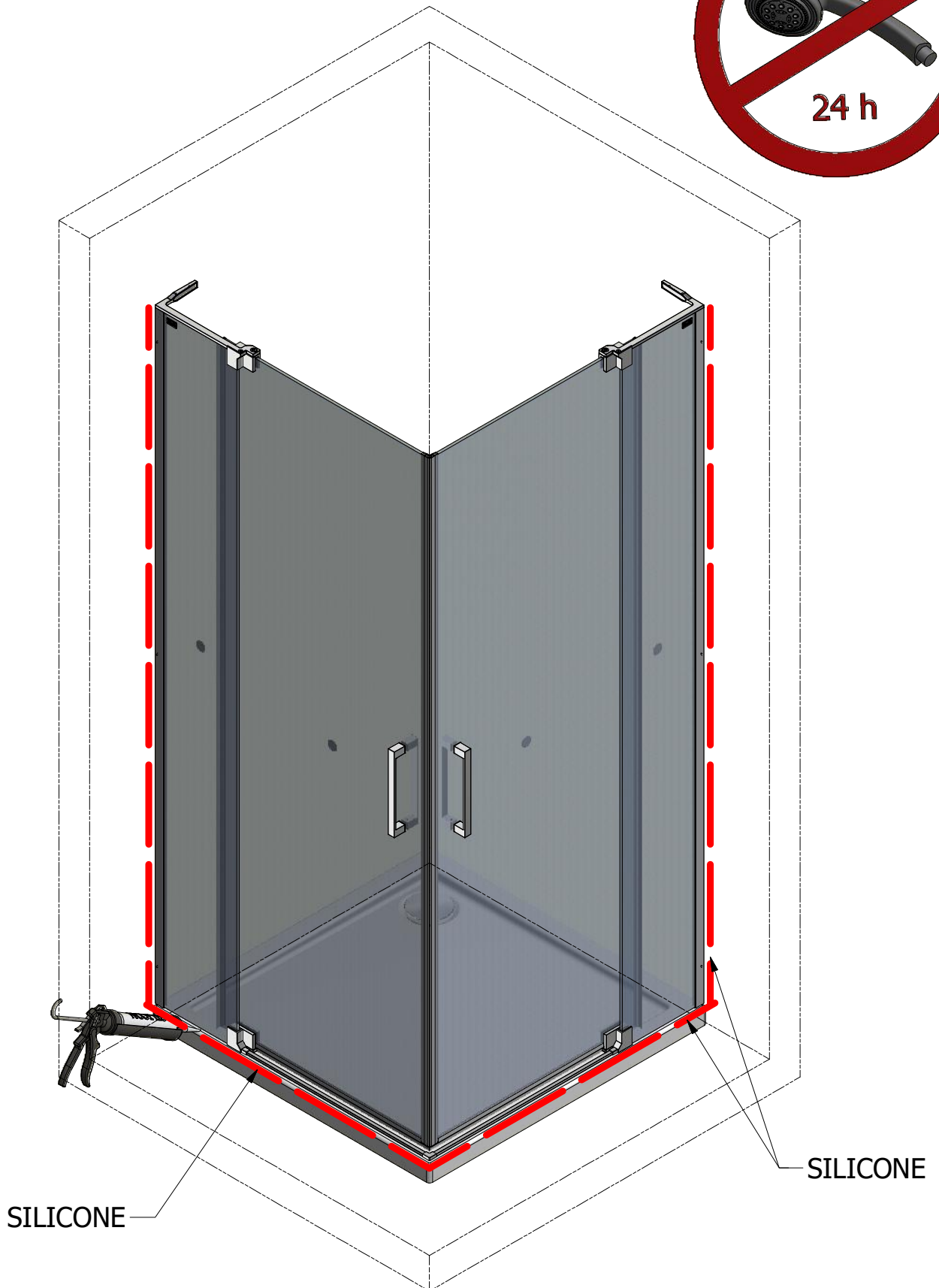


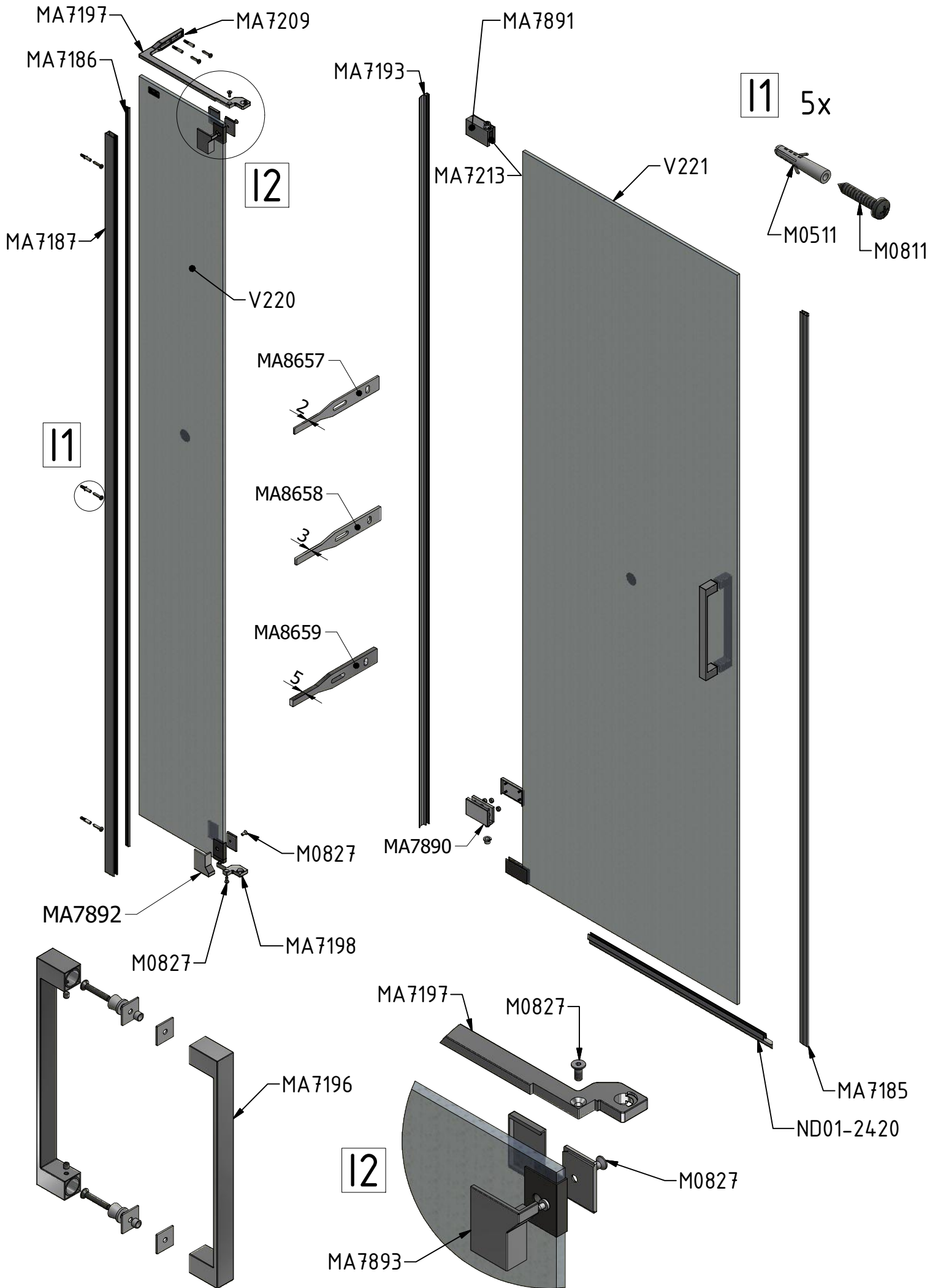
**H1**  
1x for one  
GD01N set



**H2**  
1x for one  
GD01N set

# GDO1N+GDO1N





|      |                        |             |           |
|------|------------------------|-------------|-----------|
| V220 | 800;900;1000;1100;1200 | Transparent | ND01-3621 |
|------|------------------------|-------------|-----------|

|      |      |             |           |
|------|------|-------------|-----------|
| V221 | 800  | Transparent | ND01-3622 |
|      | 900  |             | ND01-3623 |
|      | 1000 |             | ND01-3624 |
|      | 1100 |             | ND01-3625 |
|      | 1200 |             | ND01-3626 |



## Roth Energy and Sanitary Systems

### Generation

- > Solar systems
- > Heat pump systems
- > Solar heat pump systems

### Storage

- Storage systems for
- > Domestic & heating water
  - > Combustibles and biofuels
  - > Rainwater and waste water

### Application

- > Radiant heating and cooling systems
- > Pipe installation systems
- > Shower systems

# Roth

### ■ Deutschland

**ROTH WERKE GMBH**  
Am Seerain 2  
35232 Dautphetal  
Telefon: 06466/922-0  
Telefax: 06466/922-100  
E-Mail: [service@roth-werke.de](mailto:service@roth-werke.de)  
[www.roth-werke.de](http://www.roth-werke.de)

### ■ Czech Republic

**Roth Czech s.r.o.**  
Třebořov 160  
569 33 Třebořov  
Tel.: +420 461 324 301  
Fax.: +420 461 324 297  
E-Mail: [objednavky@roth-czech.cz](mailto:objednavky@roth-czech.cz)  
[www.roth-czech.cz](http://www.roth-czech.cz)