

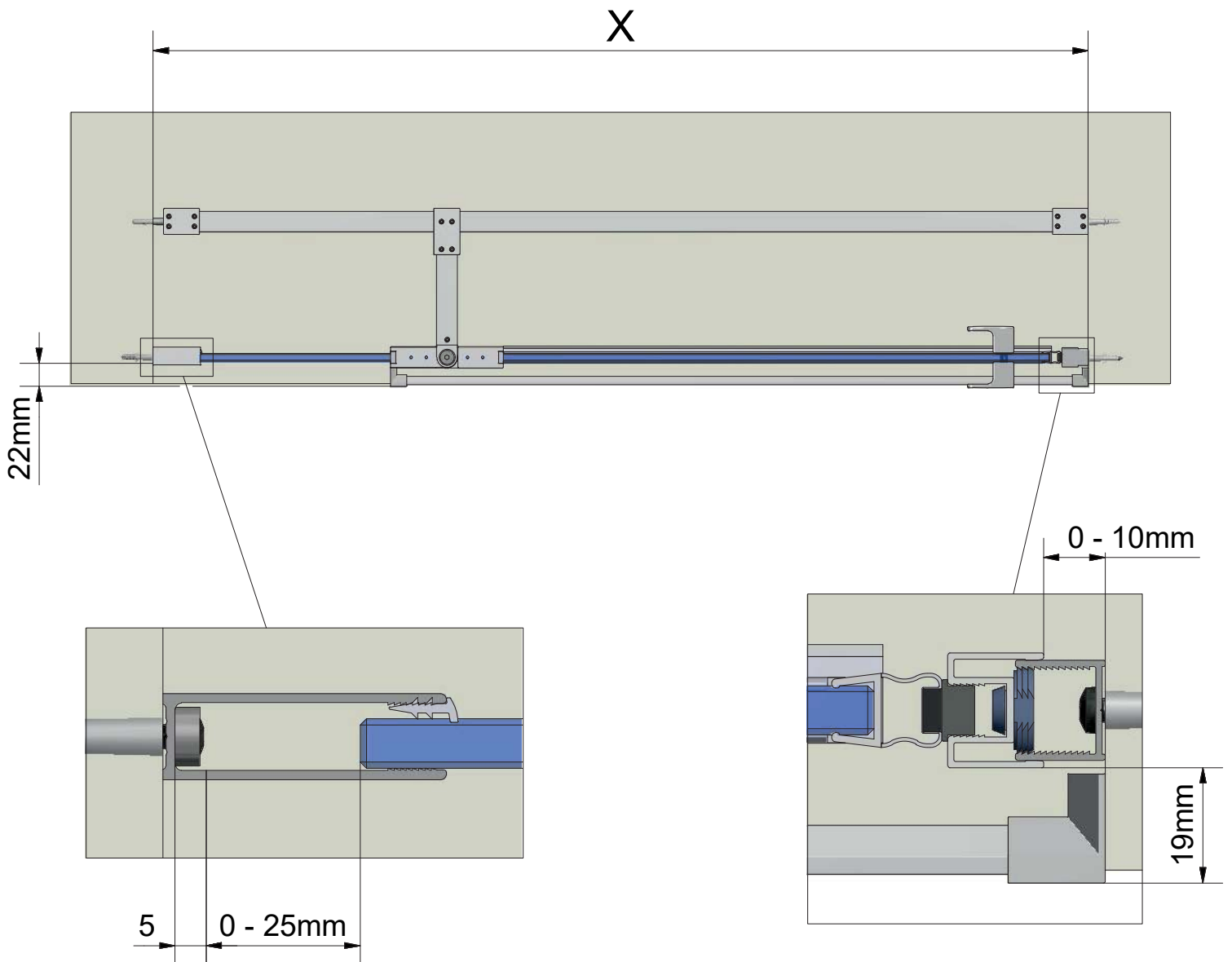
**Montageanleitung
Assembling Instruction
Montážní návod**



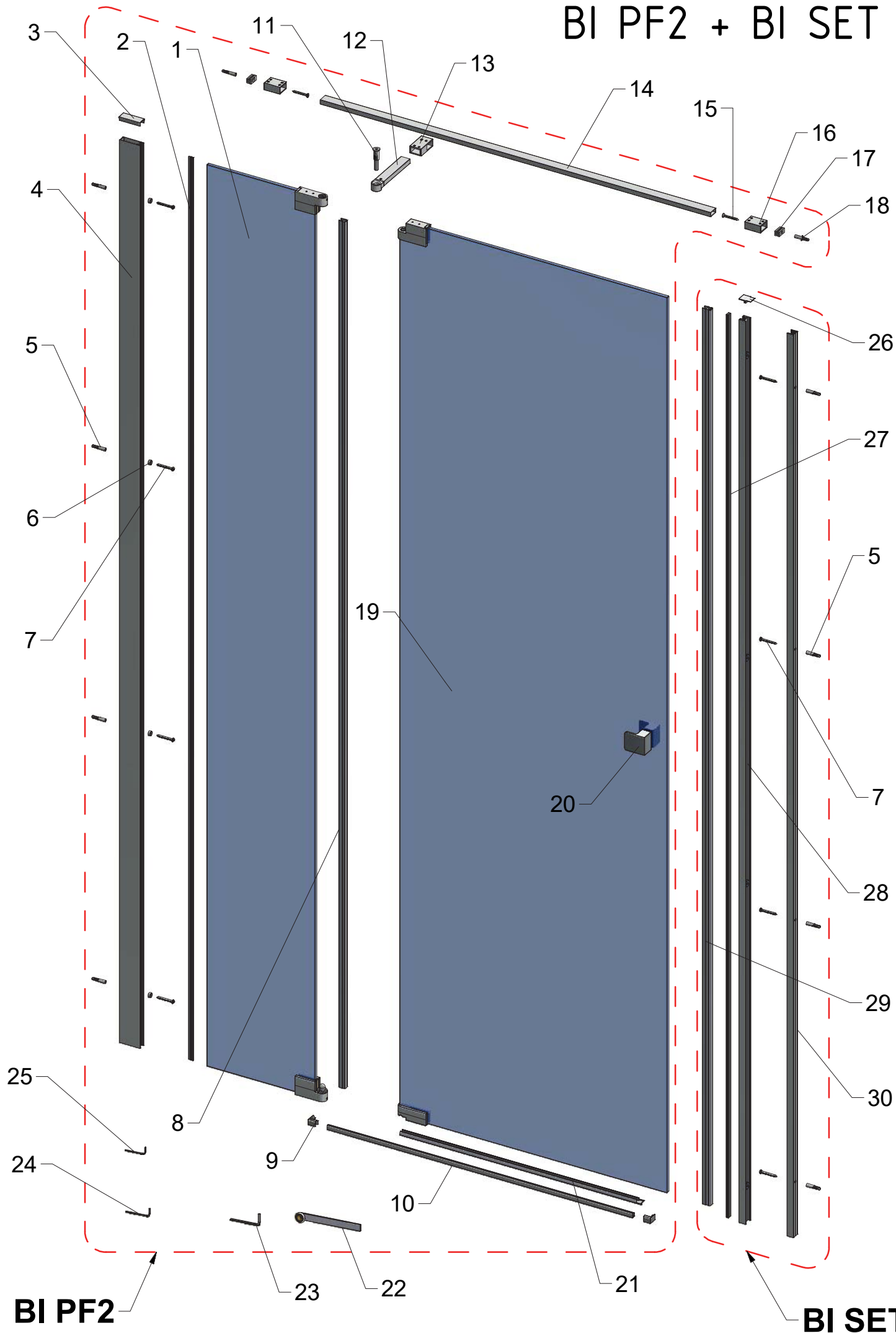
Shower for life

BI PF2 + BI SET

TYPE	X (mm)
BI PF2+BI SET 800	775 - 810
BI PF2+BI SET 900	875 - 910
BI PF2+BI SET 1000	975 - 1010
BI PF2+BI SET 1200	1175 - 1210



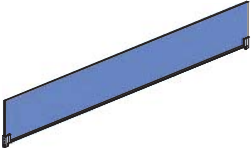











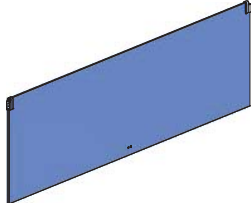
BI PF2 + BI SET




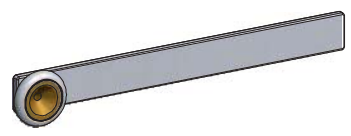



BI PF2

BI SET

BI PF2

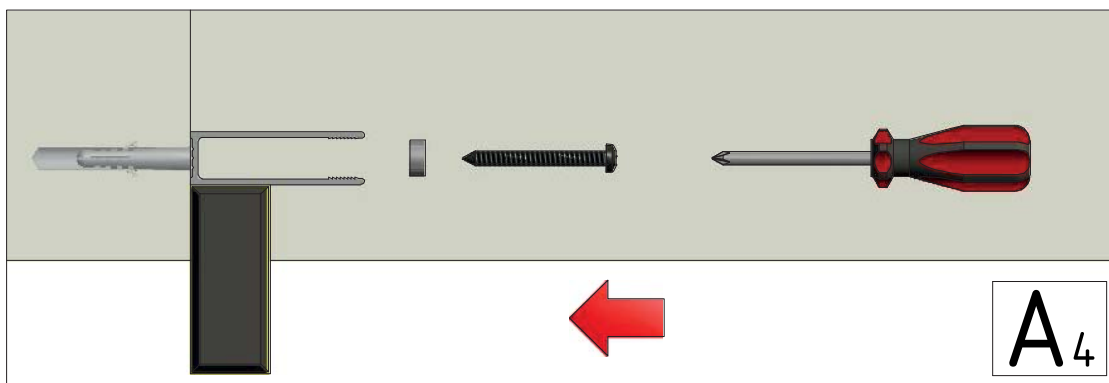
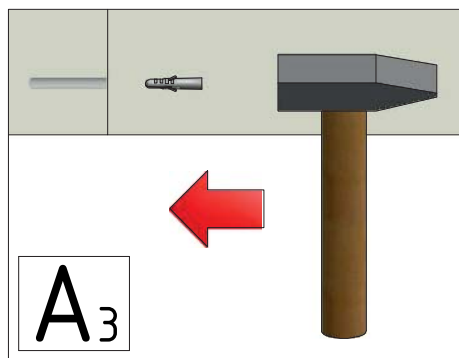
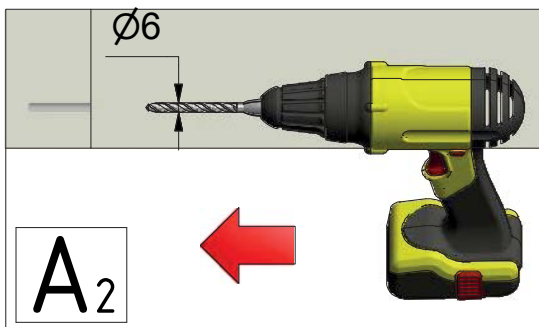
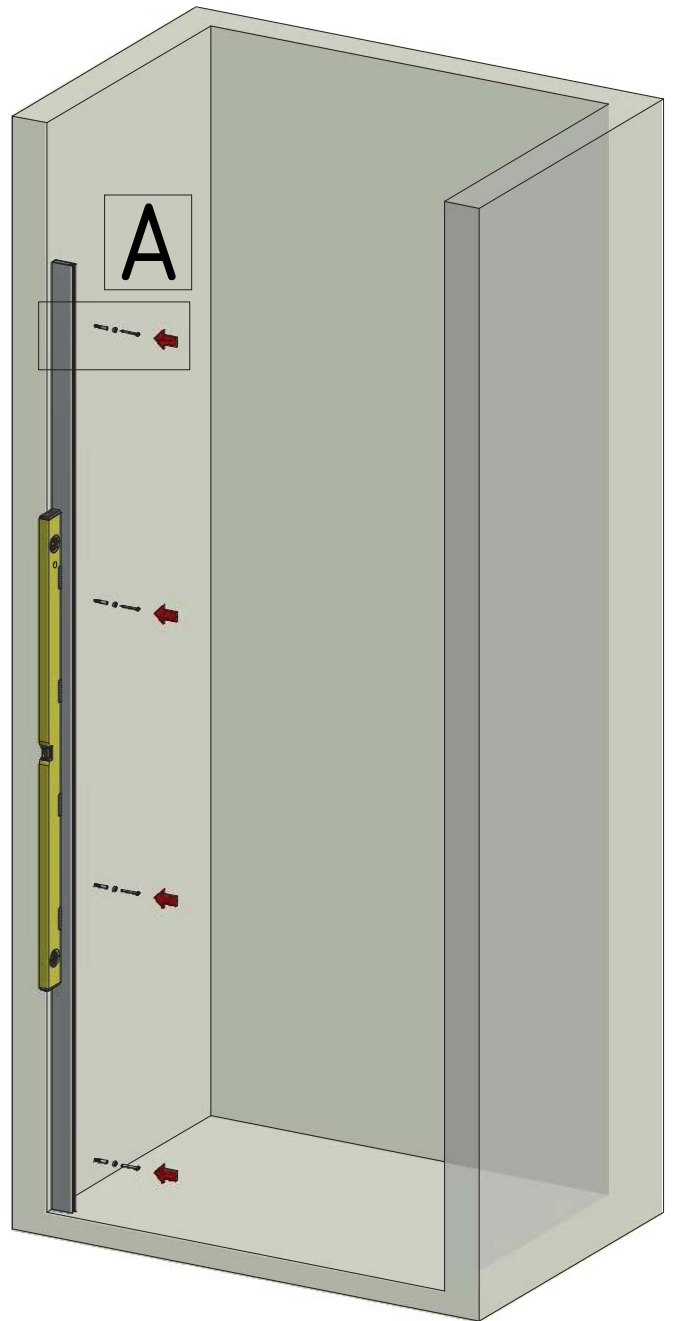
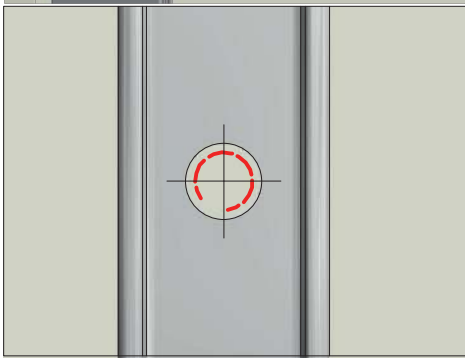
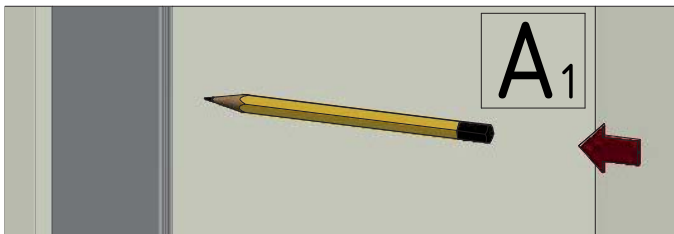
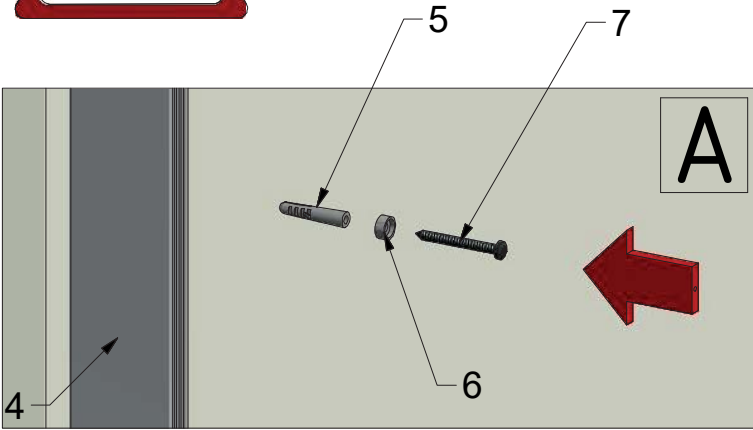
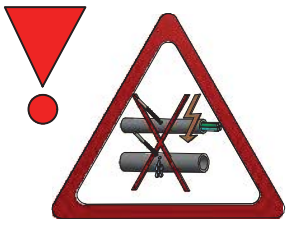
POS.	PREVIEW	DESCR.	PCS
1		Glass panel	1
2		Wedge seal	1
3		Profile cap	1
4		Wall profile	1
5		DOWEL 6	4
6		Washer screw	4
7		ST 3,9 x 35	4
8		Seal	1
9		End of the sill strip	1+1 (SET)
10		Threshold profil	1
11		Fixing screw	1
12		Strut part a	1
13		Strut part b	1
14		Strut part c	1
15		ST 3,9 x 35	2
16		Strut part d	2
17		Strut part e	2
18		DOWEL 6	2
19		Glass panel	1
20		Handle	1

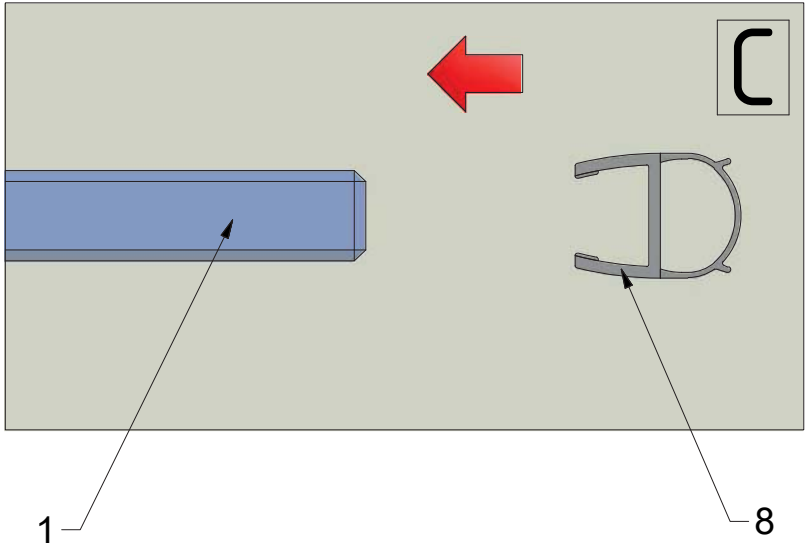
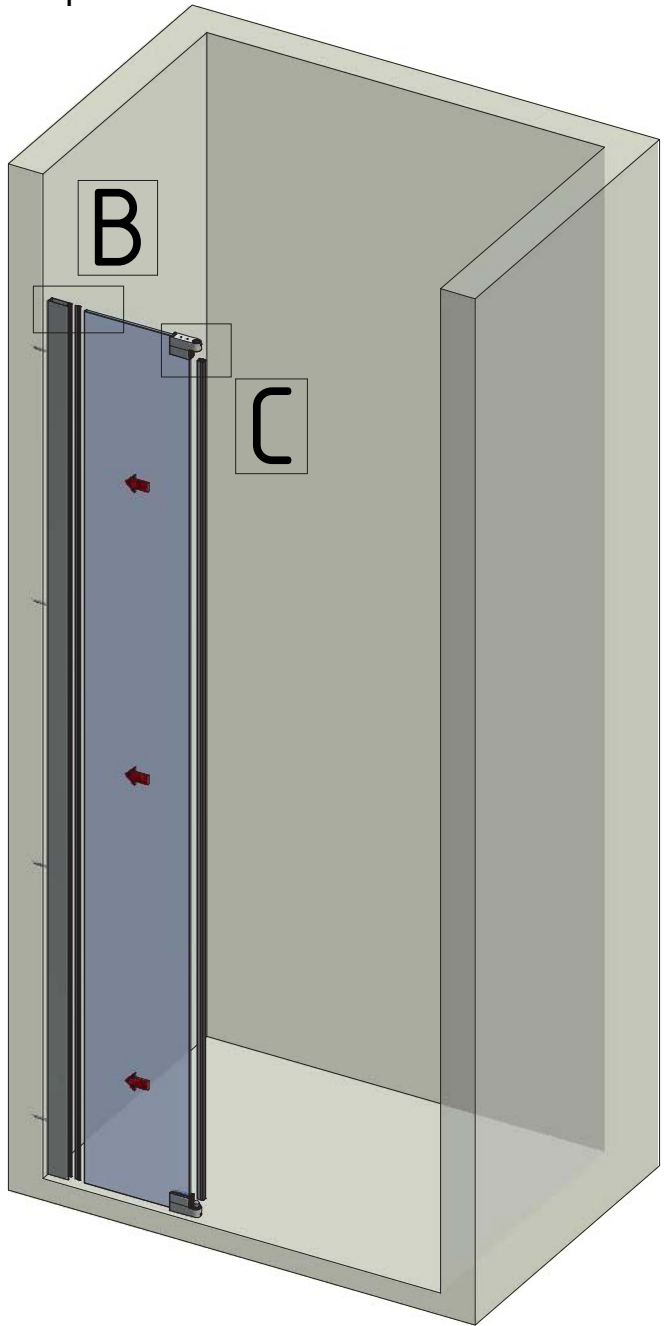
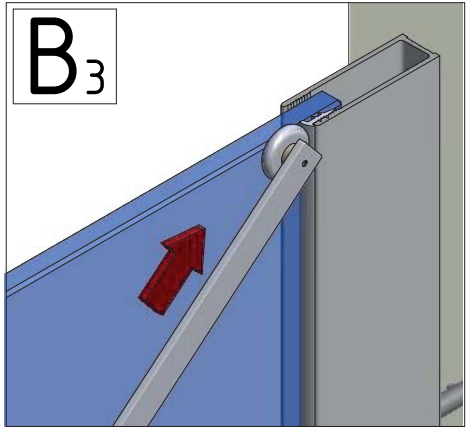
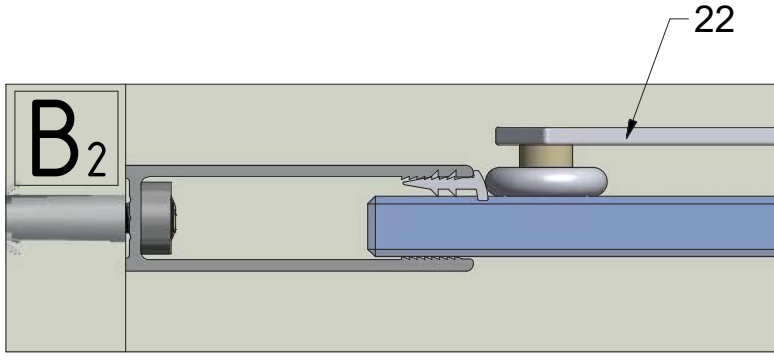
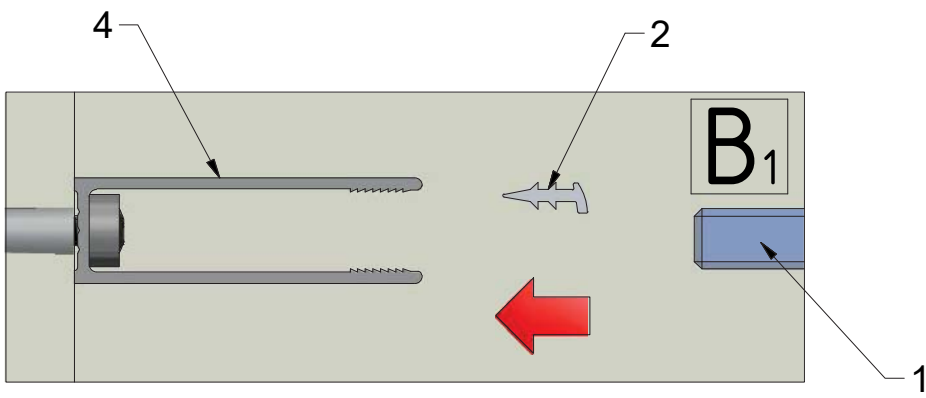
BI PF2

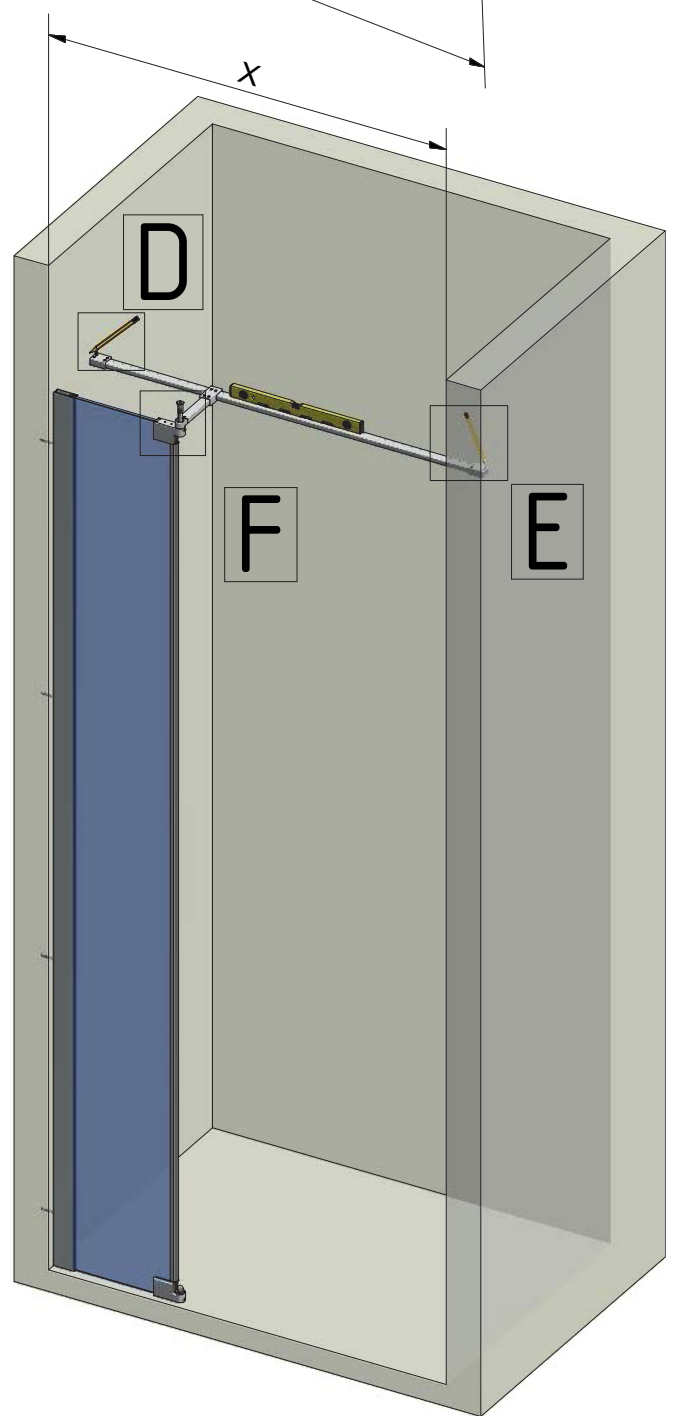
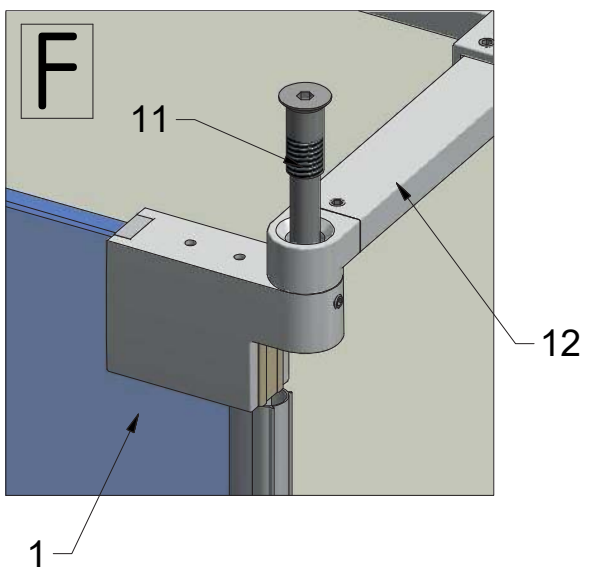
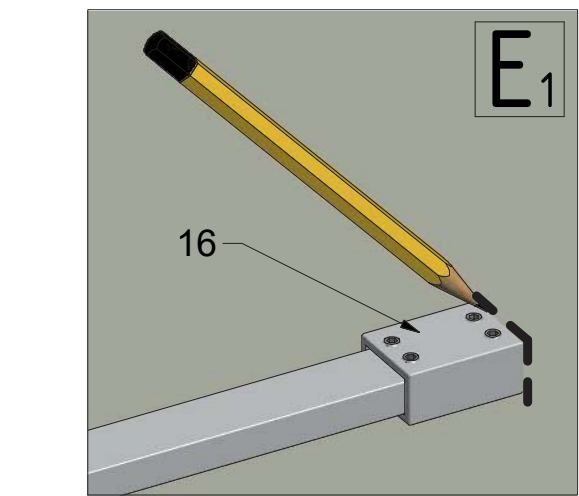
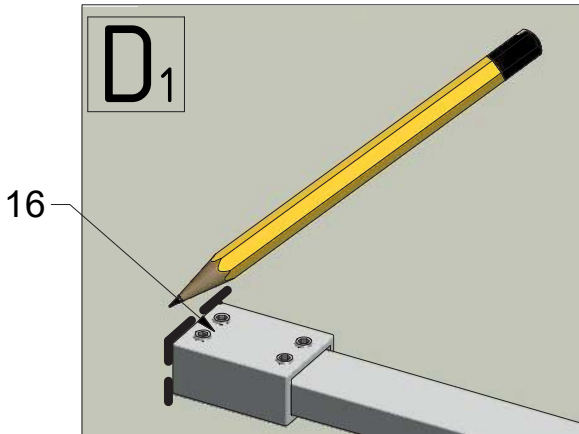
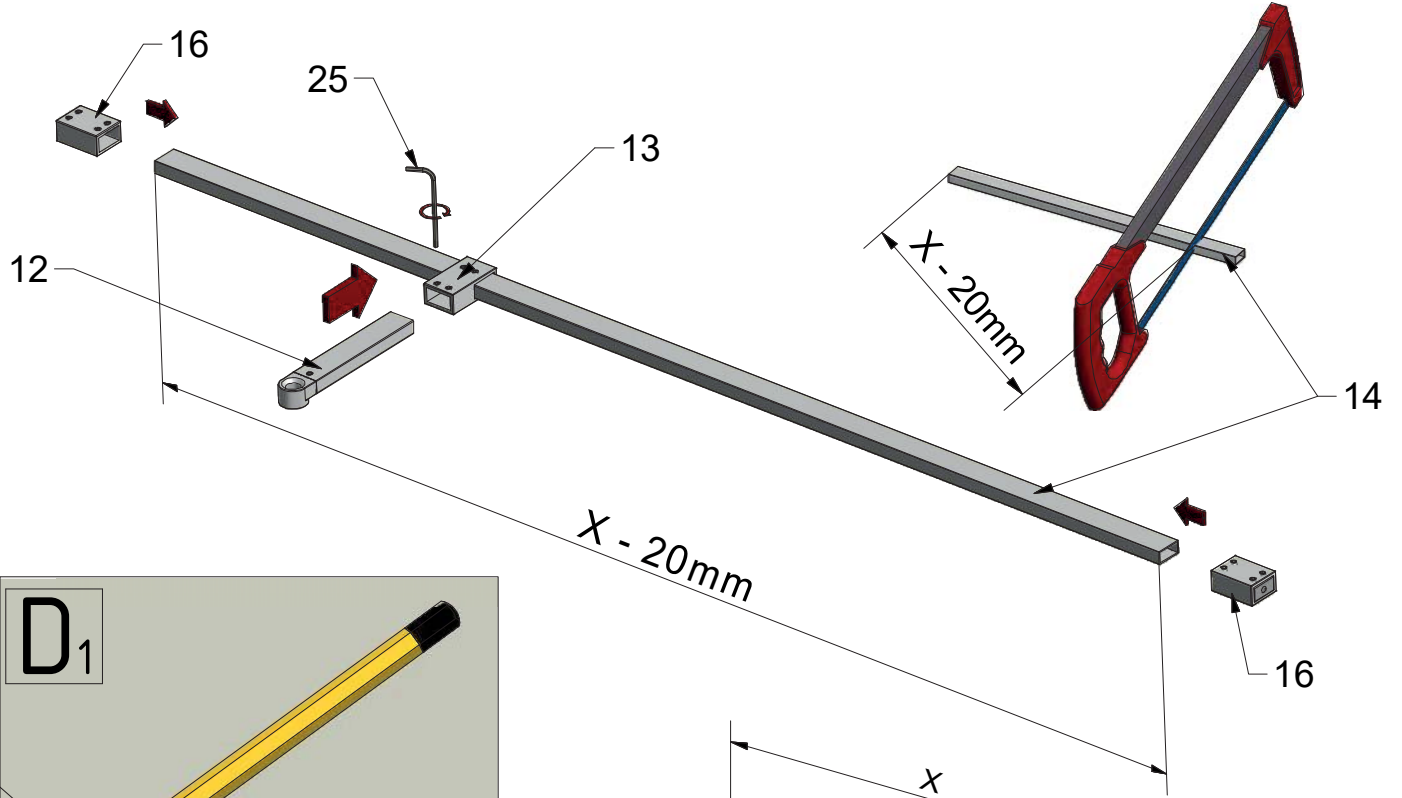
POS.	PREVIEW	DESCR.	PCS
21		Seal	1
22			1
23		Imbus 4mm	1
24		Imbus 2,5mm	1
25		Imbus 2mm	1

BI SET

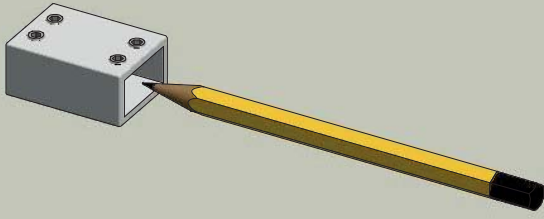
POS.	PREVIEW	DESCR.	PCS
5		DOWEL 6	4
7		ST 3,9 x 35	4
26		Profile cap	1
27		Magnet	1
28		Magnetic profile	1
29		Magnet for glass panel	1
30		Wall profile	1



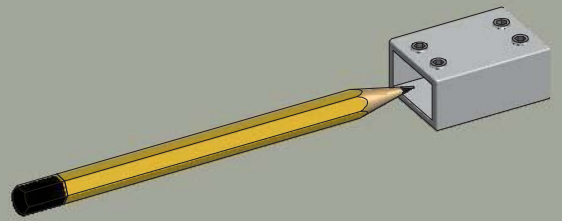




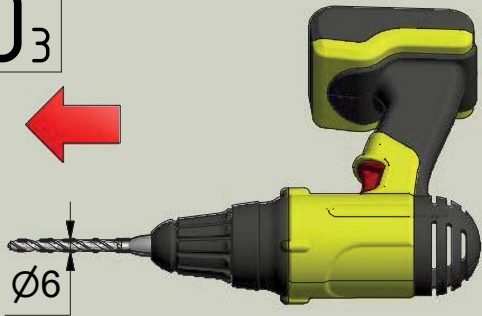
D₂



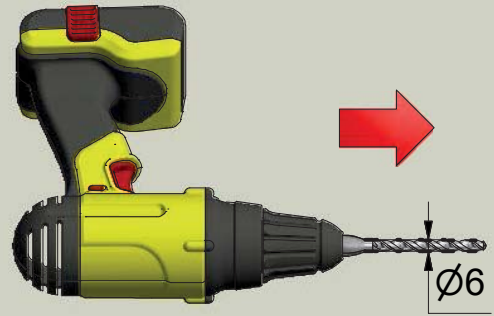
E₂



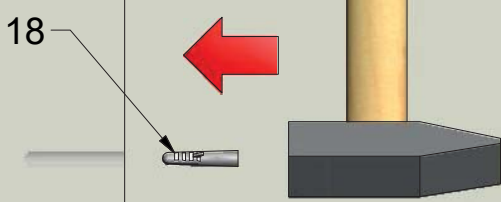
D₃



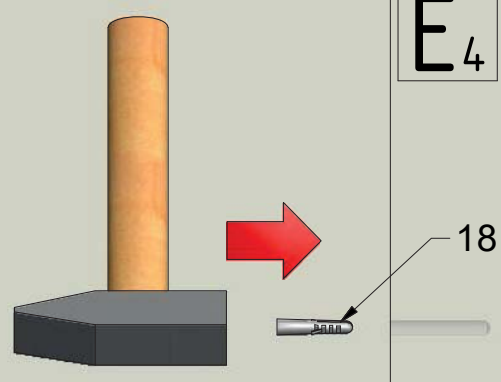
E₃



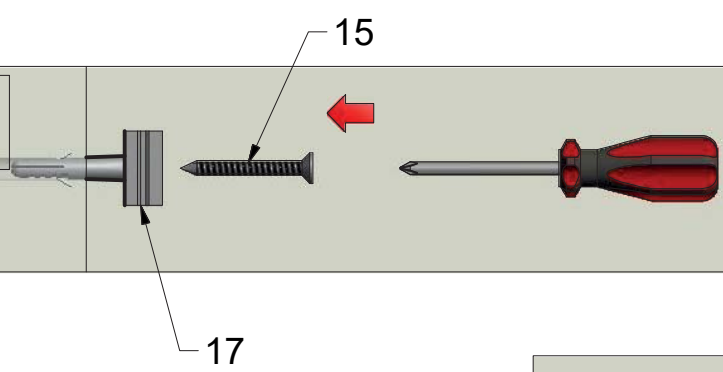
D₄



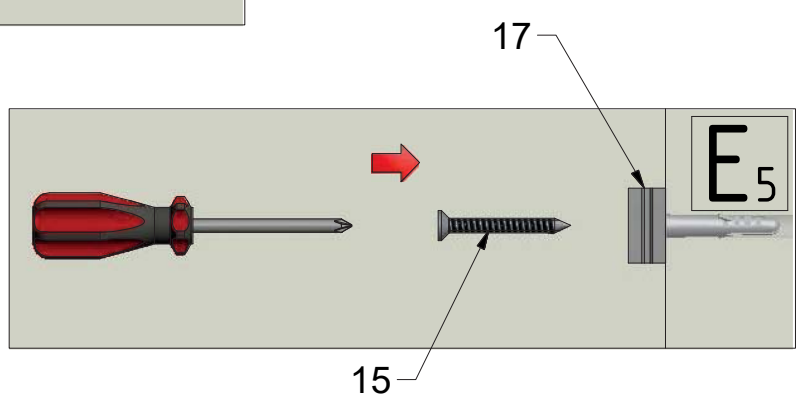
E₄

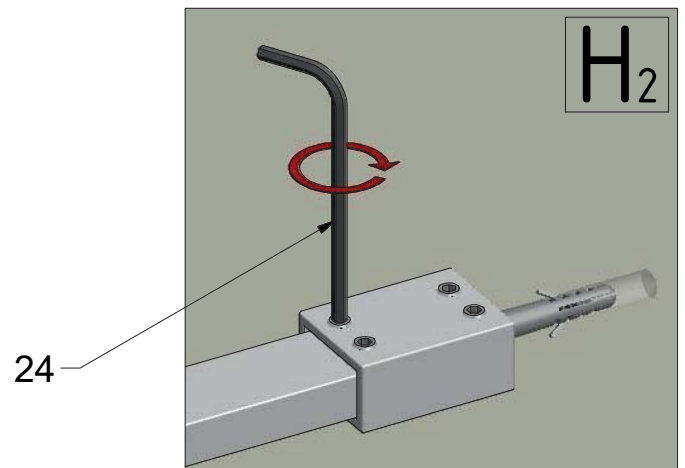
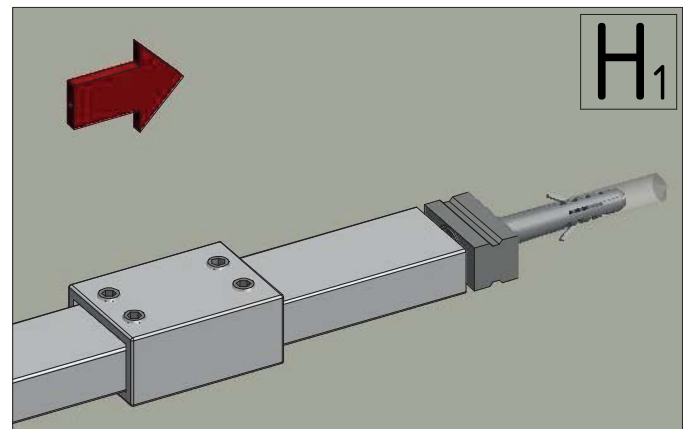
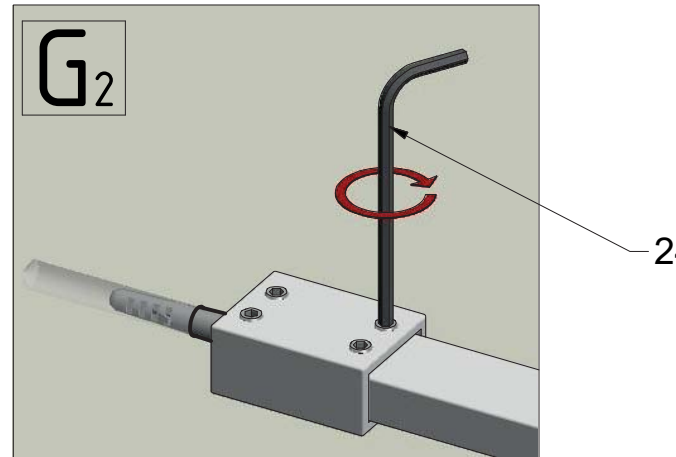
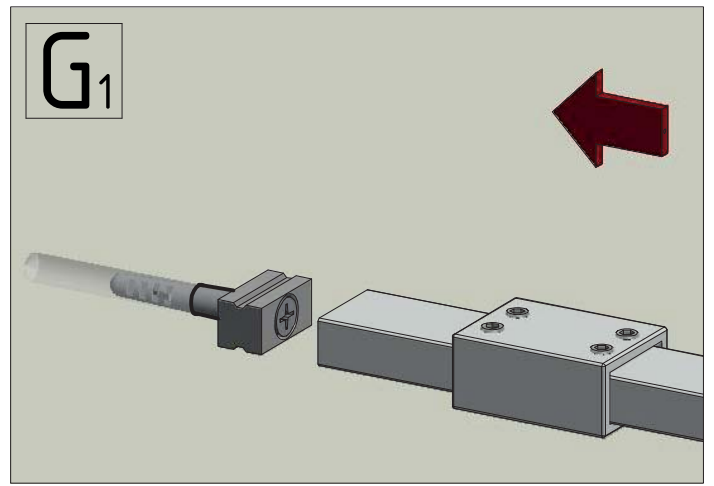
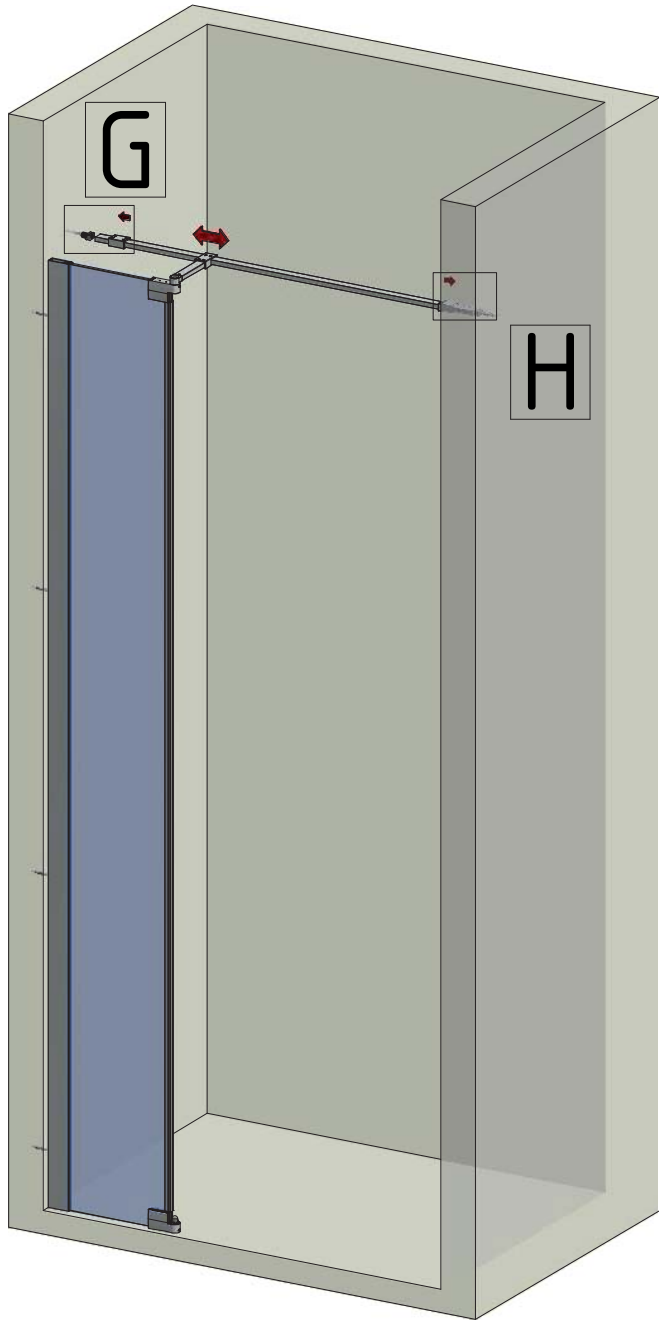


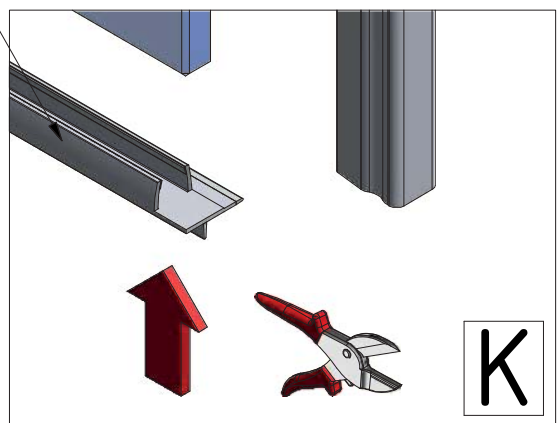
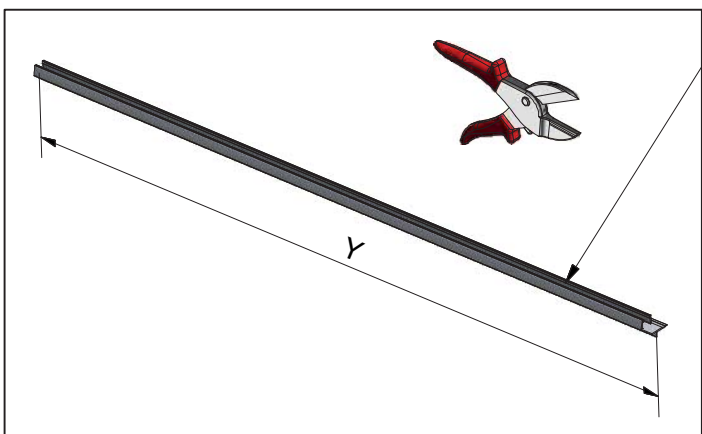
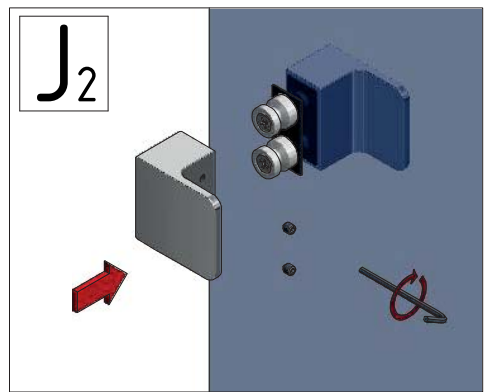
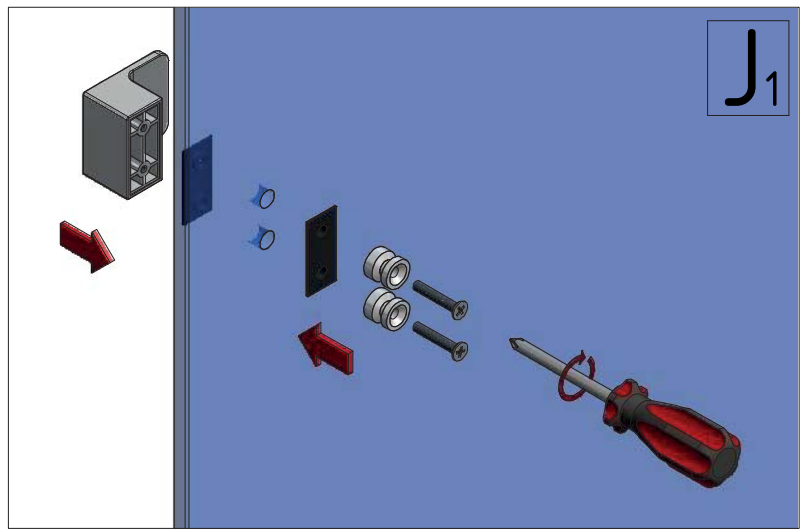
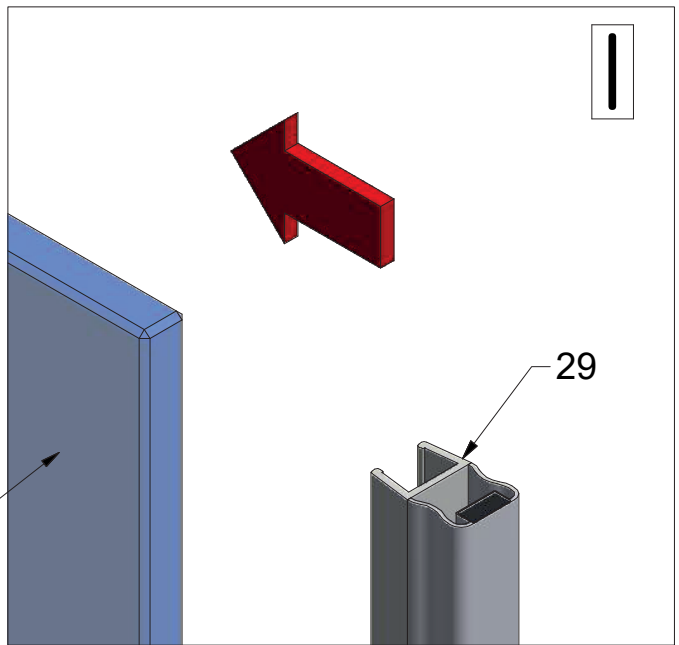
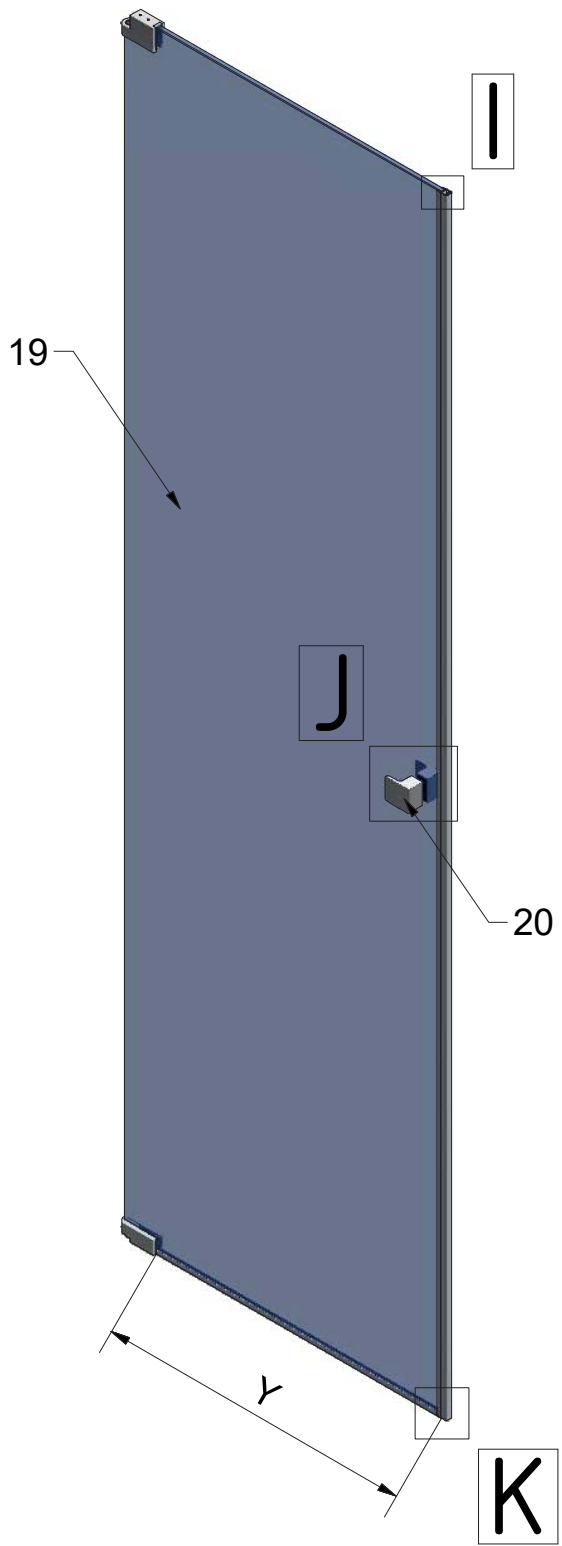
D₅

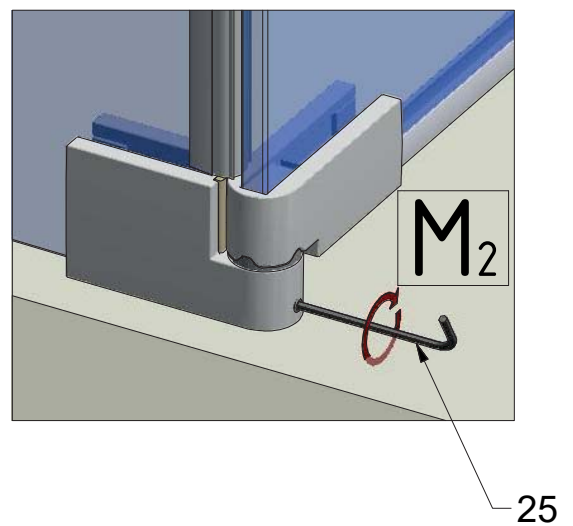
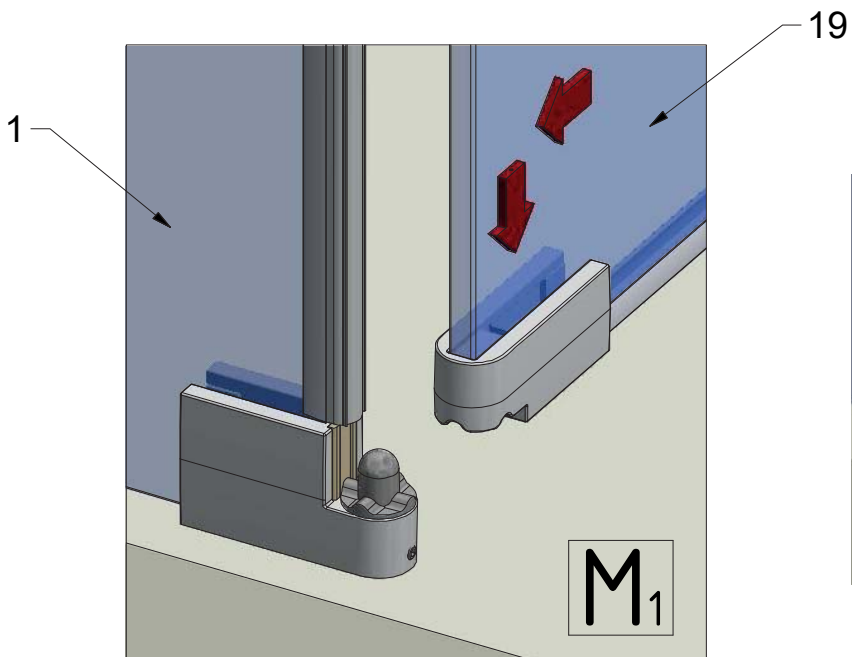
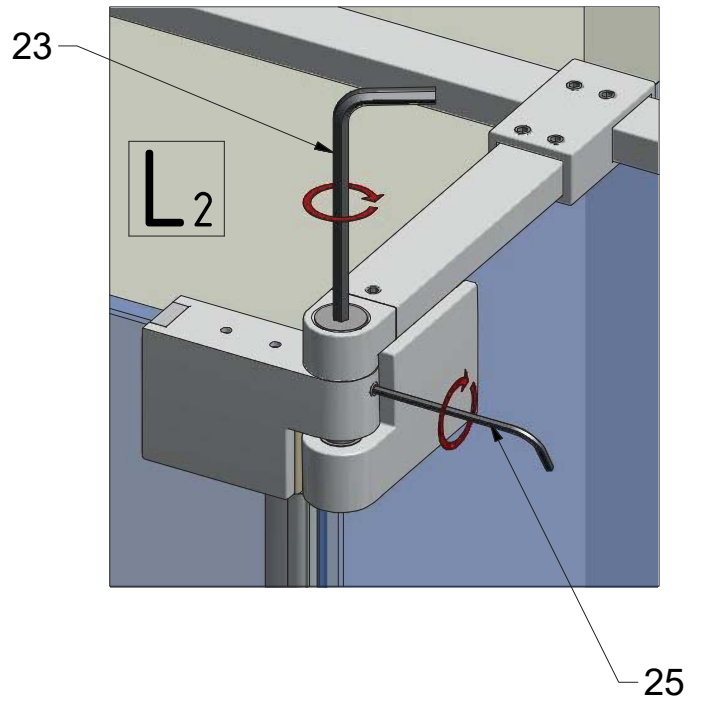
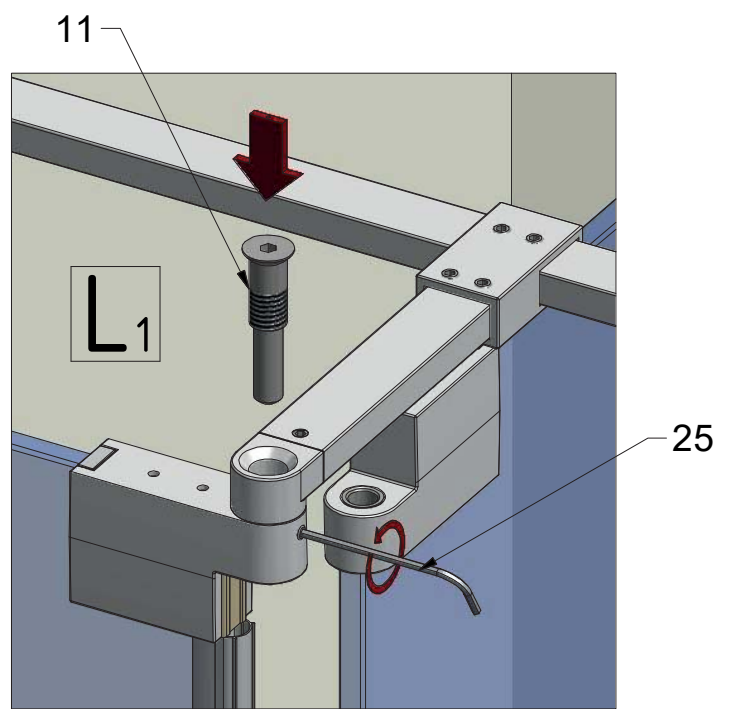
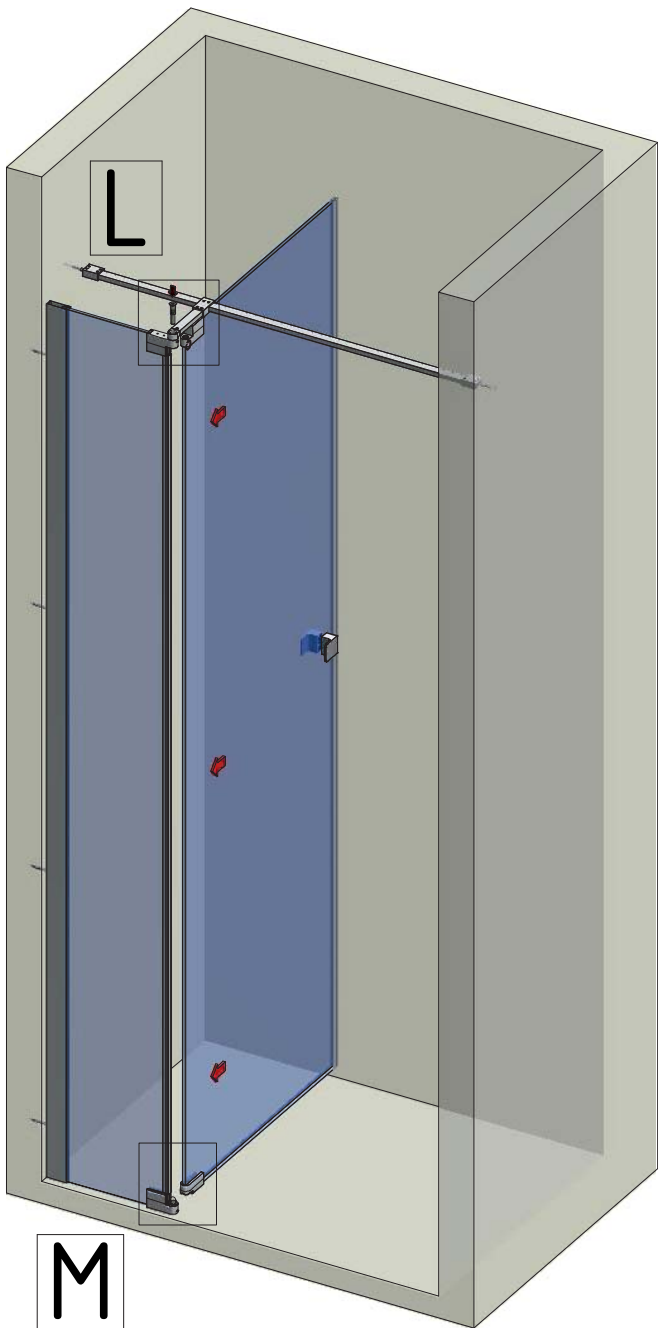


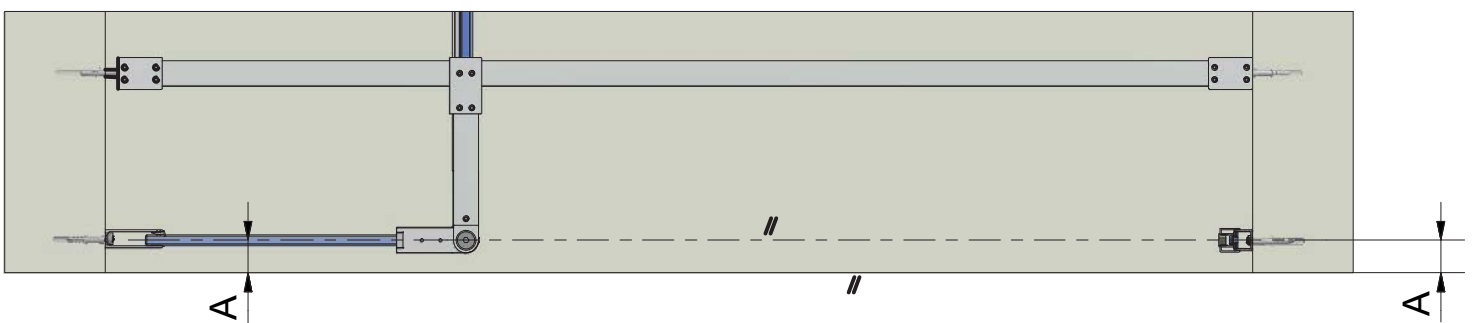
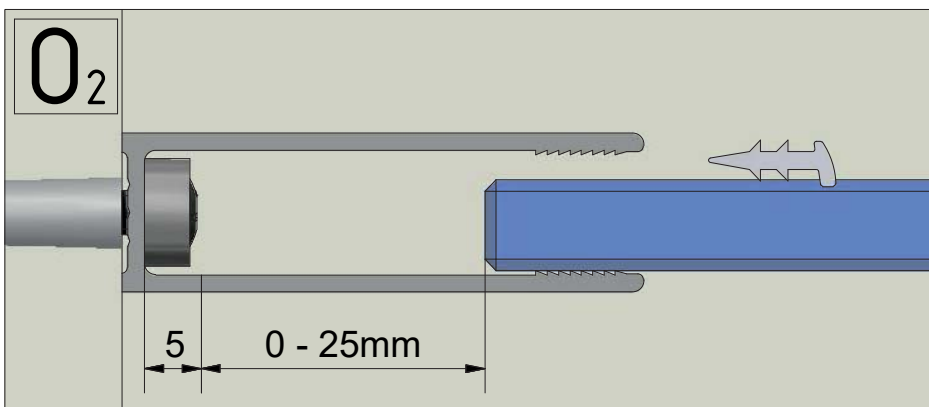
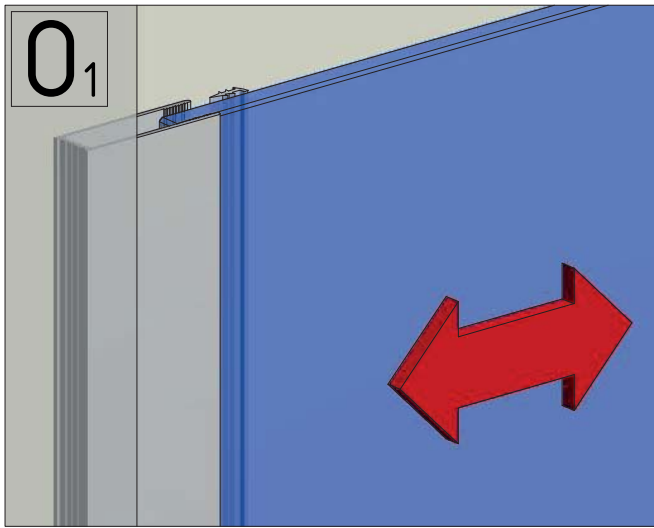
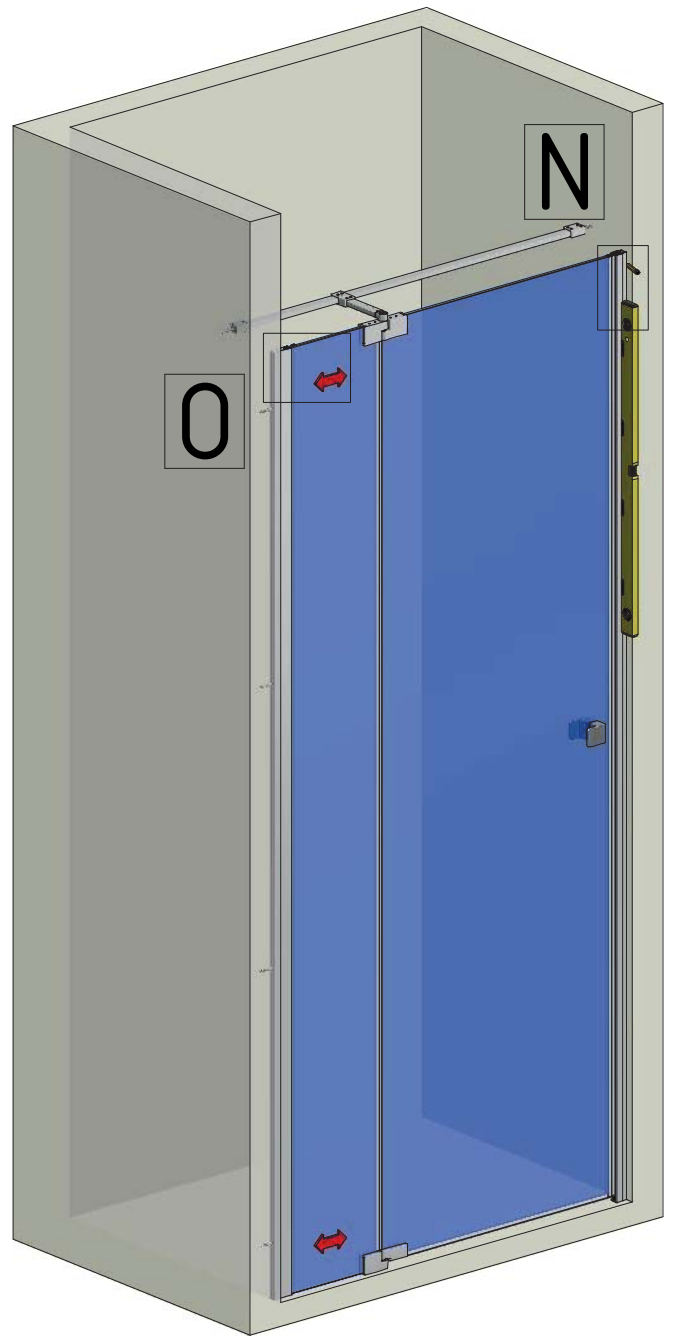
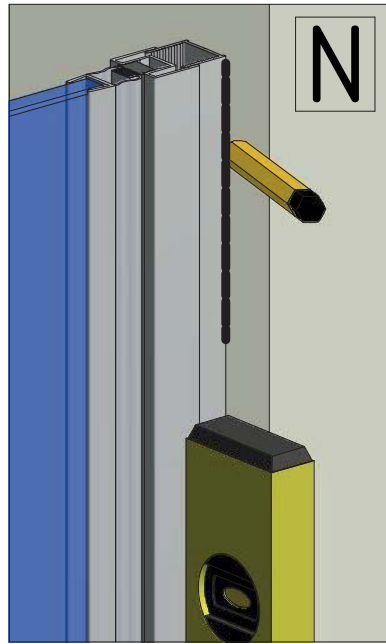
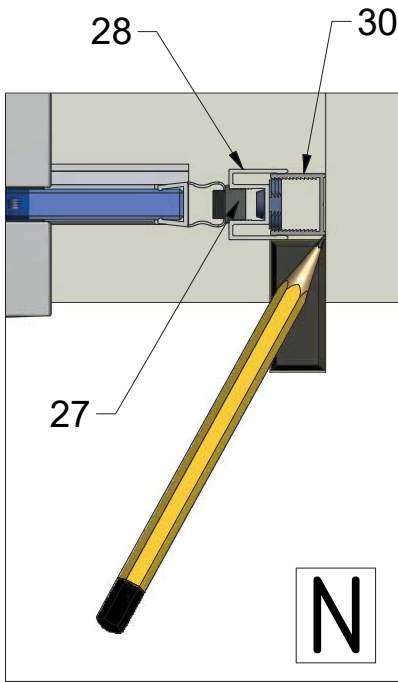
E₅

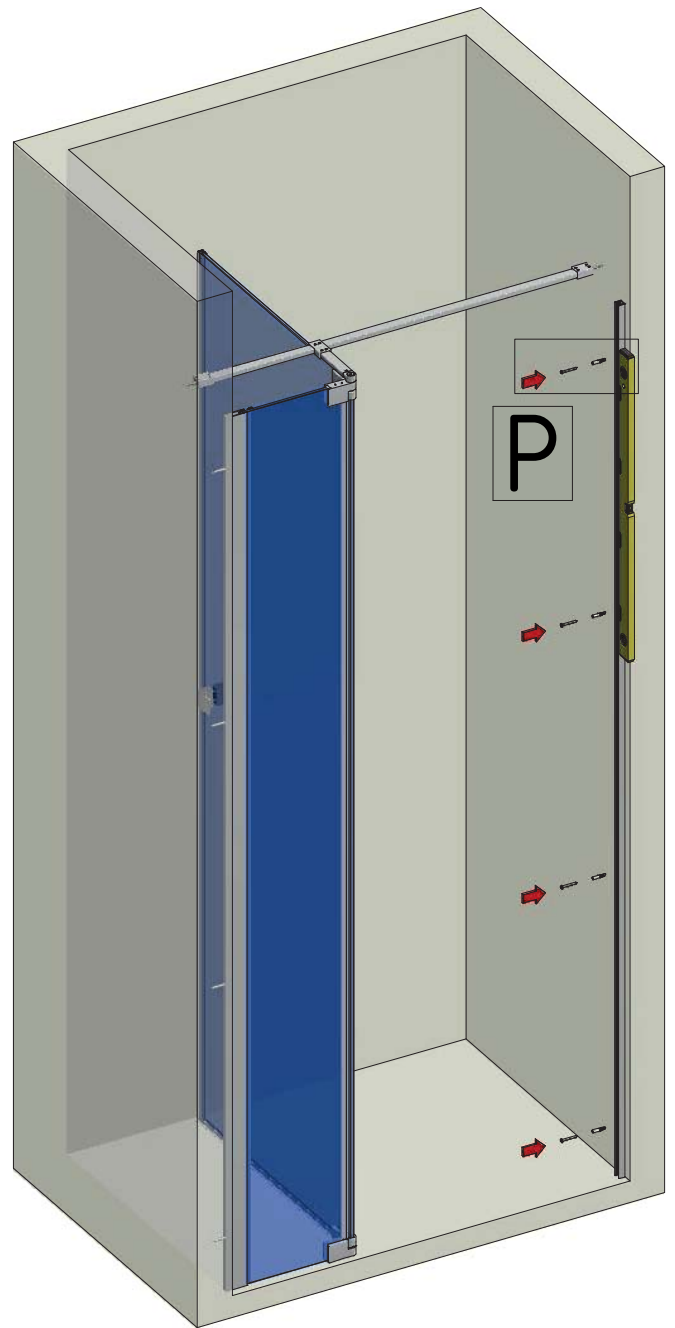
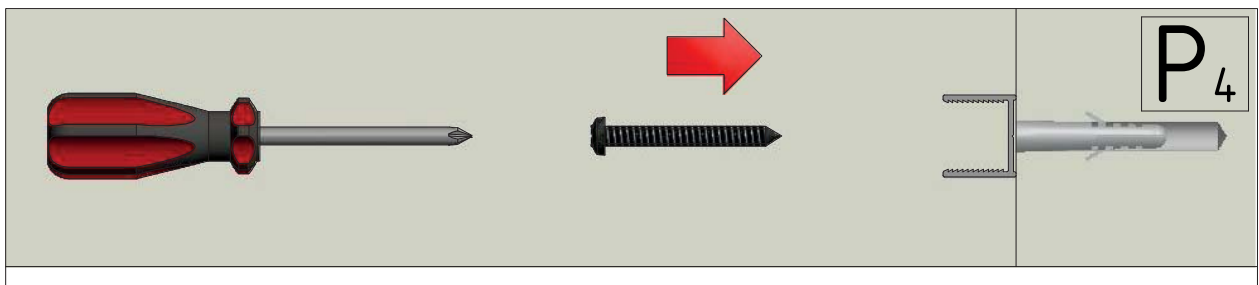
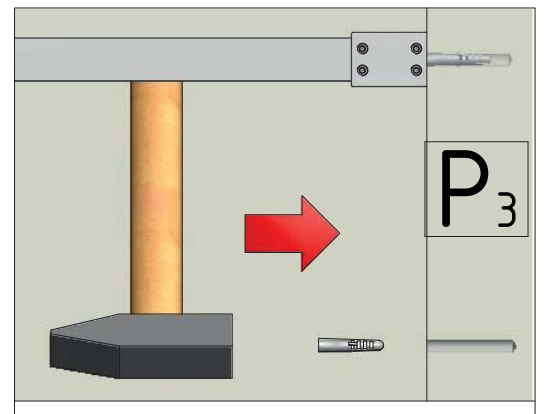
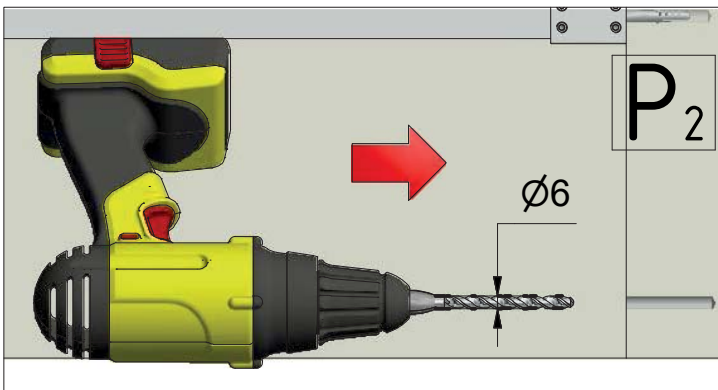
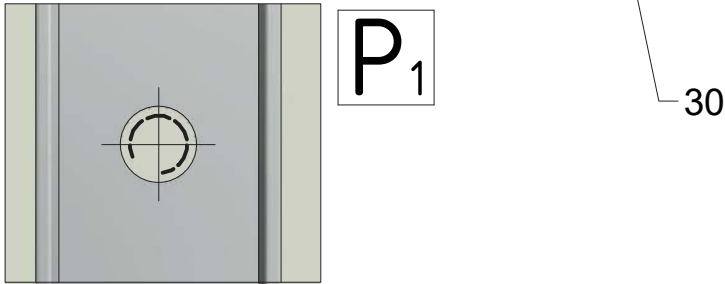
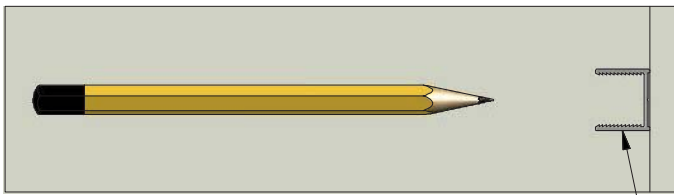
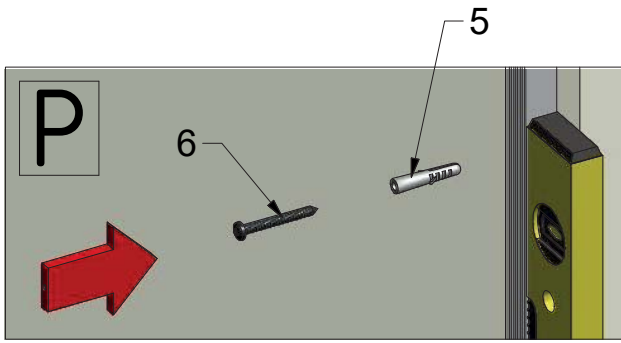
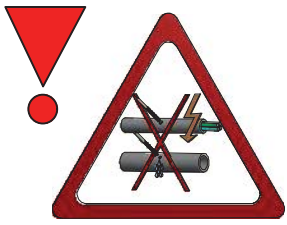


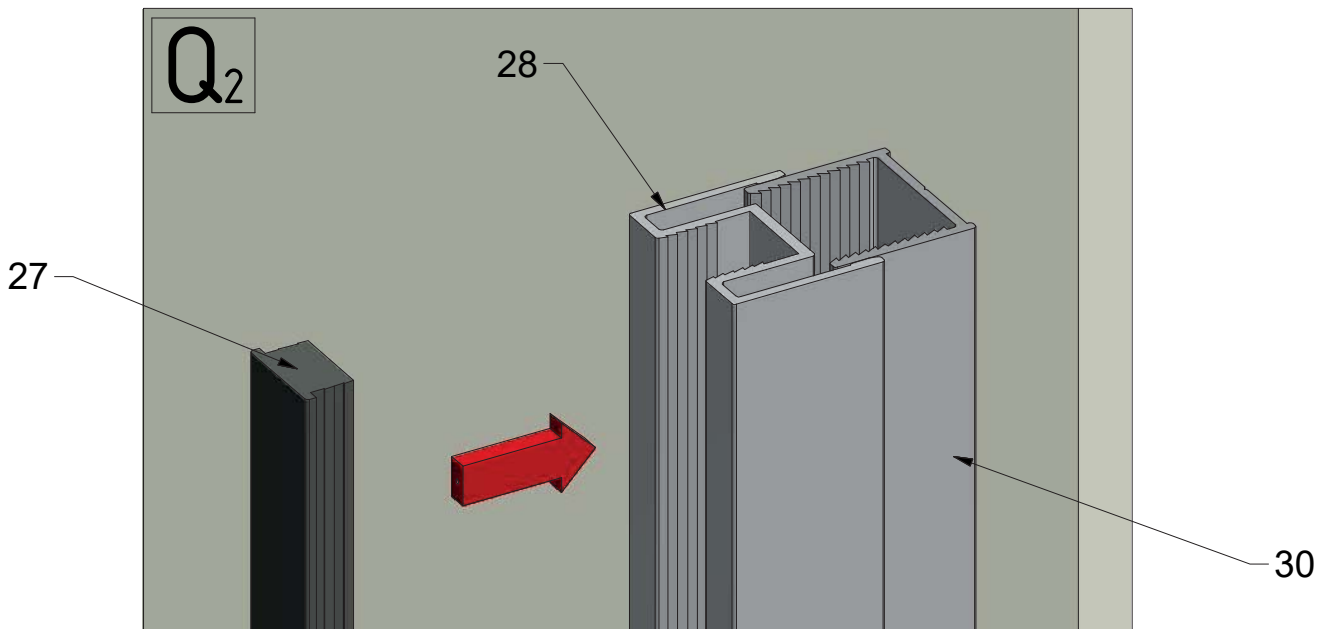
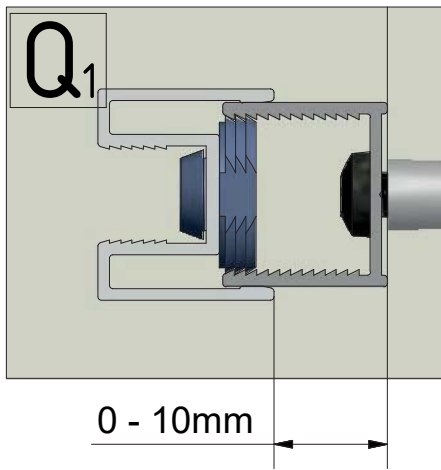
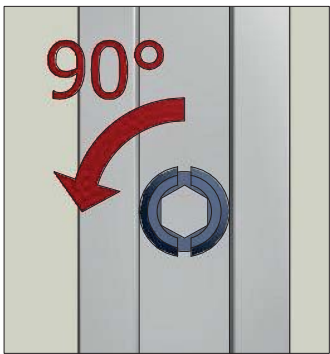
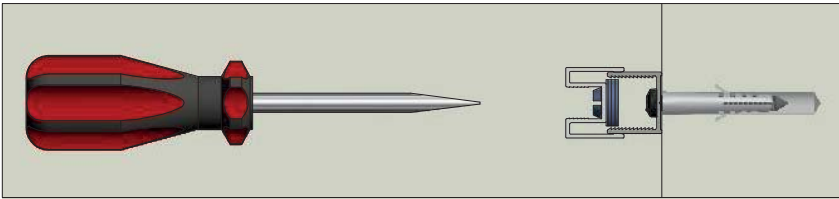
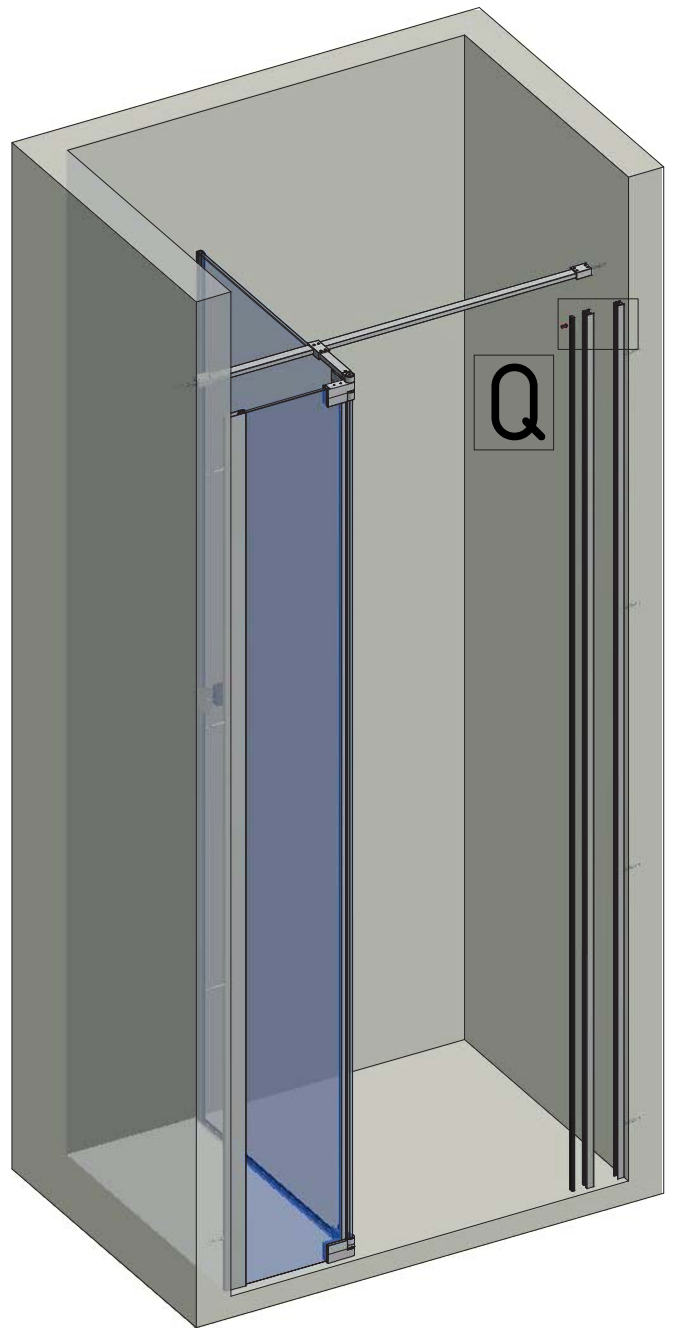
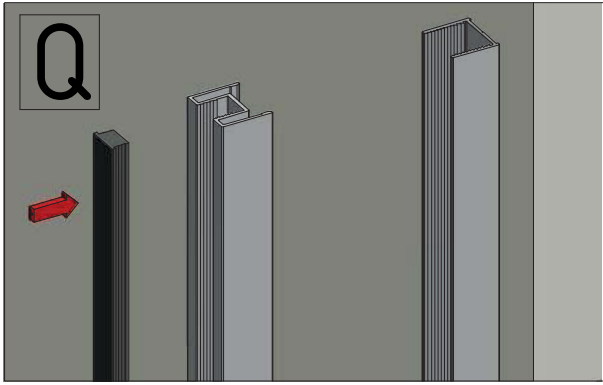


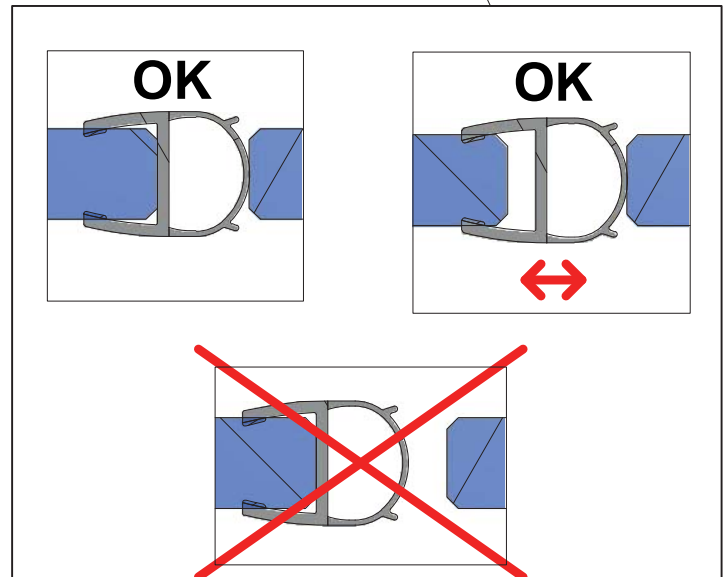
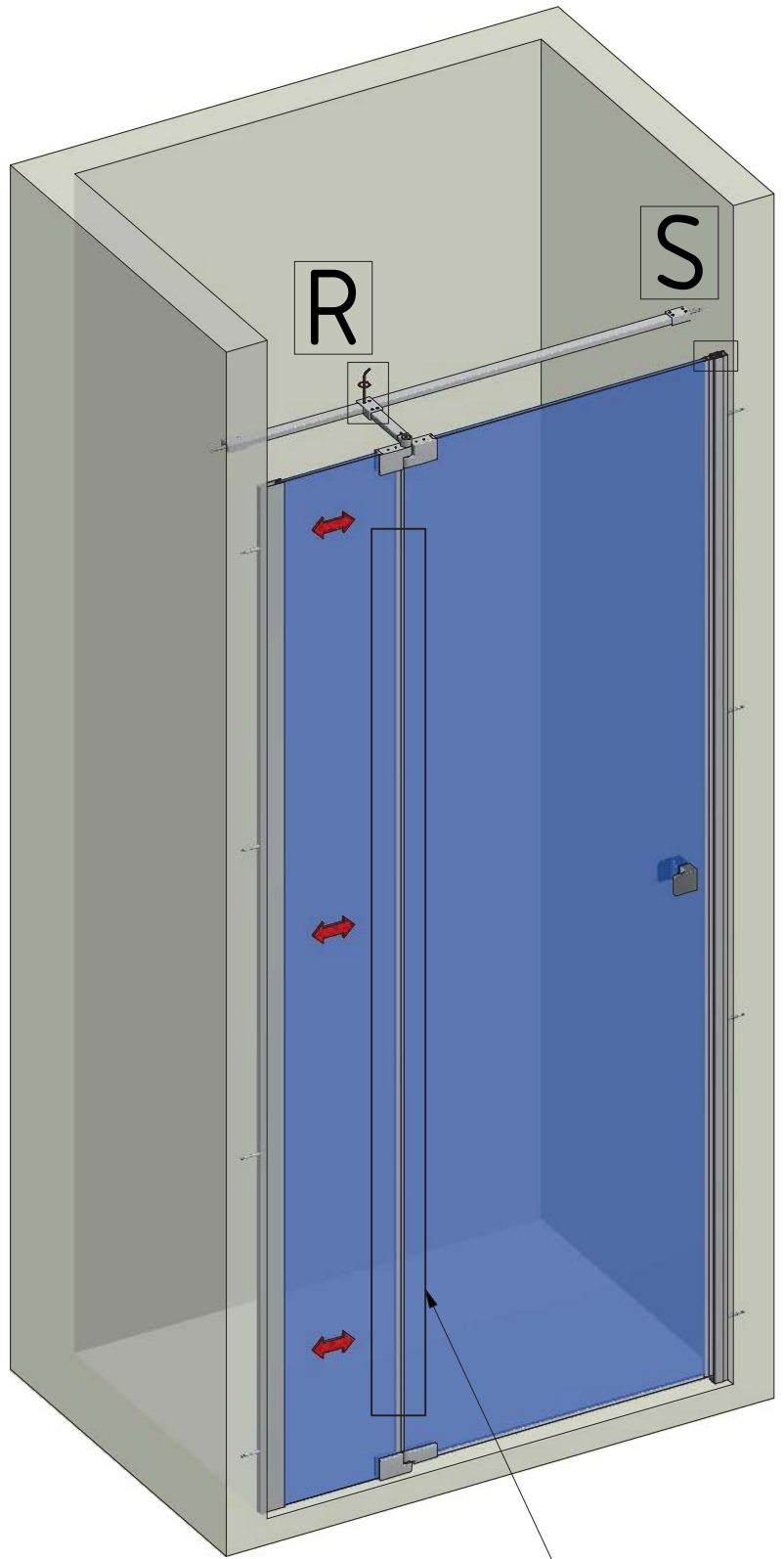
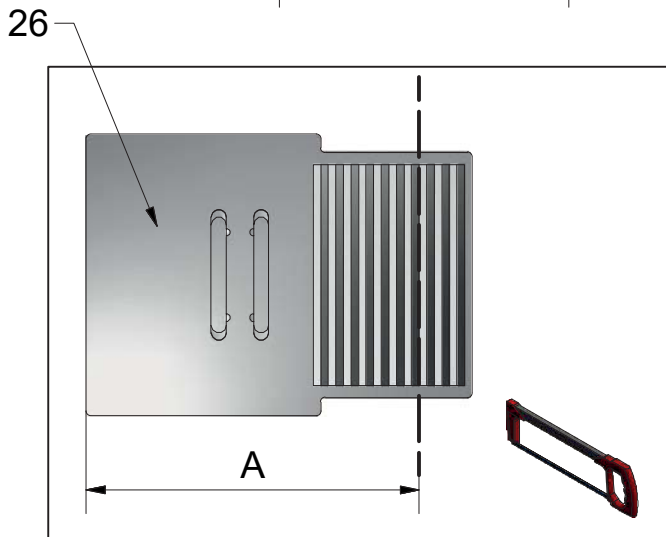
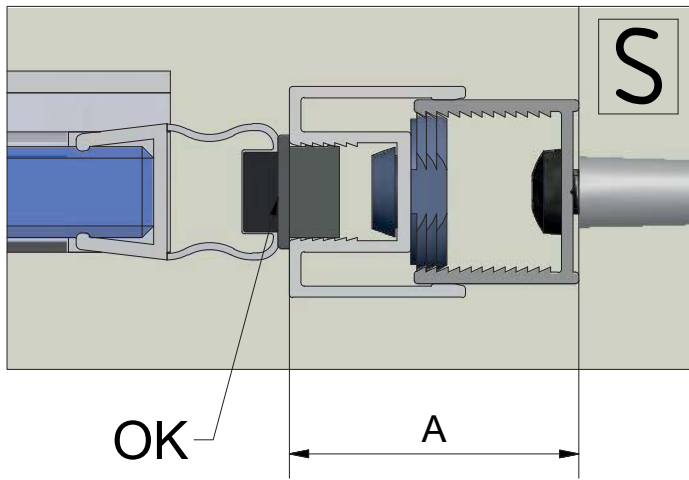
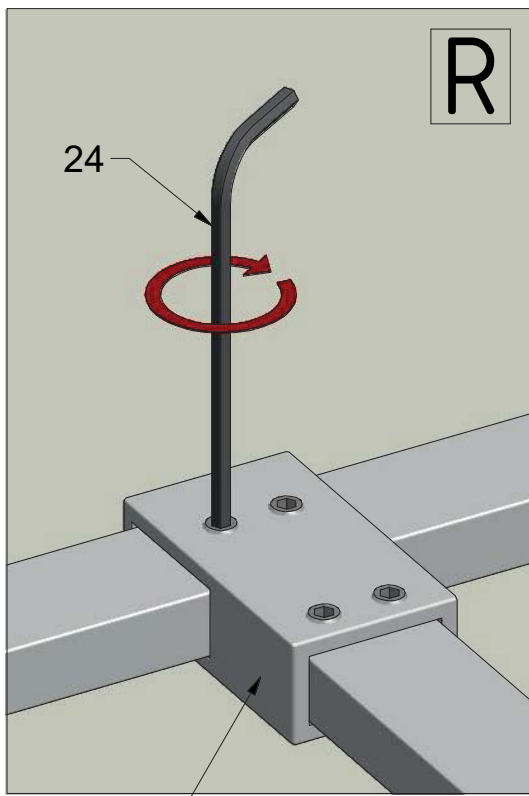


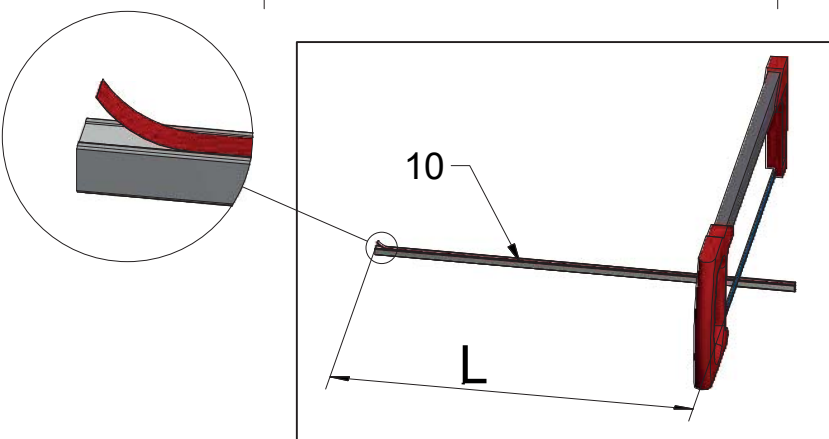
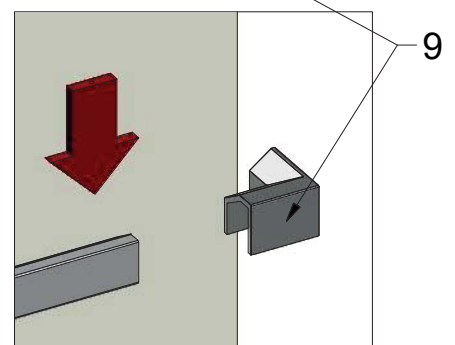
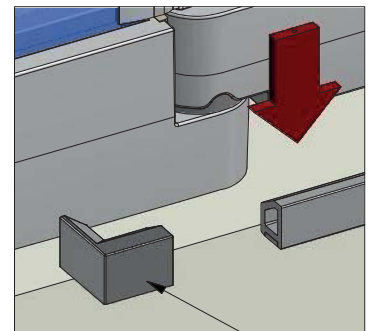
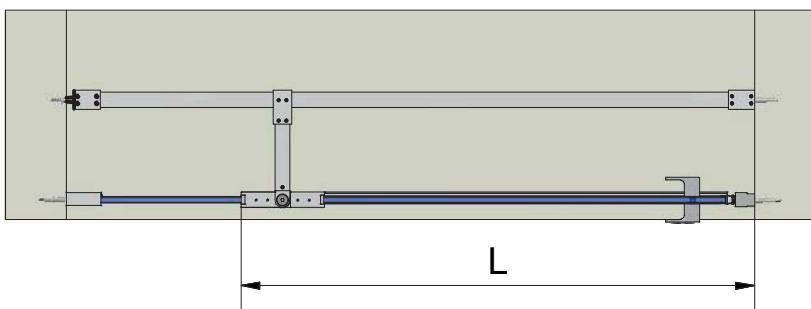
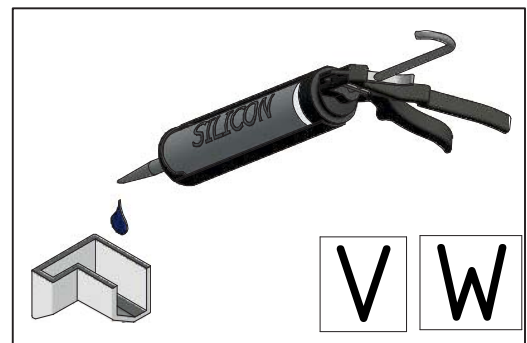
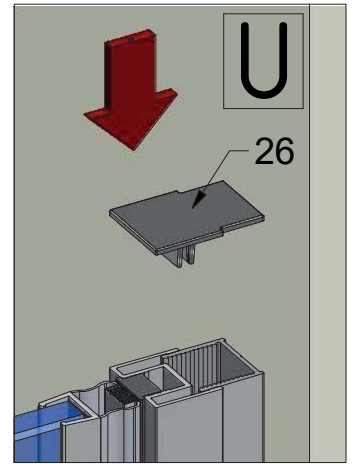
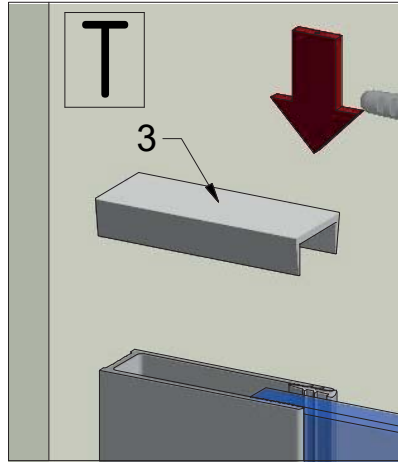
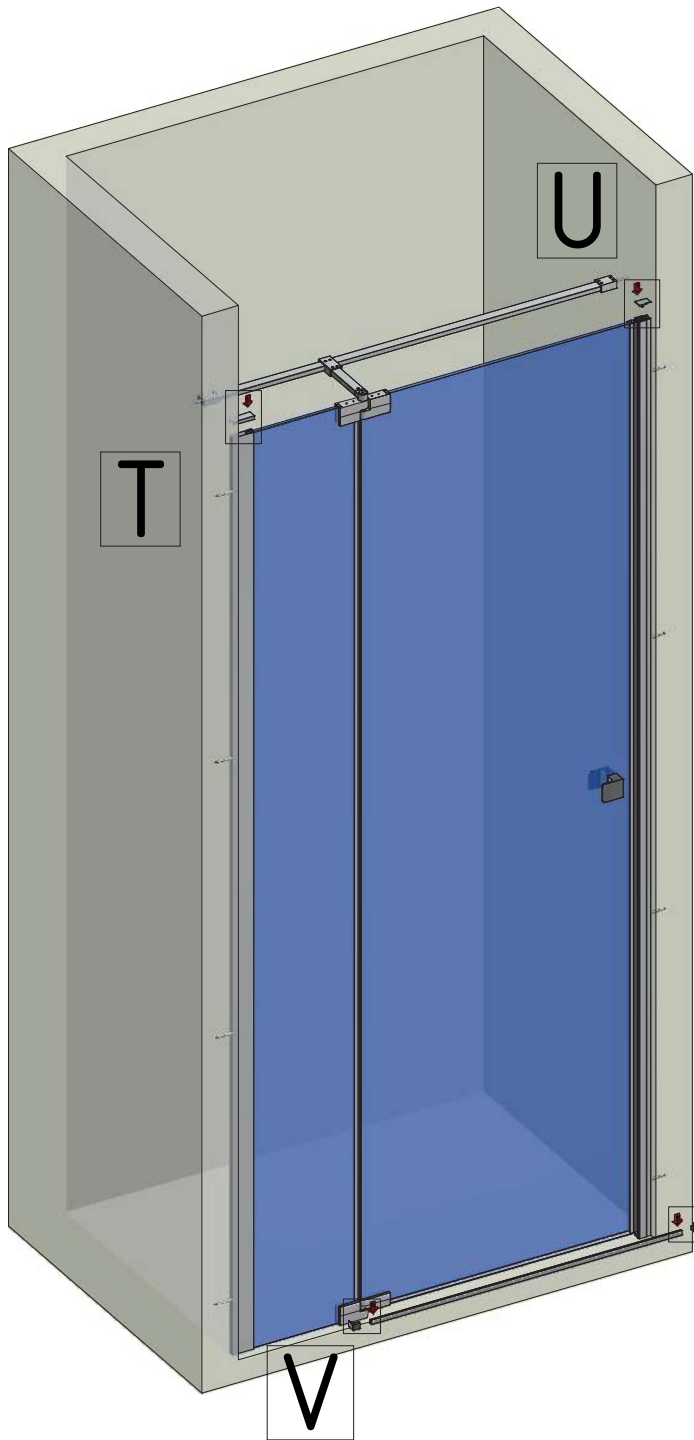


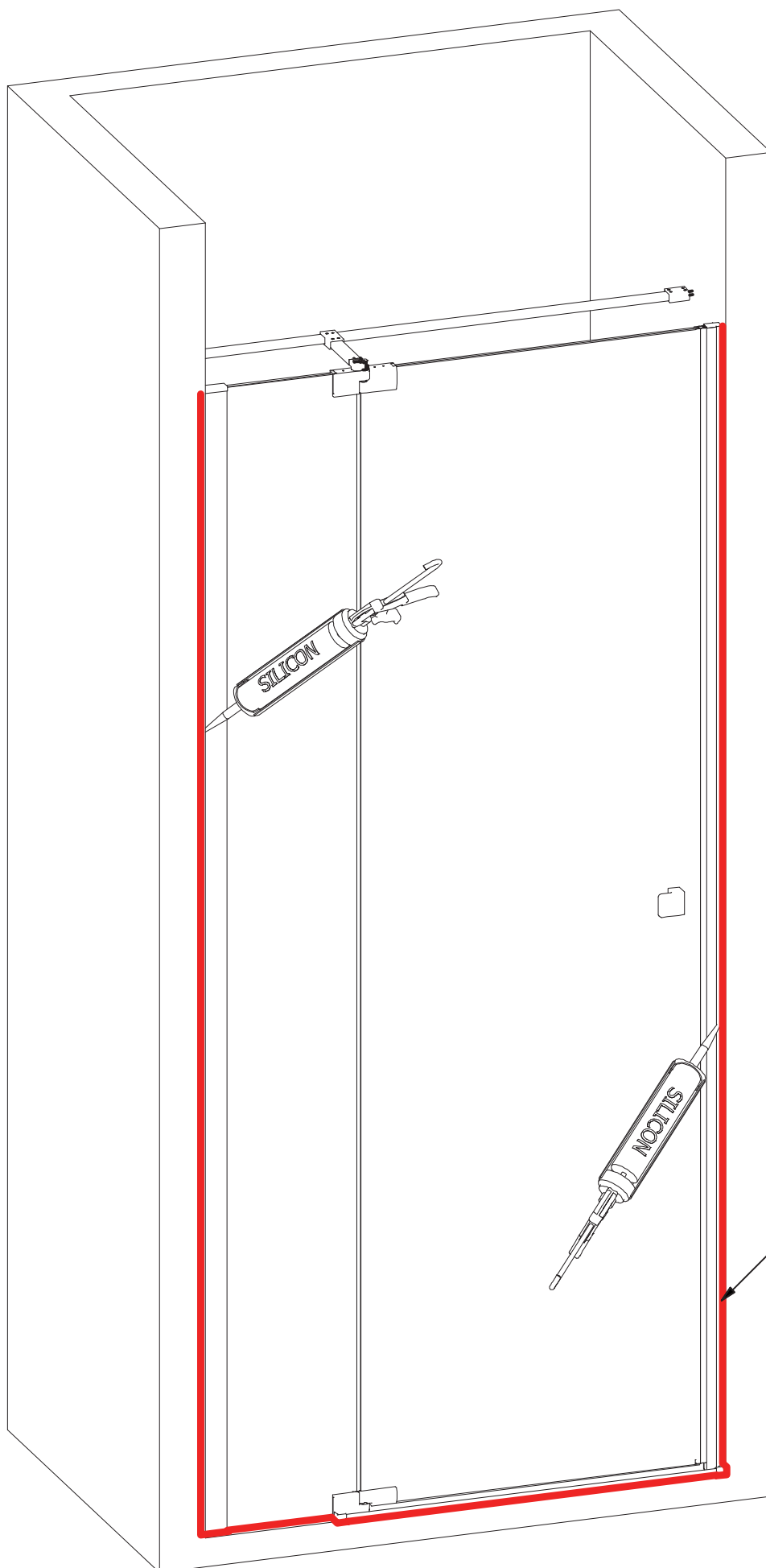






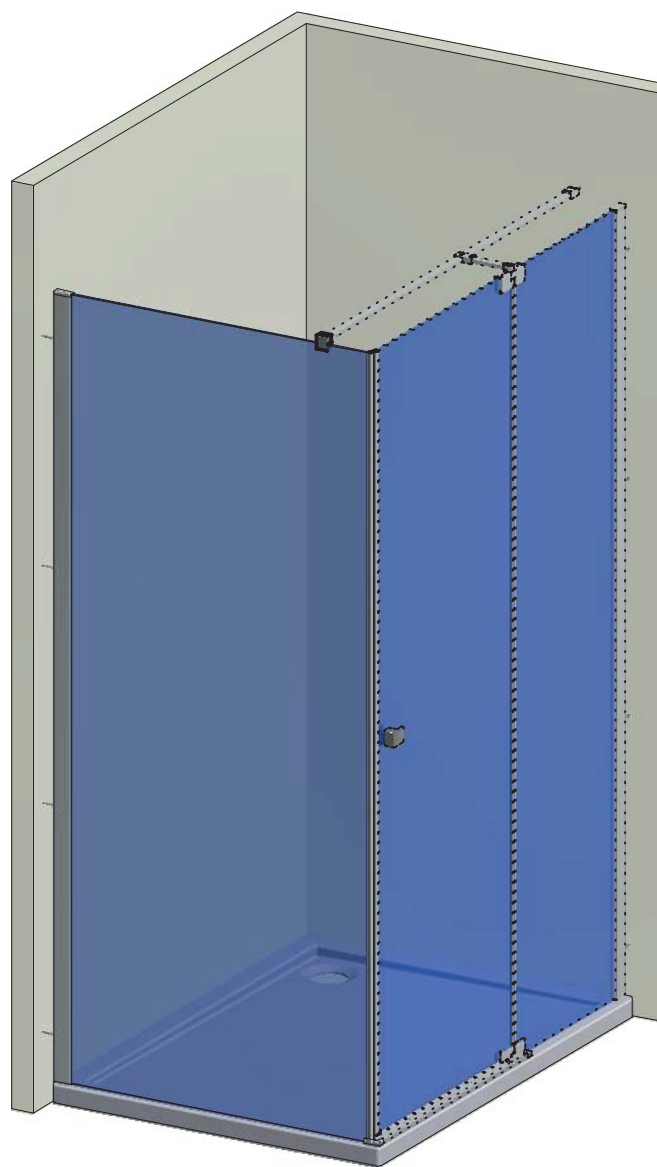
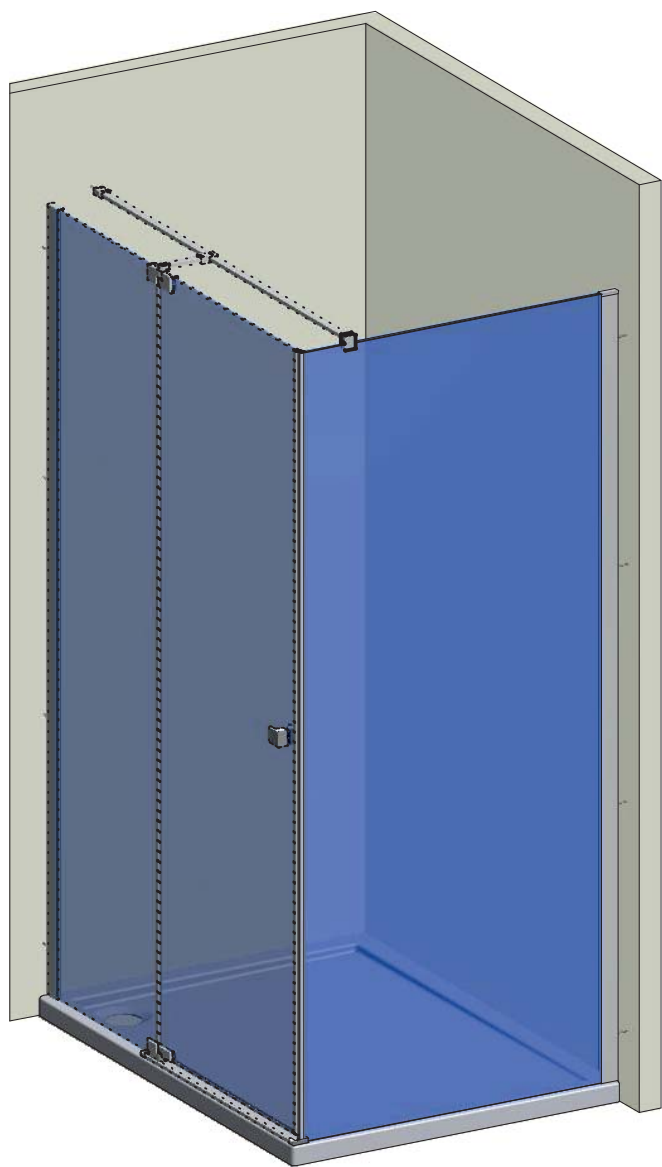




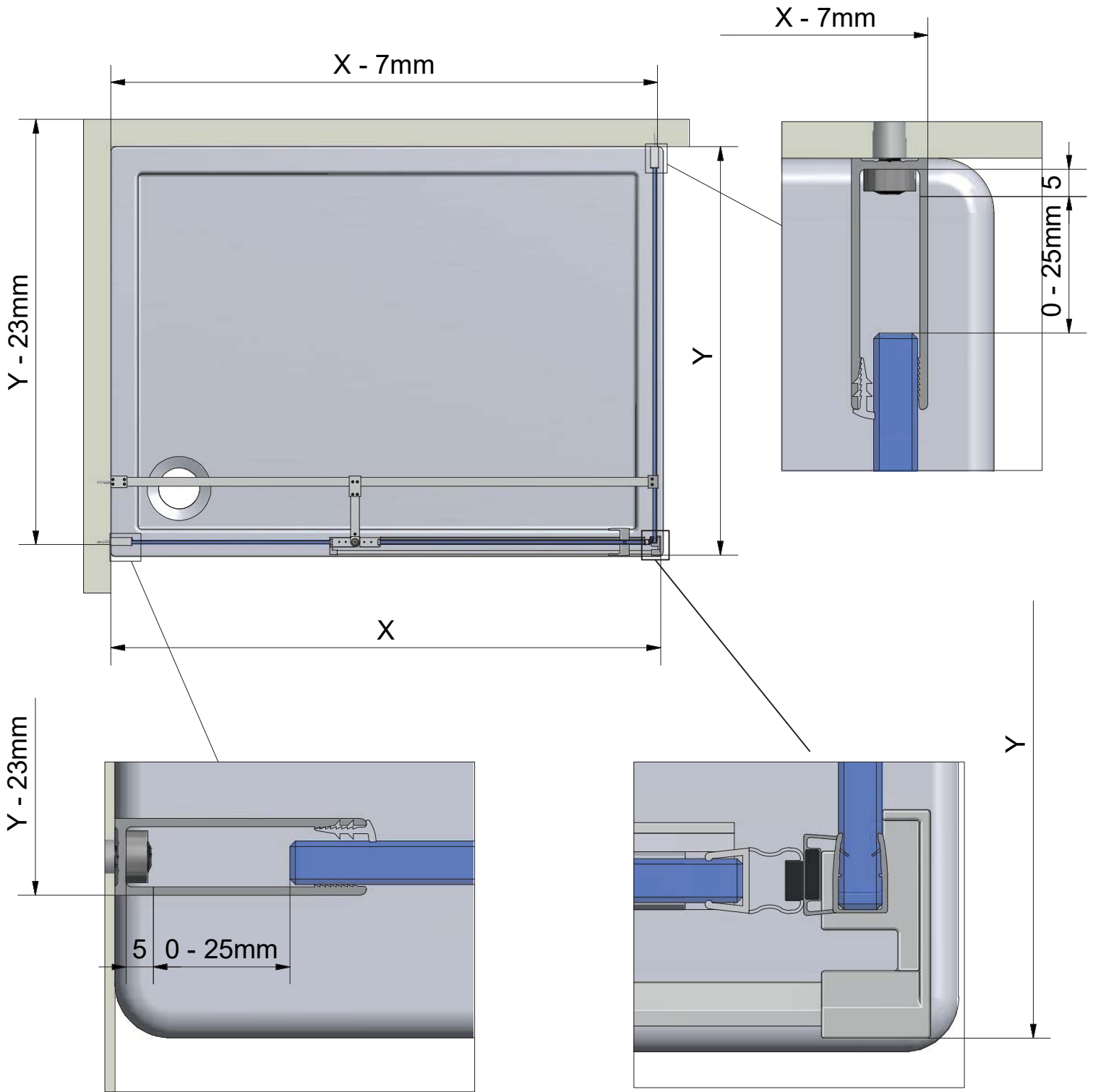


SILICONE

BI PF2 + BI FXP

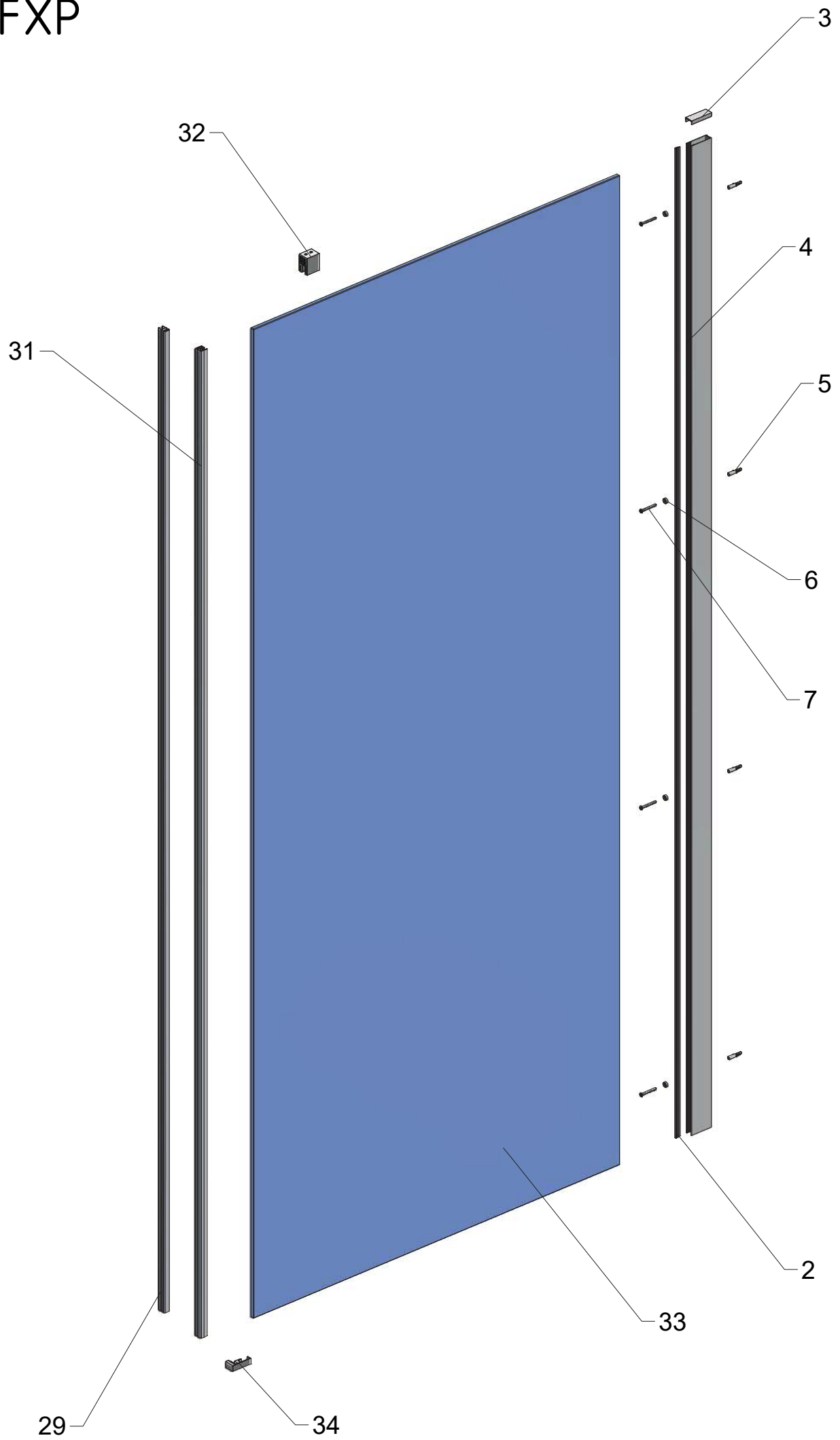


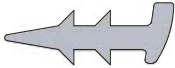
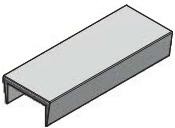




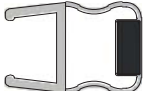


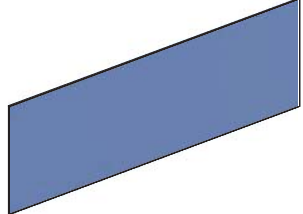
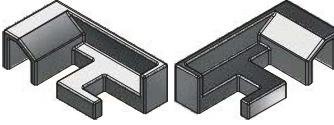
BI PF2 + BI FXP

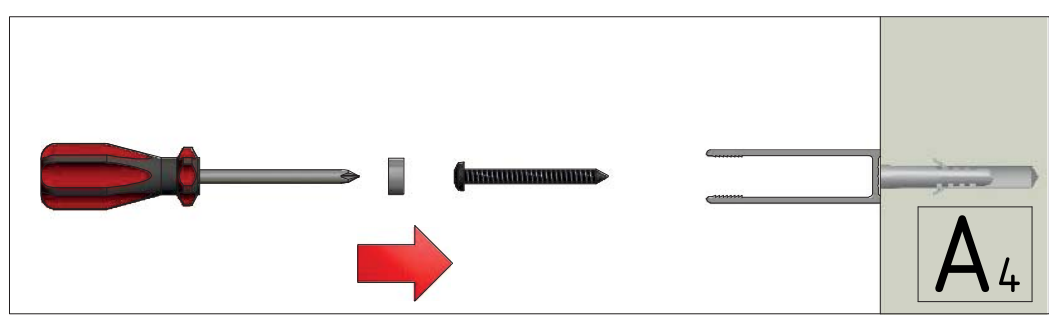
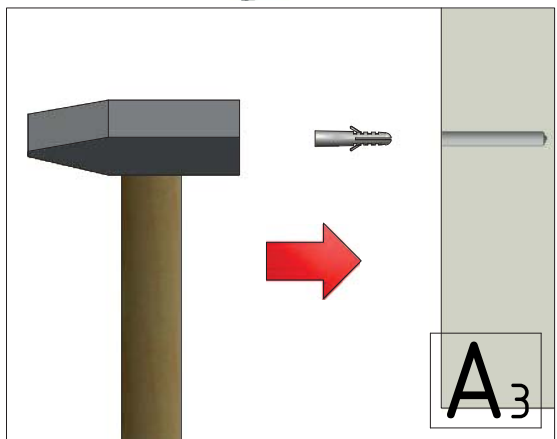
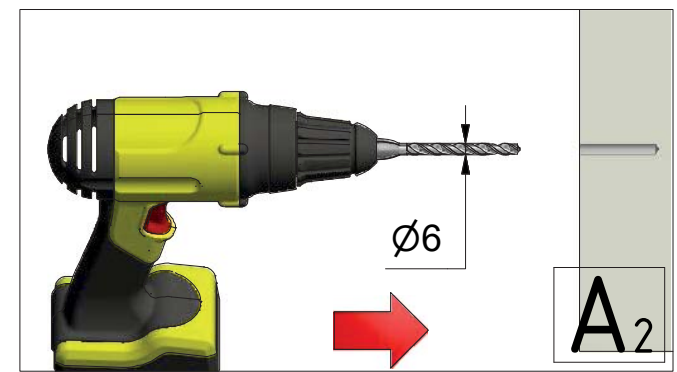
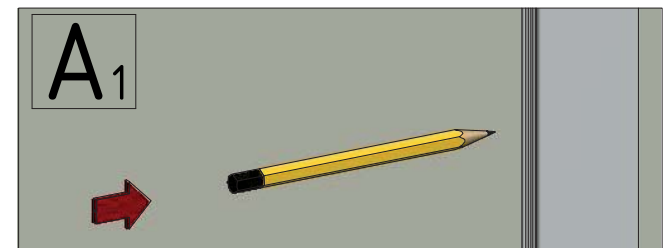
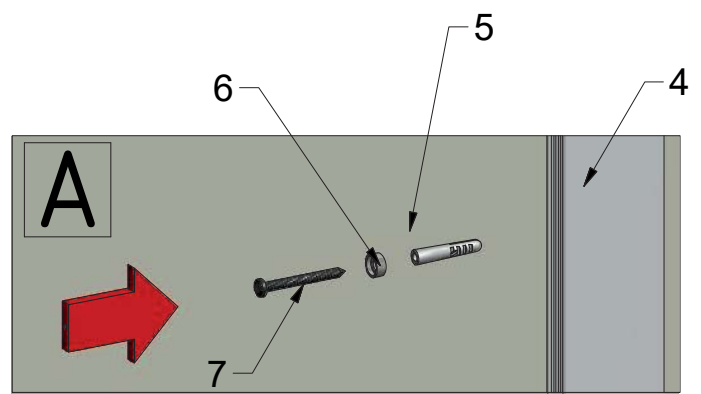
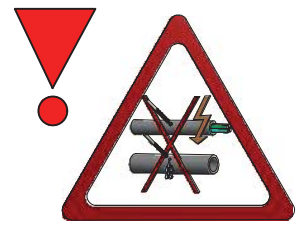
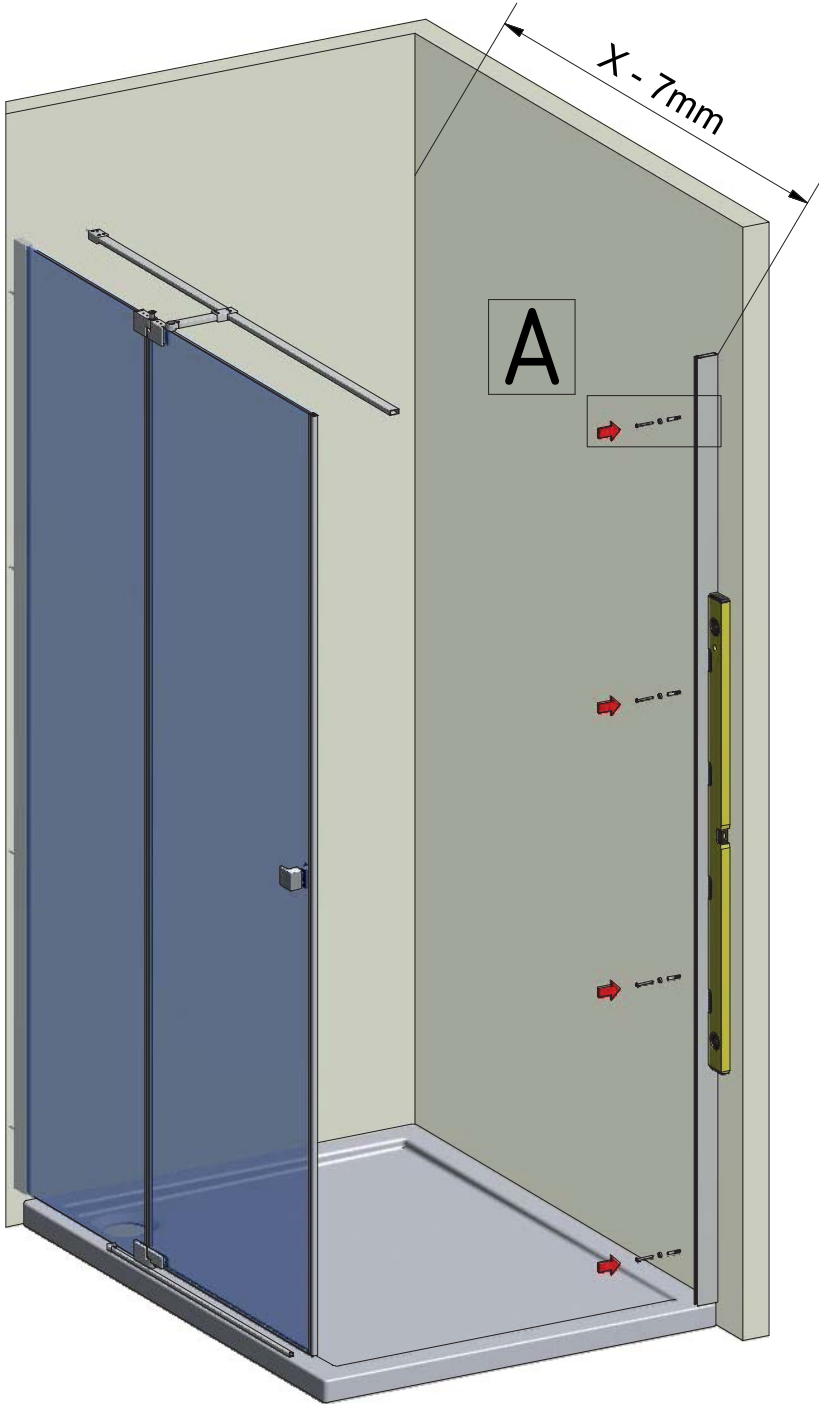


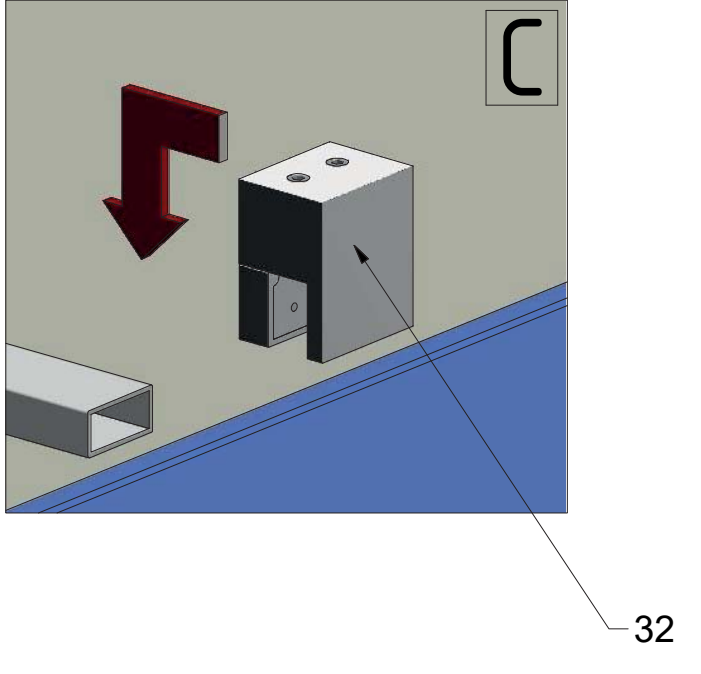
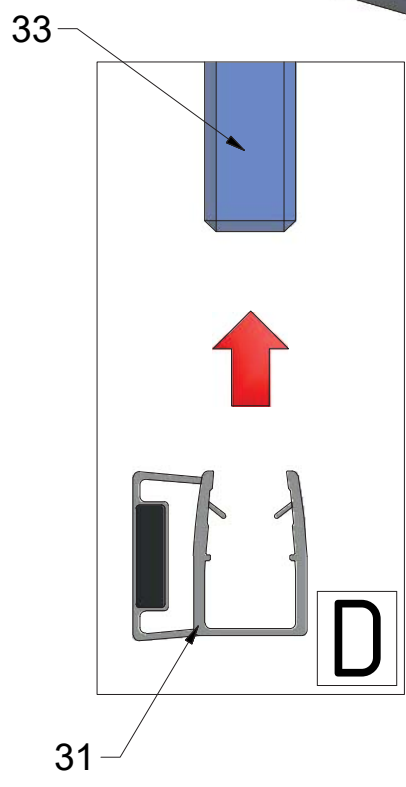
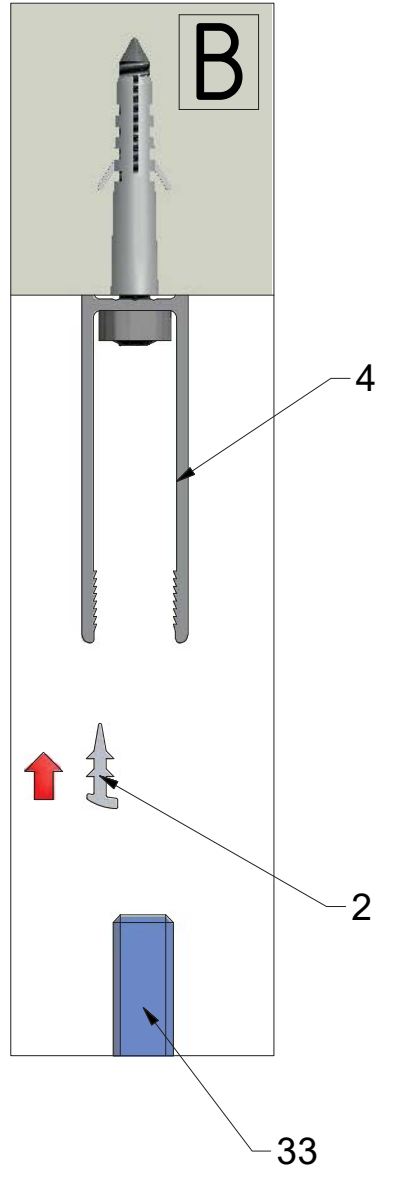
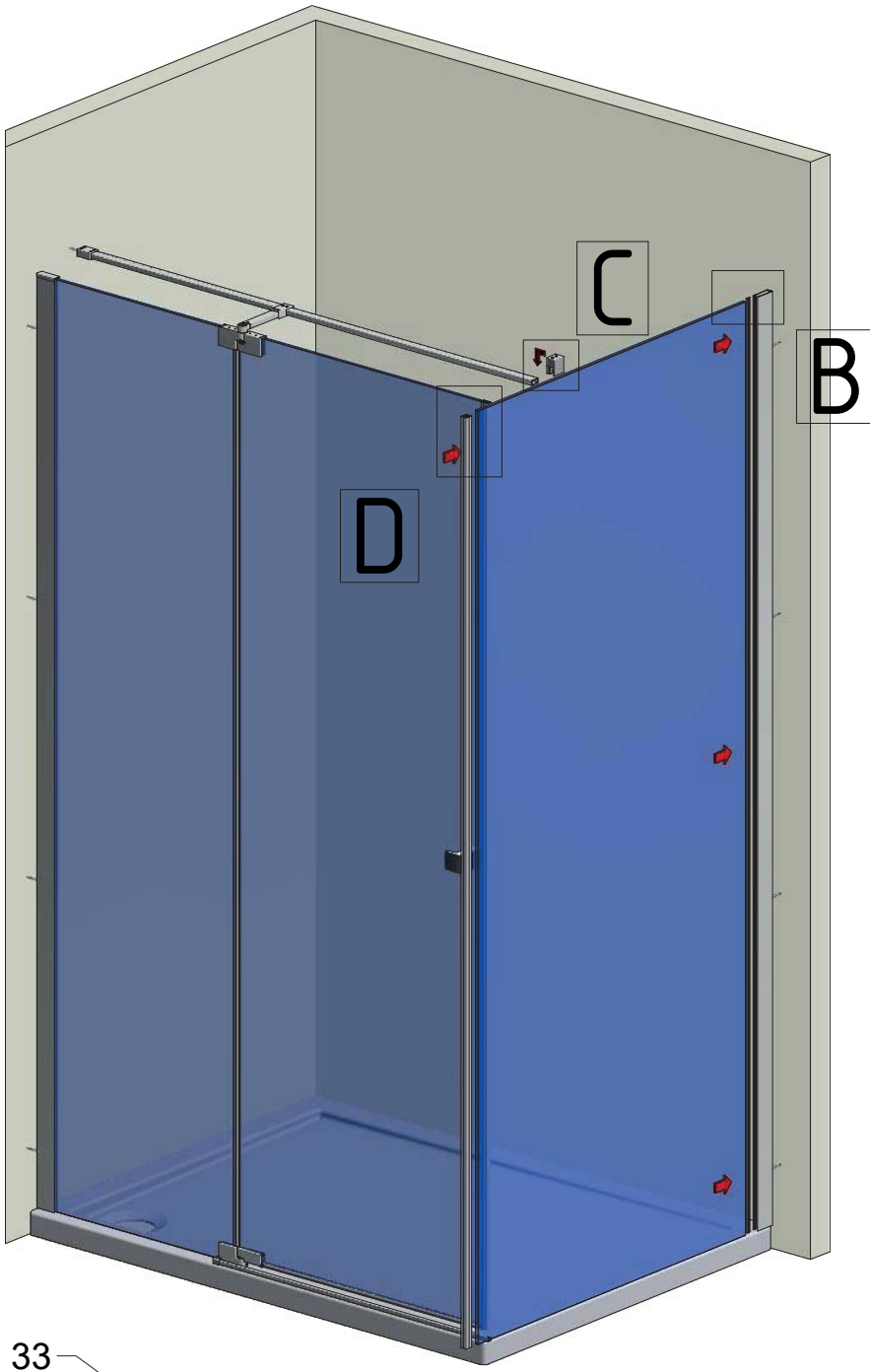
TYPE	X (mm)	Y (mm)
BI PF2 + BI FXP 800	782 - 807	772 - 797
BI PF2 + BI FXP 900	882 - 907	872 - 897
BI PF2 + BI FXP 1000	982 - 1007	972 - 997
BI PF2 + BI FXP 1200	1182 - 1207	-

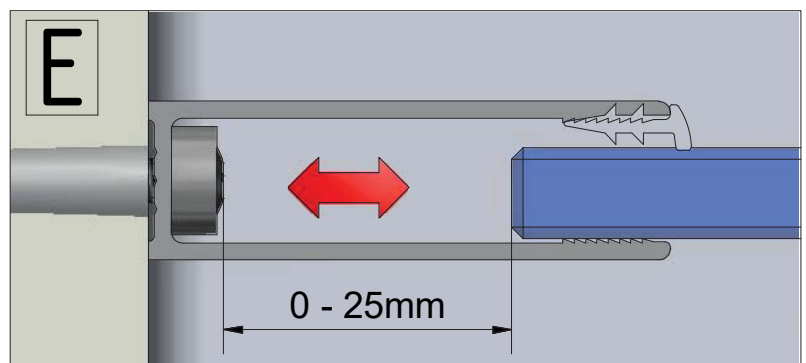
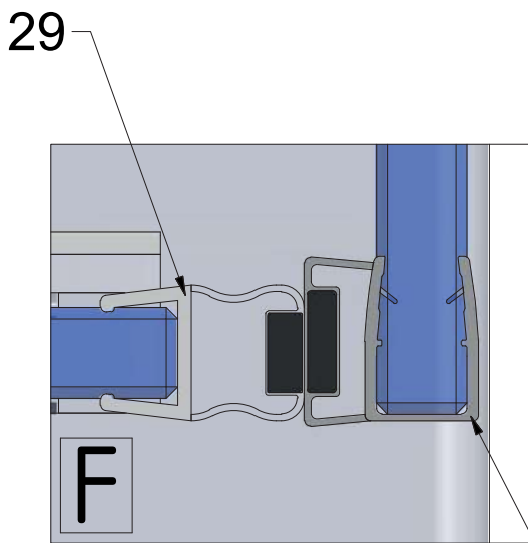
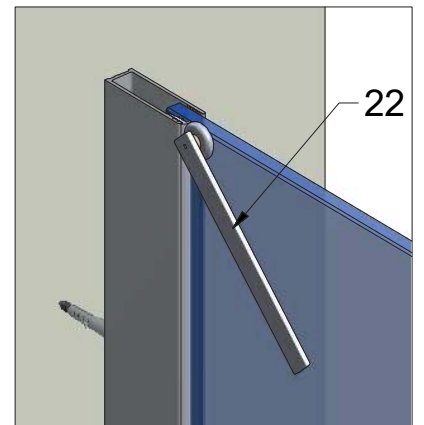
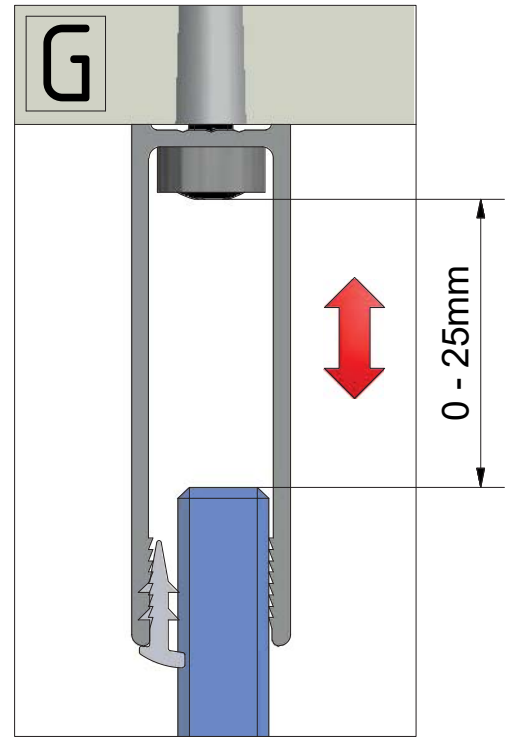
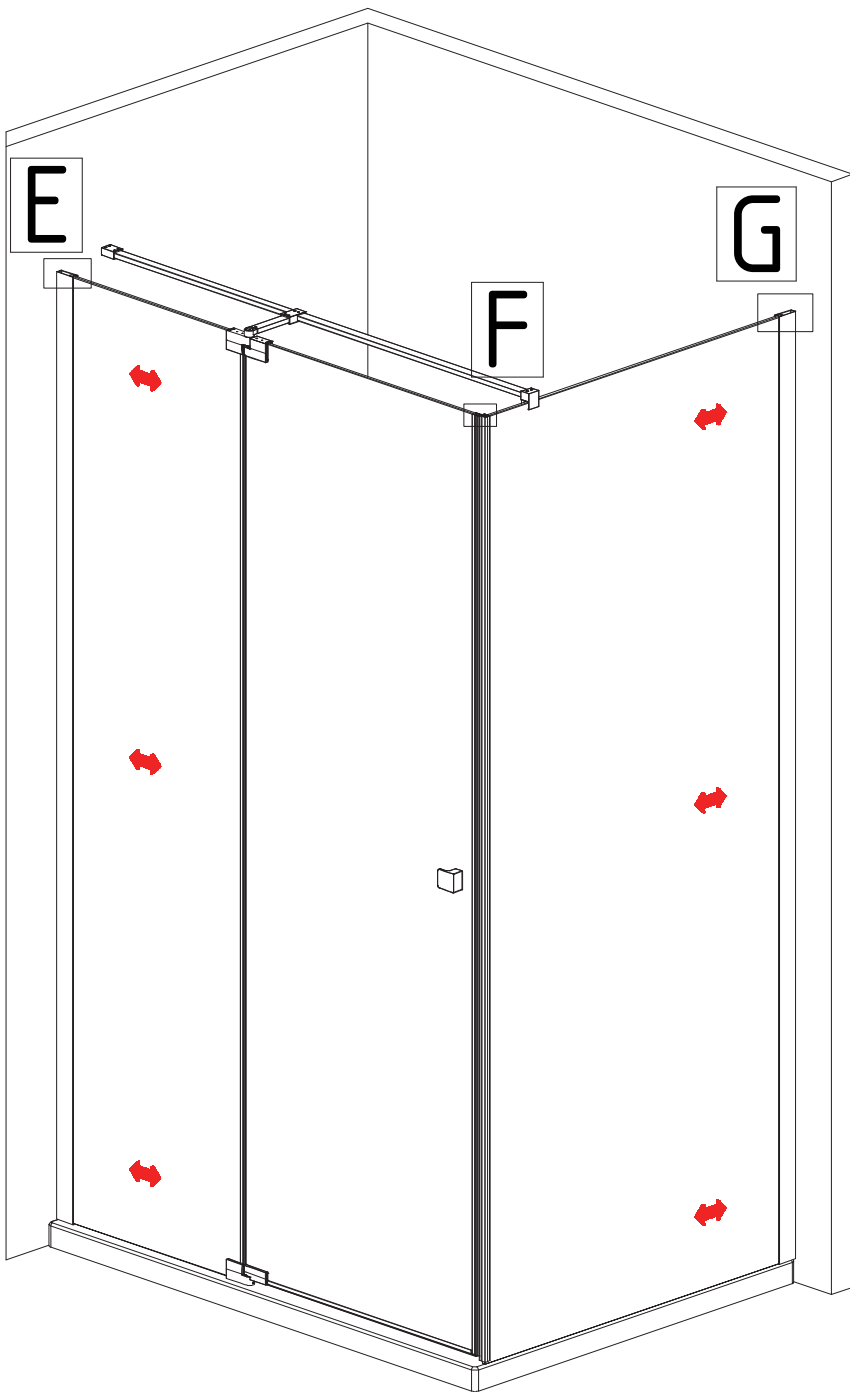
BI FXP



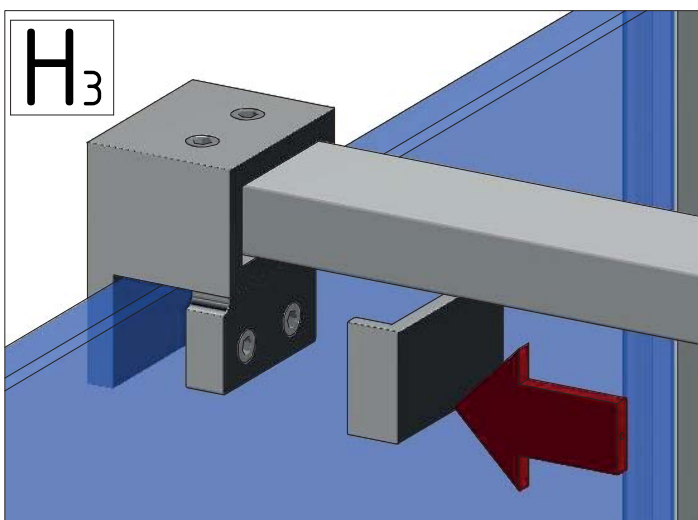
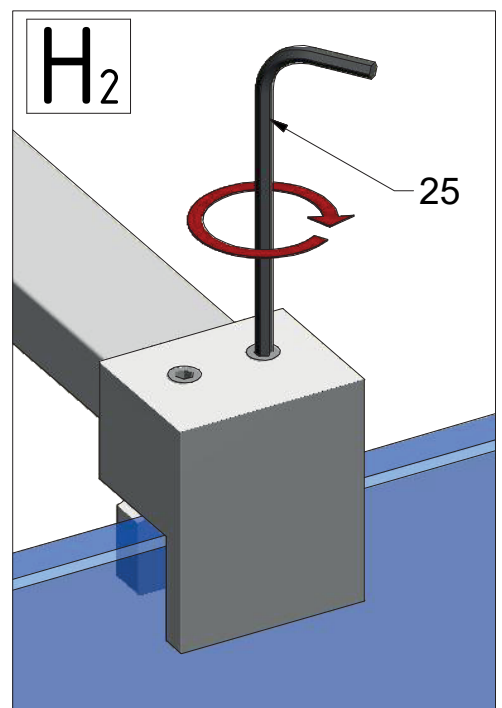
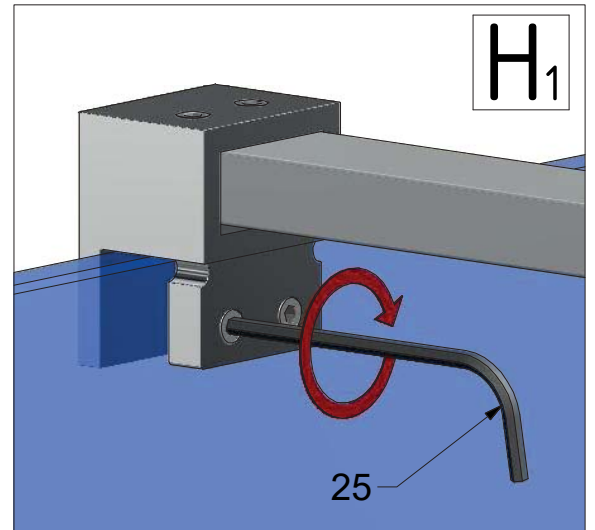
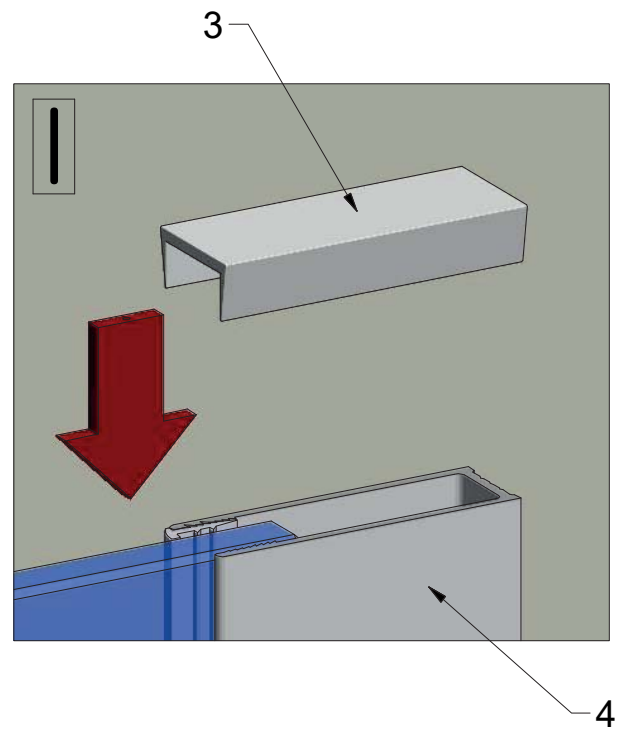
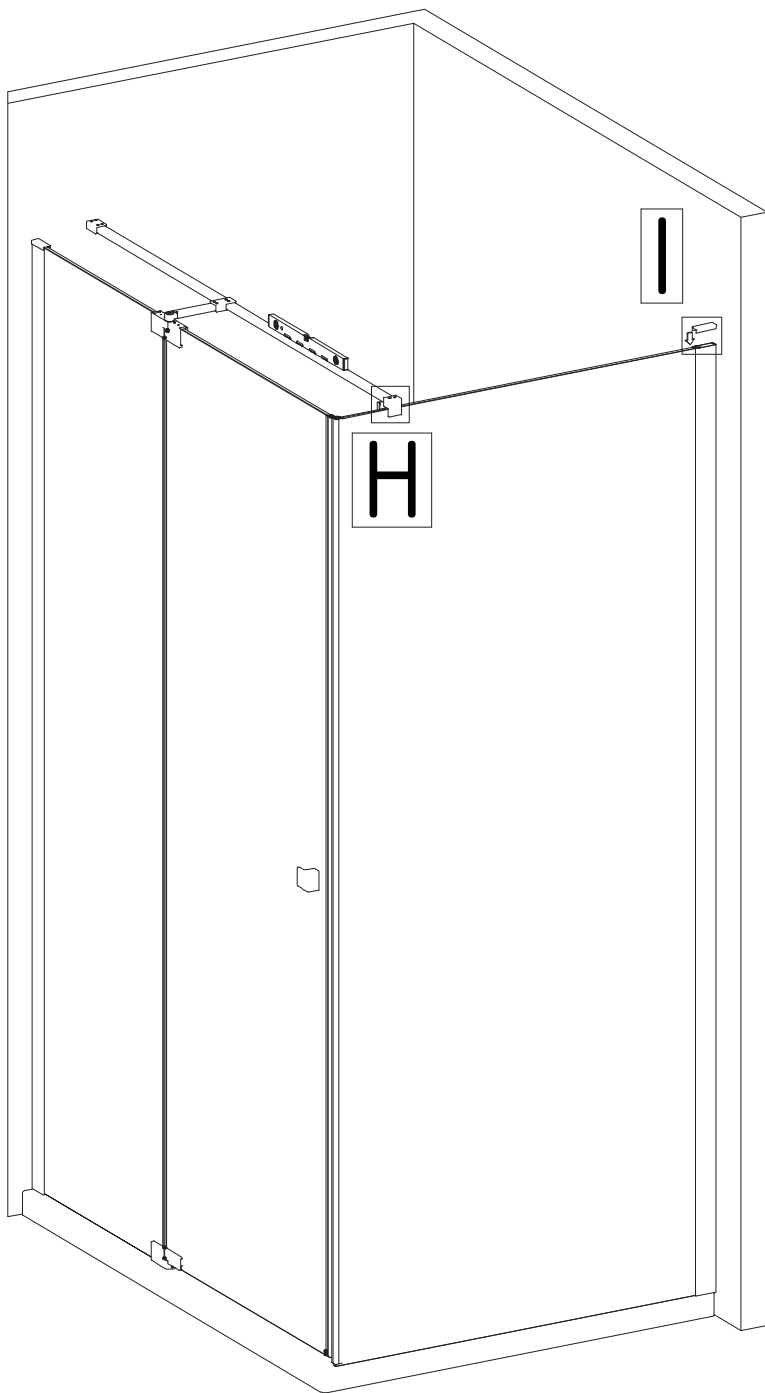
BI FXP			
POS.	PREVIEW	DESCR.	PCS
2		Wedge seal	1
3		Profile cap	1
4		Wall profile	1
5		DOWEL 6	4
6		Washer screw	4
7		ST 3,9 x 35	4
29		Magnet for glass panel	1
31		Magnet	1
32		Struts console	1
33		Glass panel	1
34		End of the sill strip	1+1 (SET)

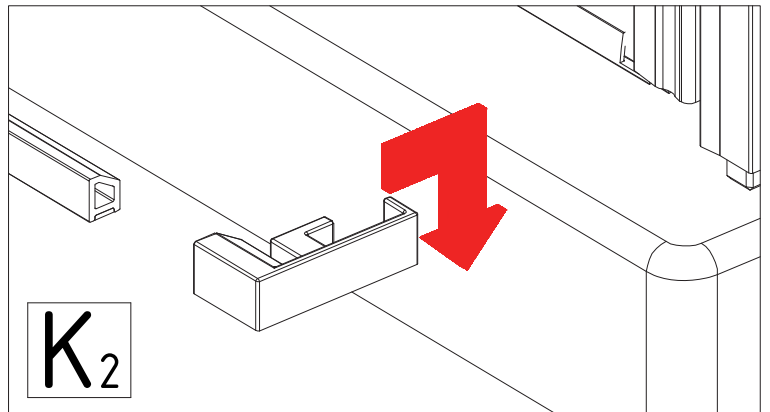
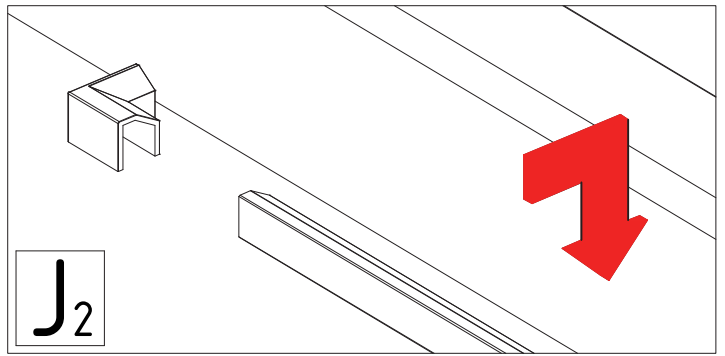
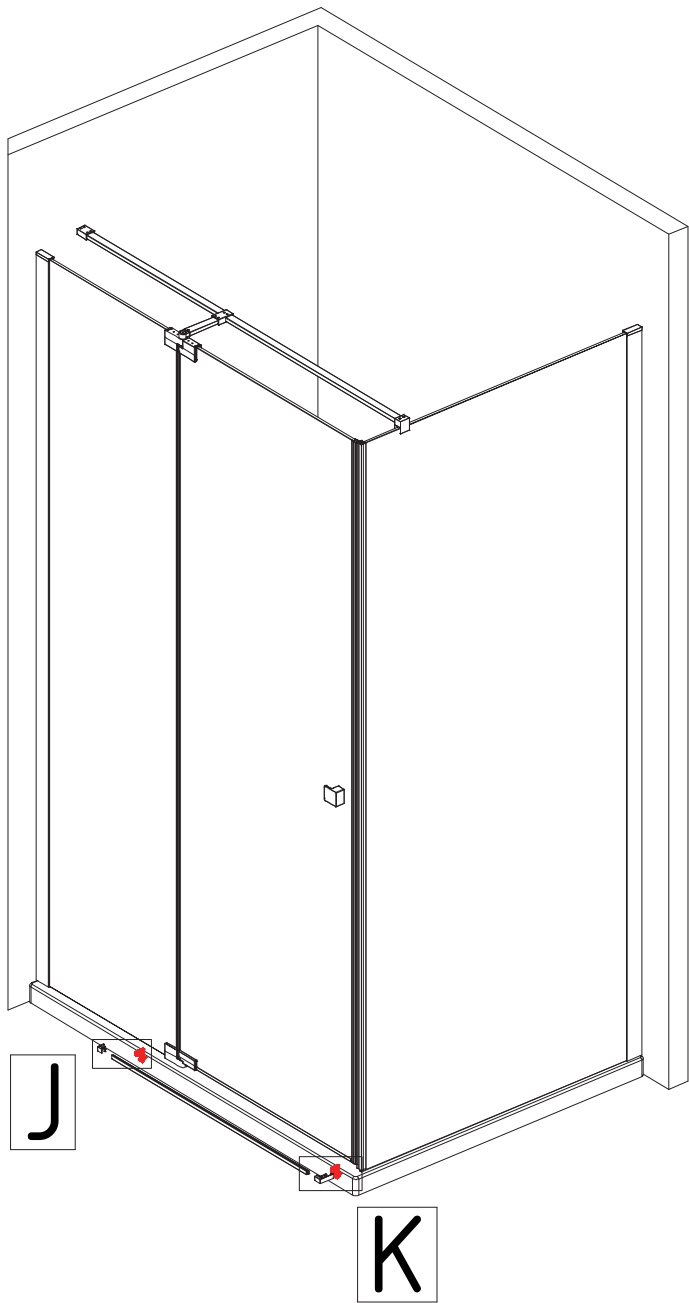






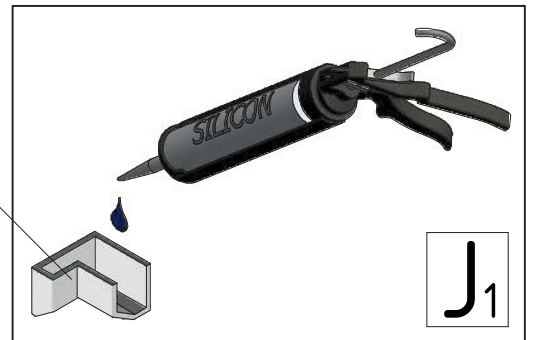
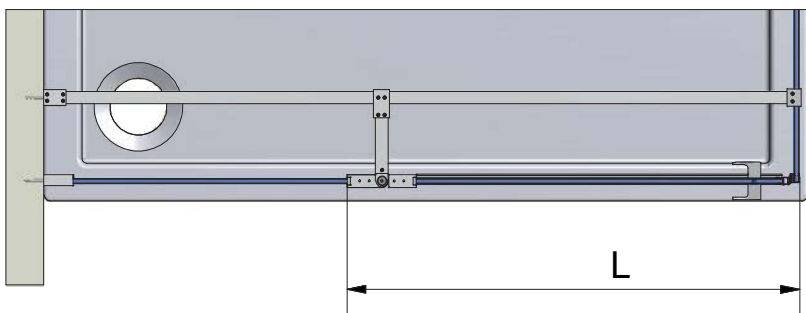
31



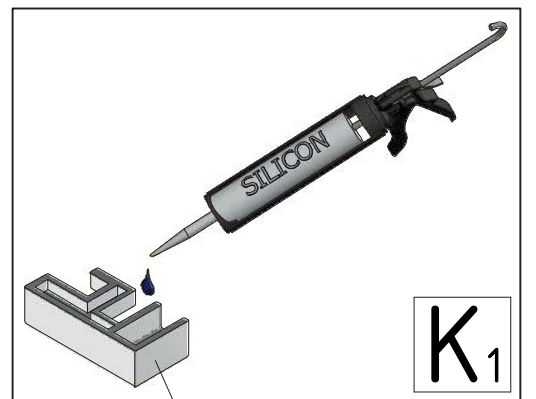


J

K

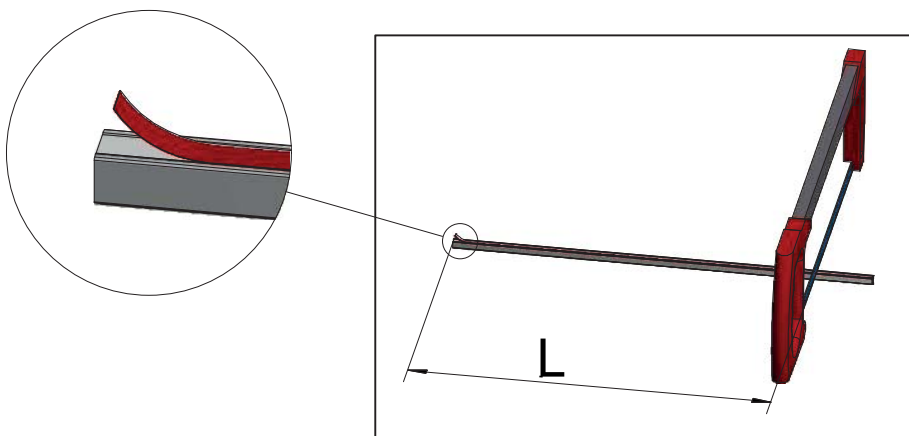


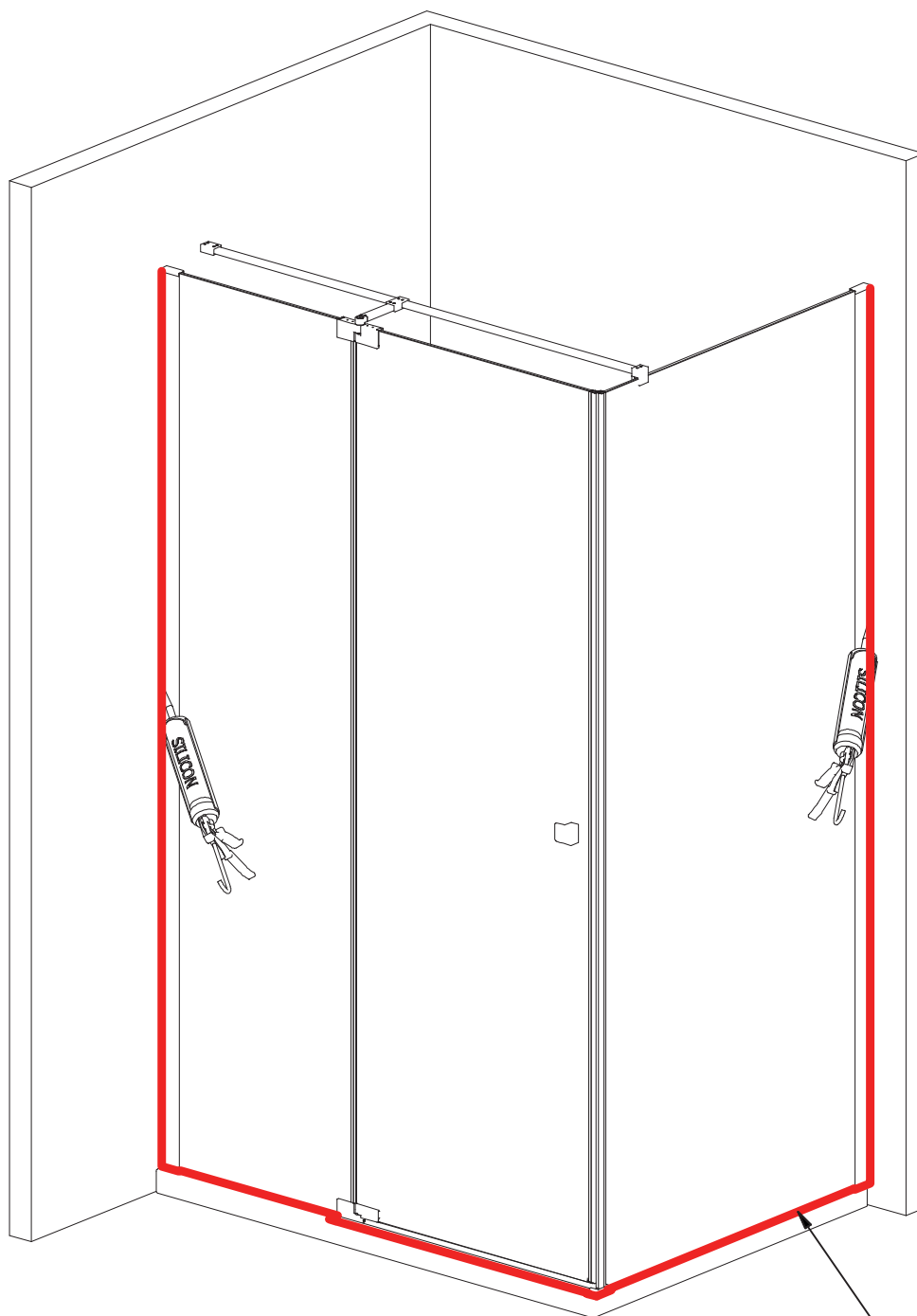
J₁



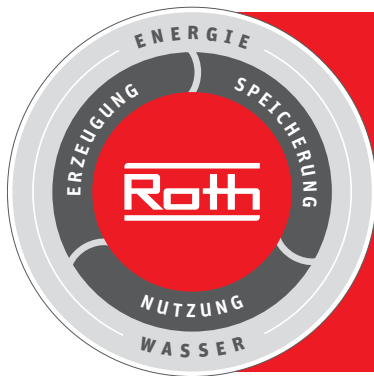
K₁

34





SILICONE



Roth Energy and Sanitary Systems

Generation

- > Solar systems
- > Heat pump systems
- > Solar heat pump systems

Storage

- Storage systems for
- > Domestic & heating water
 - > Combustibles and biofuels
 - > Rainwater and waste water

Application

- > Radiant heating and cooling systems
- > Pipe installation systems
- > Shower systems



■ Deutschland

ROTH WERKE GMBH
Am Seerain 2
35232 Dautphetal
Telefon: 06466/922-0
Telefax: 06466/922-100
E-Mail: service@roth-werke.de
www.roth-werke.de

■ Czech Republic

Roth Czech s.r.o.
Třebořov 160
569 33 Třebořov
Tel.: +420 461 324 301
Fax.: +420 461 324 297
E-Mail: objednavky@roth-czech.cz
www.roth-czech.cz