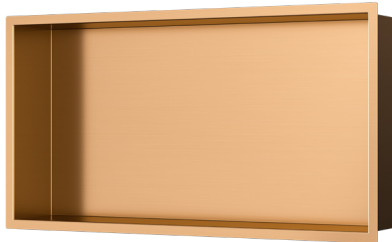
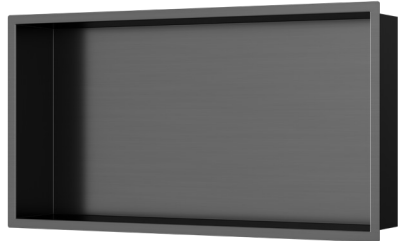
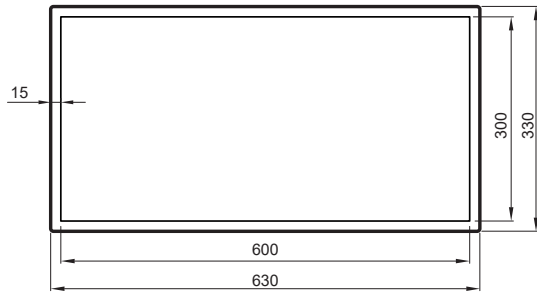


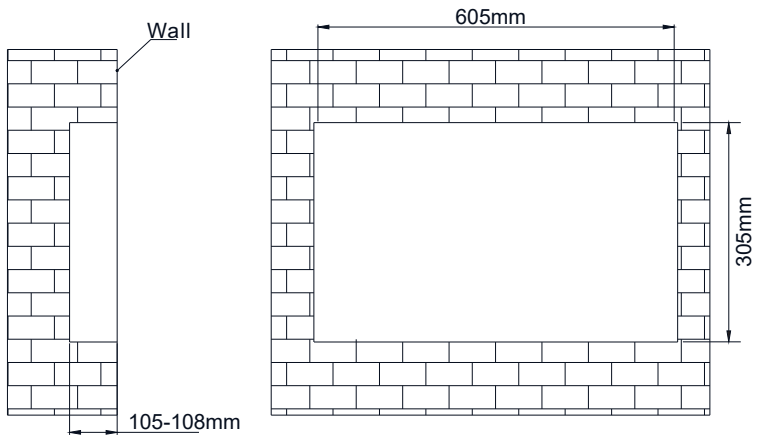


**SATAURN6030BS**  
**SATAURN6030BG**  
**SATAURN6030BRG**  
**SATAURN6030BGM**  
**SATAURN6030MB**

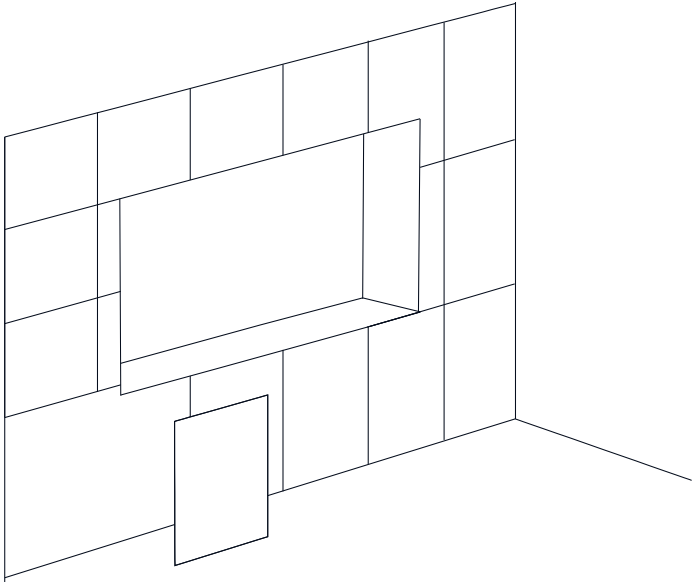




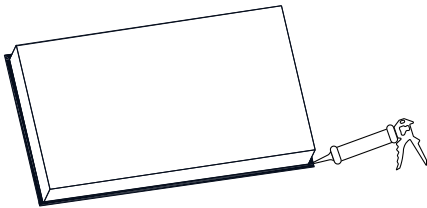
1



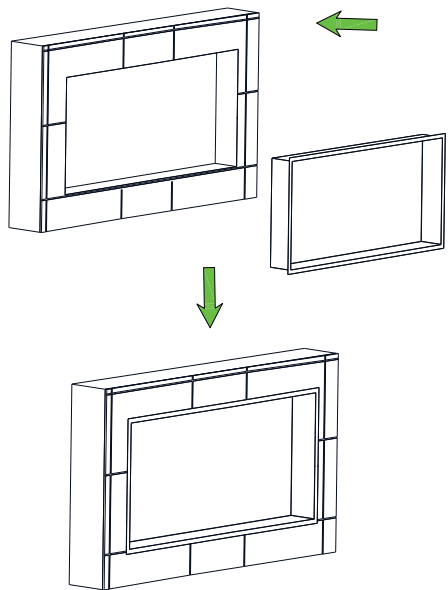
2



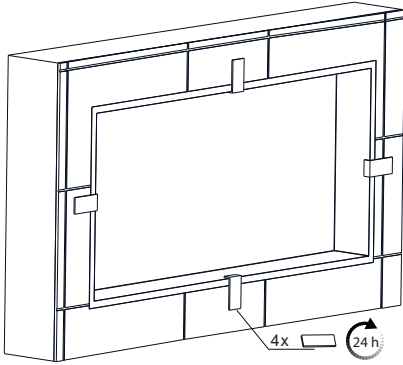
3



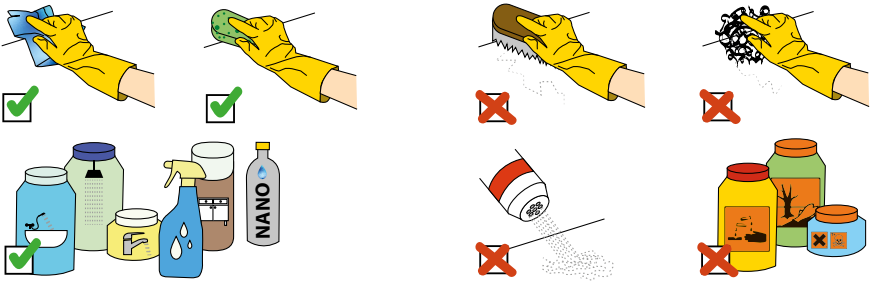
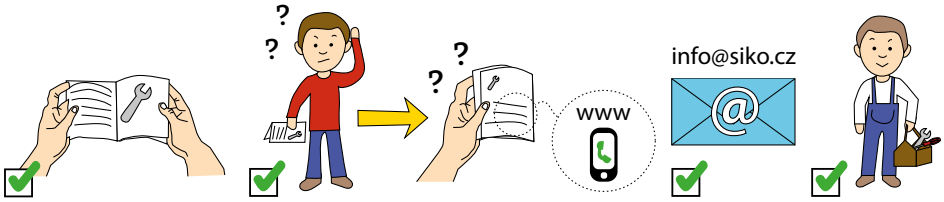
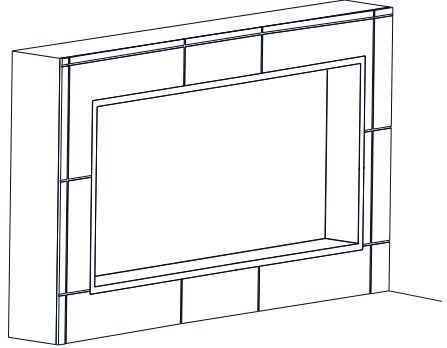
4



5



6



SAT® is registered trademark of



**Swiss  
Aqua  
Technologies**

**Swiss Aqua Technologies AG**  
 Gewerbstrasse 9, 6330 Cham, Switzerland  
[www.swatec.ch](http://www.swatec.ch)  
 Imported by SIKO KOUPELNY a.s.  
 Made in P.R.C.