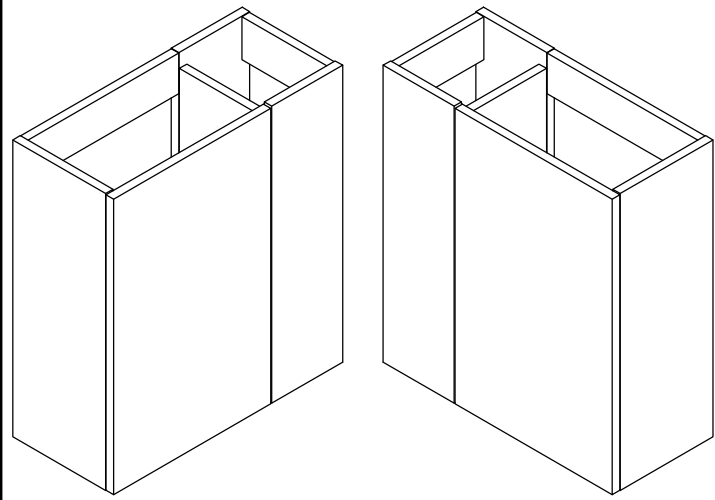
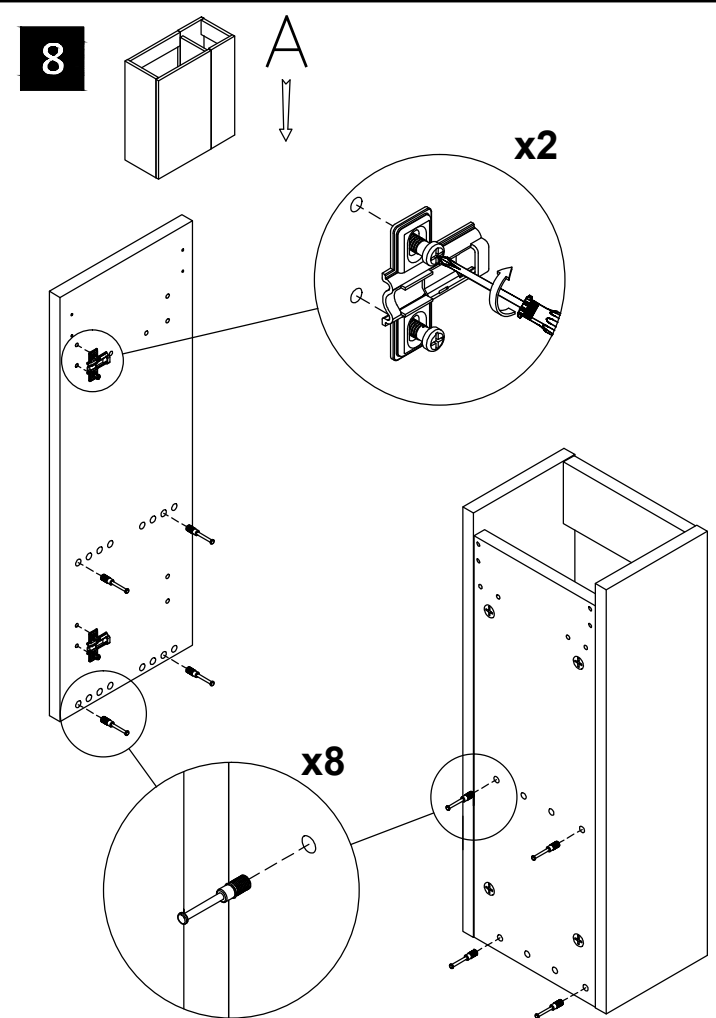
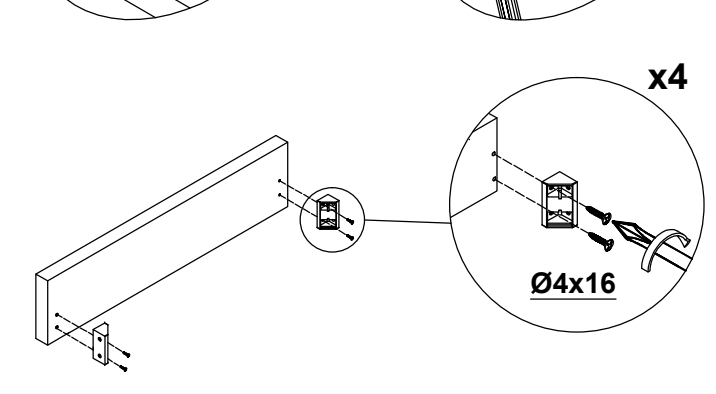
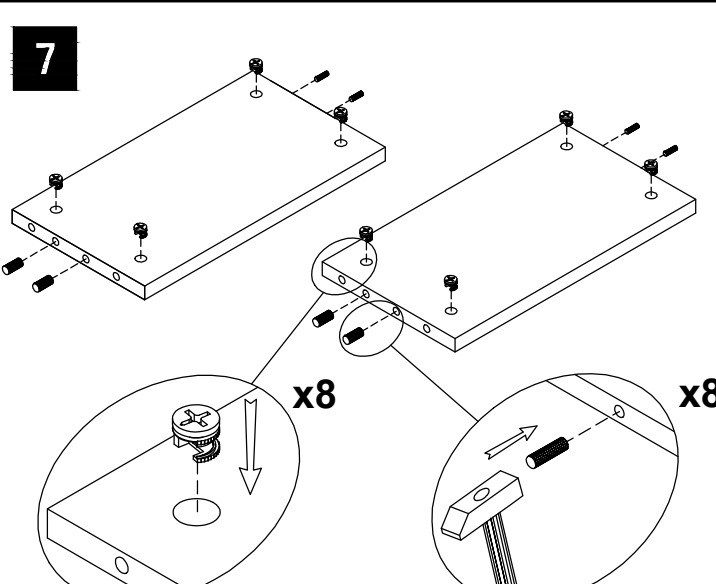
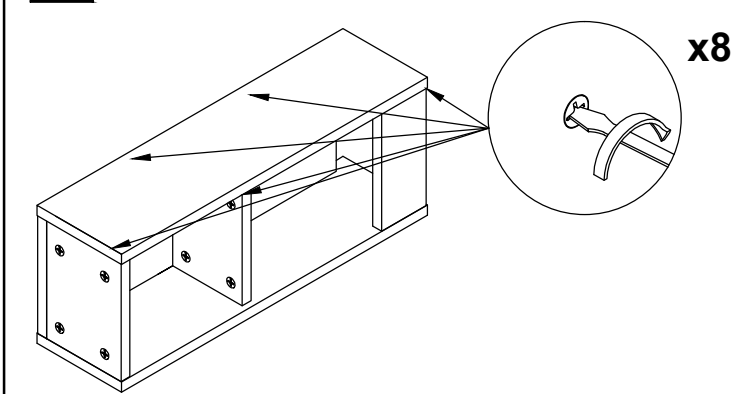
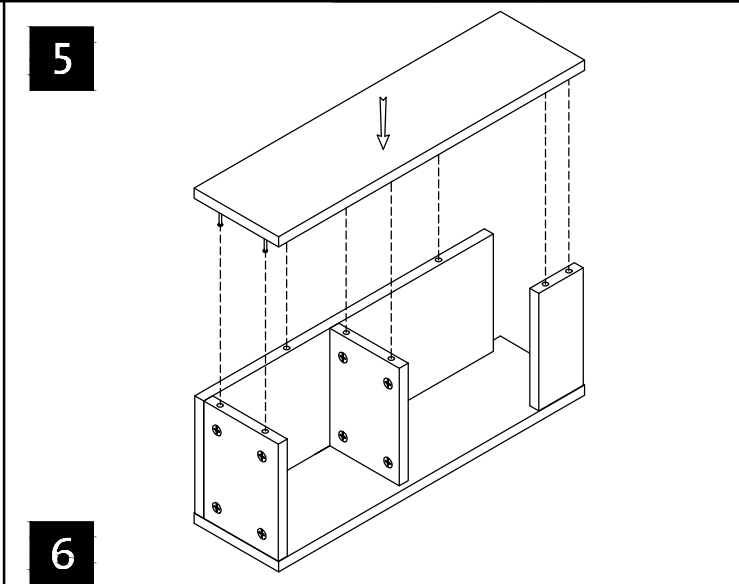
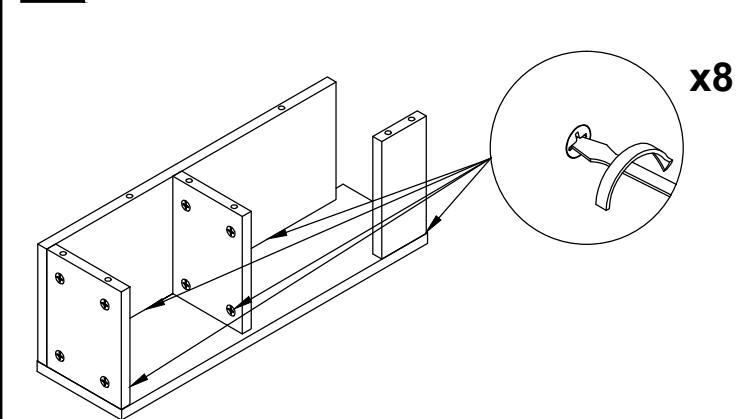
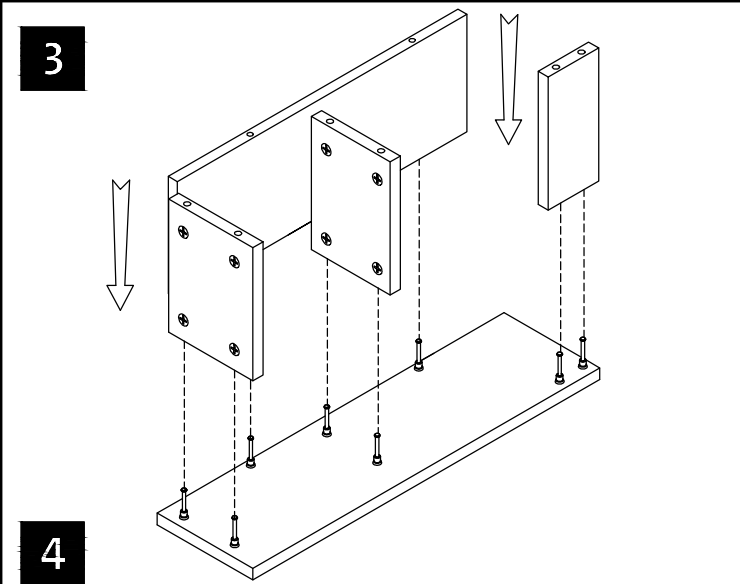
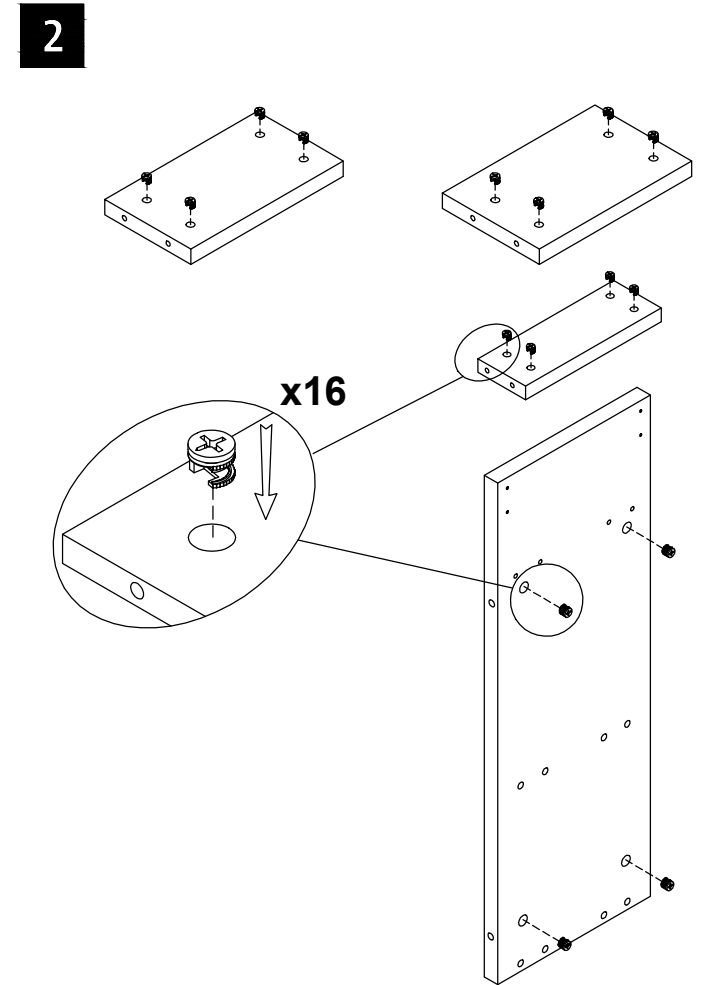
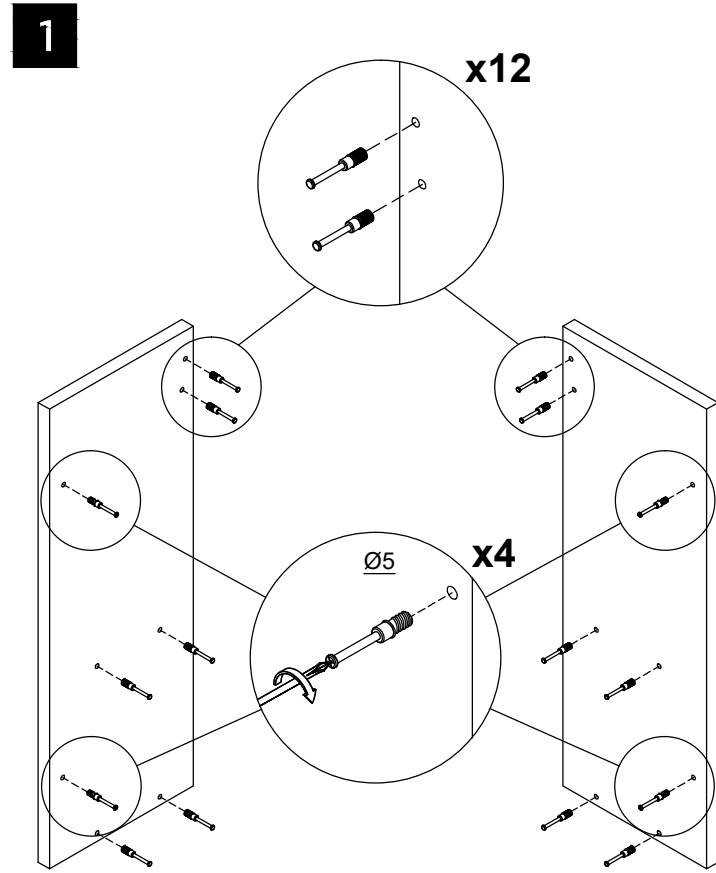
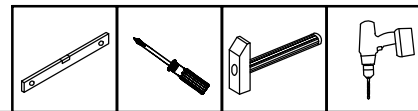
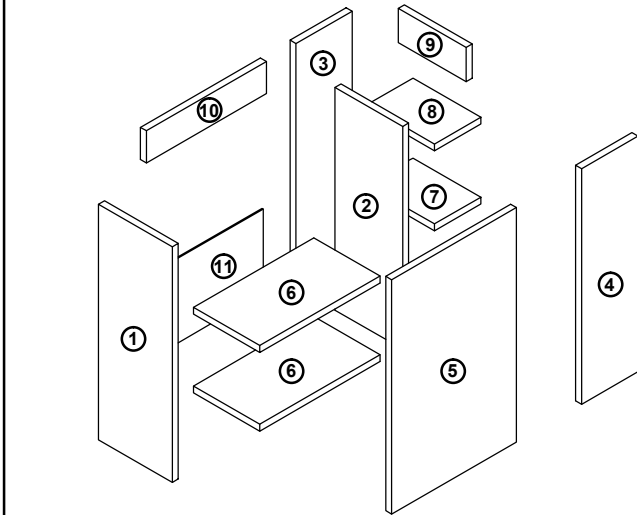


cersanit

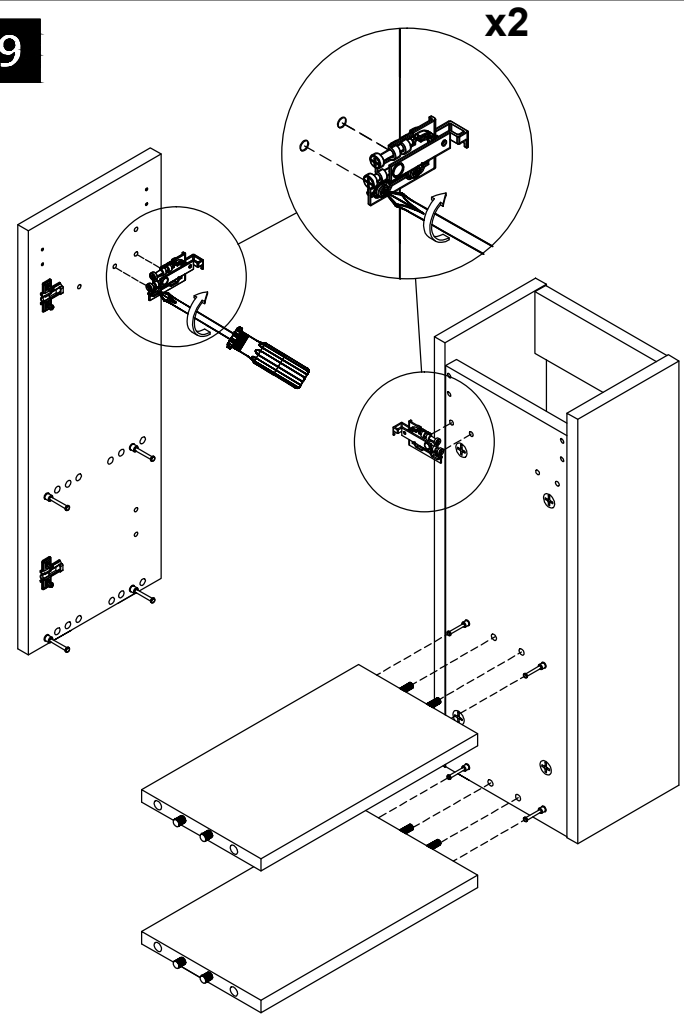


8 A → **14** **15** B → **21**

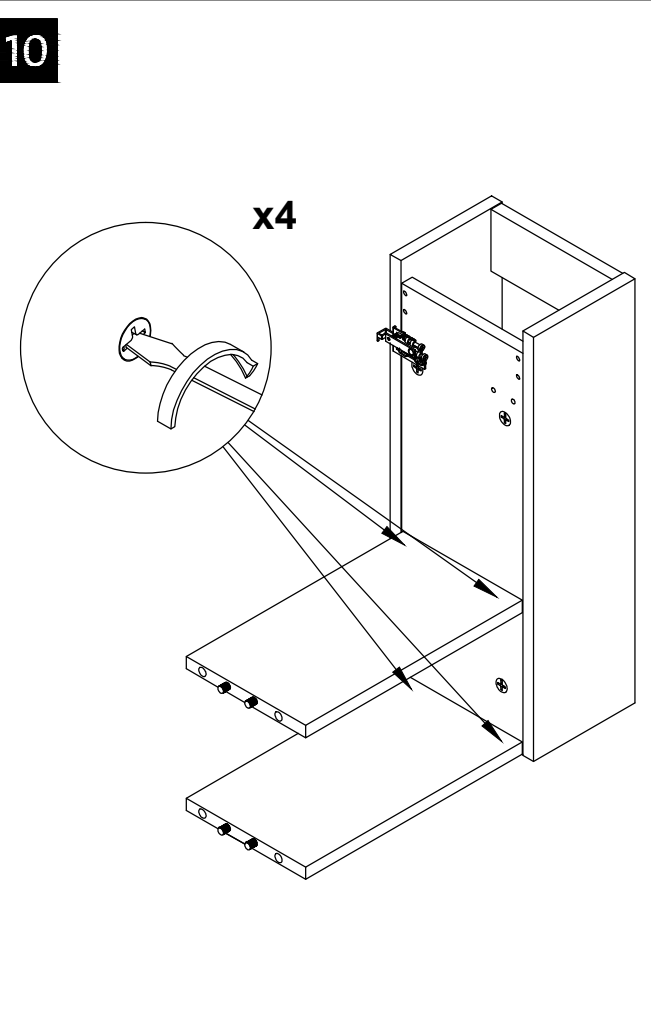
x24	Ø15 x24	Ø4x16 x12	Ø8x30 x8	x2	2x	x2
x2	x2	Ø1,2x20 x20	Ø5 x4			



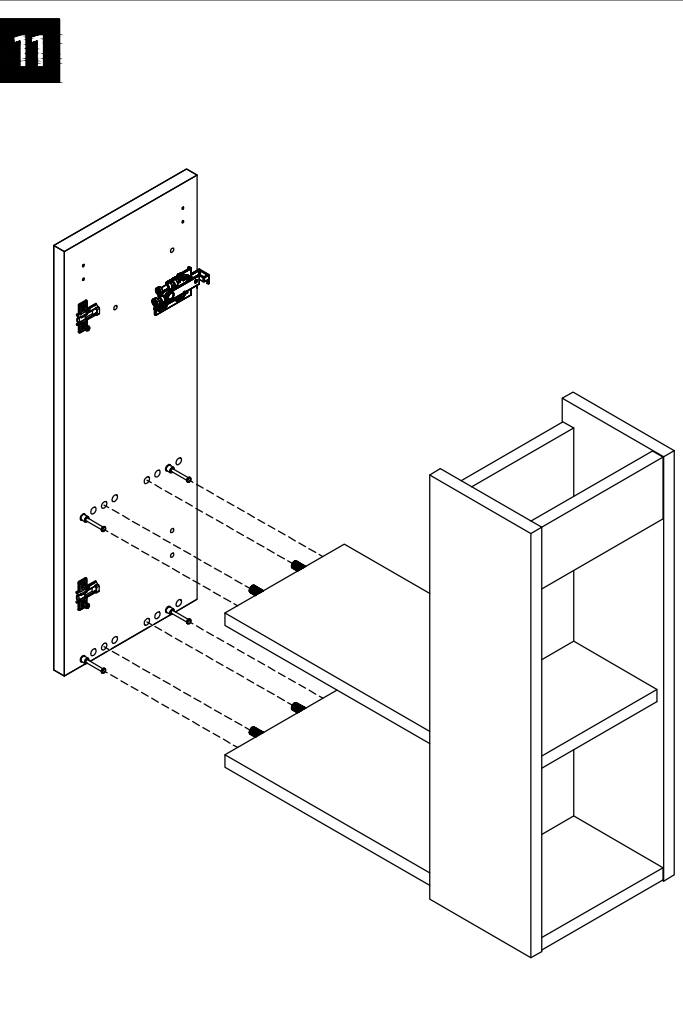
9



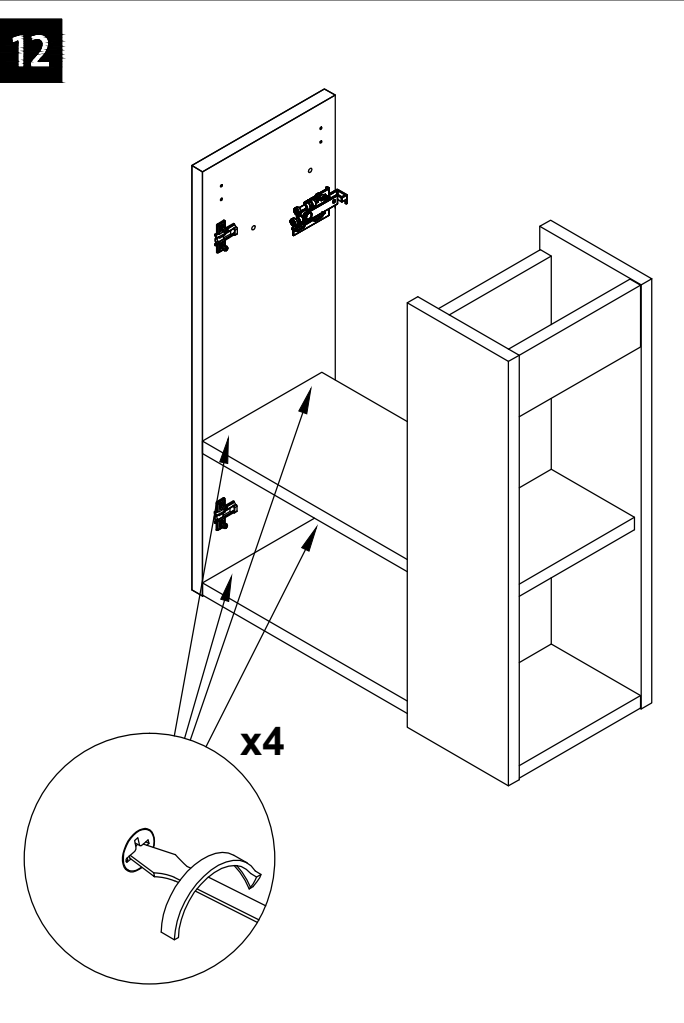
10



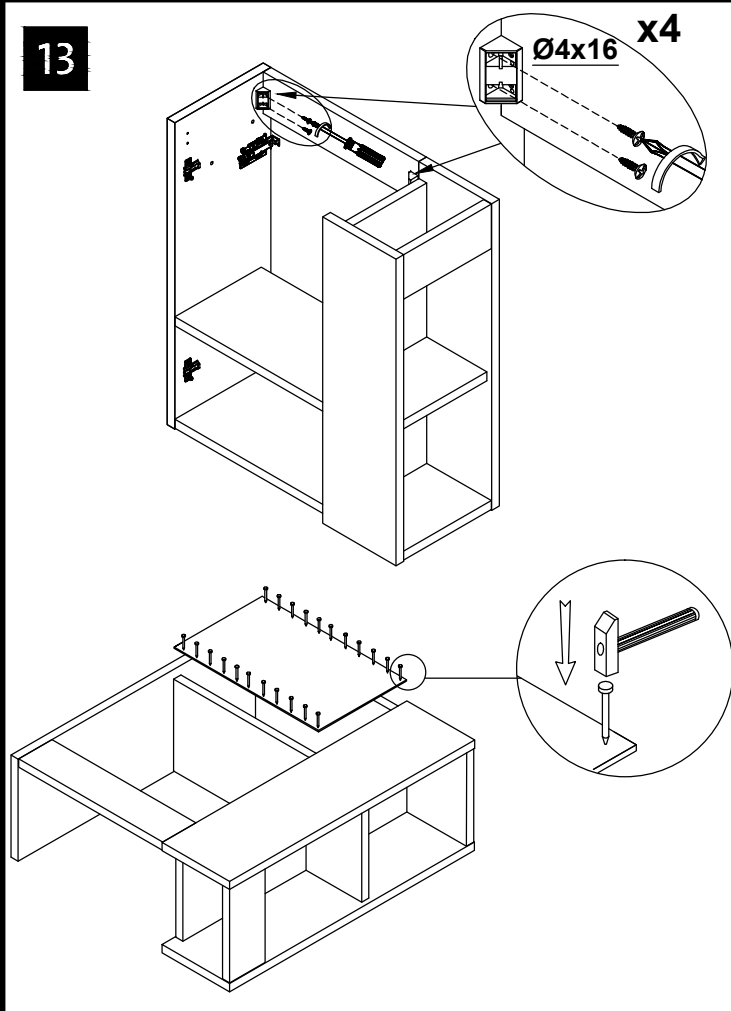
11



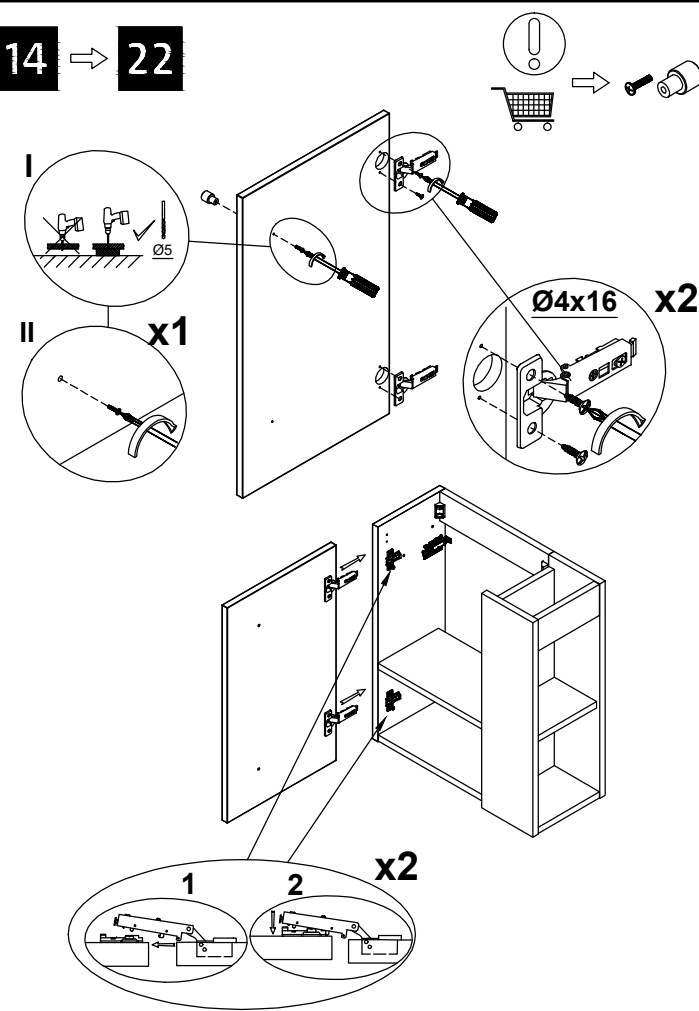
12



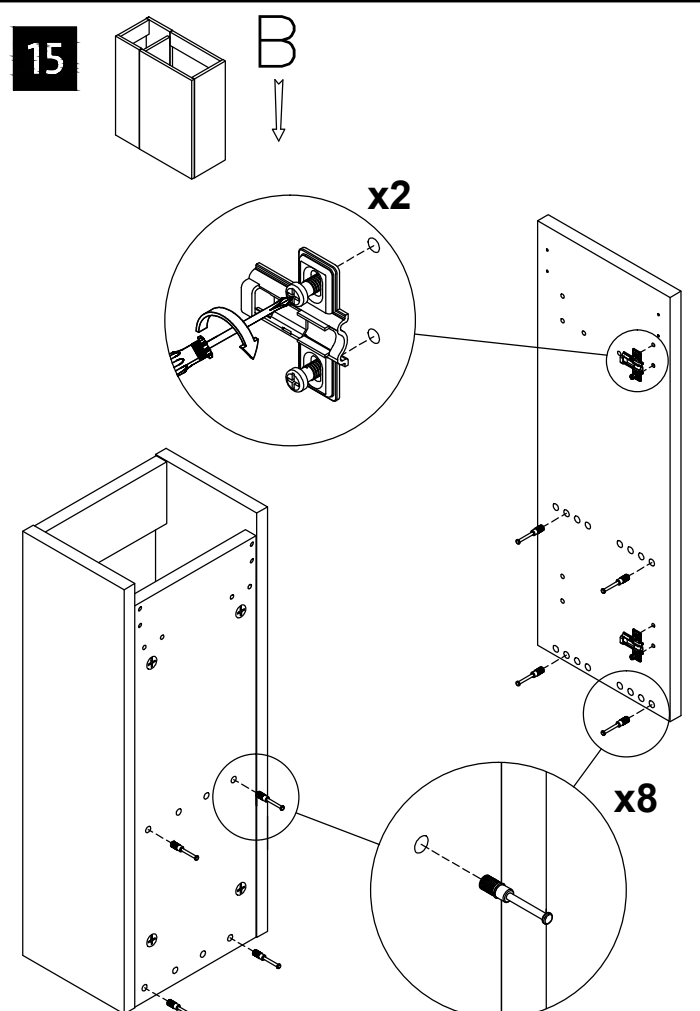
13



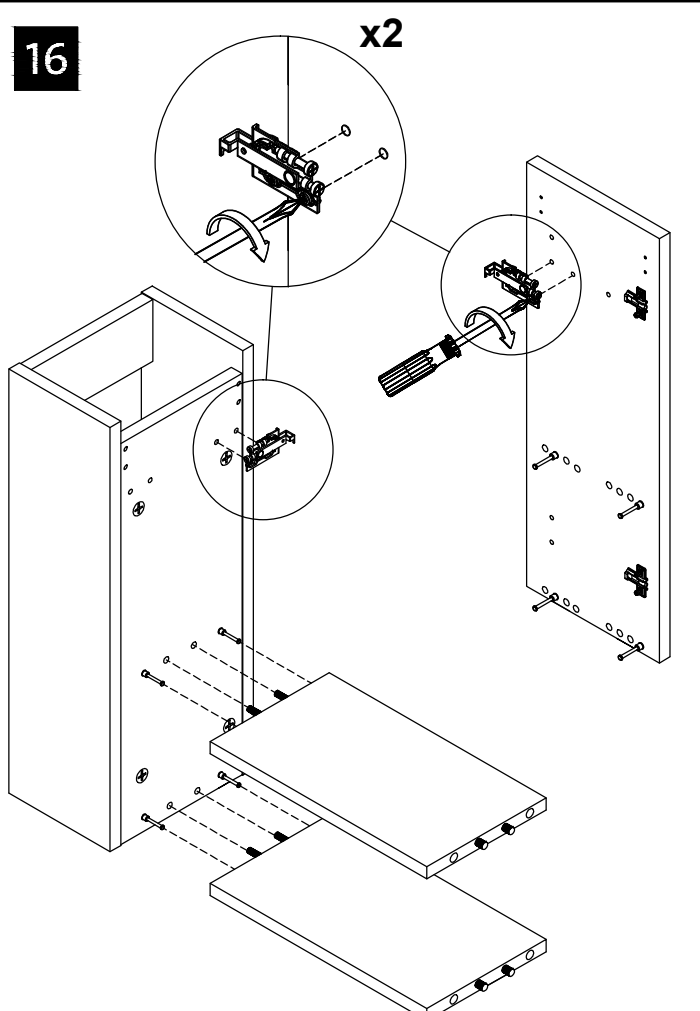
14 → 22



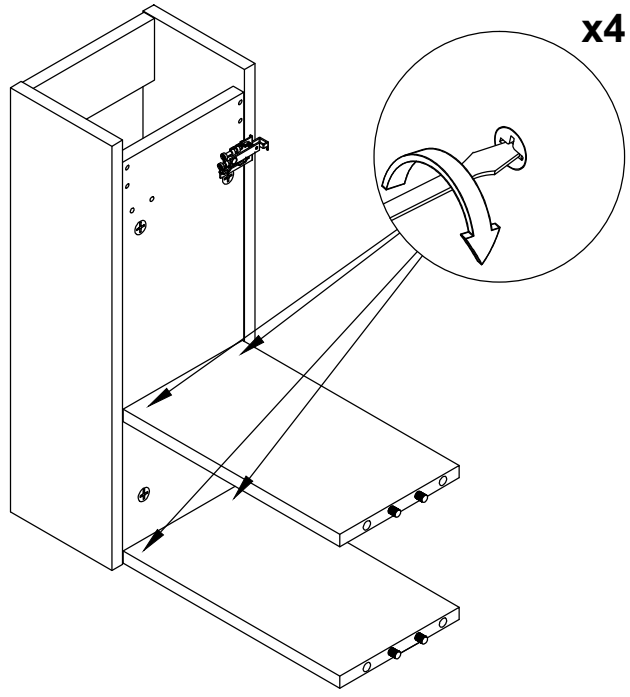
15



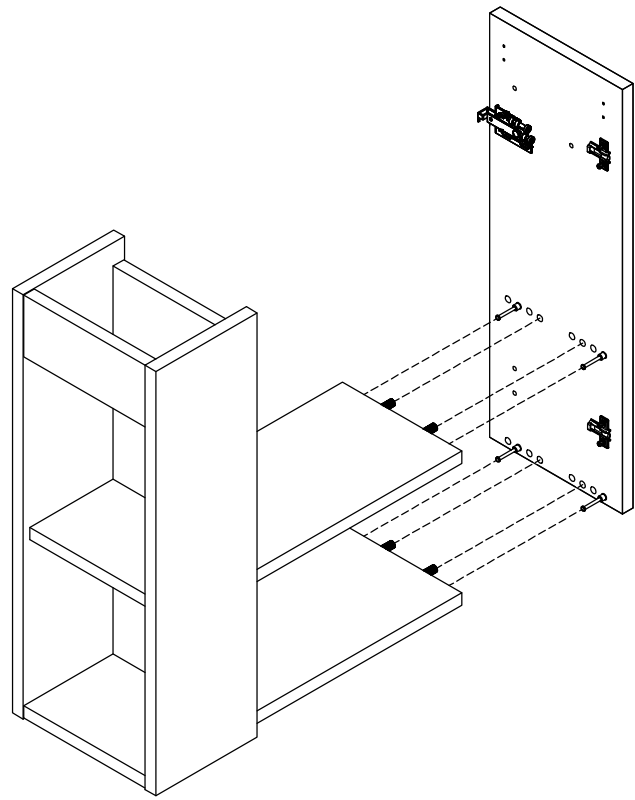
16



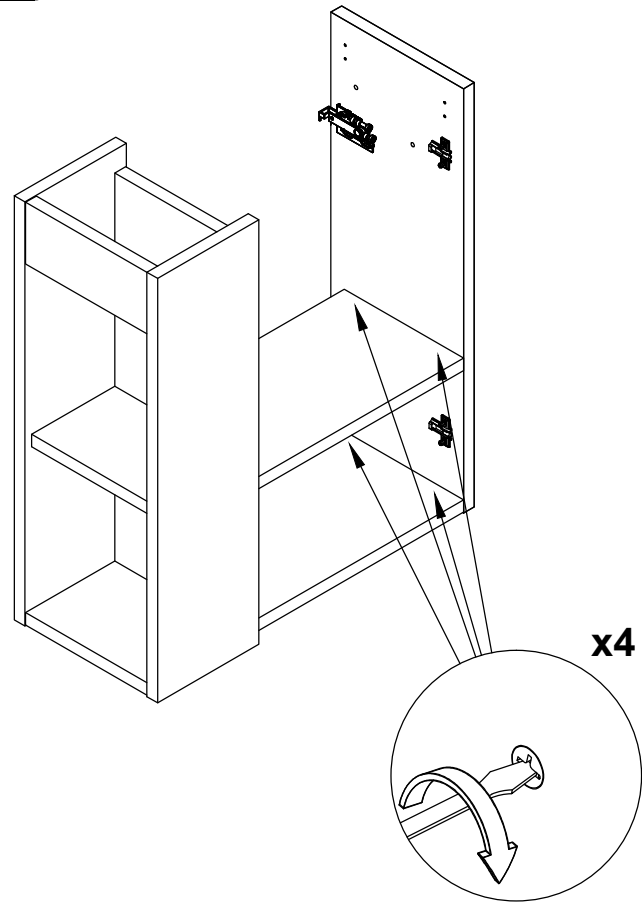
17



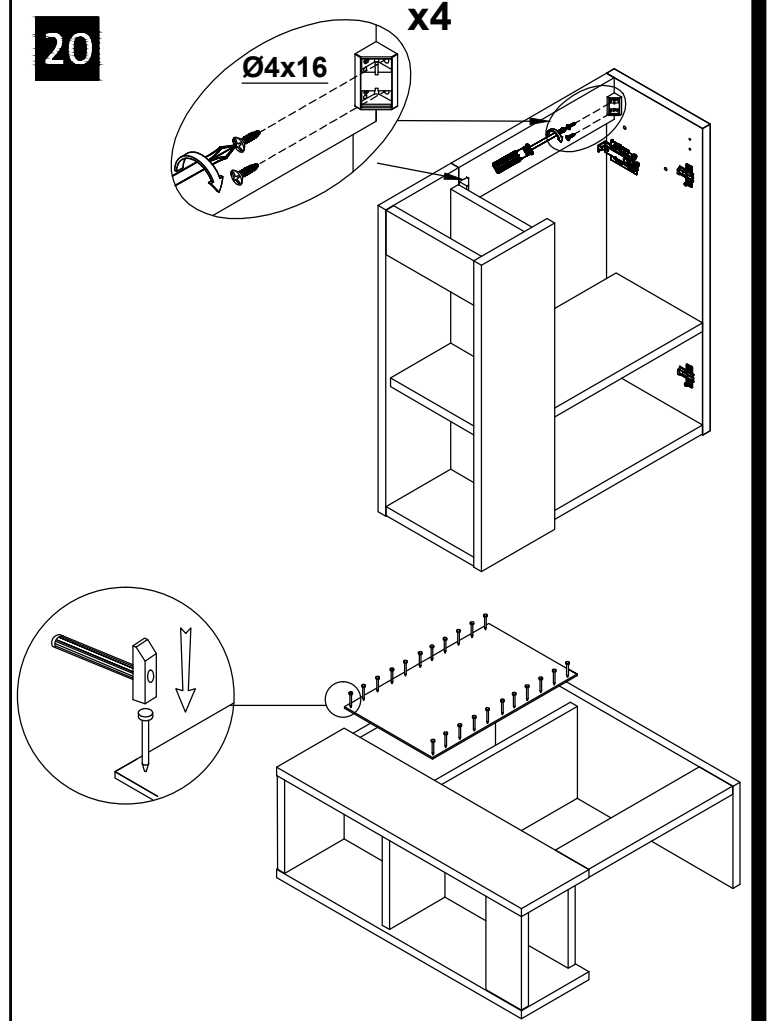
18



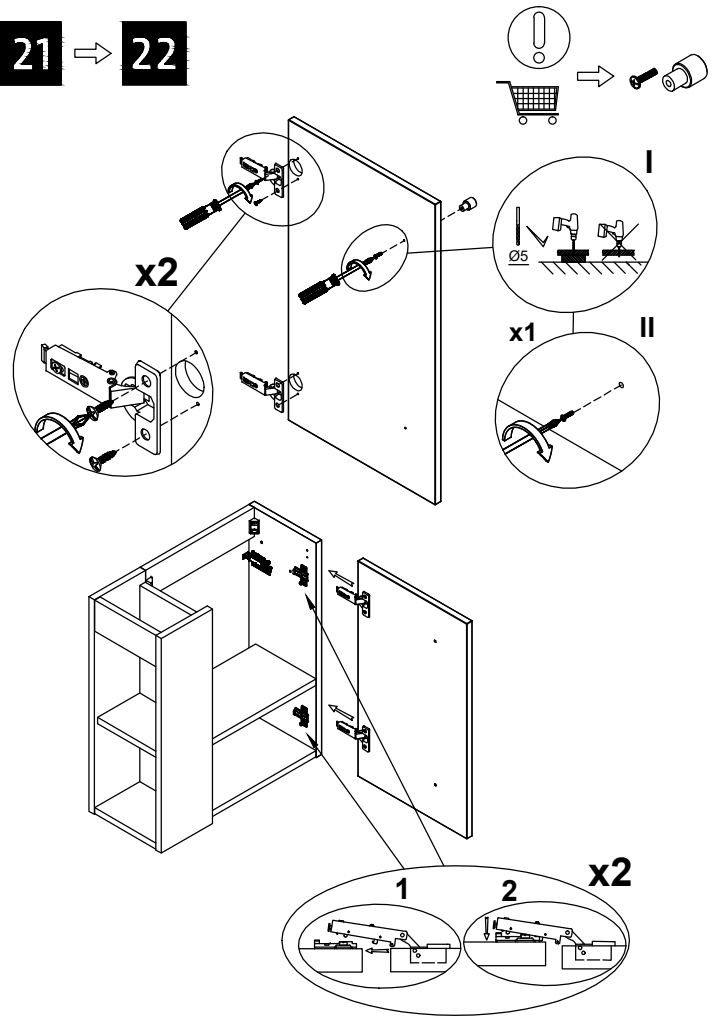
19



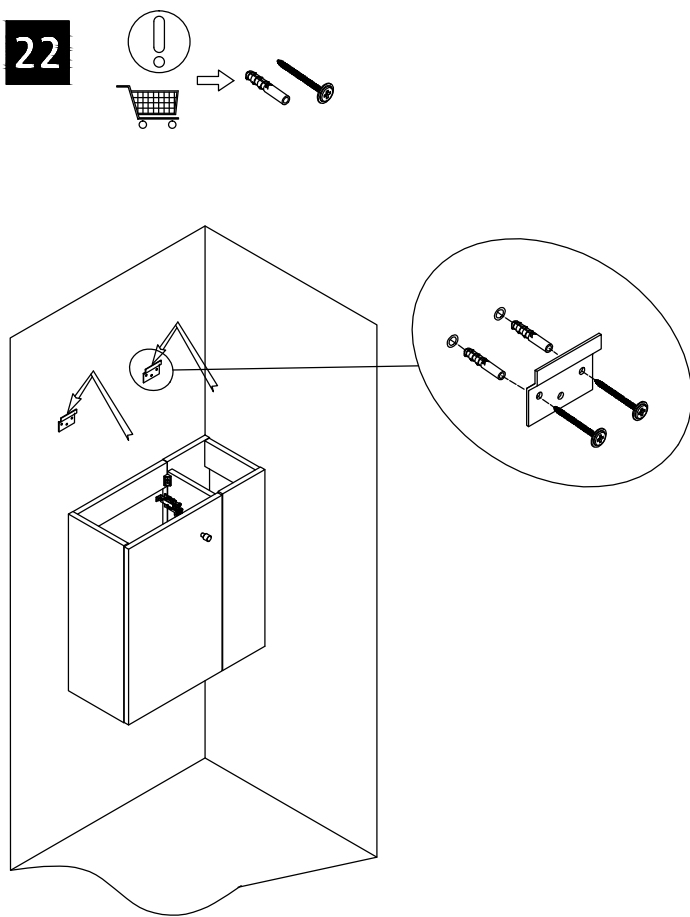
20



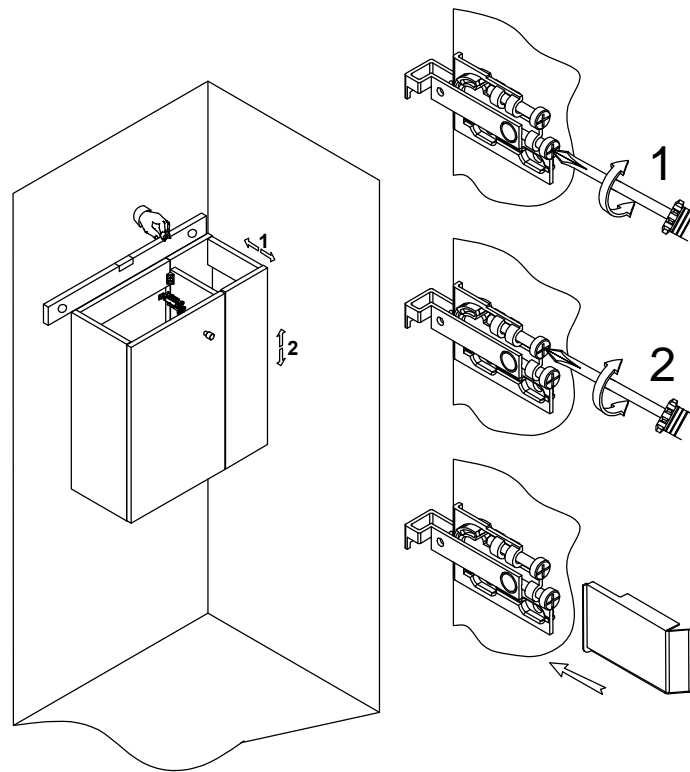
21 → 22



22



23



24

