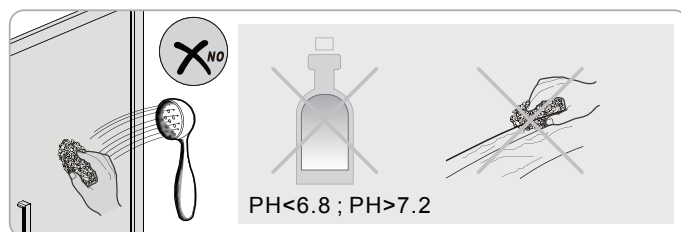
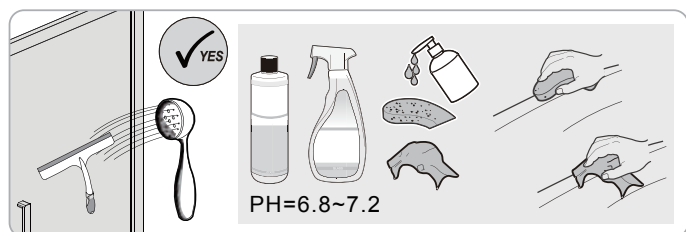
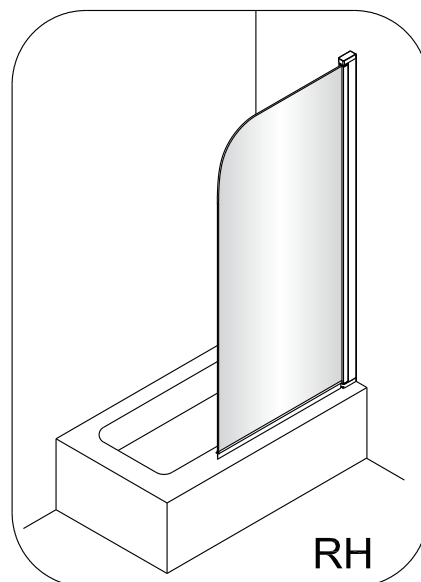
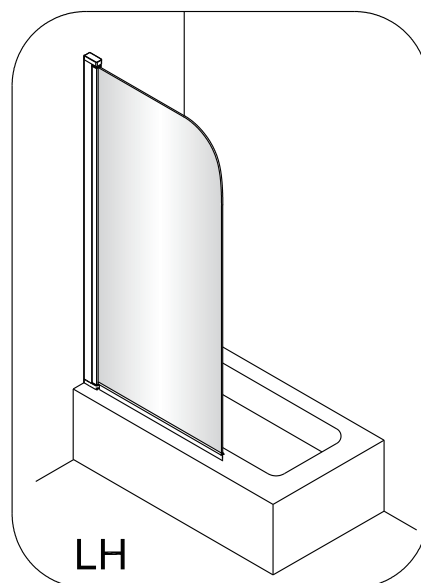
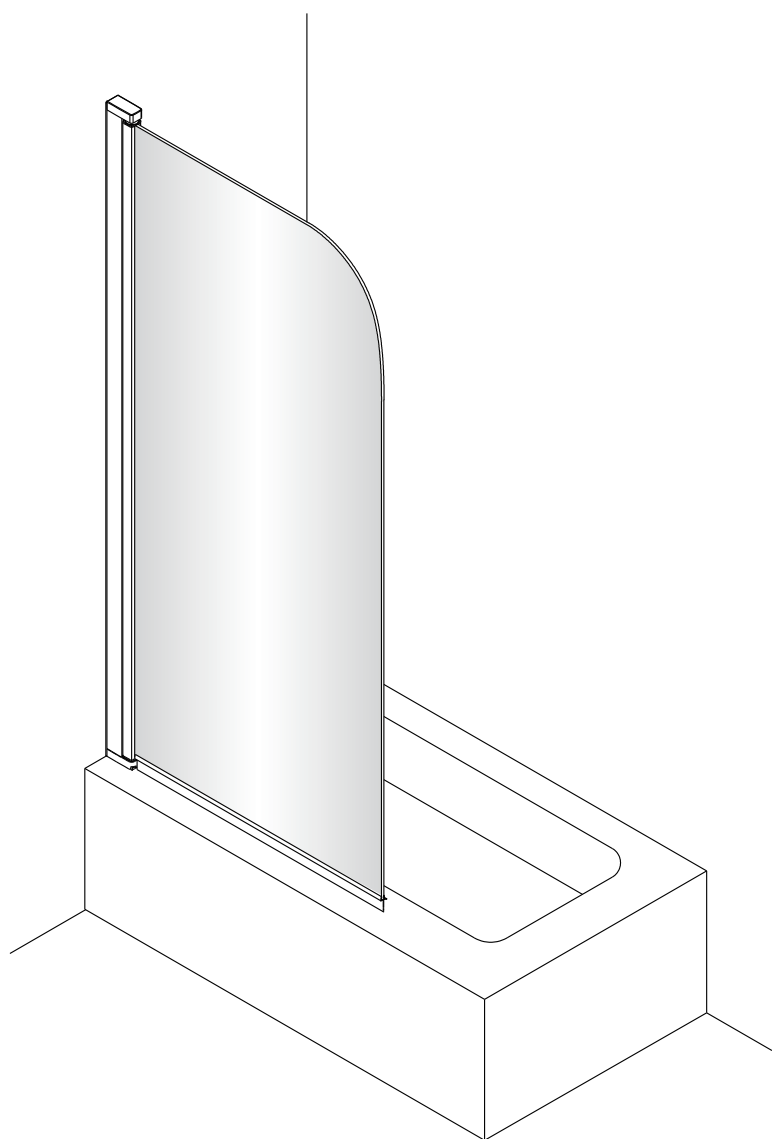
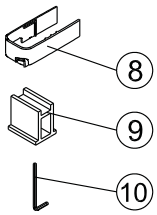
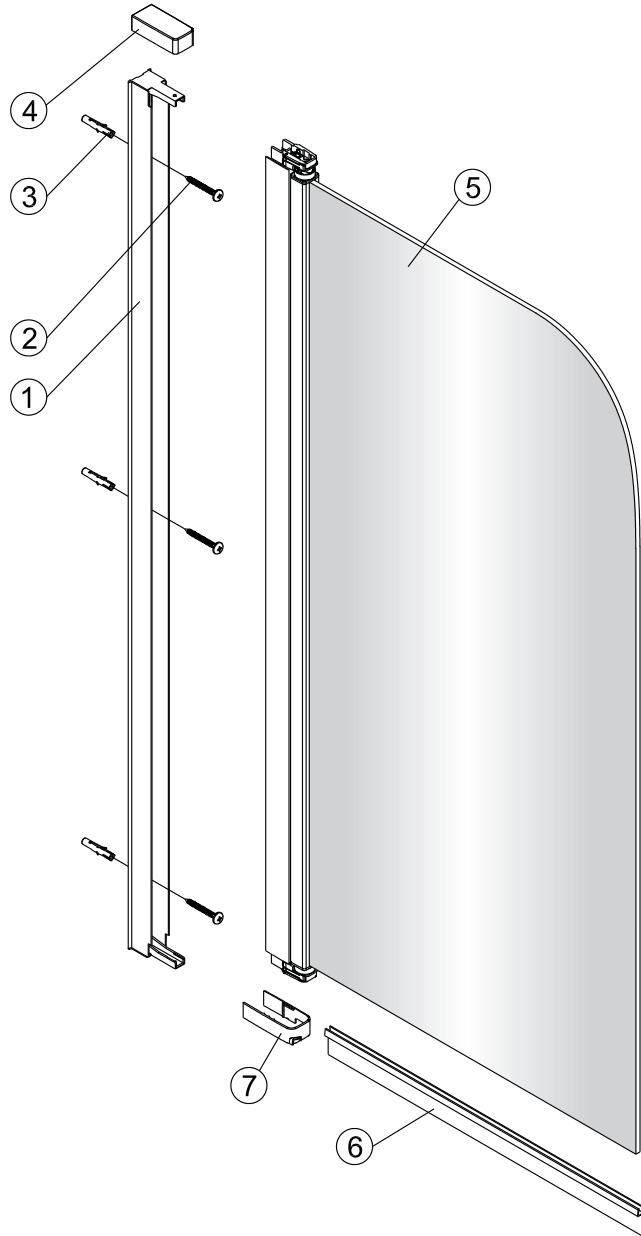
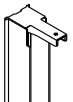


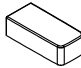
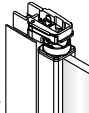
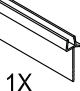

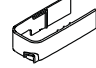
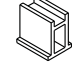

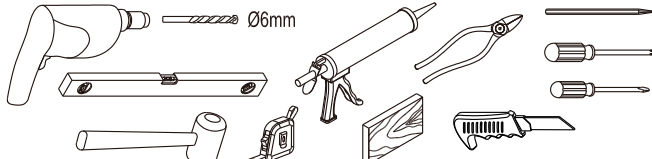





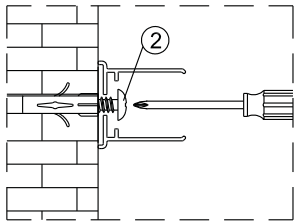
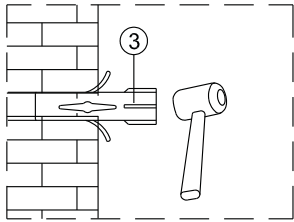
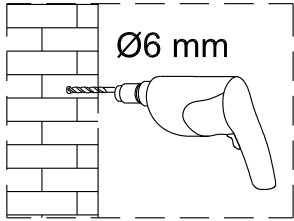
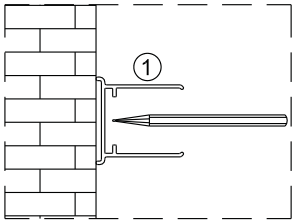


SATVZUNIKCT80

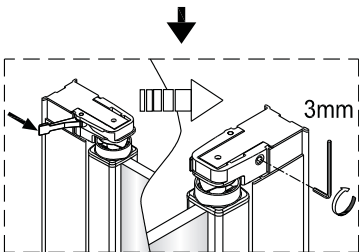
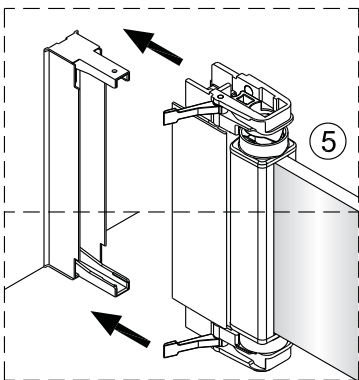
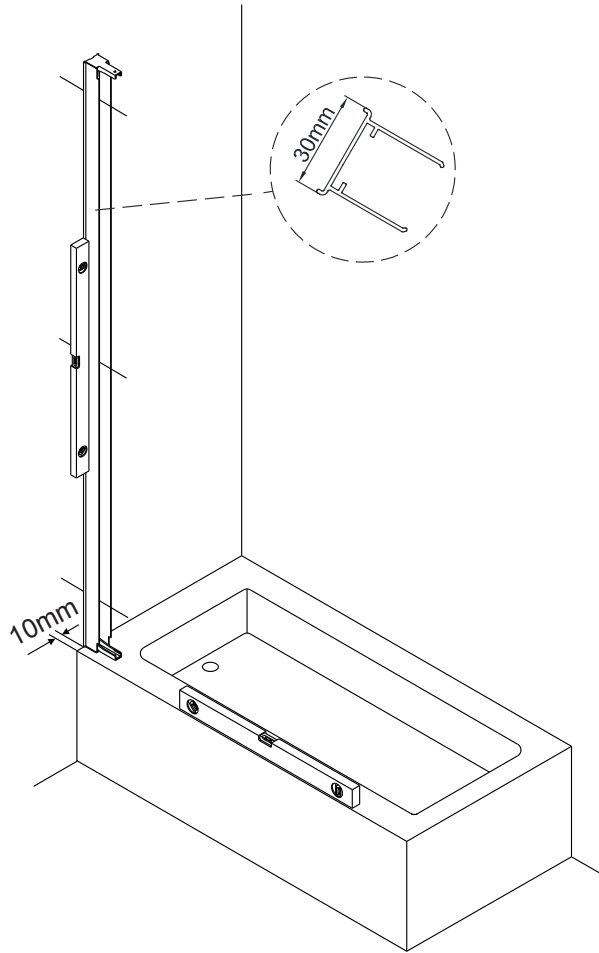




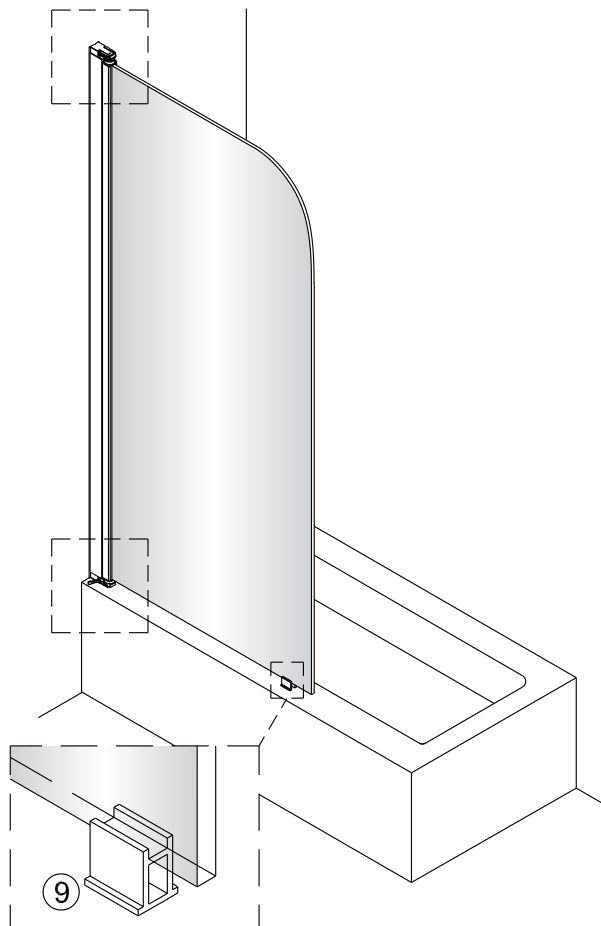
<p>1</p>  <p>1X</p>	<p>2</p>  <p>3X ST4X40</p>	<p>3</p>  <p>3X</p>	<p>4</p>  <p>1X</p>	<p>5</p>  <p>1X</p>	<p>6</p>  <p>1X</p>	<p>7</p>  <p>1X</p>	<p>8</p>  <p>1X</p>	<p>9</p>  <p>1X</p>	<p>10</p>  <p>1X 3mm</p>
						<p>2x</p> 			

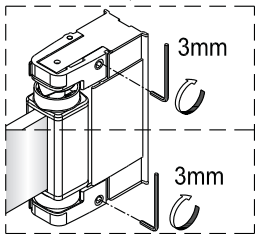
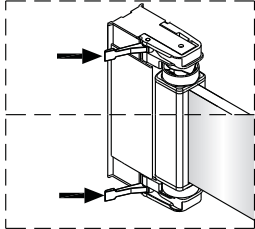
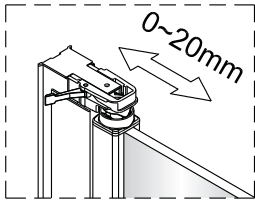
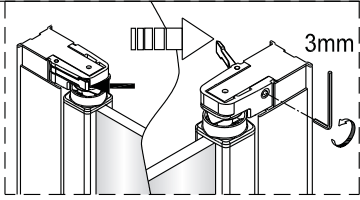


1

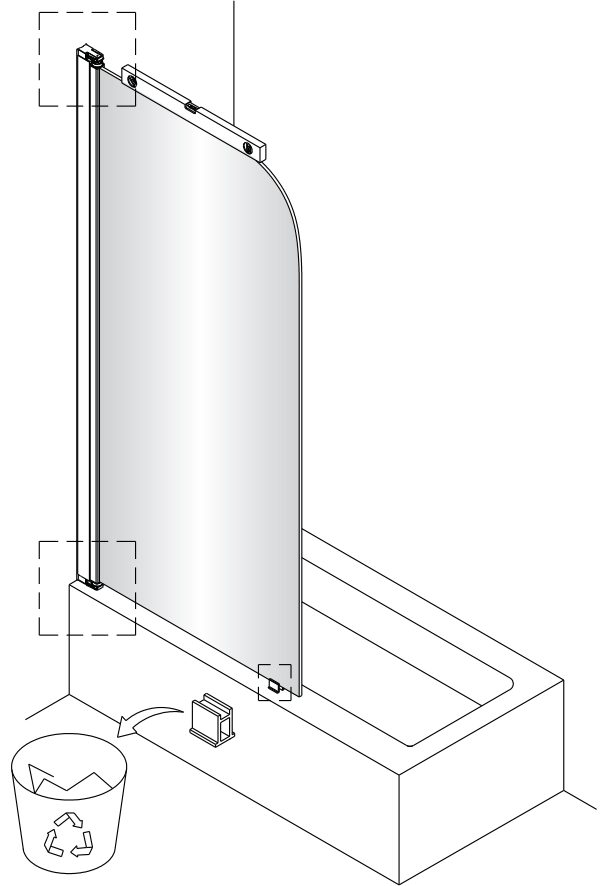


2

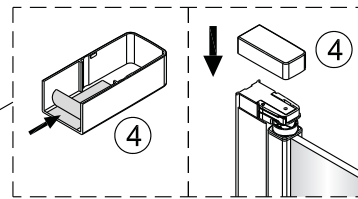




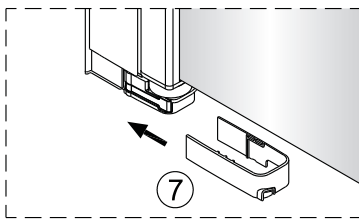
③



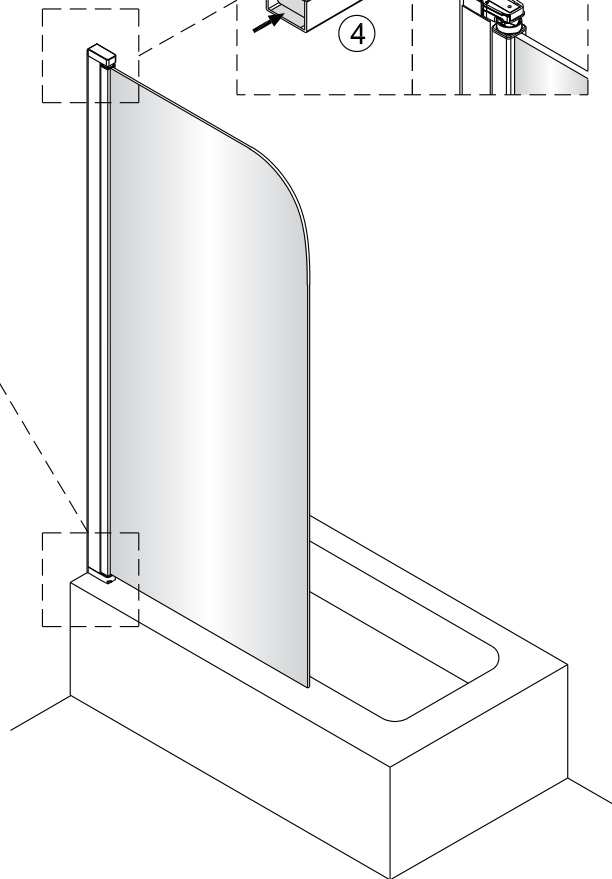
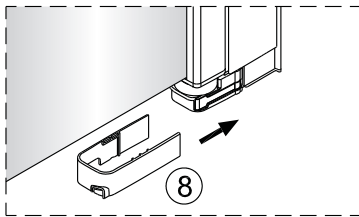
④



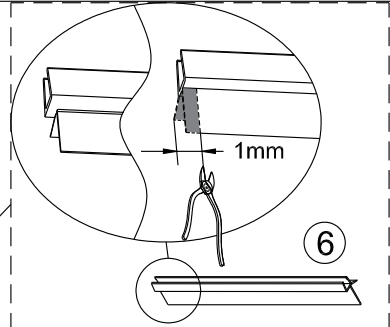
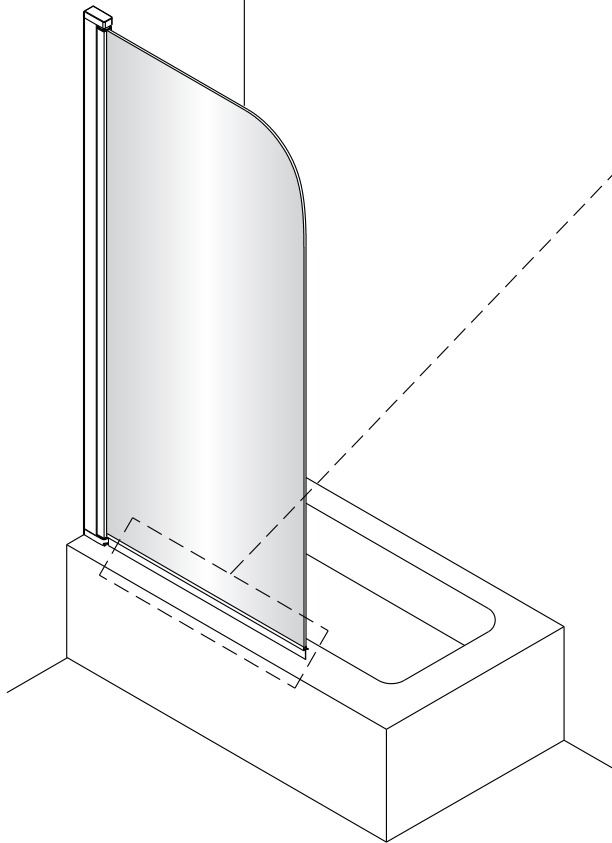
LH



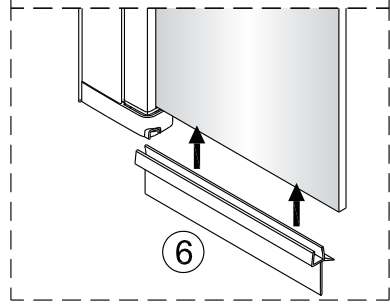
RH



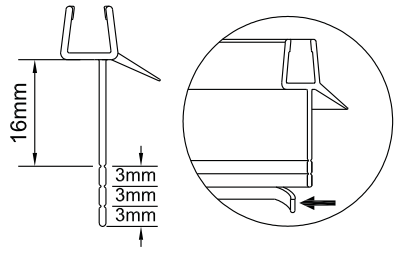
5



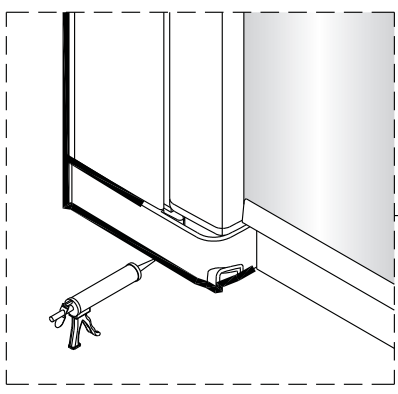
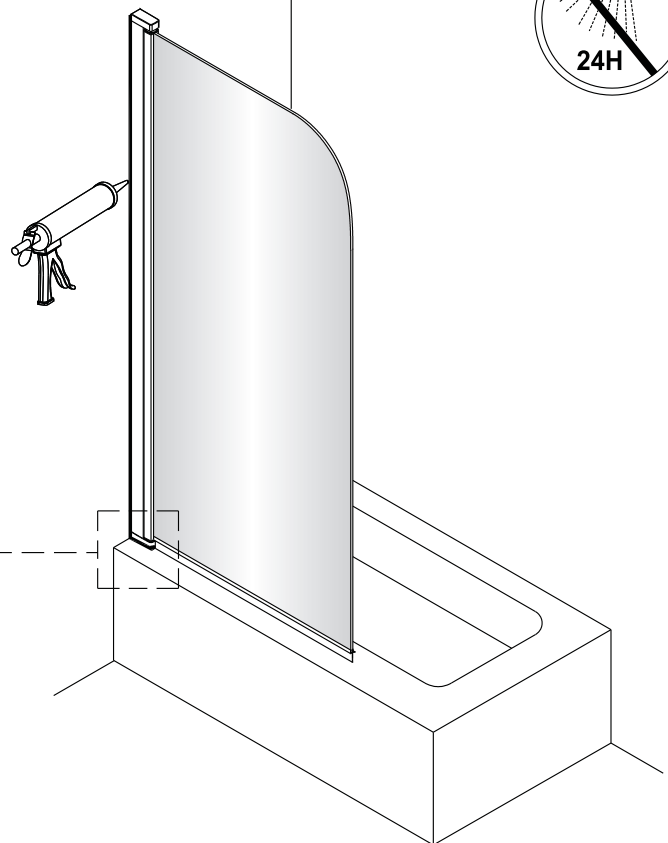
6



6



6



SAT® is registered trademark of



**Swiss
Aqua
Technologies**

Swiss Aqua Technologies AG
Gewerbstrasse 9, 6330 Cham, Switzerland
www.swatec.ch
Imported by SIKO KOUPELNY a.s.
Made in P.R.C.