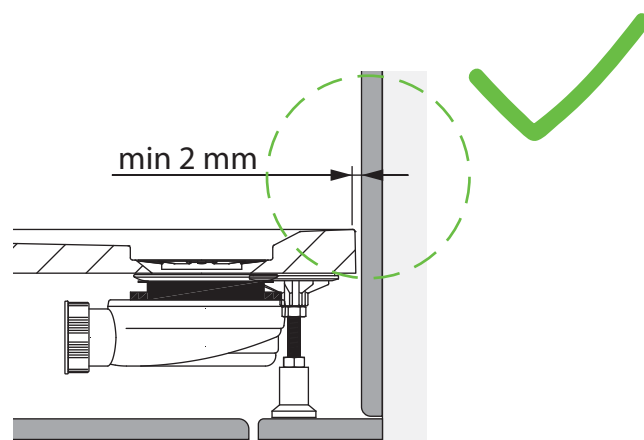
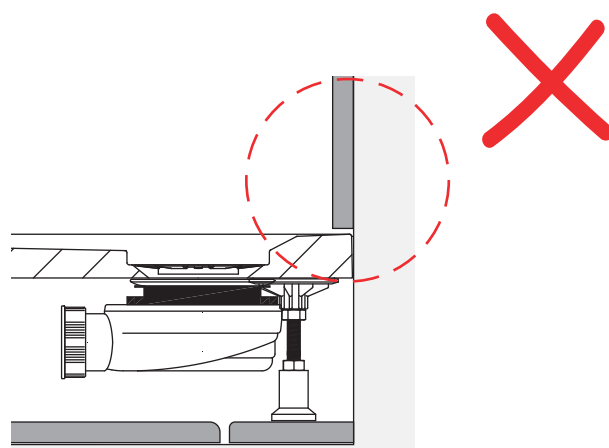
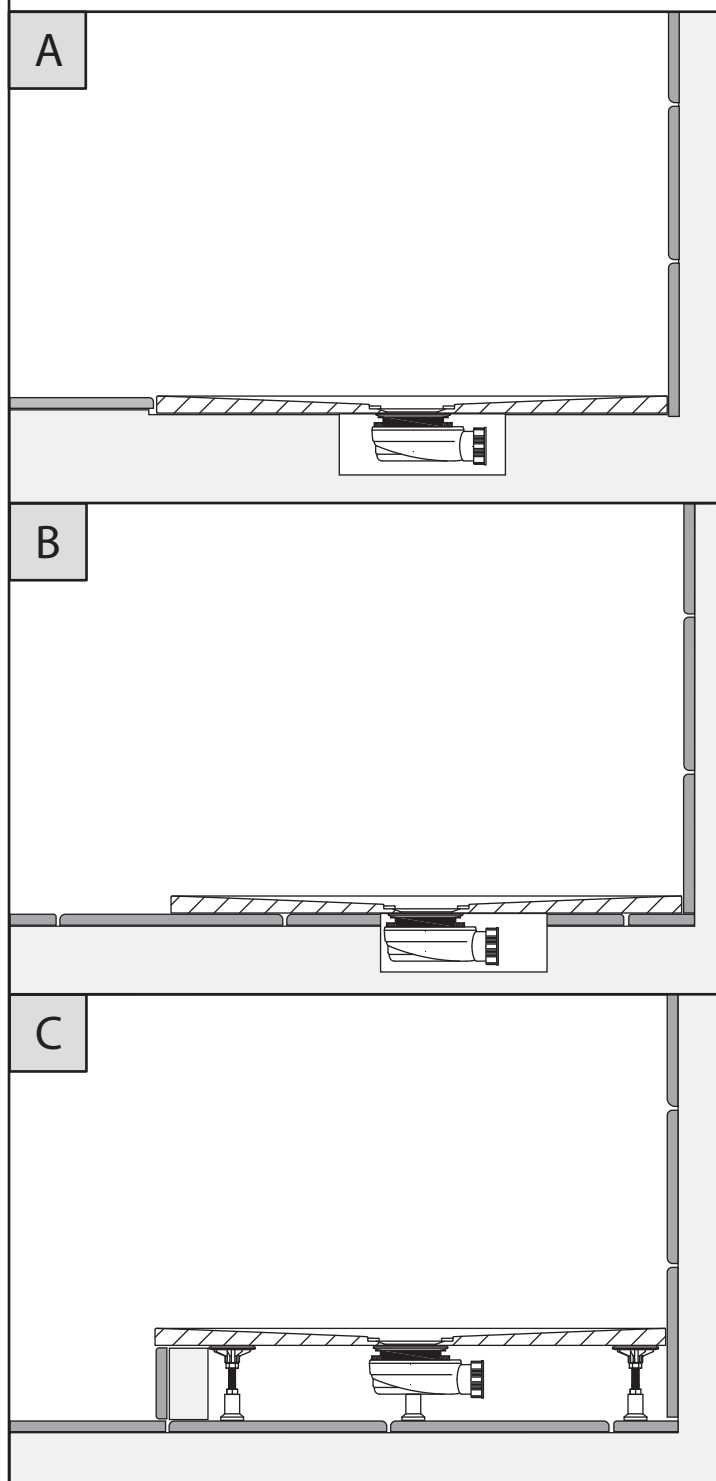
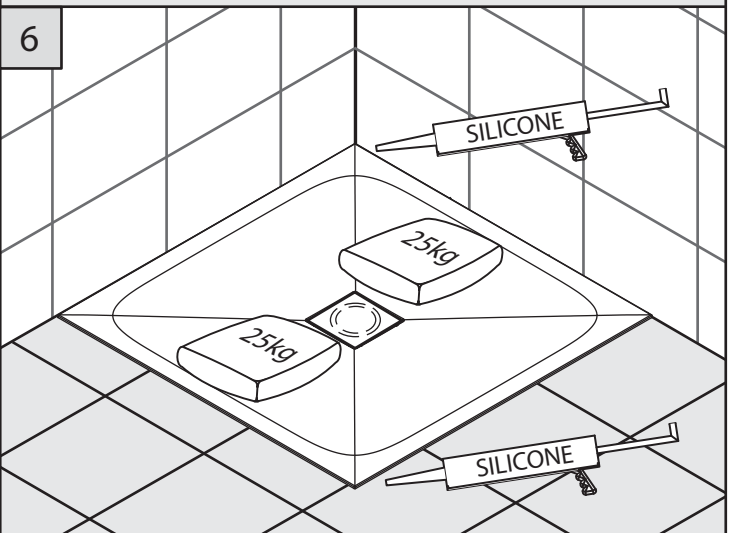
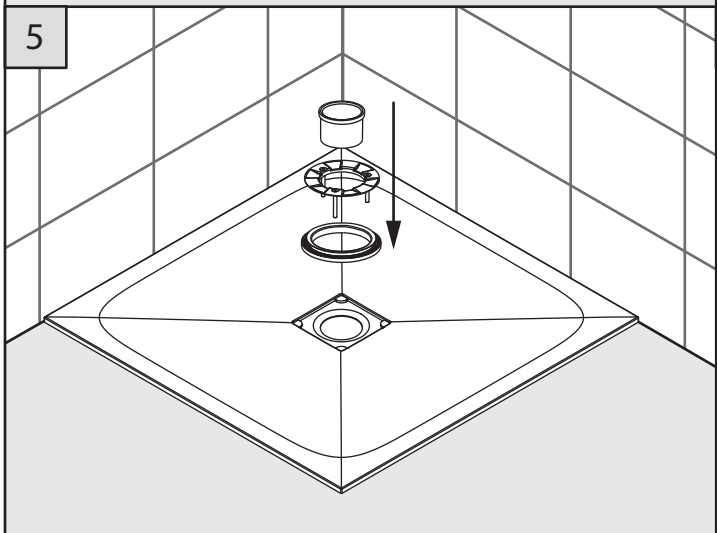
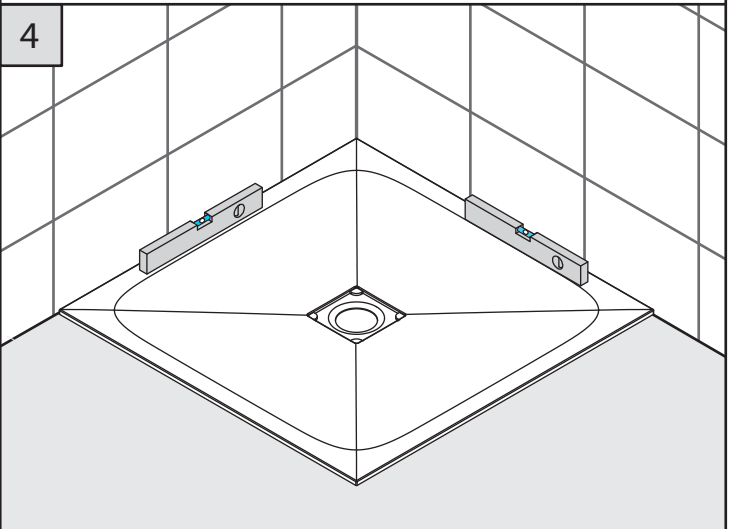
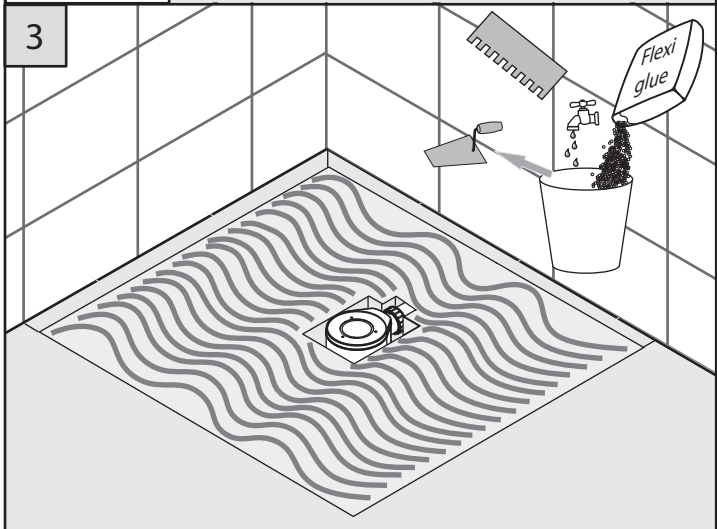
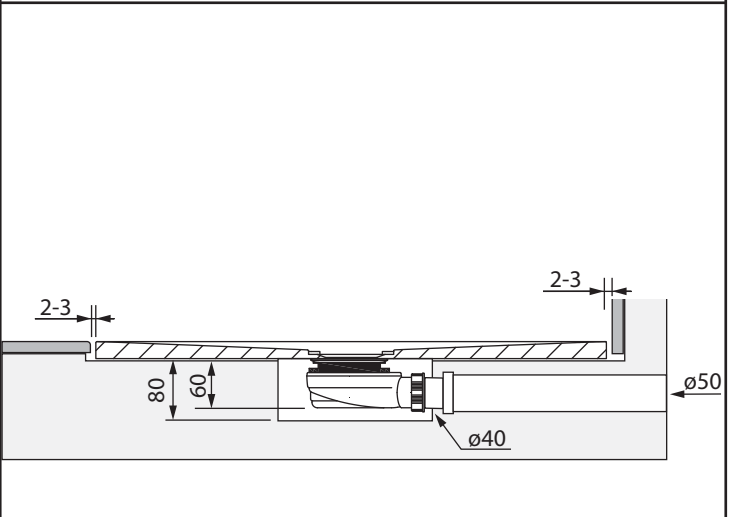
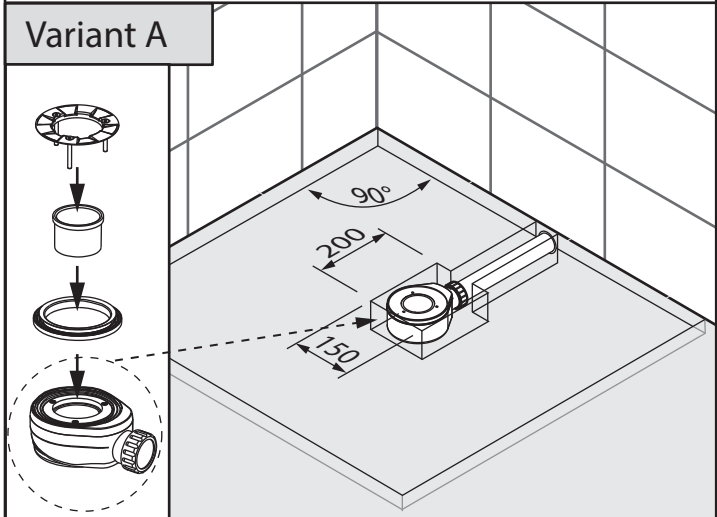
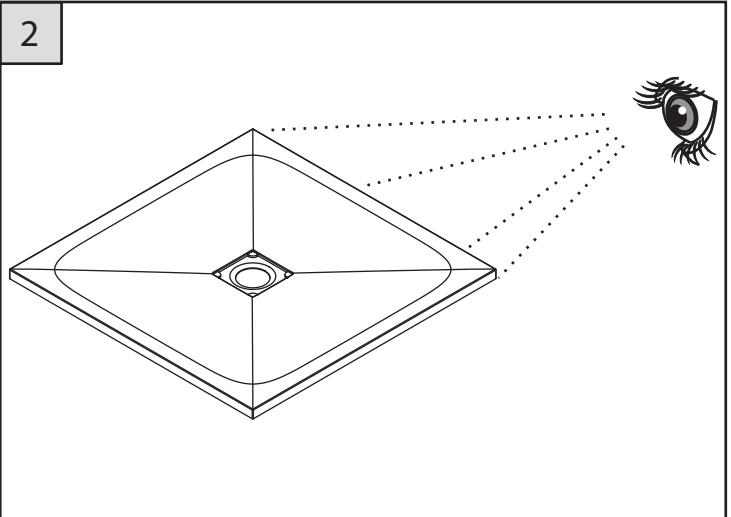
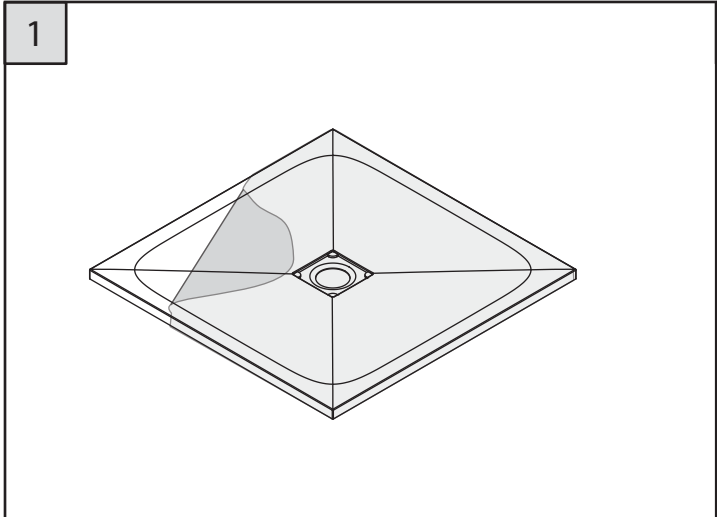
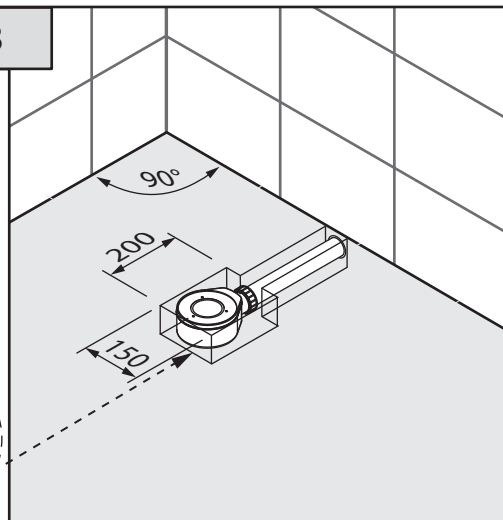
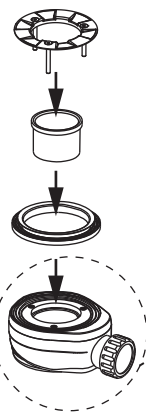


## FLEXIA

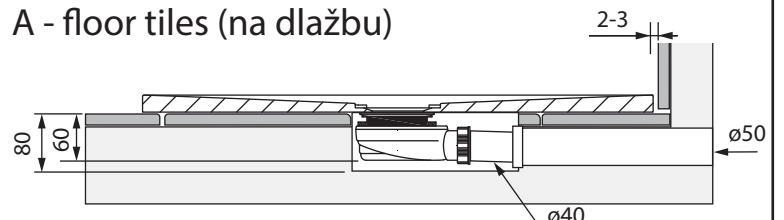




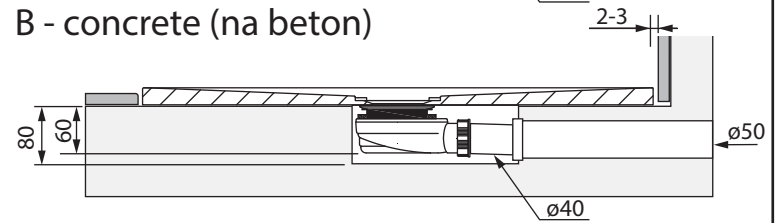
Variant B



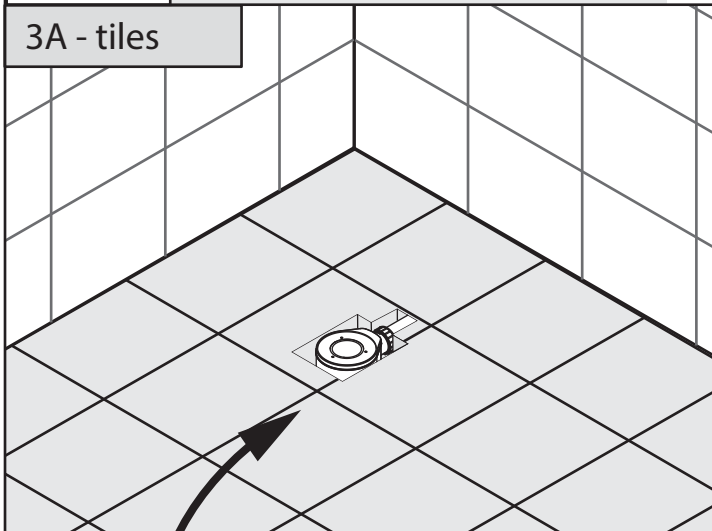
A - floor tiles (na dlažbu)



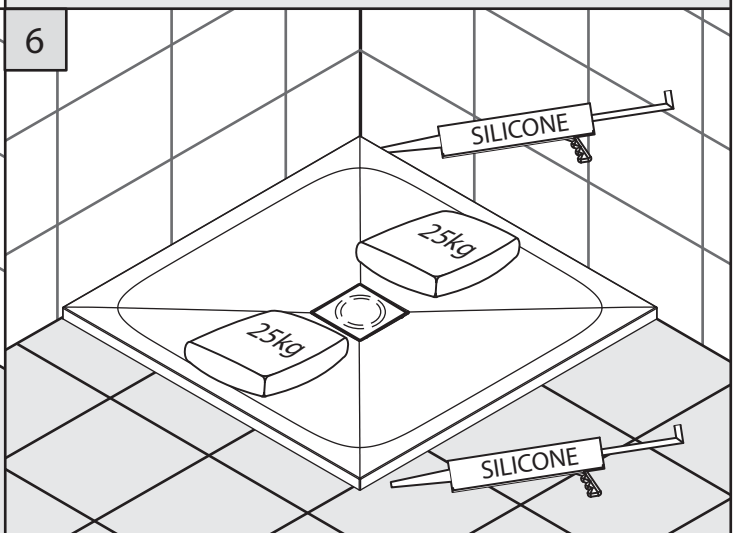
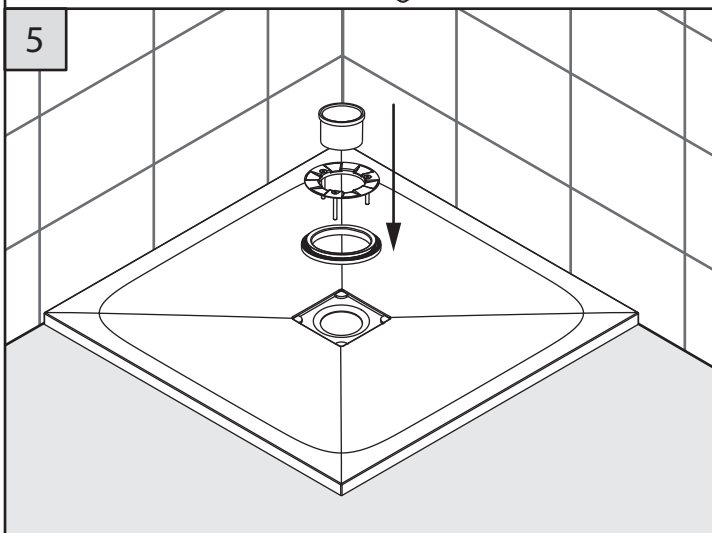
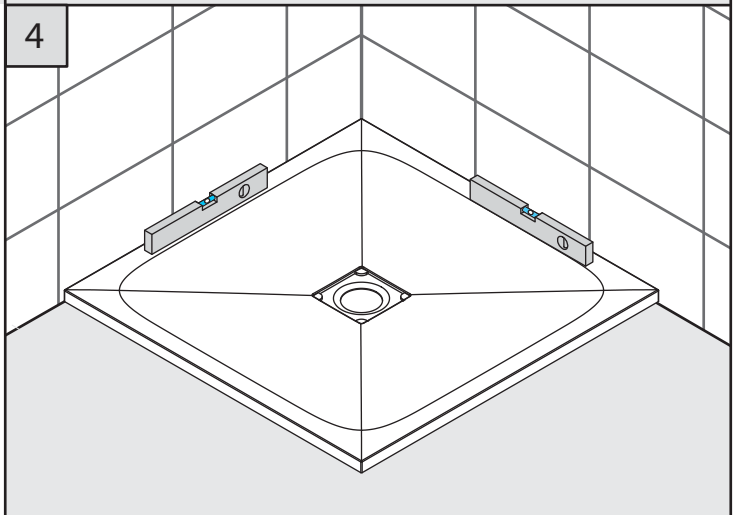
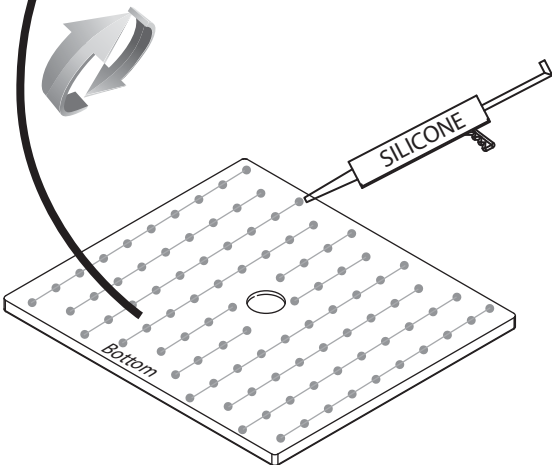
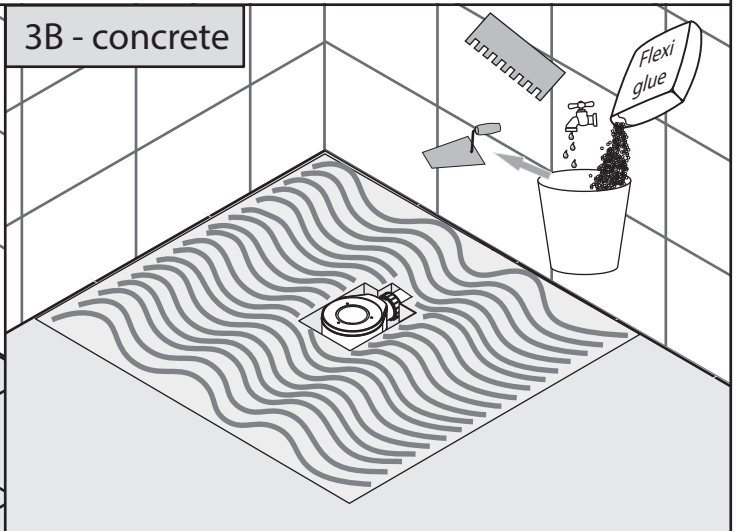
B - concrete (na beton)



3A - tiles

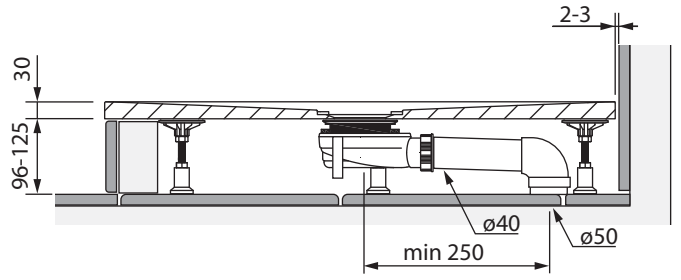
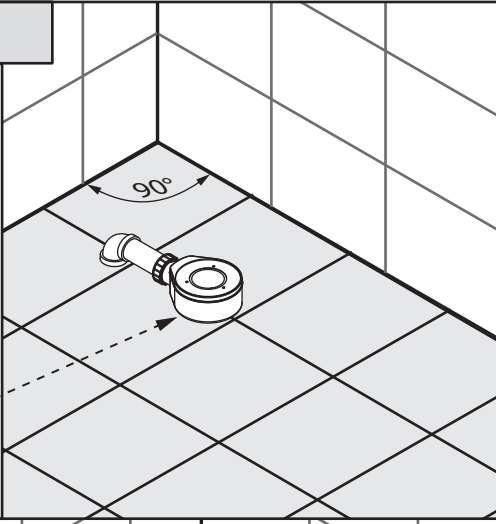
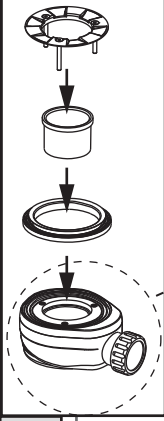


3B - concrete

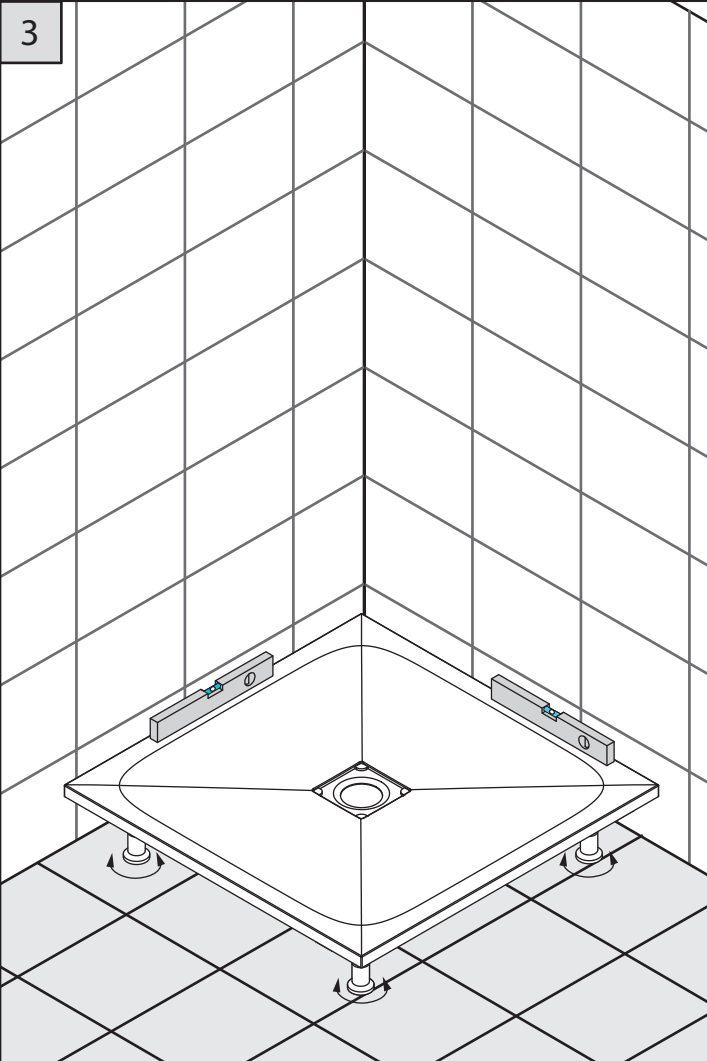


Variant C

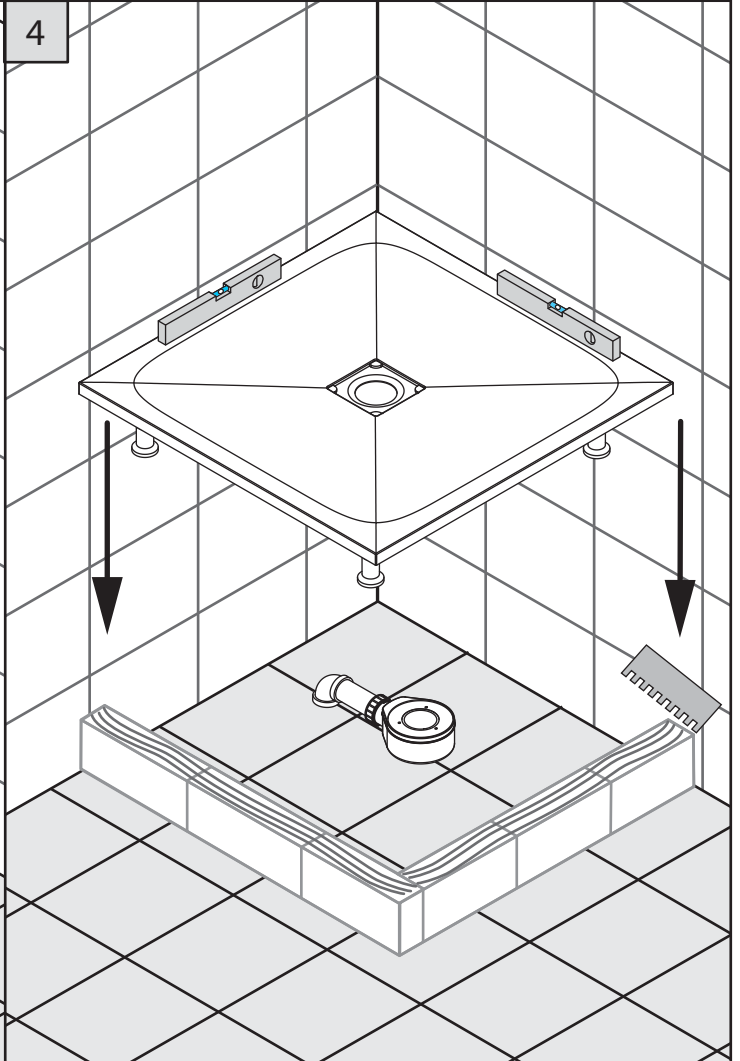
Ytong + tiles



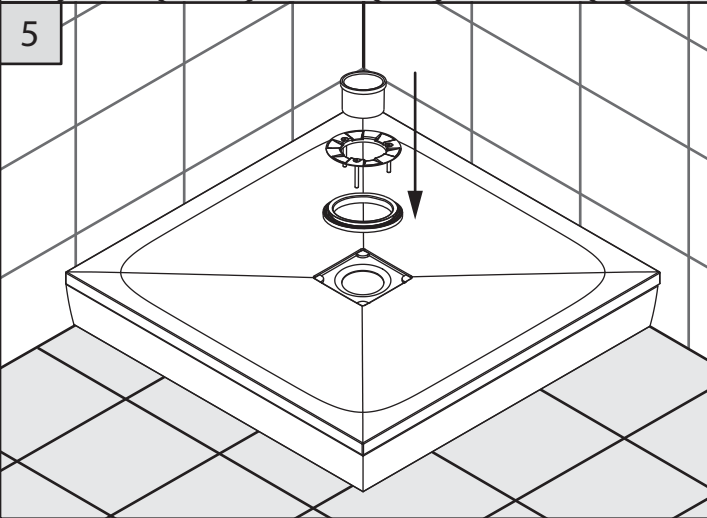
3



4



5



6

