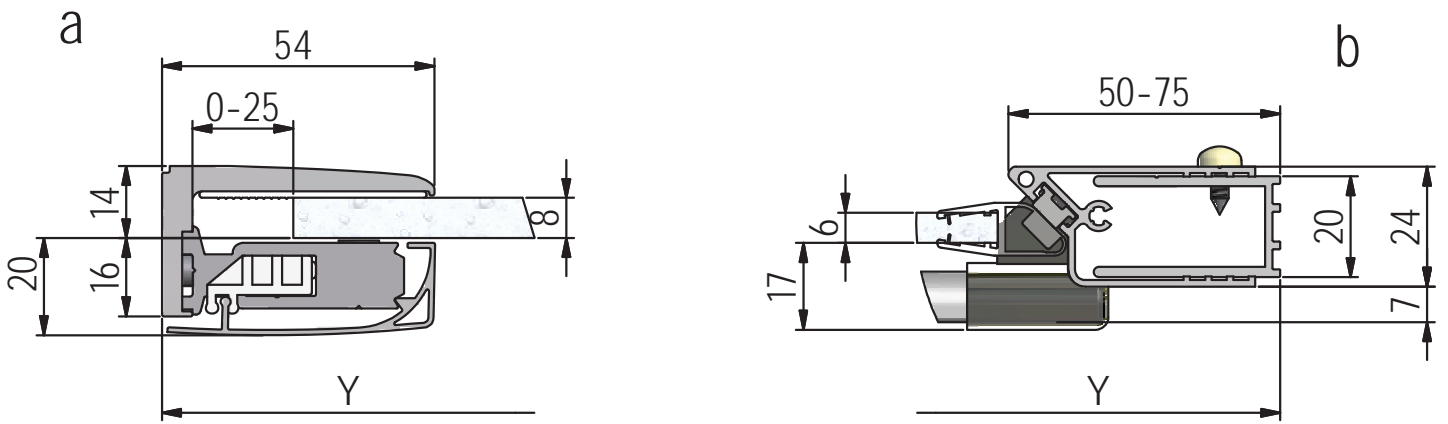
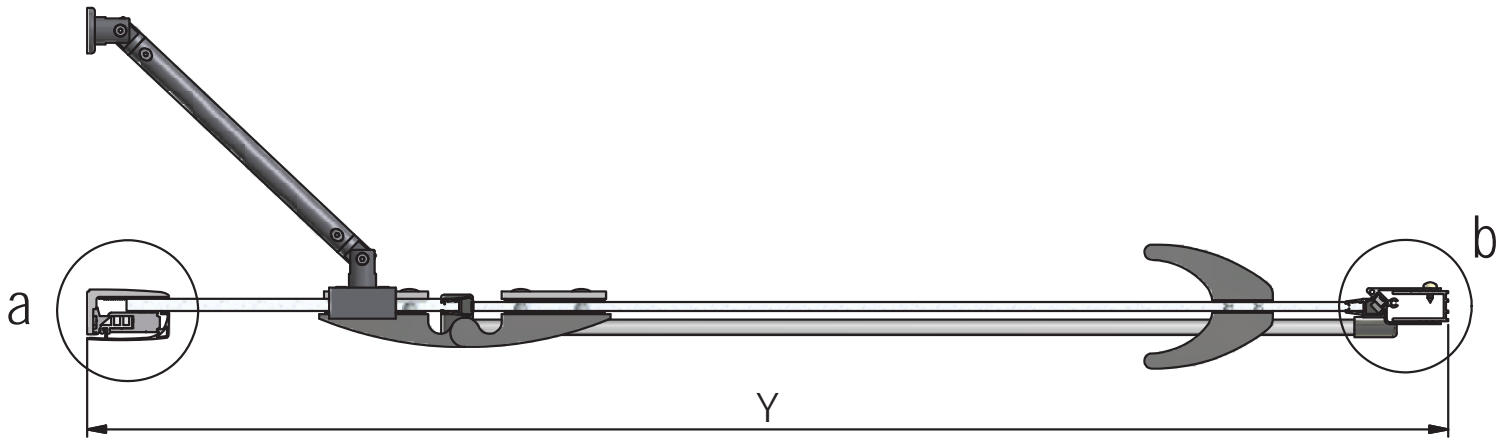


GDNL1

GDNP1

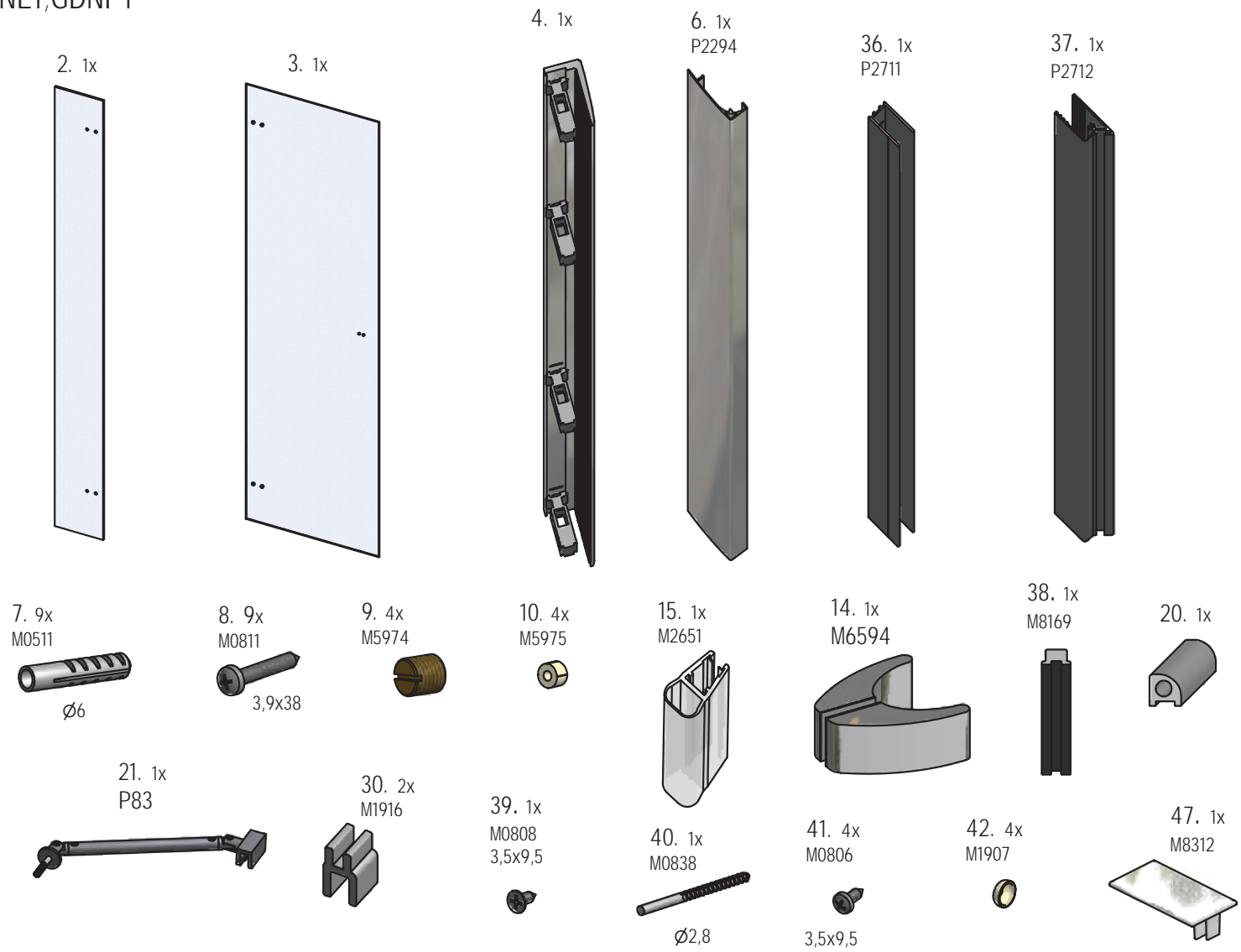


Roltechnik a.s.; Czech Republic, 56933 Třebařov 160,
tel.:+420 461 324 301, fax: +420 461 324 297,
<http://www.roltechnik.cz>; e-mail: objednavky@roltechnik.cz

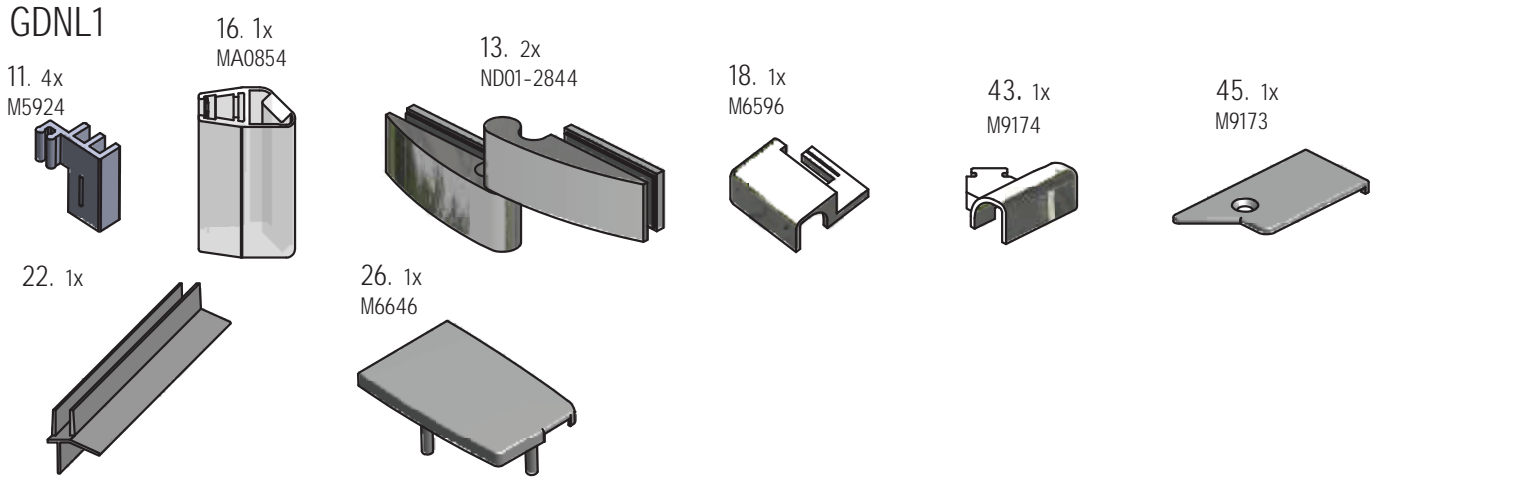


GDNL1/GDNP1		
	Y (min)	Y (max)
800	780	820
900	880	920
1000	980	1020
1100	1080	1120
1200	1180	1220
1300	1280	1320
1400	1380	1420
1500	1480	1520

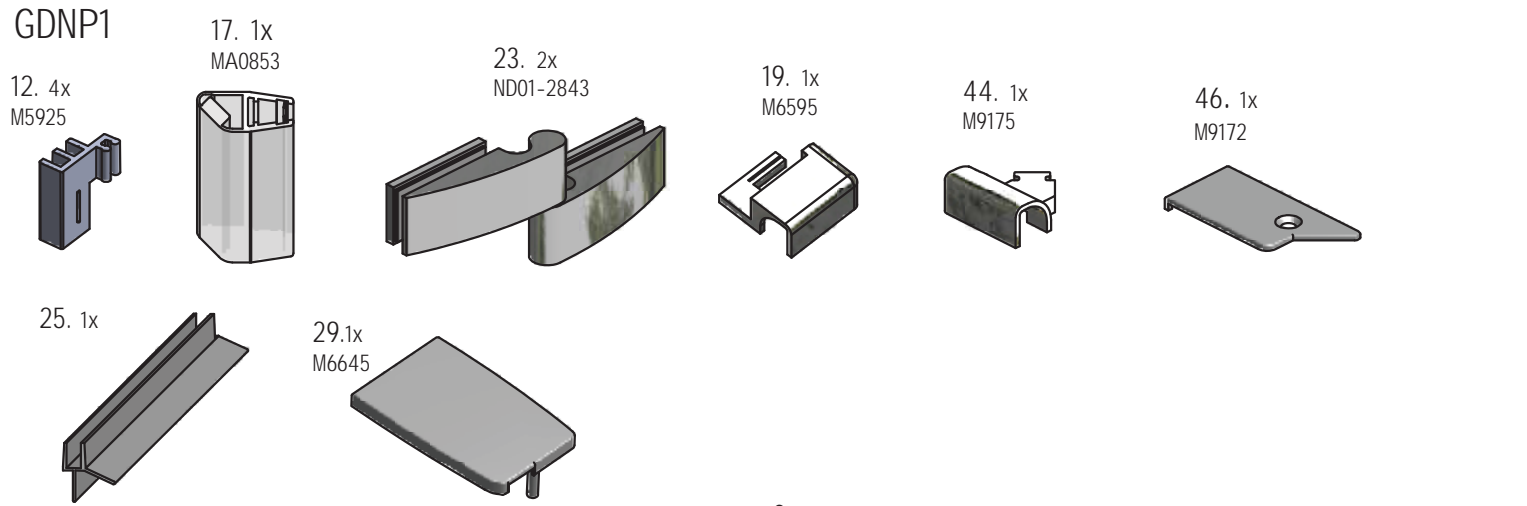
GDNL1;GDNP1

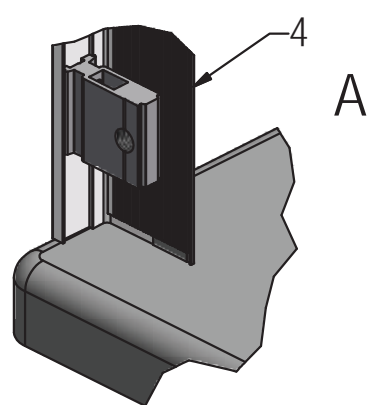
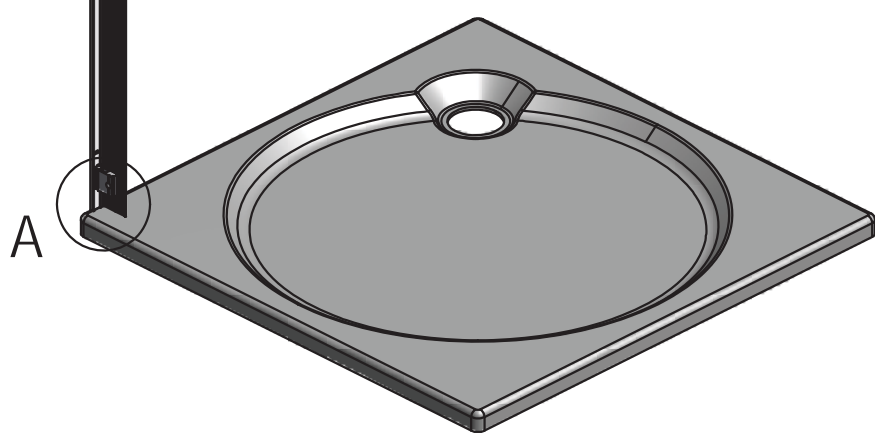
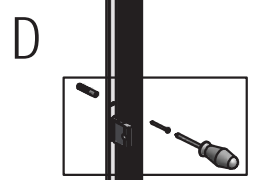
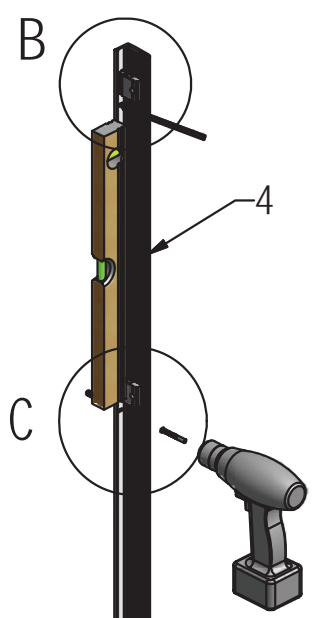
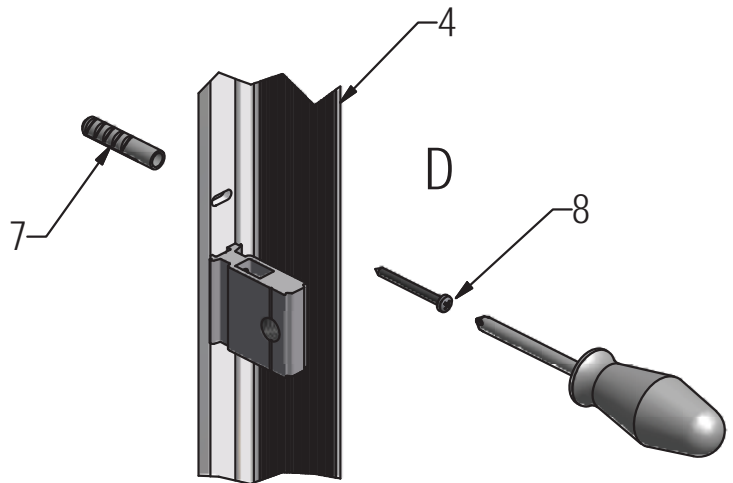
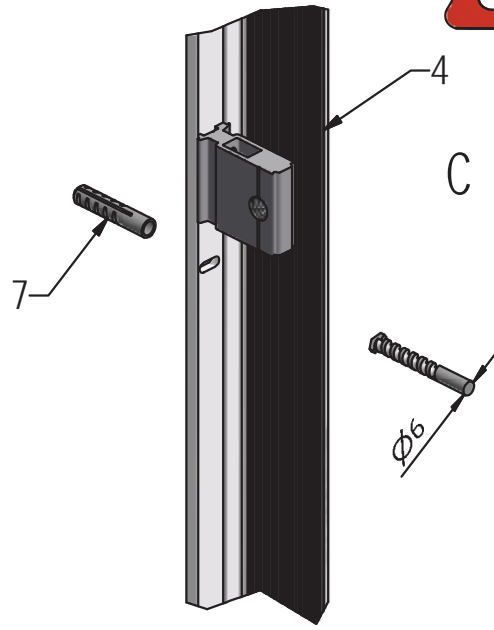
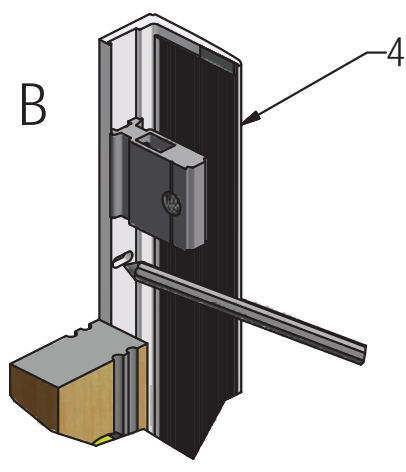
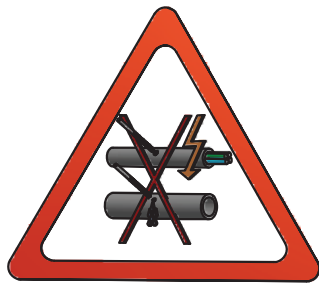


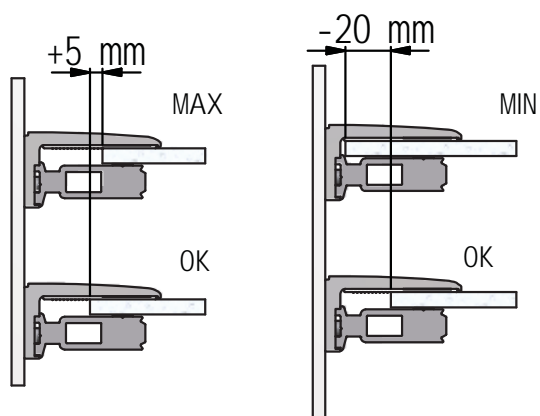
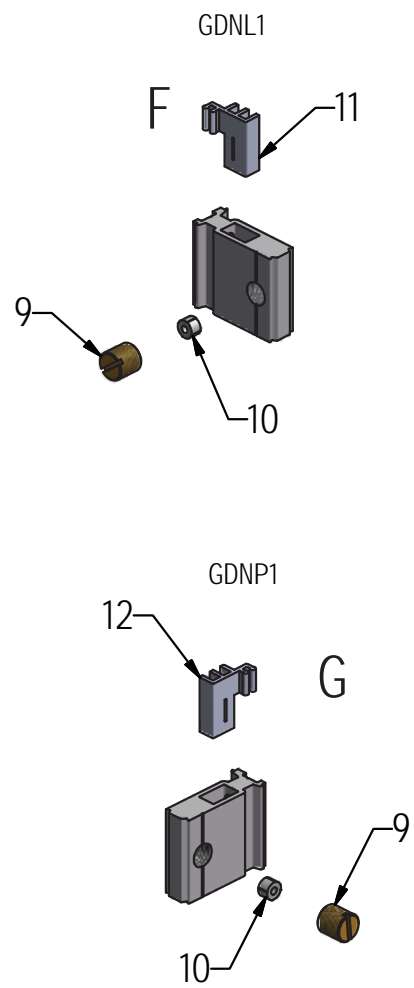
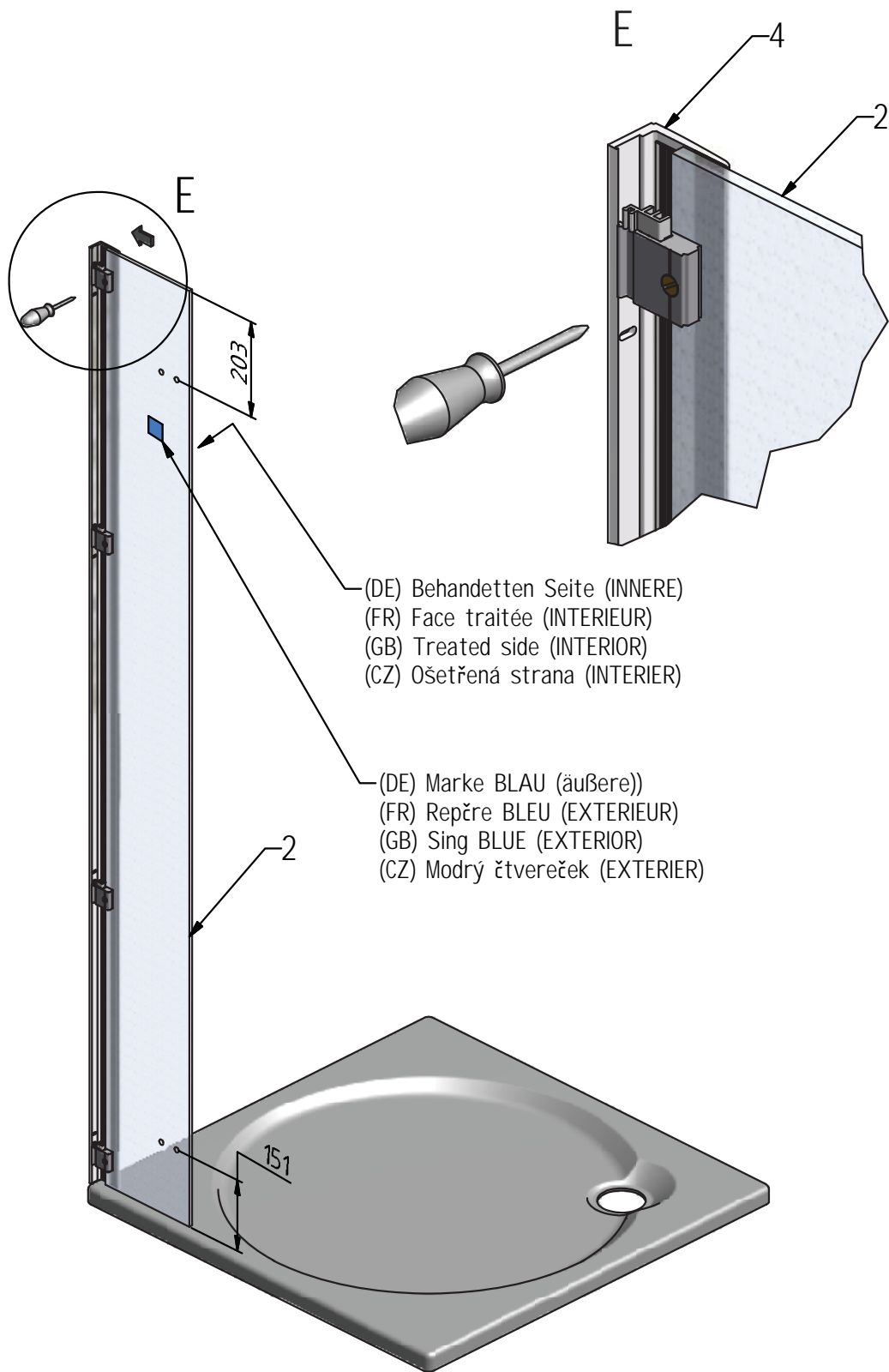
GDNL1



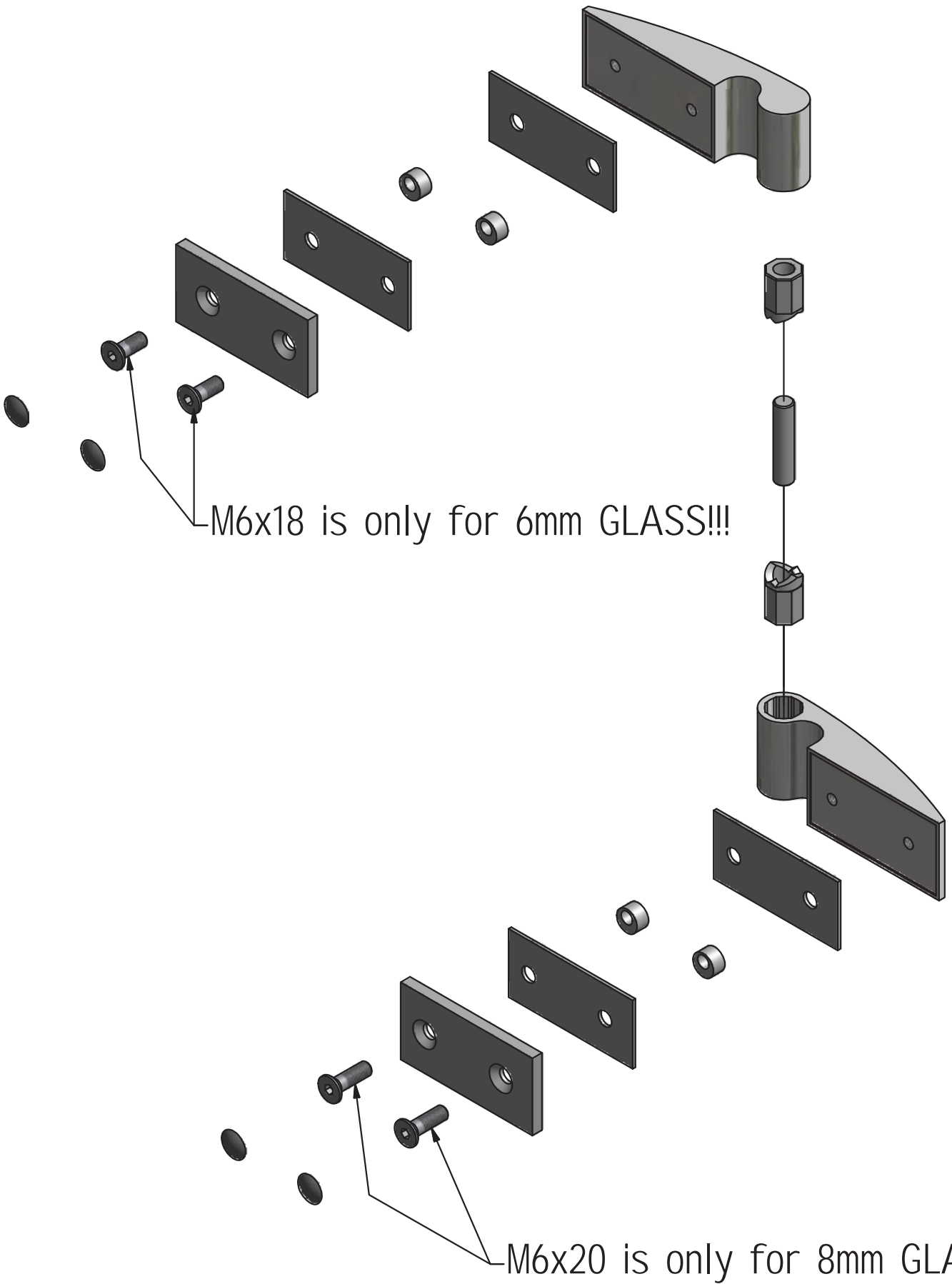
GDNP1

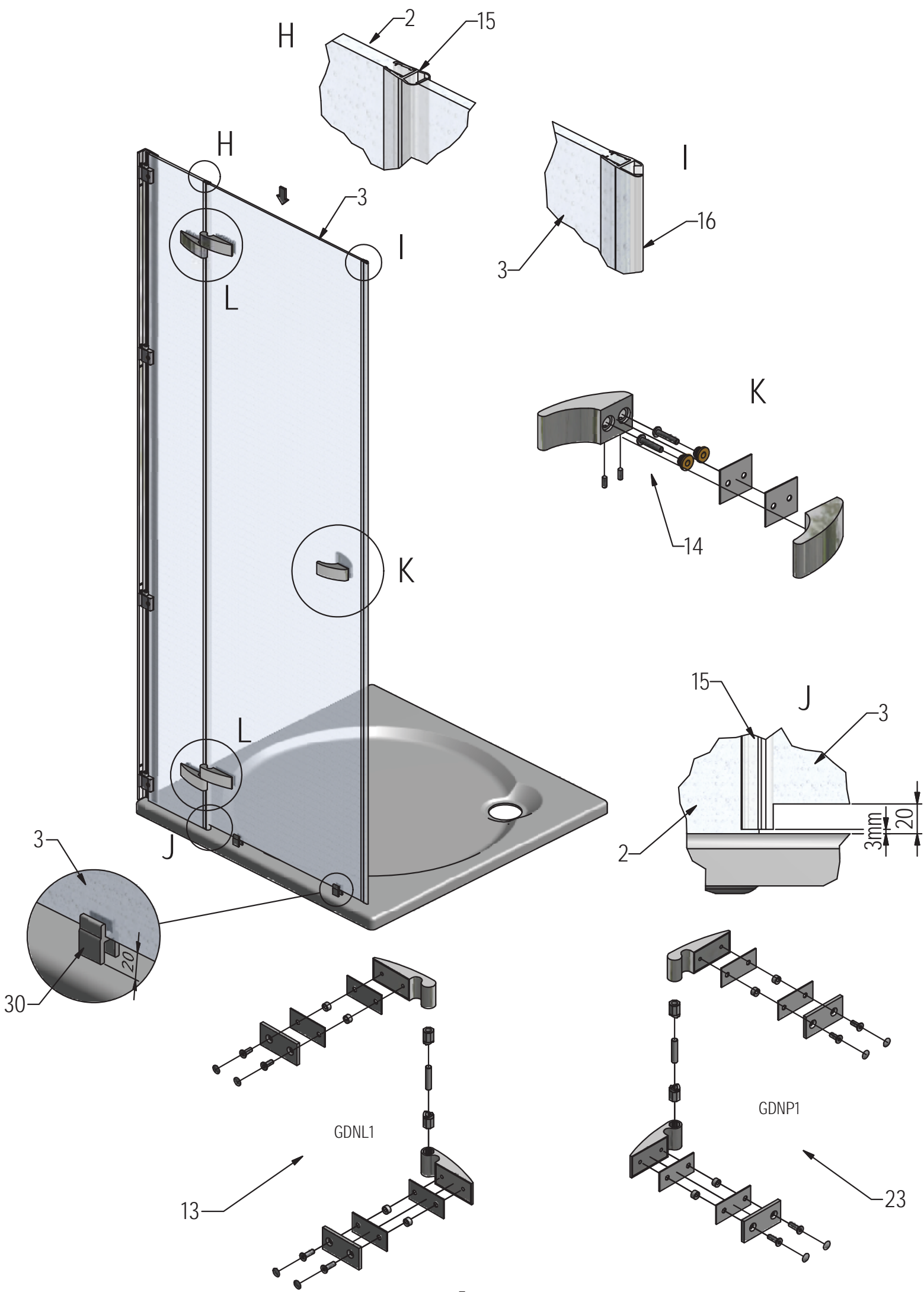


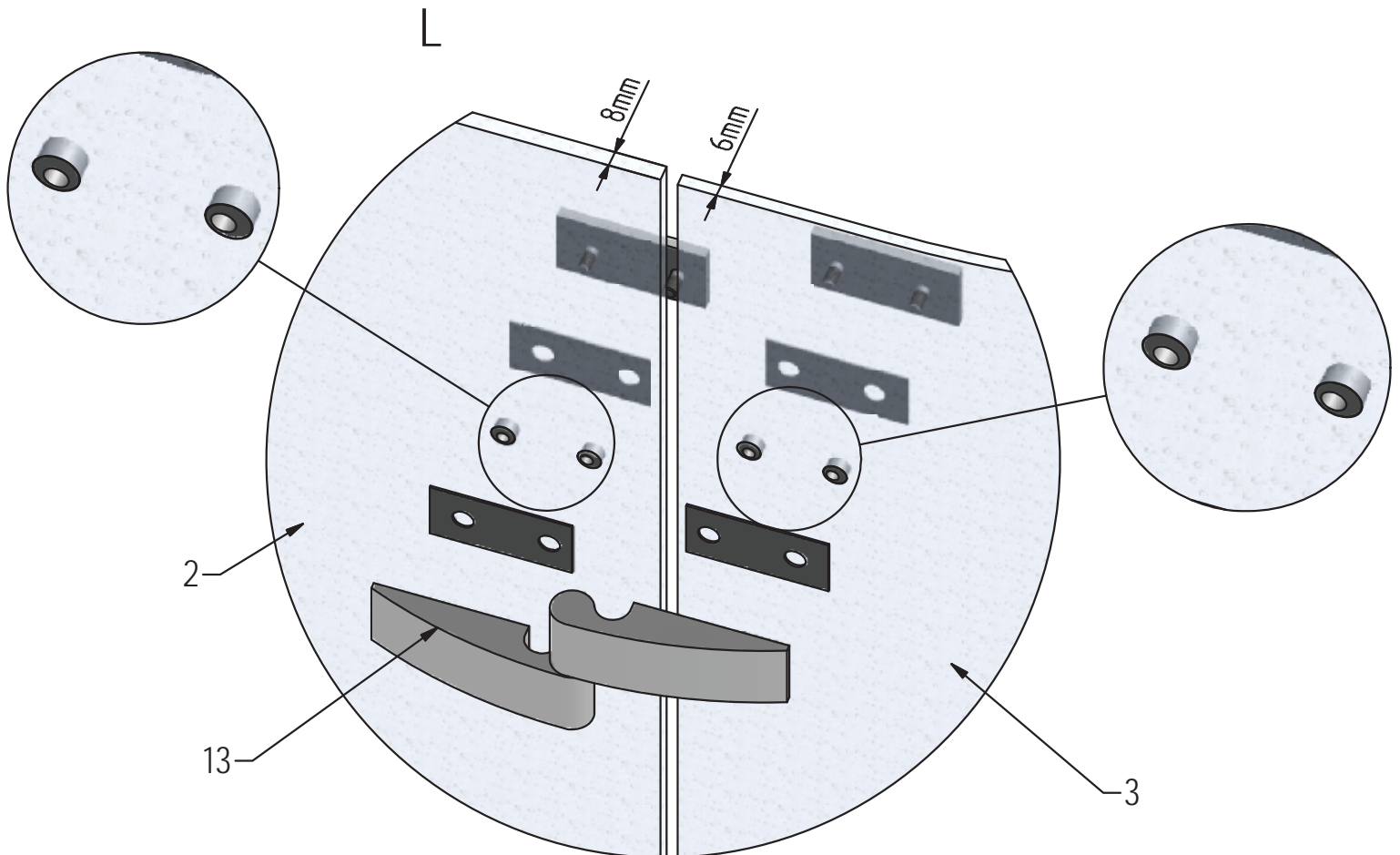
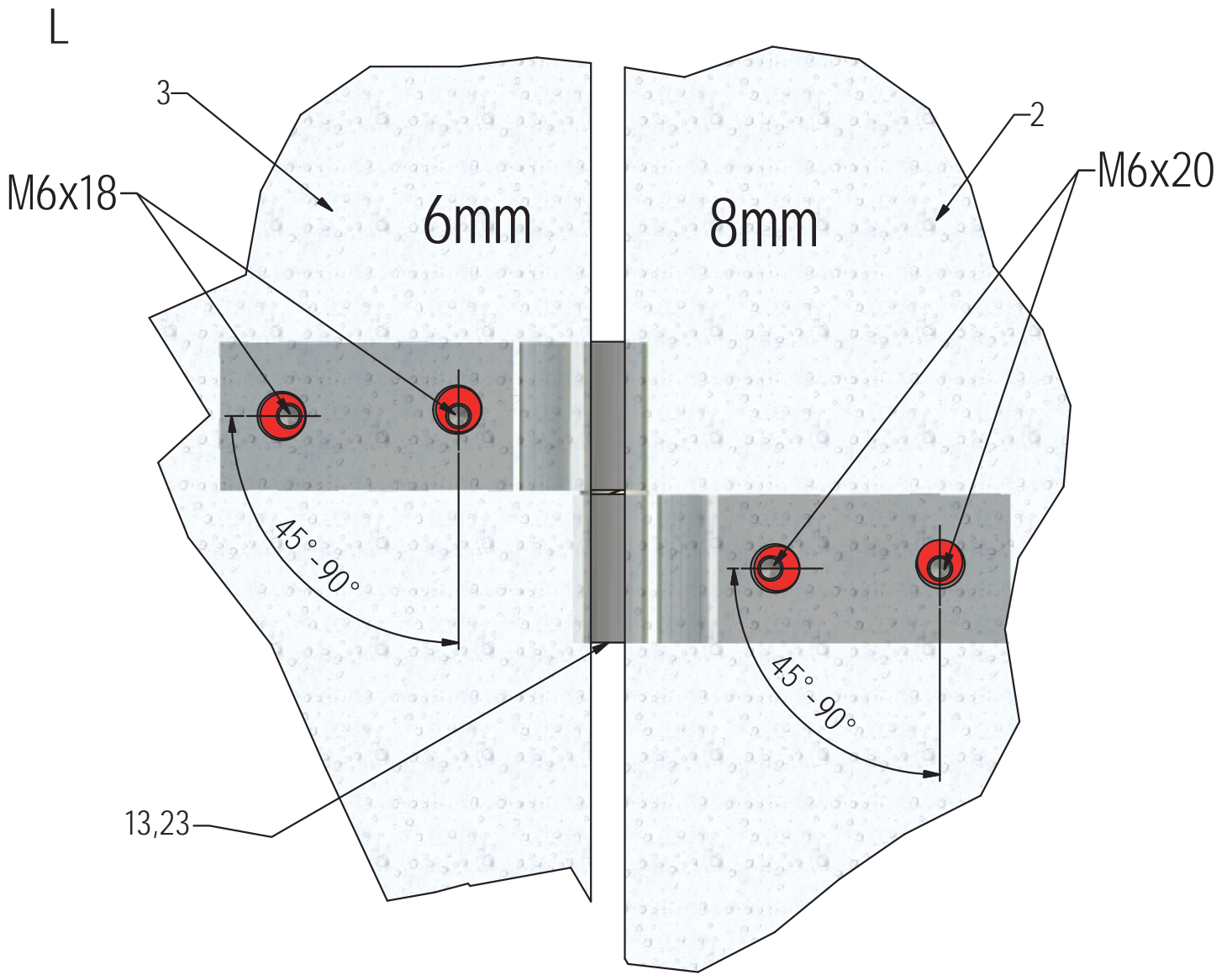


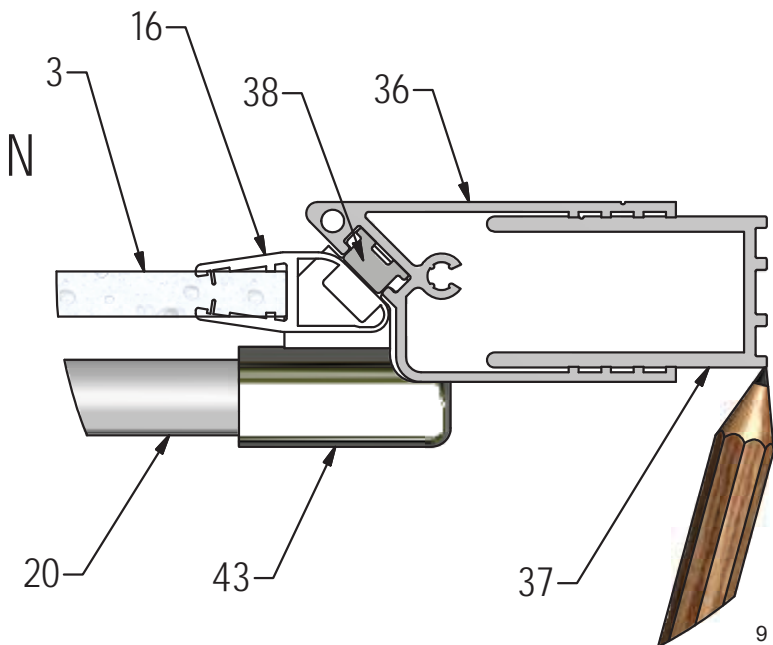
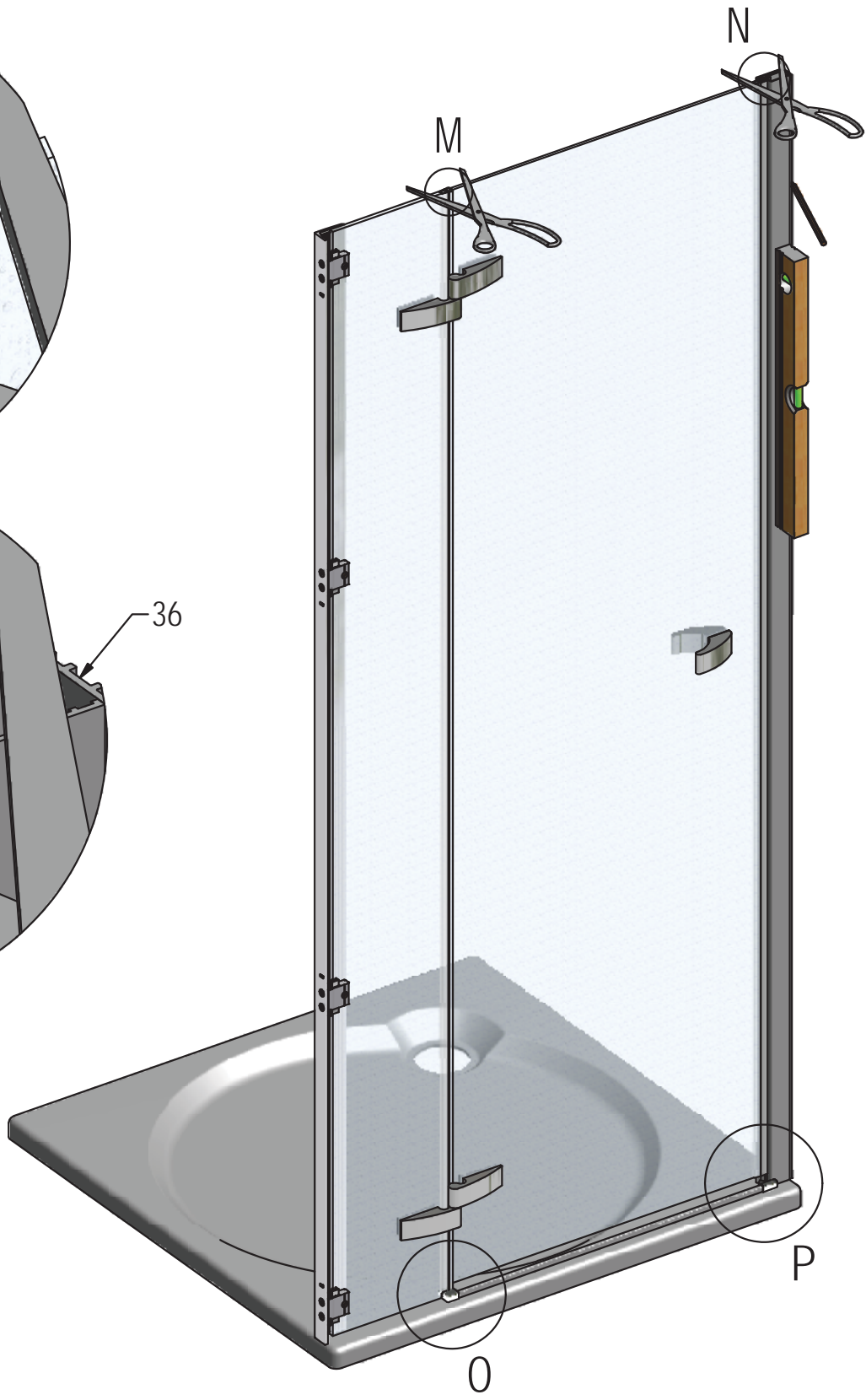
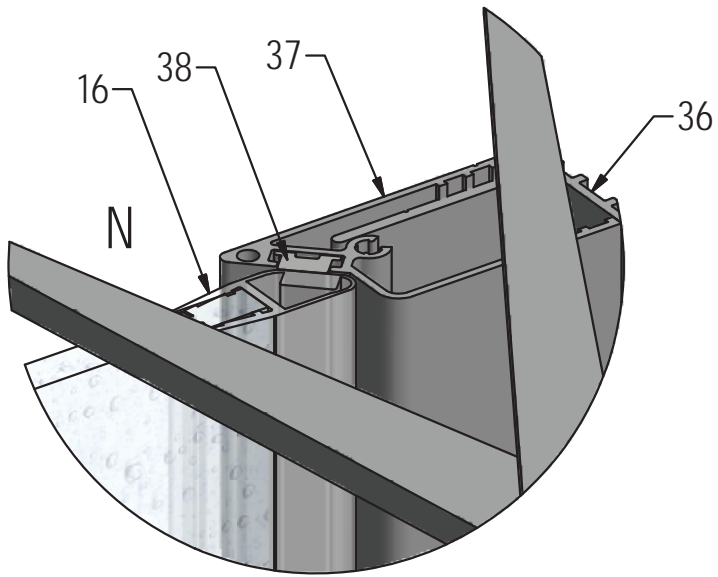
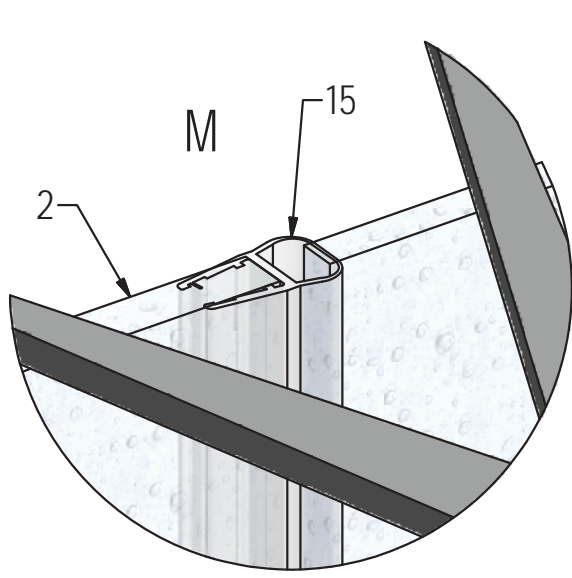


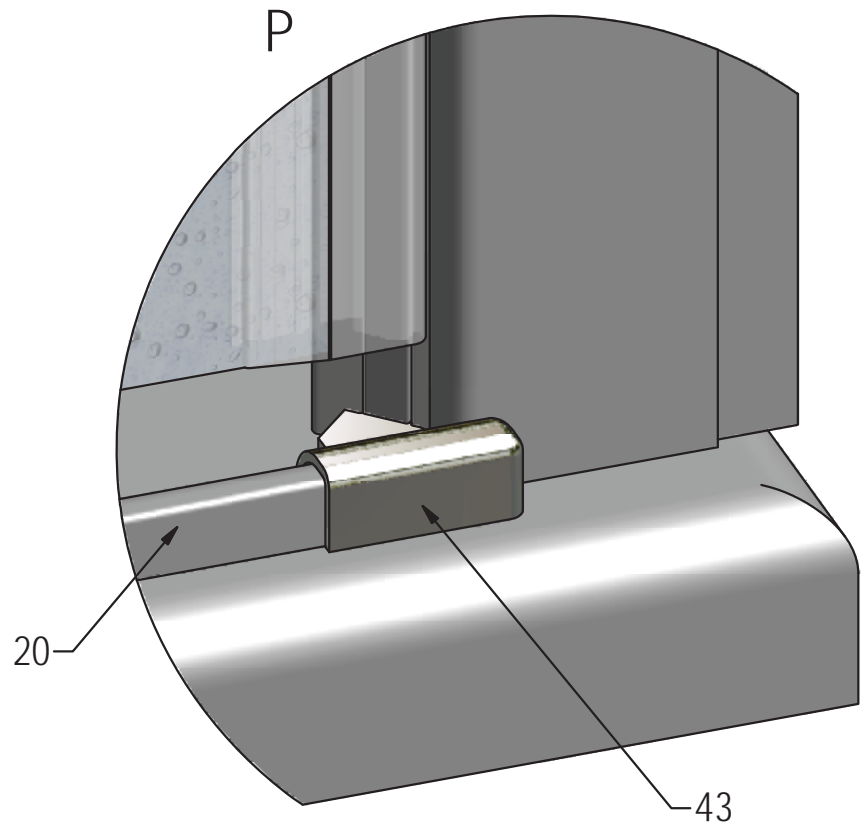
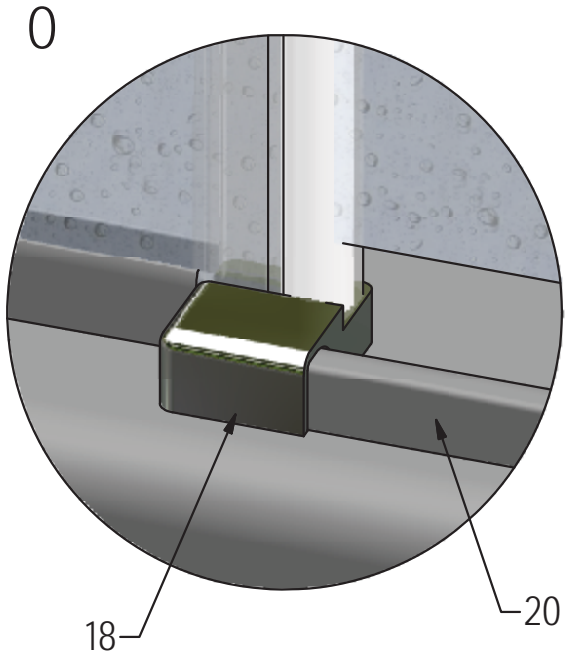
Attention



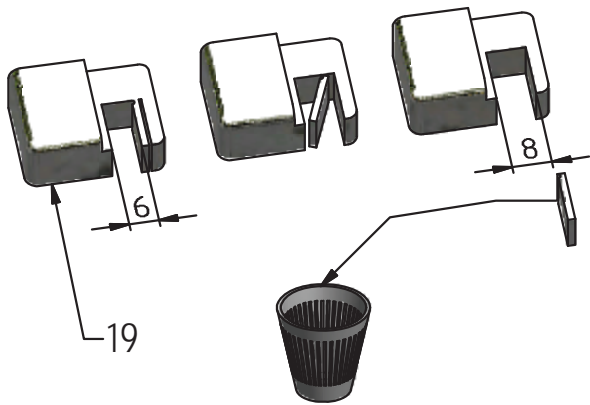




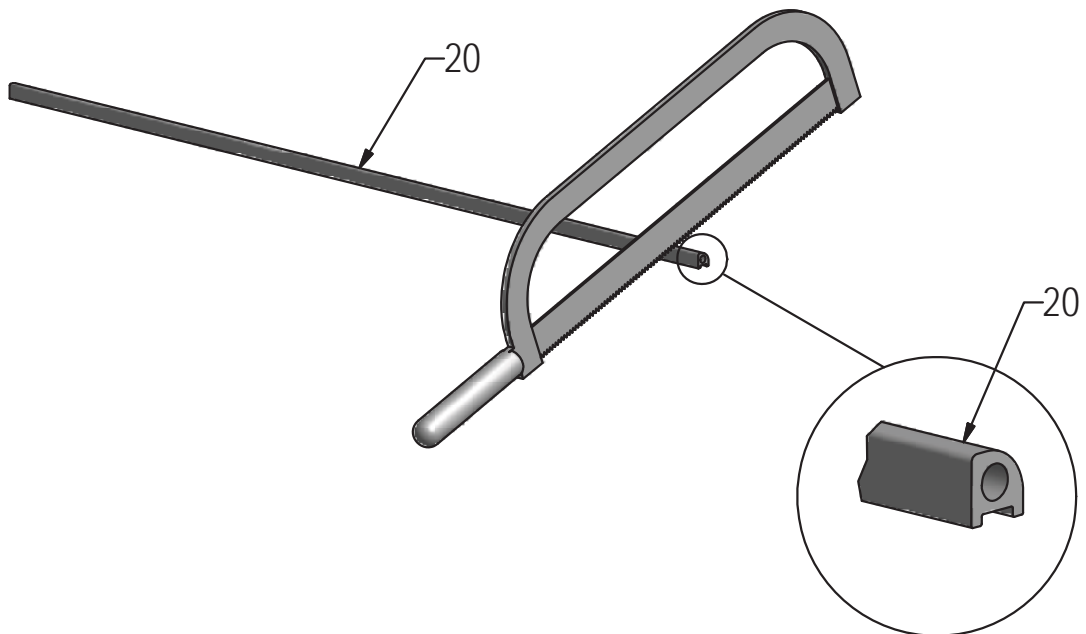
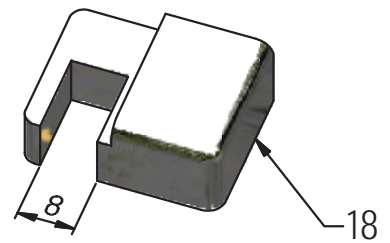


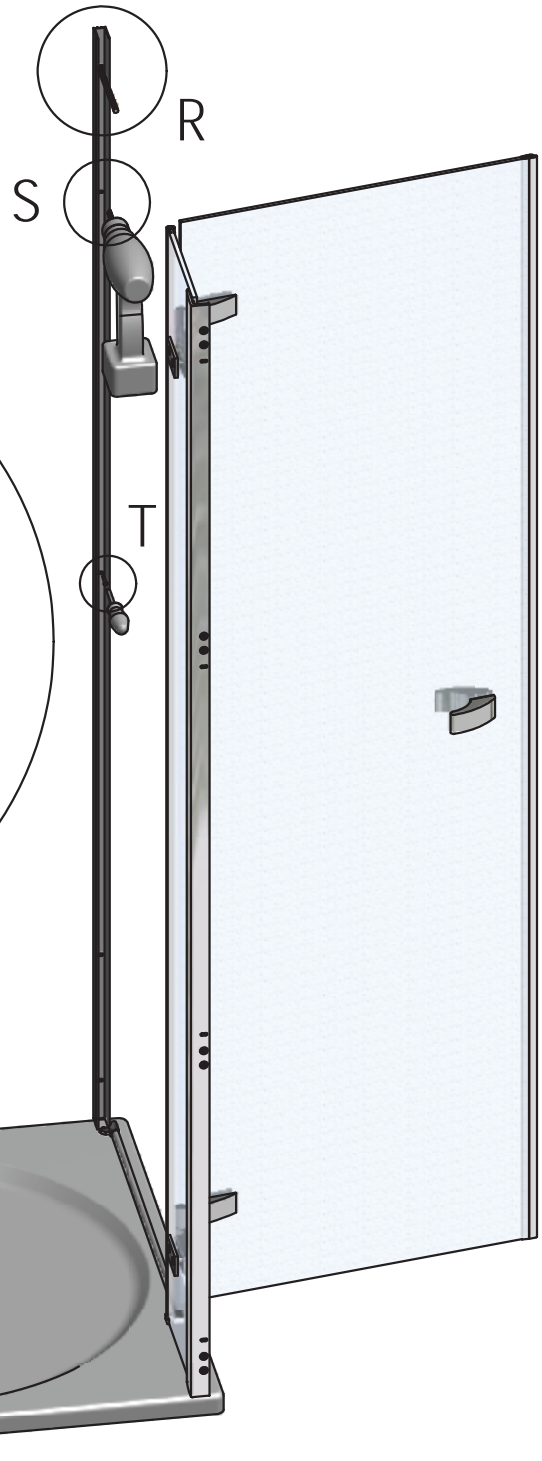
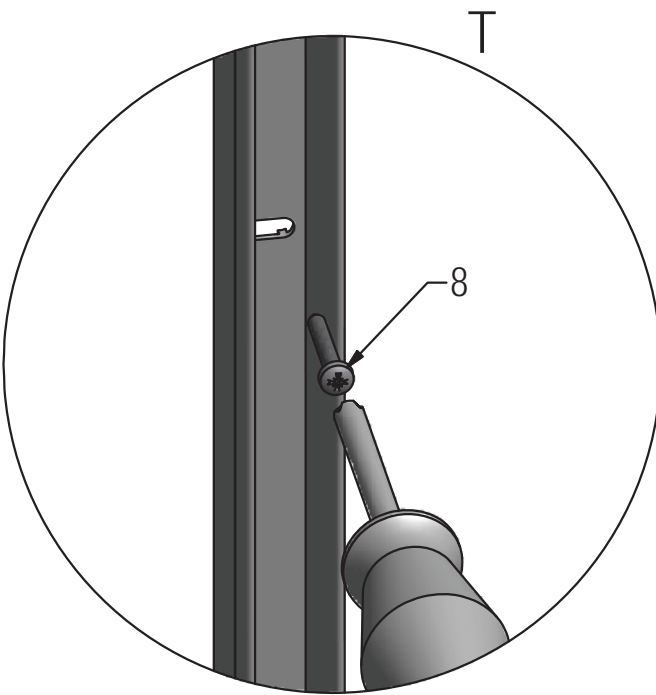
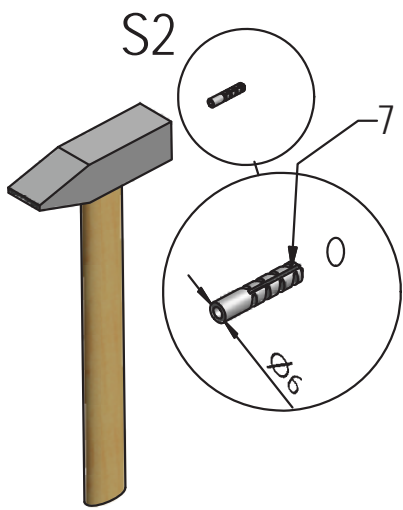
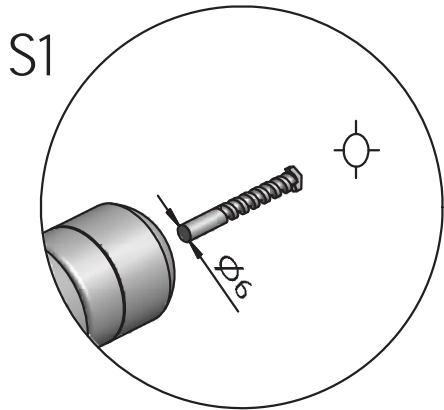
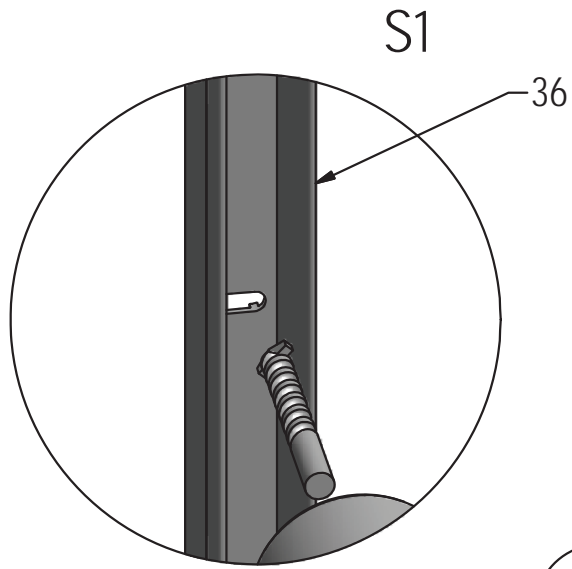
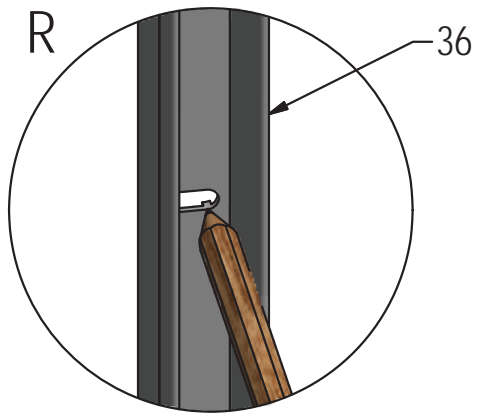


0 GDNP1

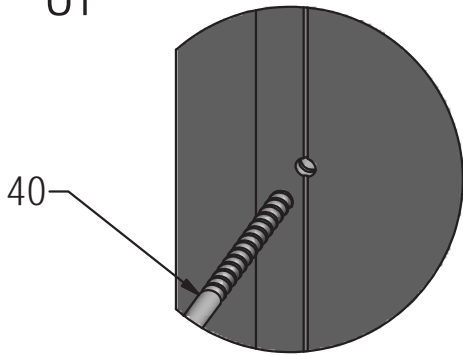


0 GDNL1

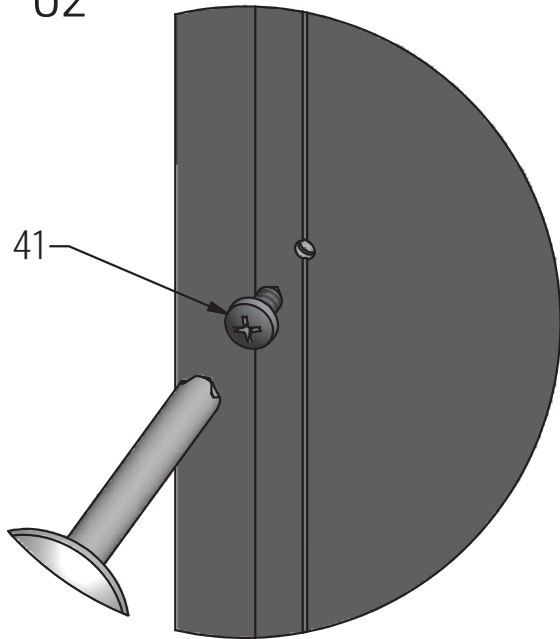




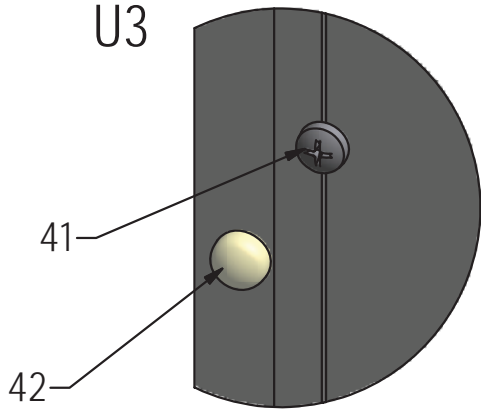
U1



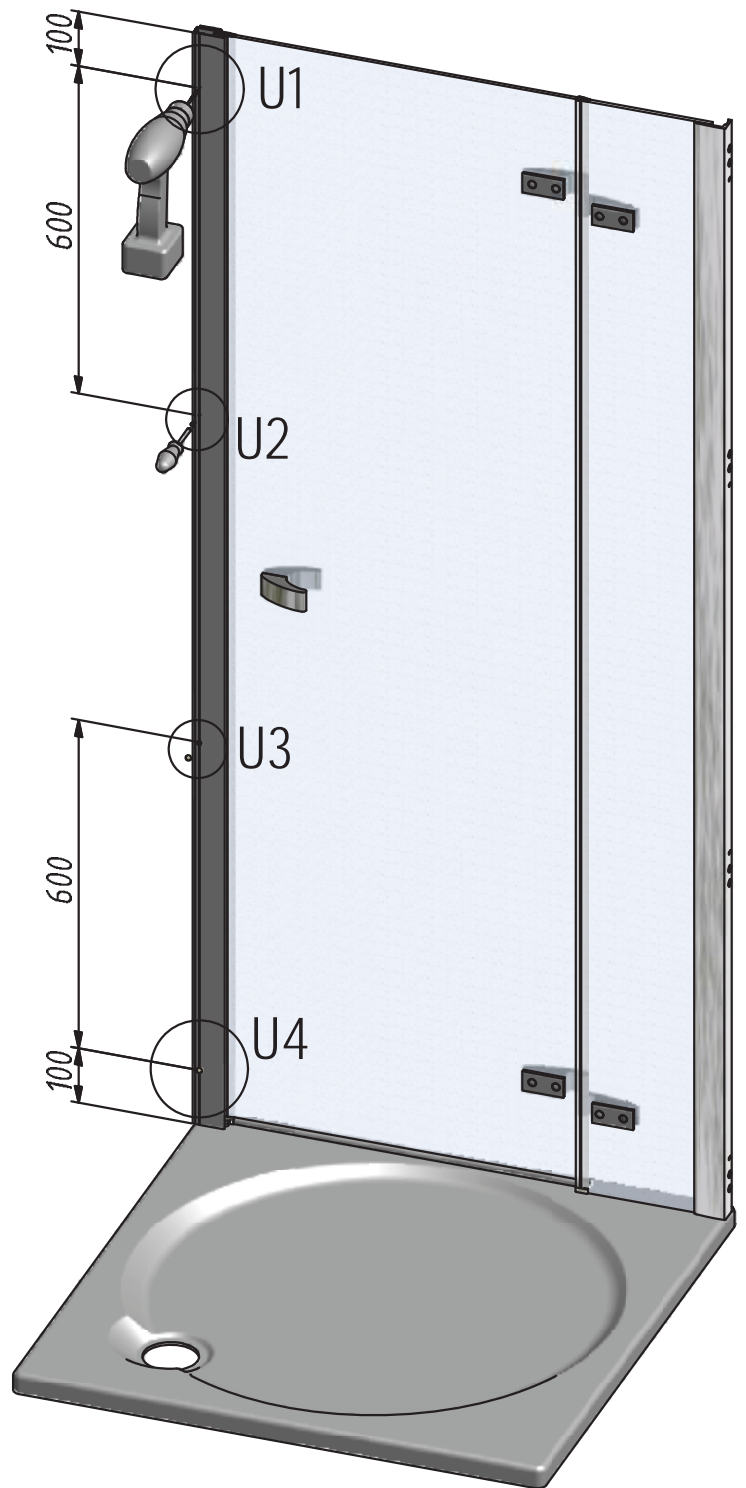
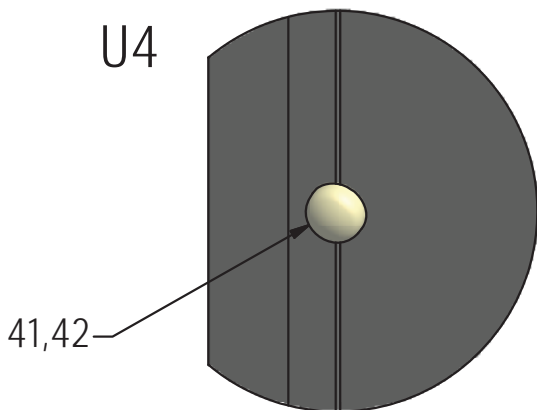
U2



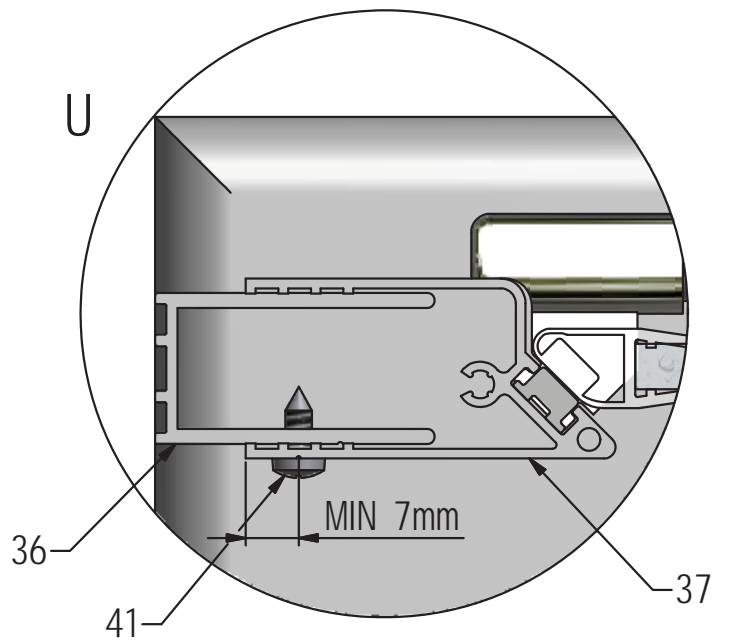
U3

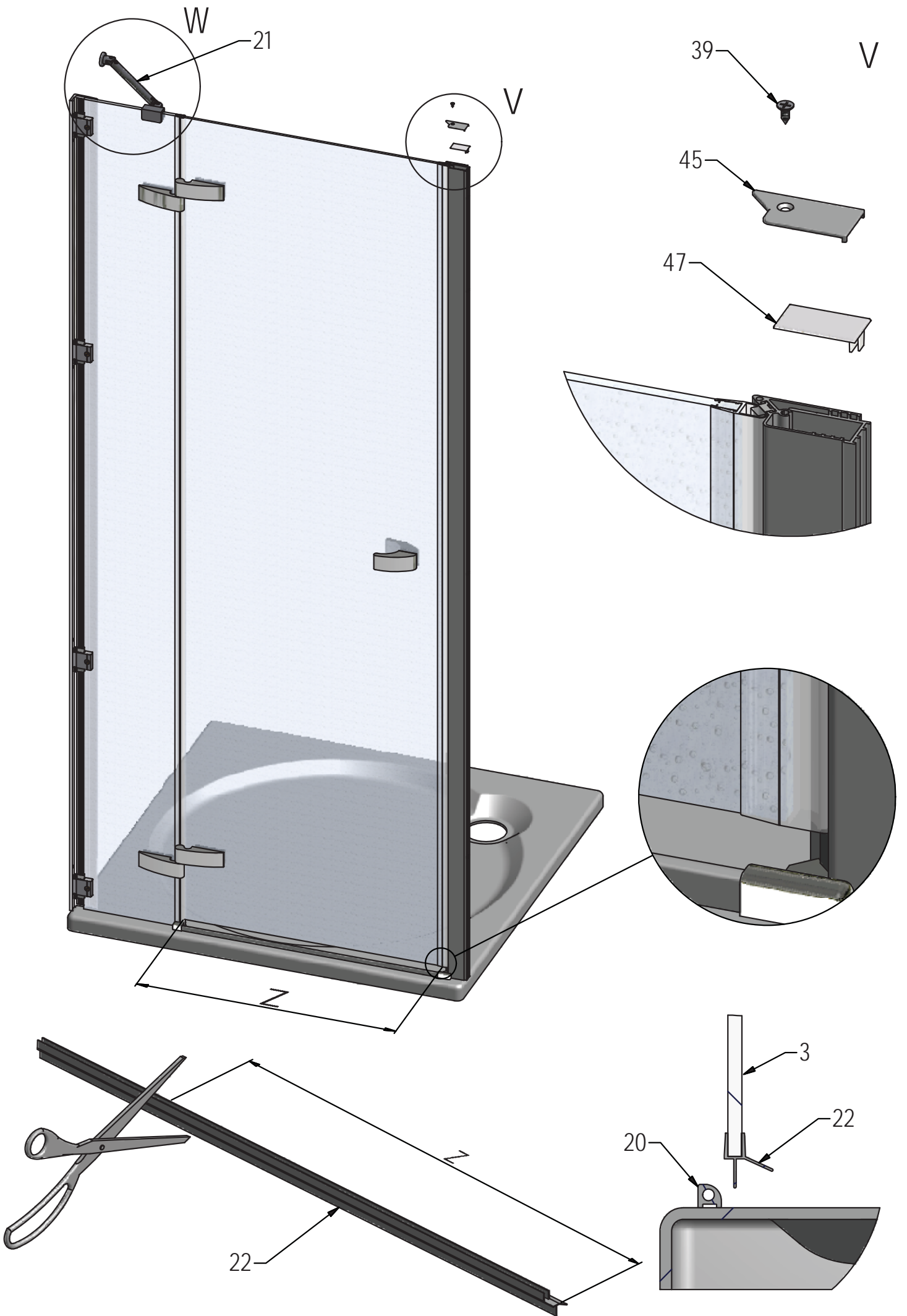


U4

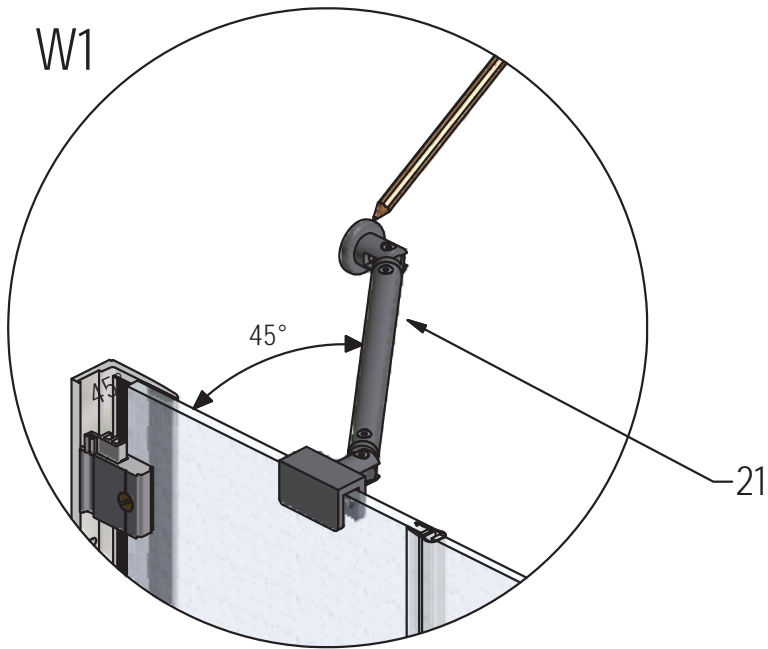


U

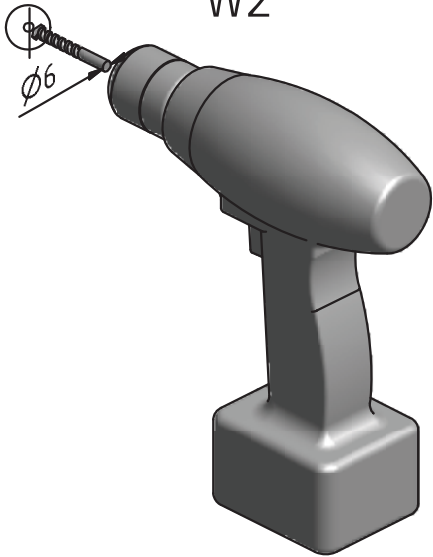




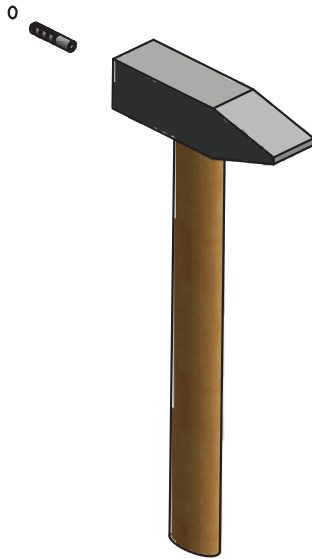
W1



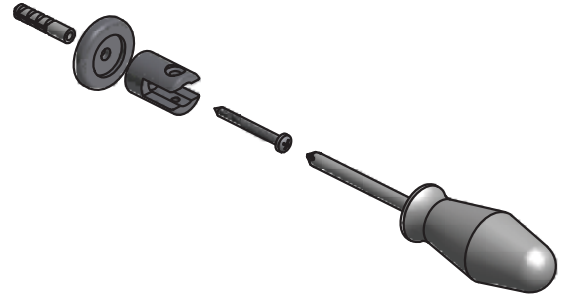
W2



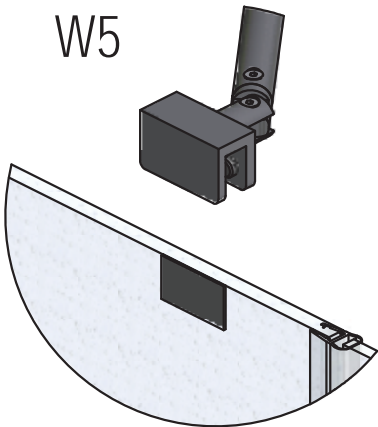
W3



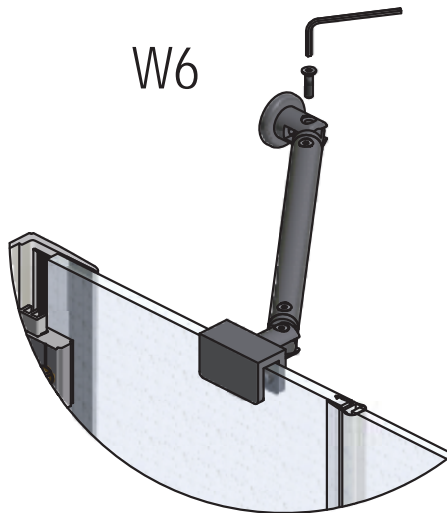
W4



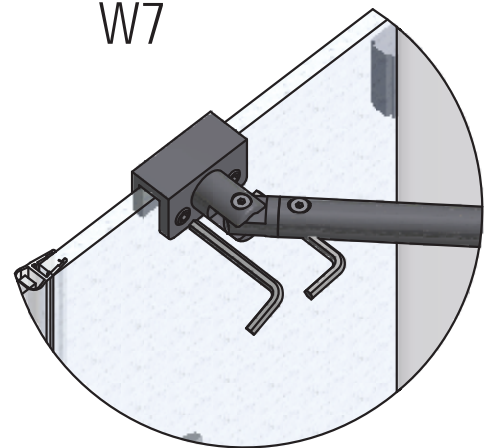
W5

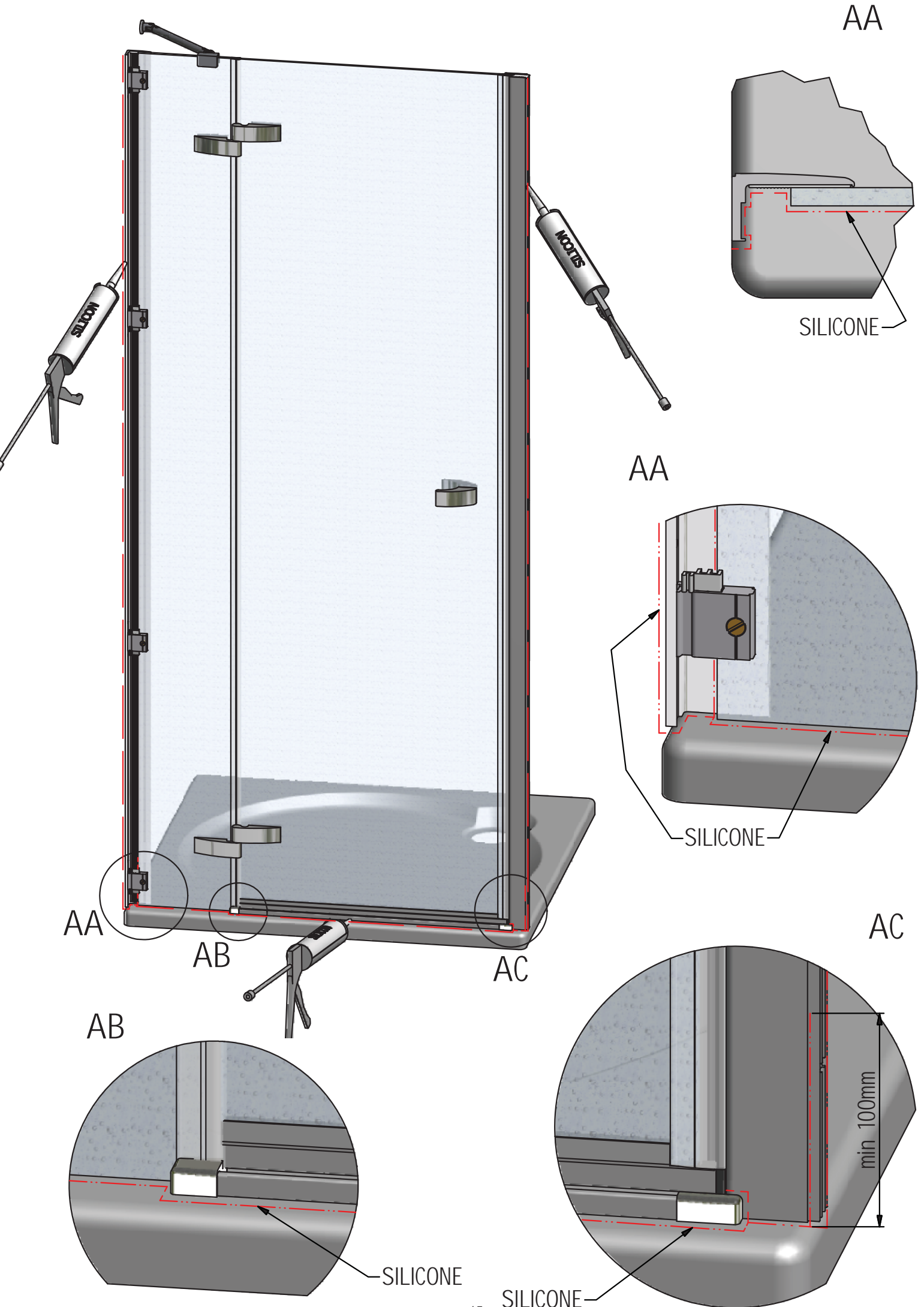


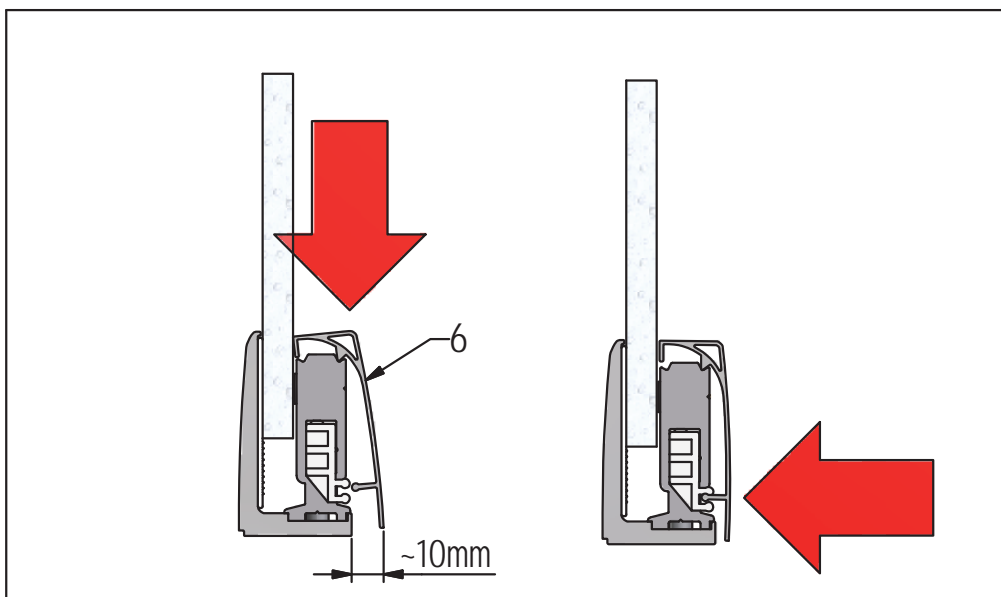
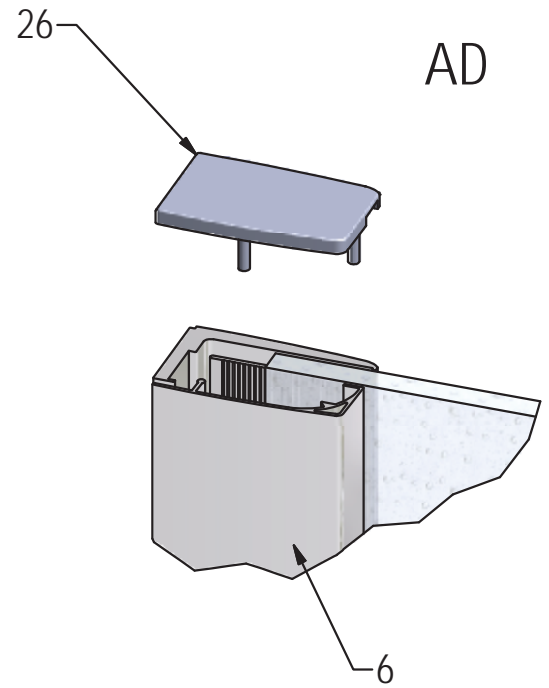
W6



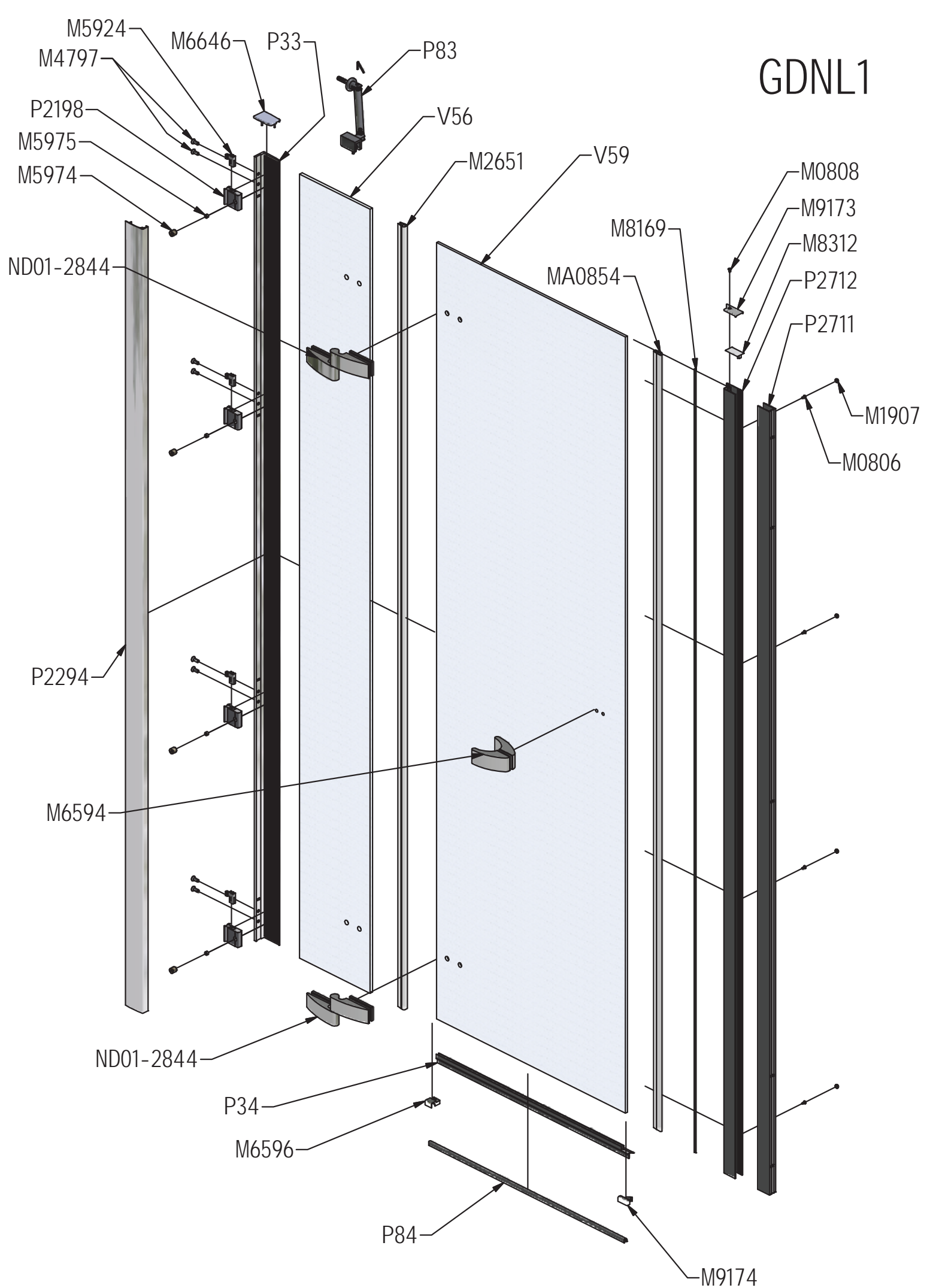
W7



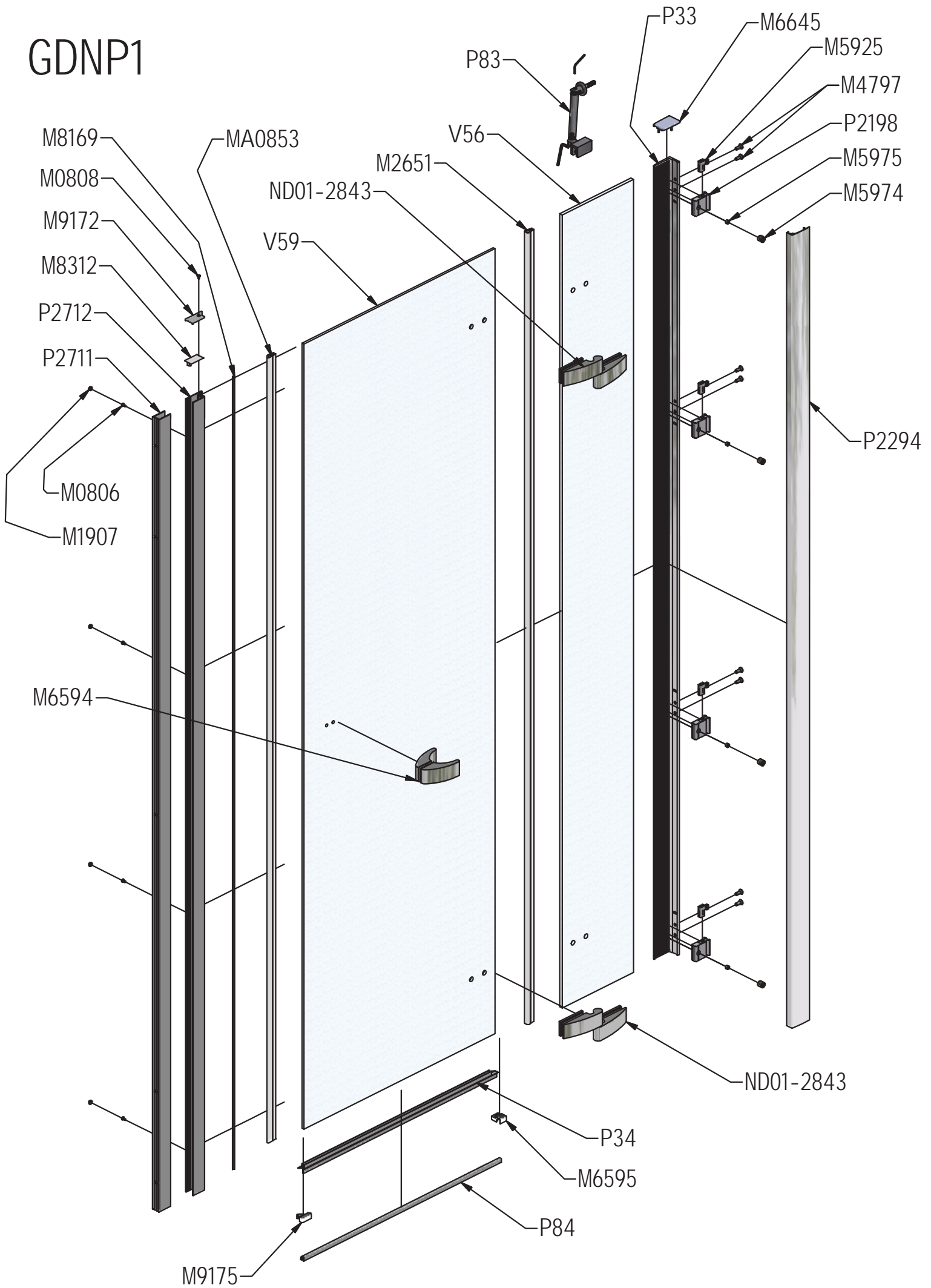




GDNL1



GDNP1



P33			ND01-0973-00
P34			ND01-2420
P83	800;900;1000;1100		M6473
	1200;1300;1400;1500		M6825
P84	800		ND01-2427-8
	900		ND01-2427-9
	1000		ND01-2427-9
	1100		ND01-2427-11
	1200		ND01-2427-11
	1300		ND01-2427-13
	1400		ND01-2427-13
	1500		ND01-2427-15

V56	800	clear glass	ND03-0278-00-02
	900		ND03-0278-00-02
	1000		ND03-0279-00-02
	1100		ND03-0279-00-02
	1200		ND03-0346-00-02
	1300		ND03-0346-00-02
	1400		ND03-0404-00-02
	1500		ND03-0404-00-02
V59	800	clear glass	ND02-0552-00-02
	900		ND02-0336-00-02
	1000		ND02-0336-00-02
	1100		ND02-0553-00-02
	1200		ND02-0553-00-02
	1300		ND02-0554-00-02
	1400		ND02-0554-00-02
	1500		ND02-0555-00-02

