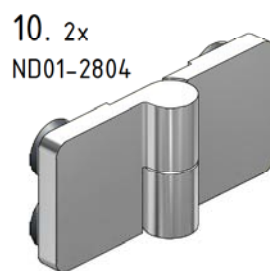


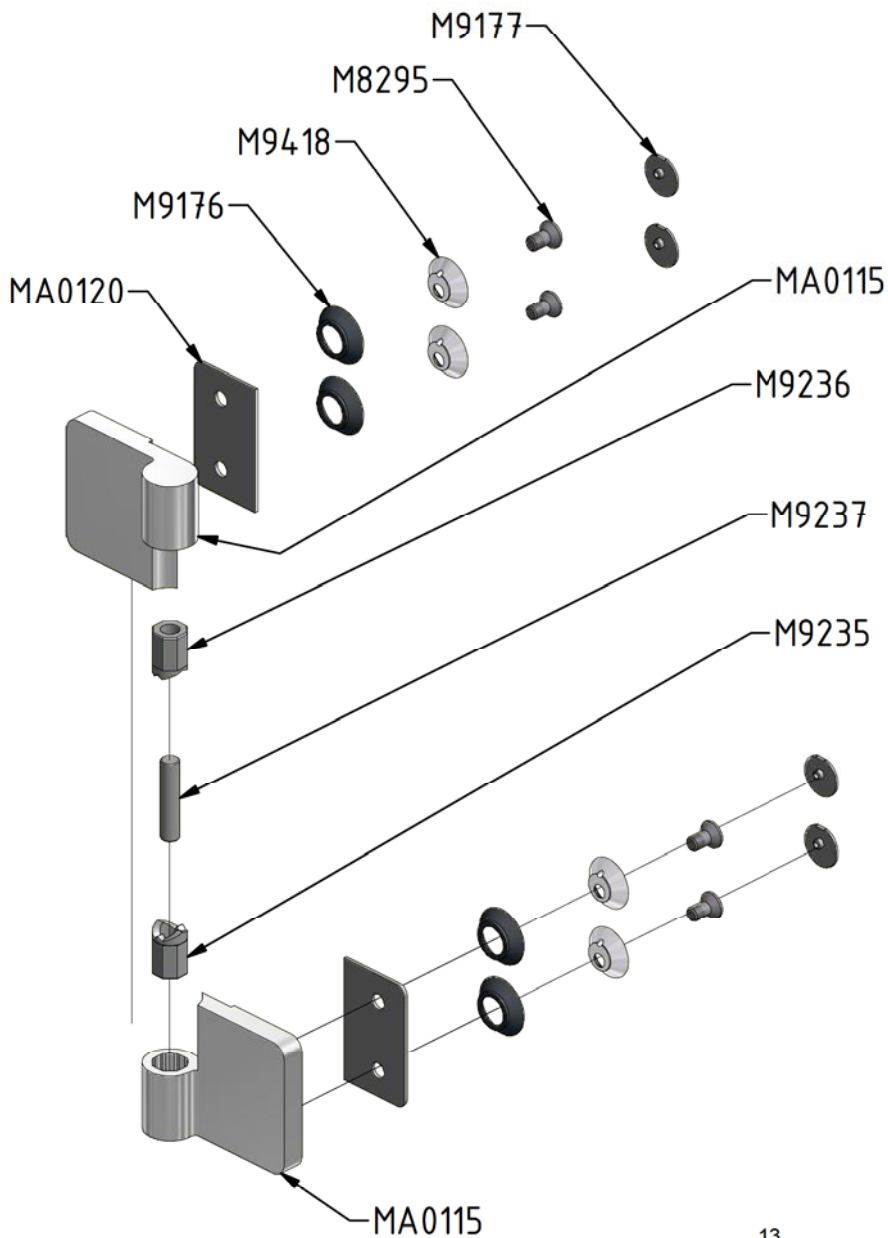
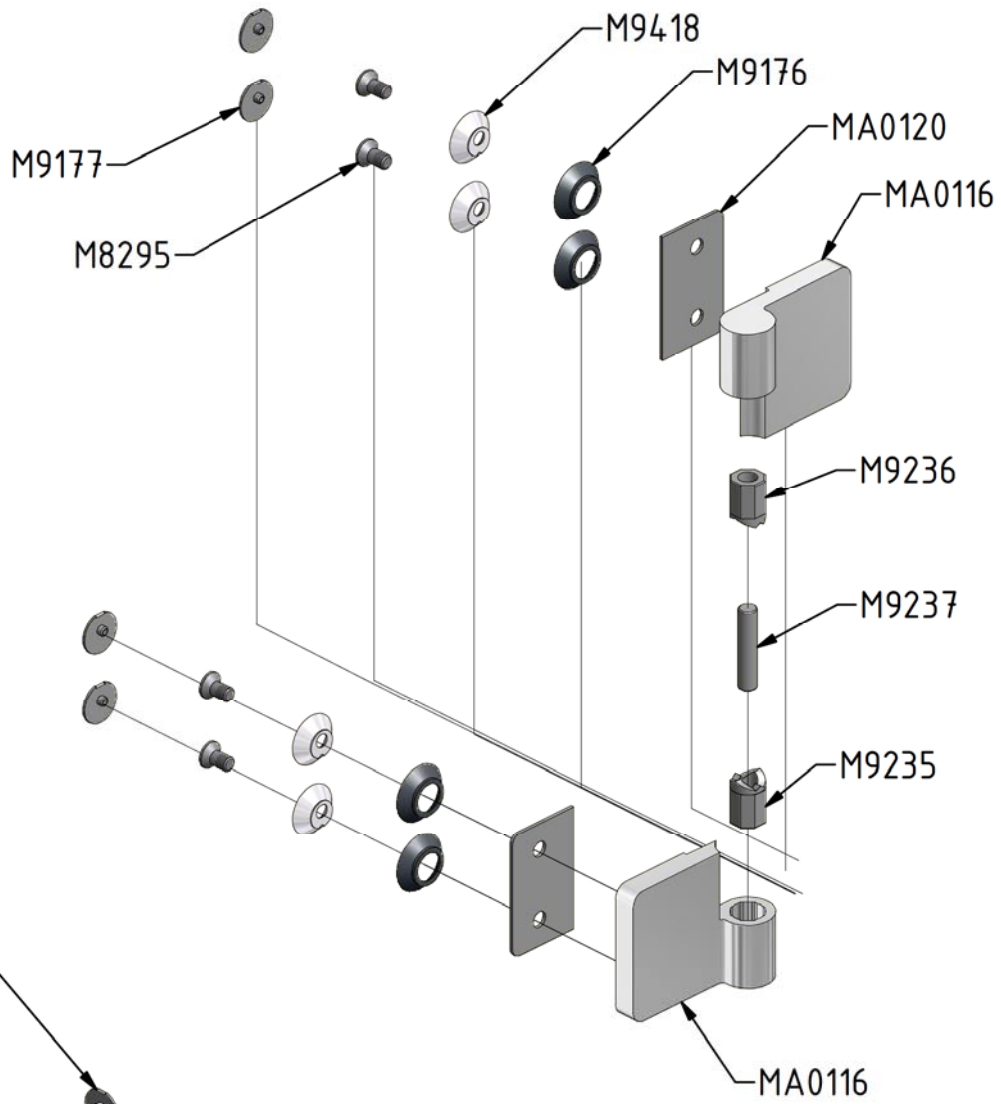
TZVL2



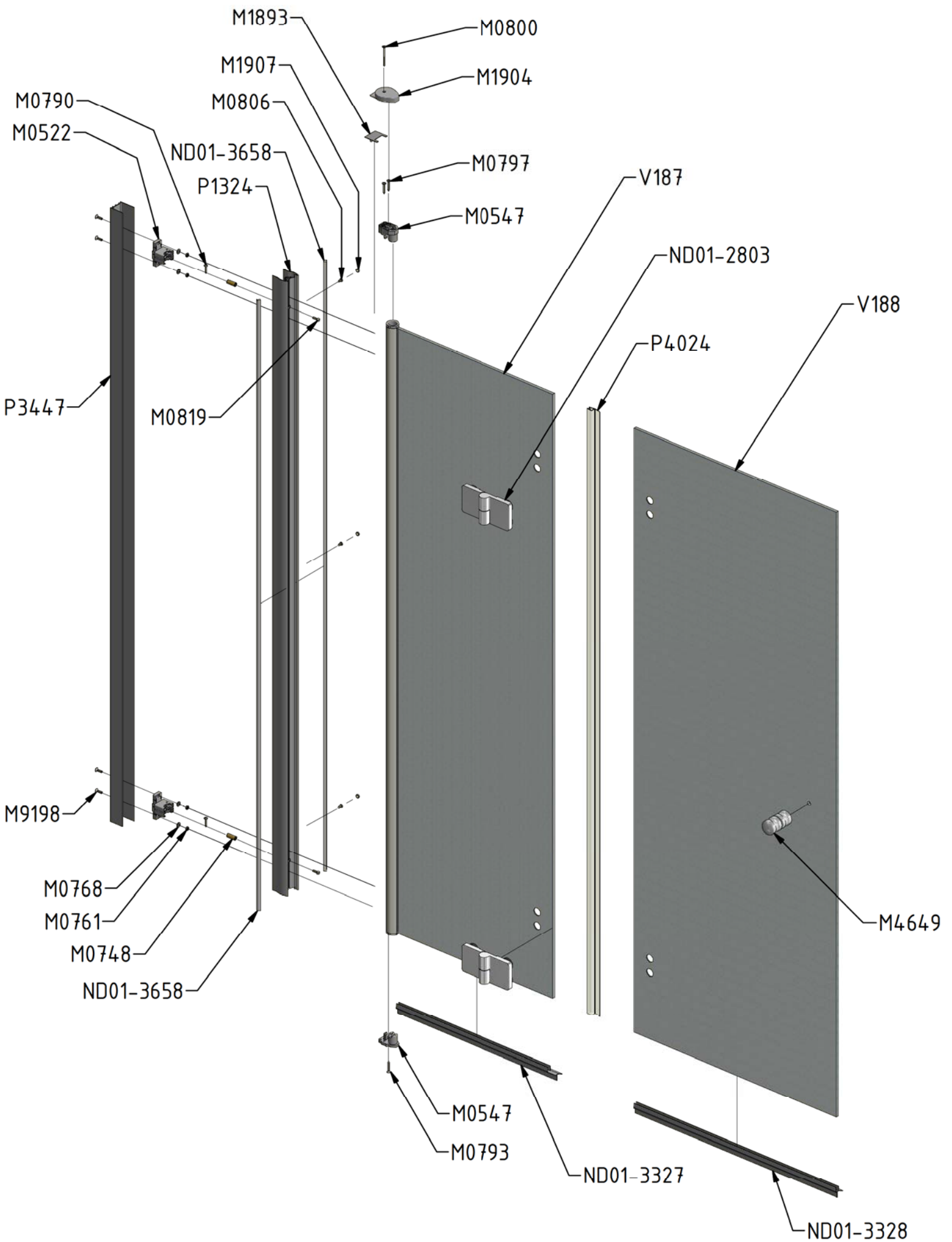
TZVP2



ND01-2803



ND01-2804



V187	1000	brillant+transparent	ND03-0644-00-02
	1100	brillant+transparent	ND03-0645-00-02
	1200	brillant+transparent	ND03-0646-00-02

V188	1000	transparent	ND02-0718-00-02
	1100	transparent	ND02-0719-00-02
	1200	transparent	ND02-0720-00-02