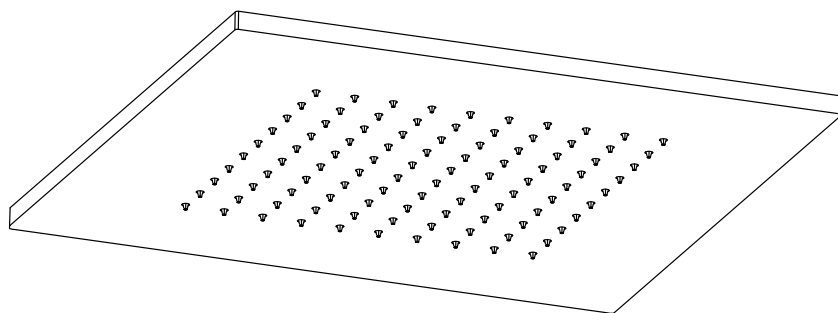
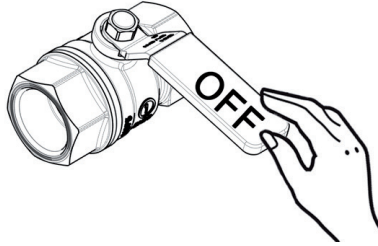


# ZSOF

029 ARIZONA	010
030 ISCHIA	015
031 ALABAMA	016
032 OREGON	017
046 BELINDA	018
075 SYNCRO	034
077 BERRY	035
074 MASTER	038
078 SYNCRO KING	061
079 MASTER KING	062
080 BERRY KING	063
081 NIRVANA	063..350
082 TURBO	064
091 CITY	065
092 WIND	073
093 BAHAMAS	090
094 JAMAICA	118
095 HAWAI	119
096 ZANZIBAR	
101 MASTER SPECIALE	
102 BLANC	
103 ENERGY	
104 ORIGINAL	
115 PANDA	



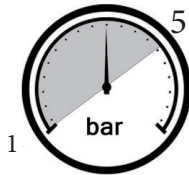
1



$65 \pm 5^\circ\text{C}$



$15 \pm 5^\circ\text{C}$

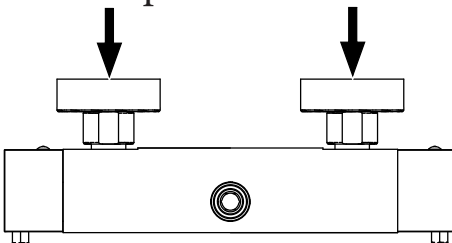


MIN - MAX



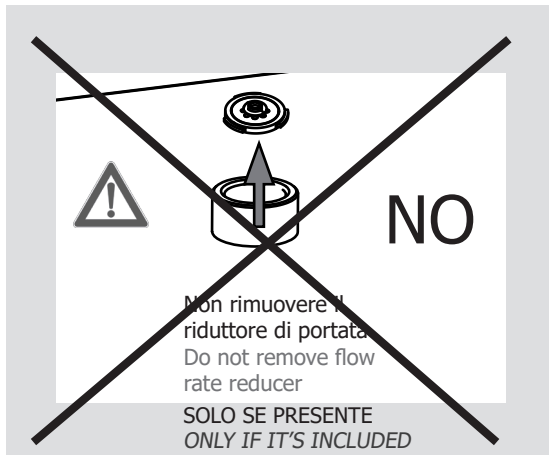
OK

$\Delta p$  MAX 1bar

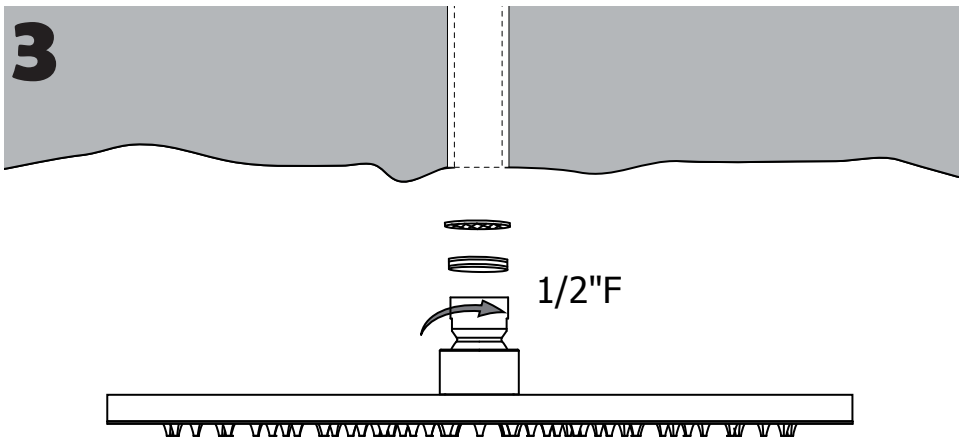


$\Delta p$ : differenza pressione in entrata  
different inlet water pressure

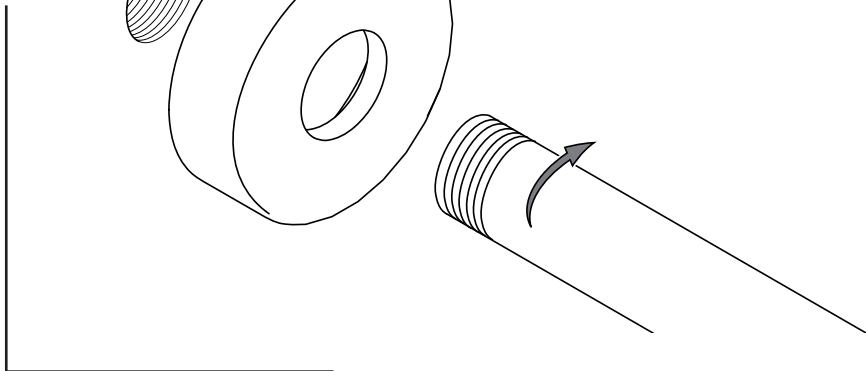
**2**

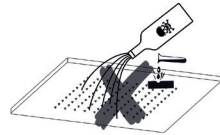
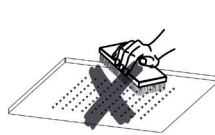
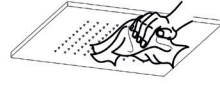
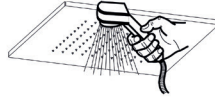
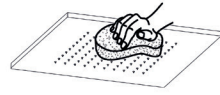
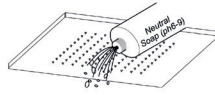


**3**



**4**





**P** Pulizia  
Cleaning

