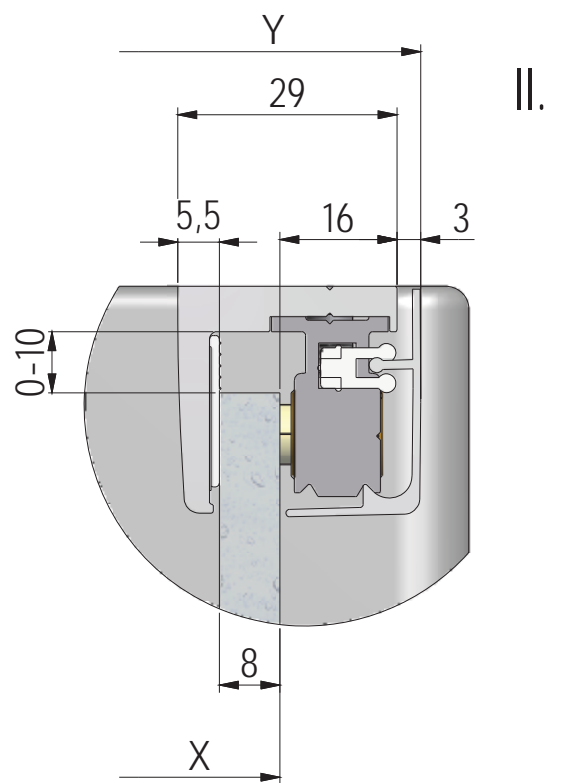
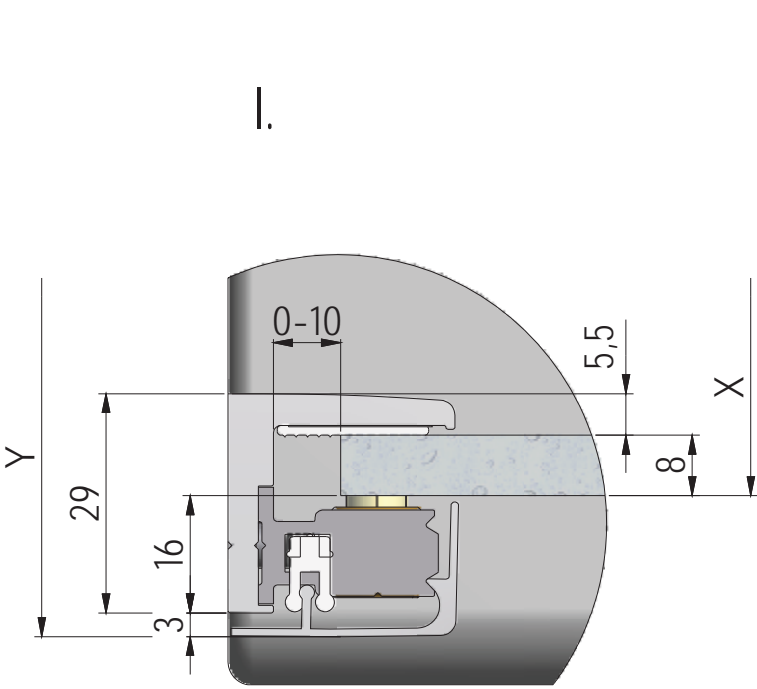
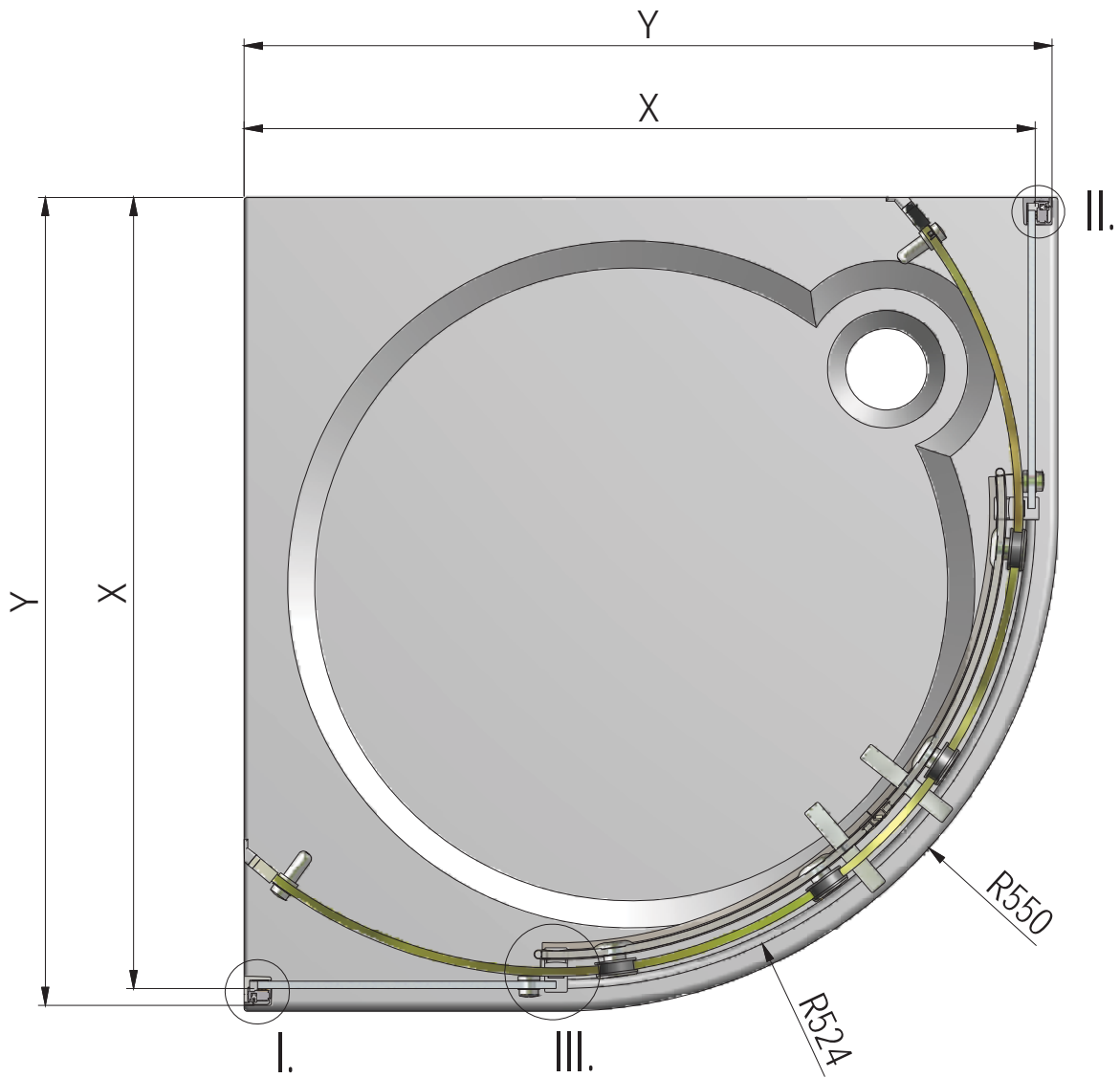


AMR2N

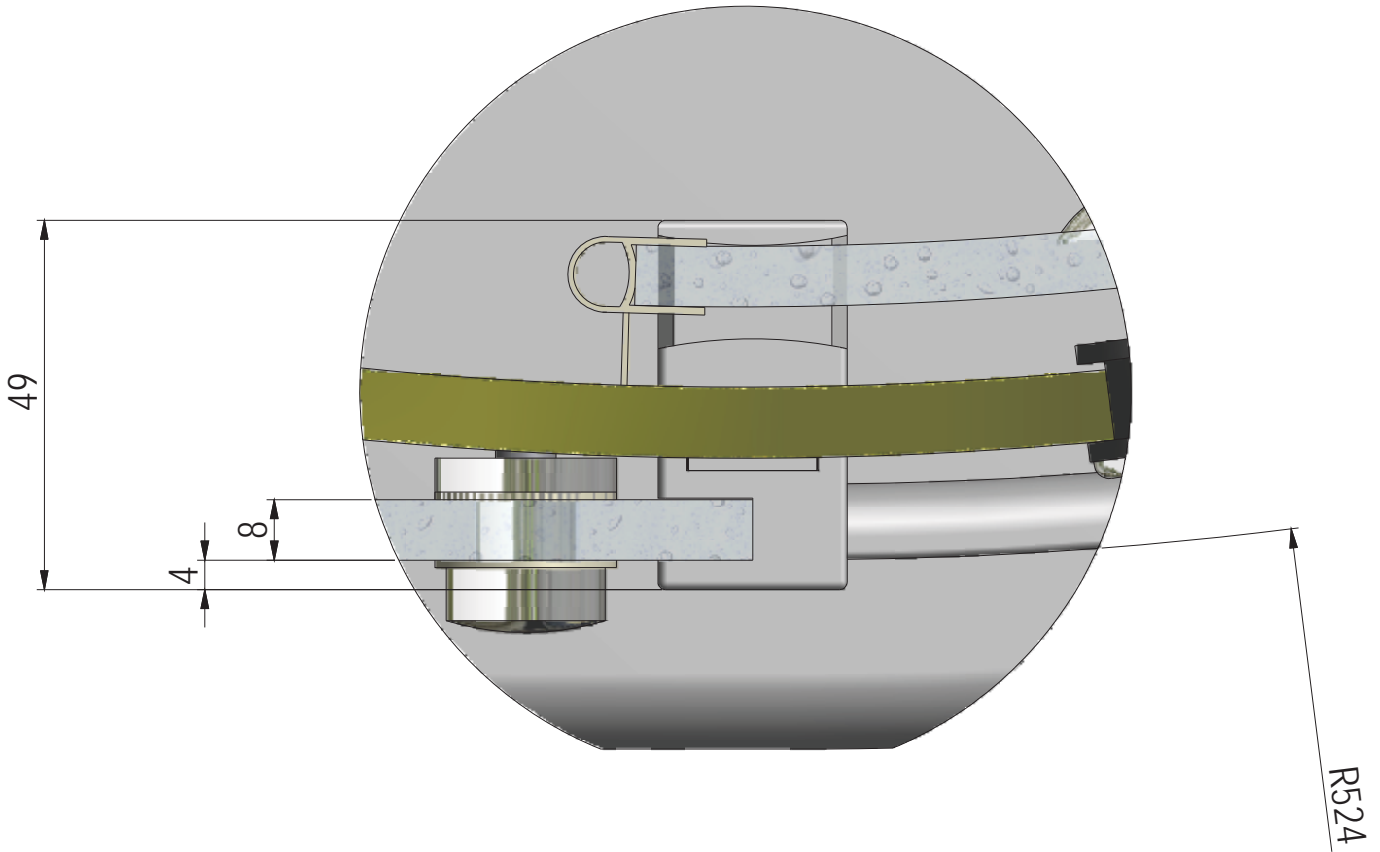


Roltechnik a.s.; Czech Republic, 56933 Třebařov 160,
tel.:+420 461 324 301/302, fax: +420 461 324 297,
<http://www.roltechnik.com>; e-mail: objednavky@roltechnik.cz

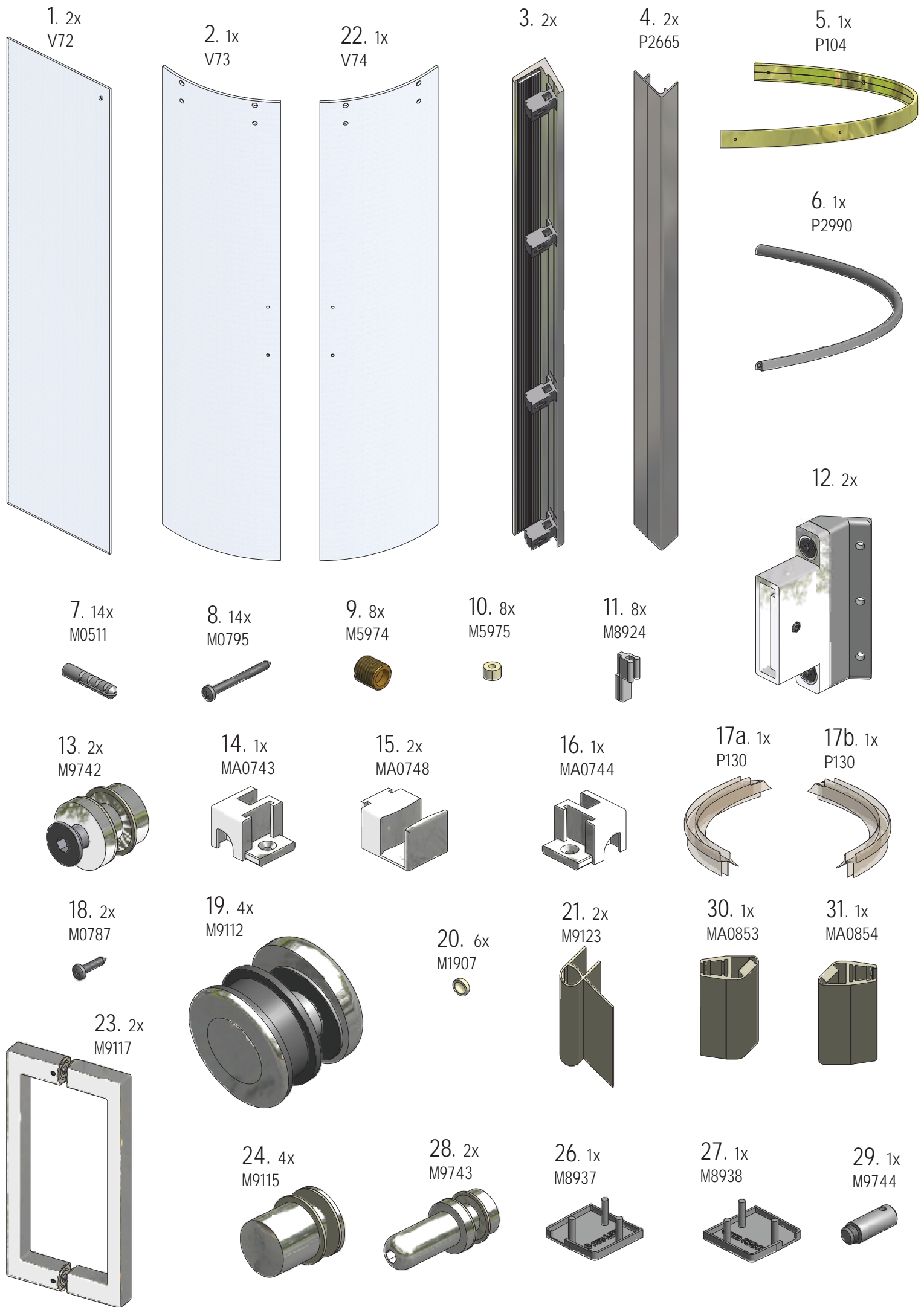
R02
MA1140

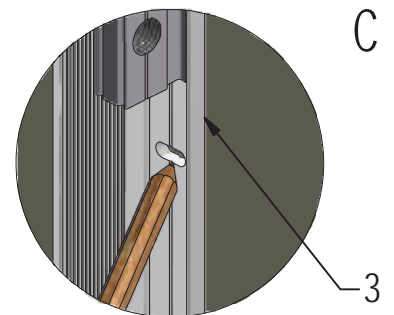
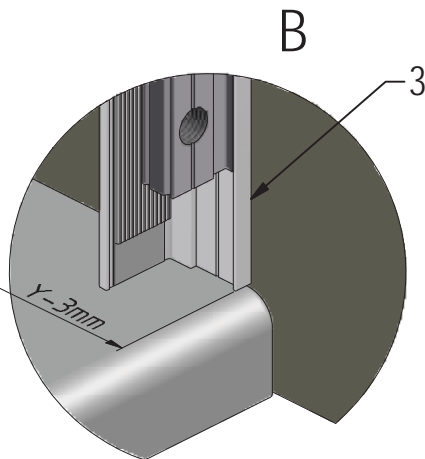
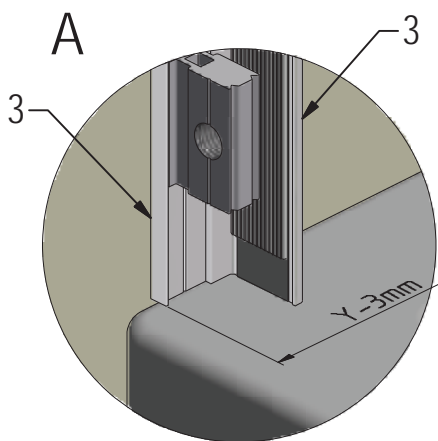
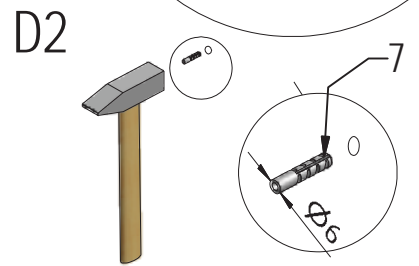
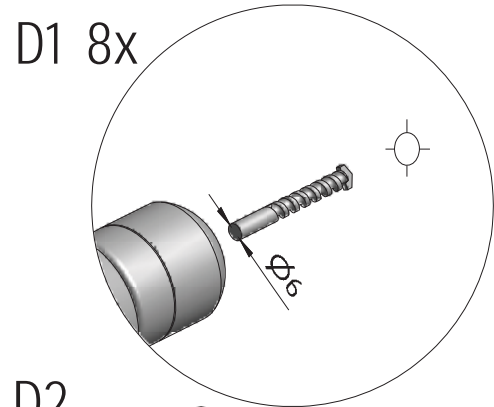
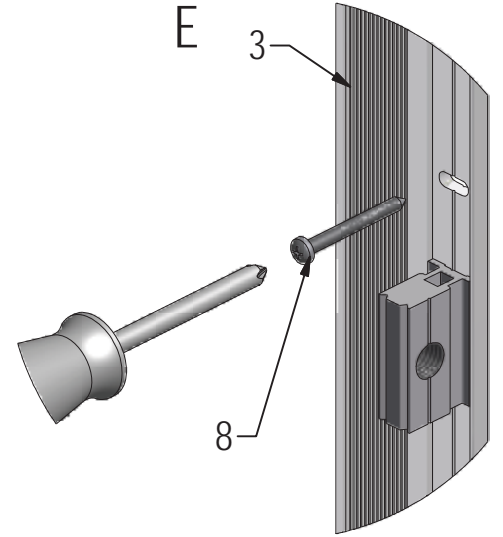
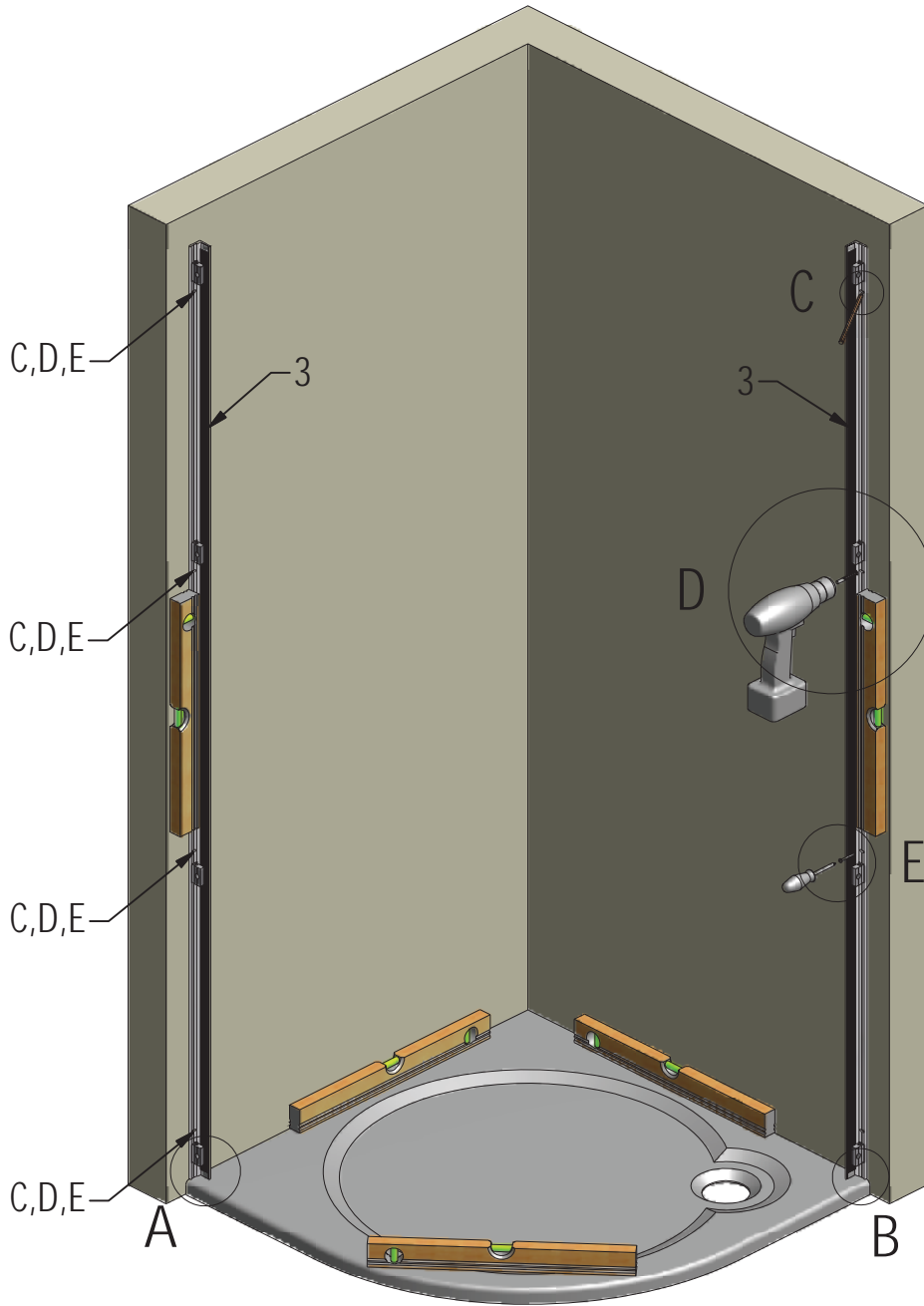
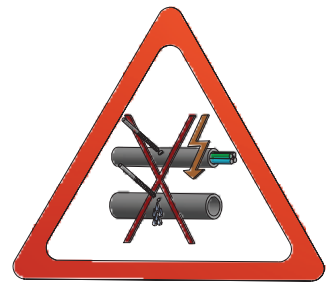


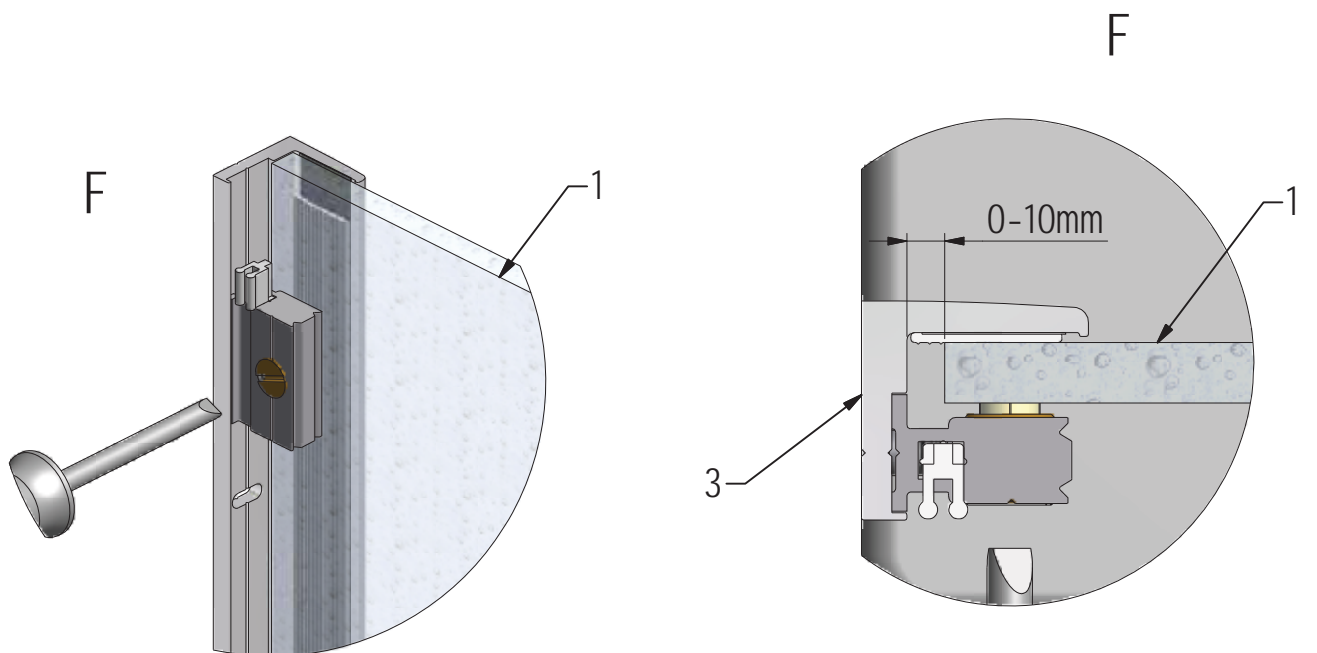
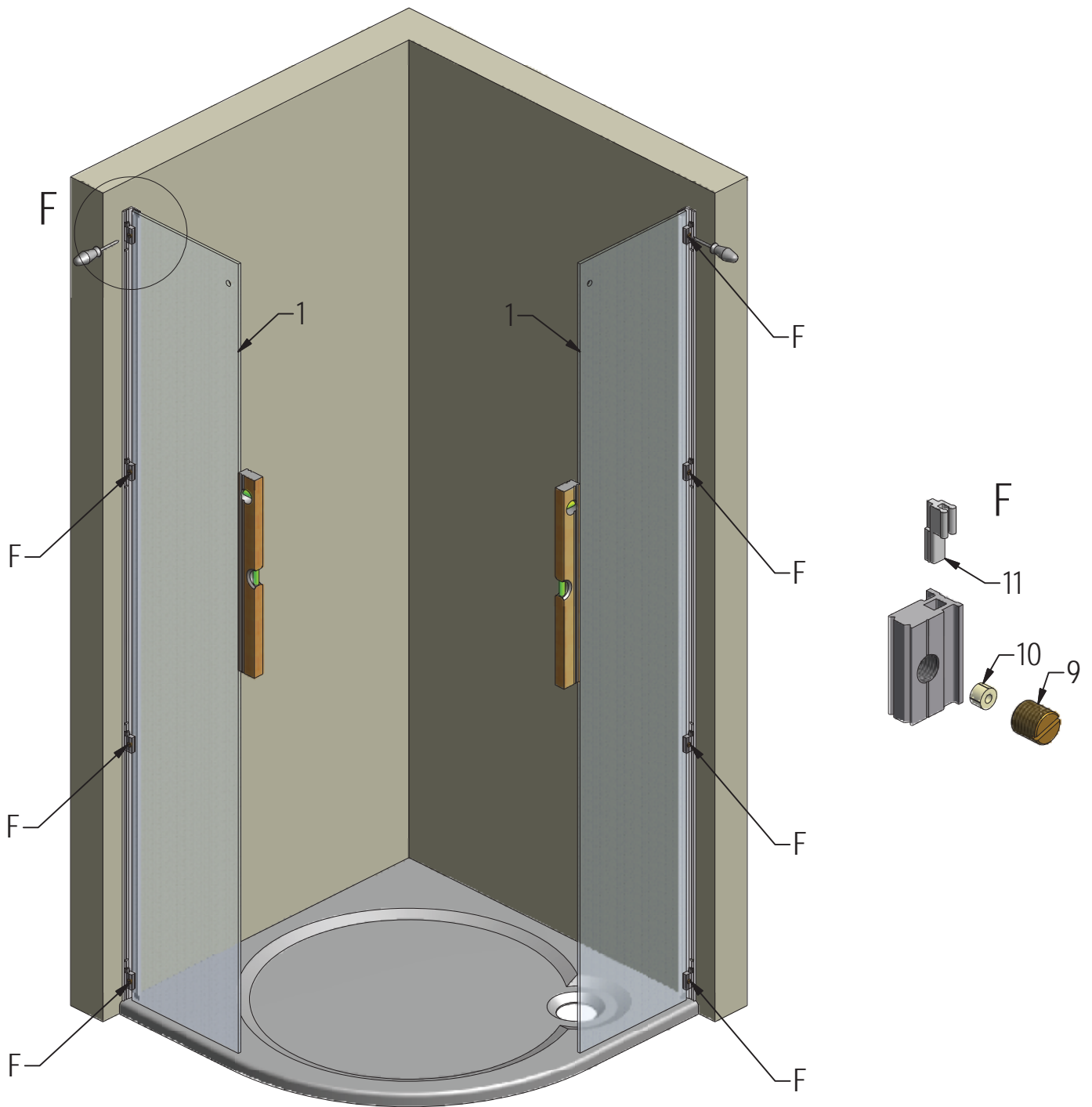
III.

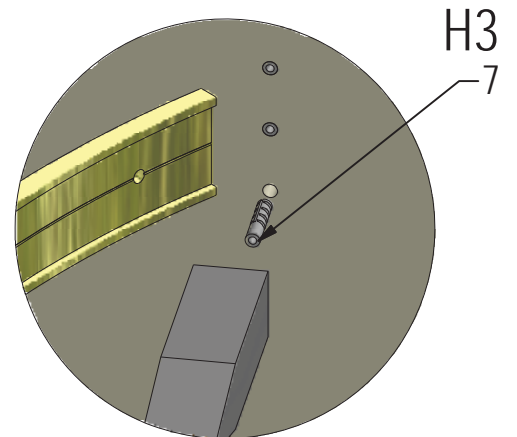
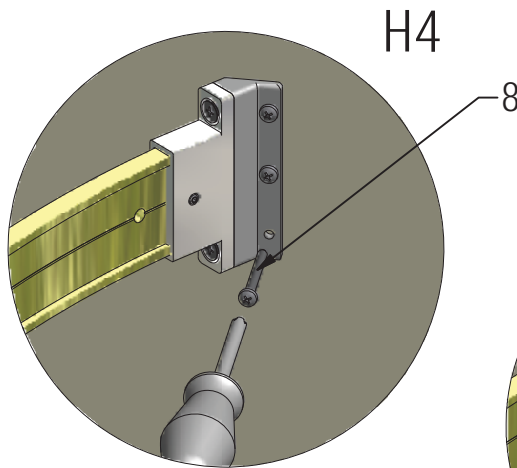
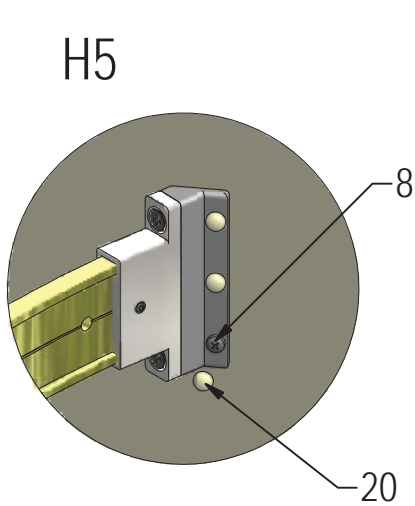
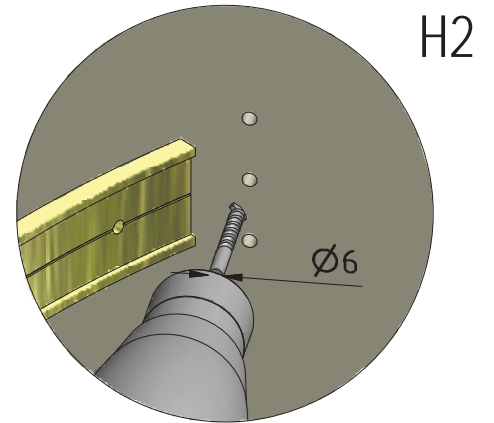
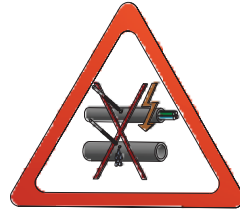
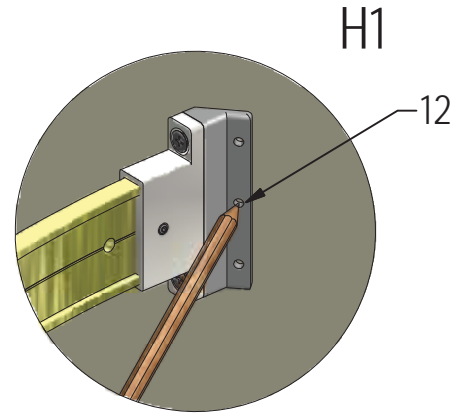
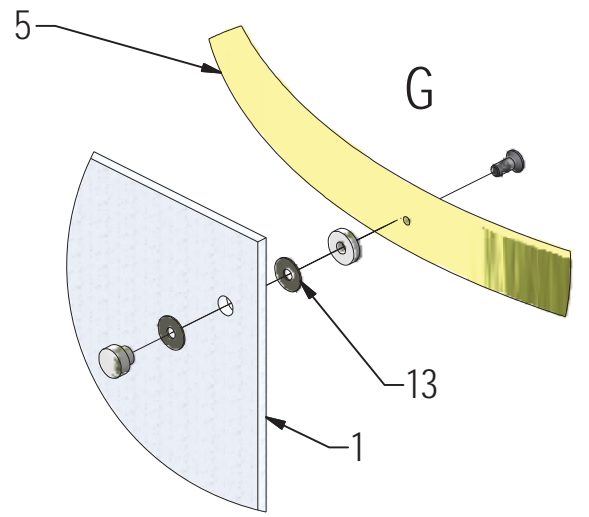
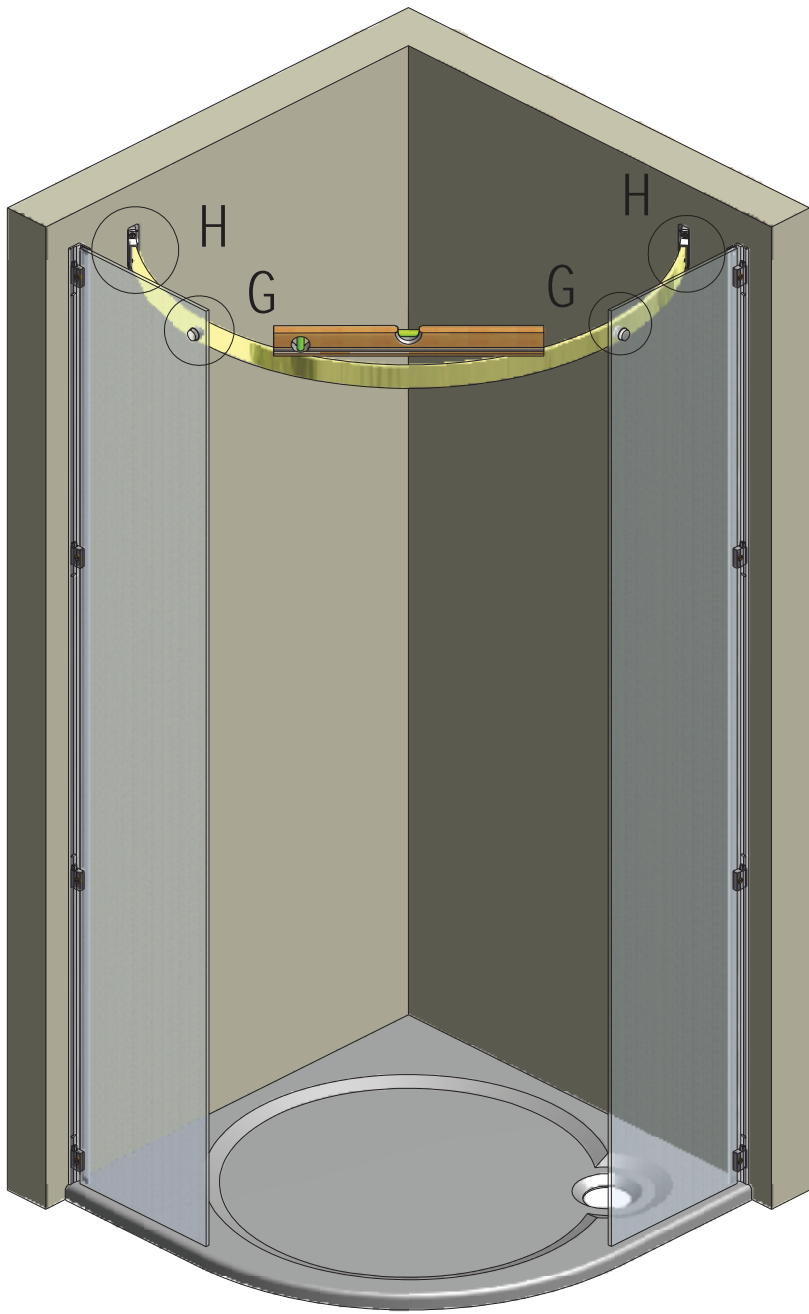


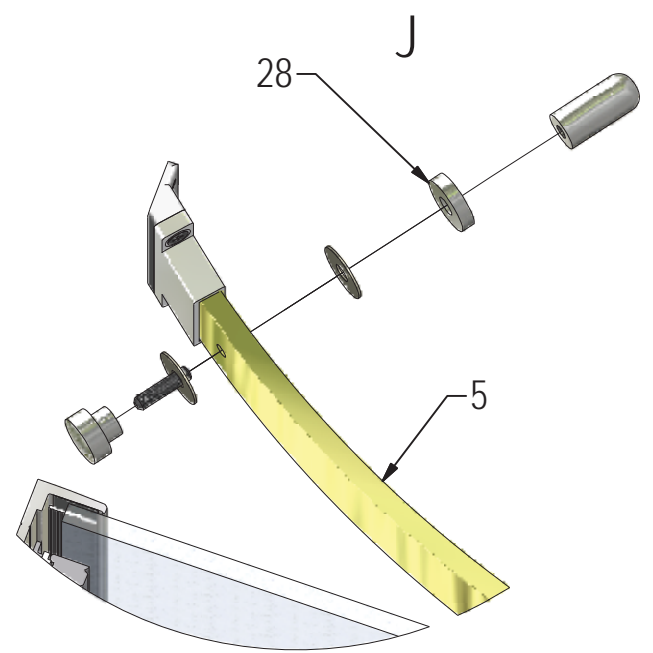
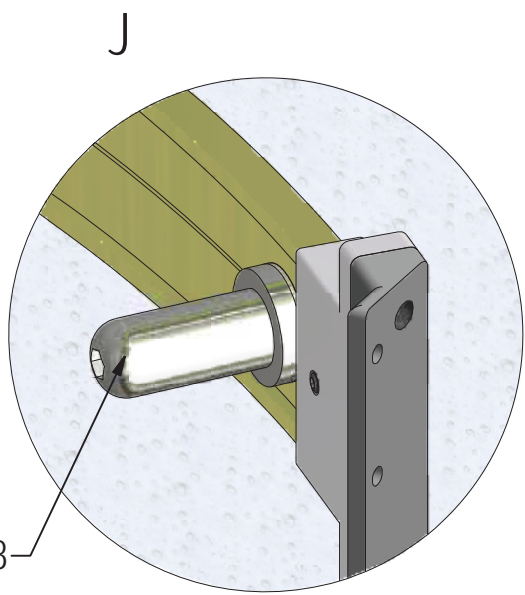
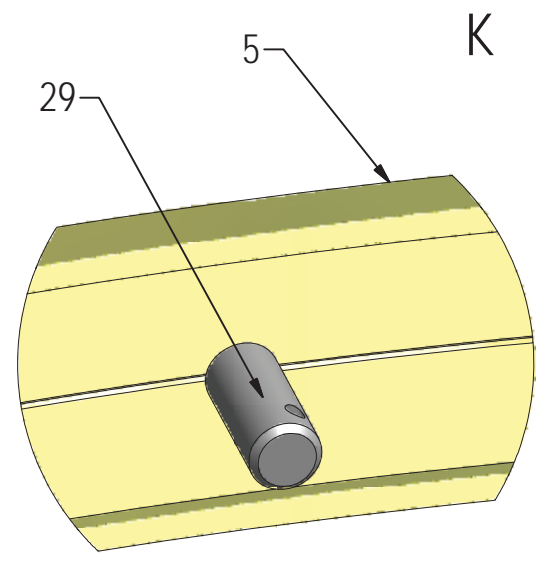
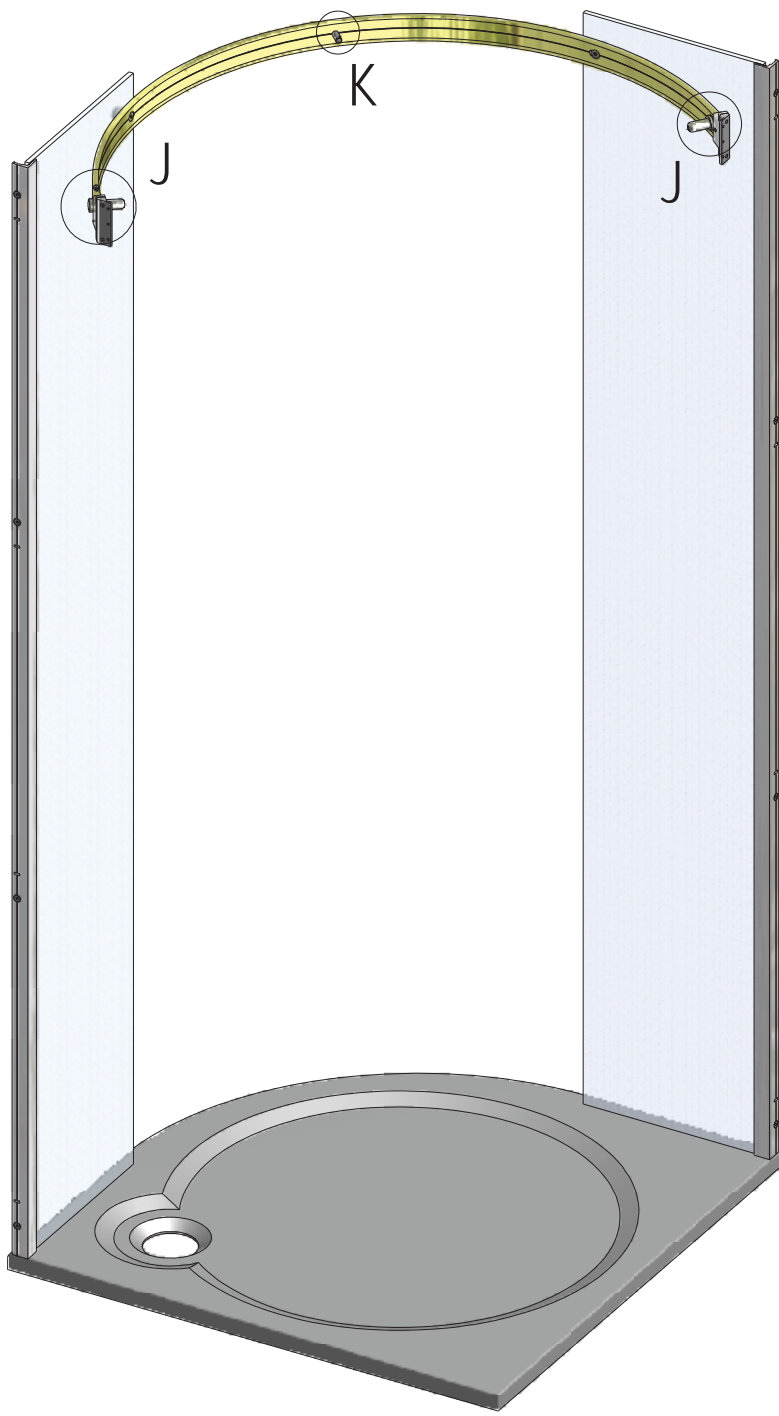
AMR2N	X (mm)		Y (mm)	
	MIN	MAX	MIN	MAX
900	866	876	885	895
1000	966	976	985	995

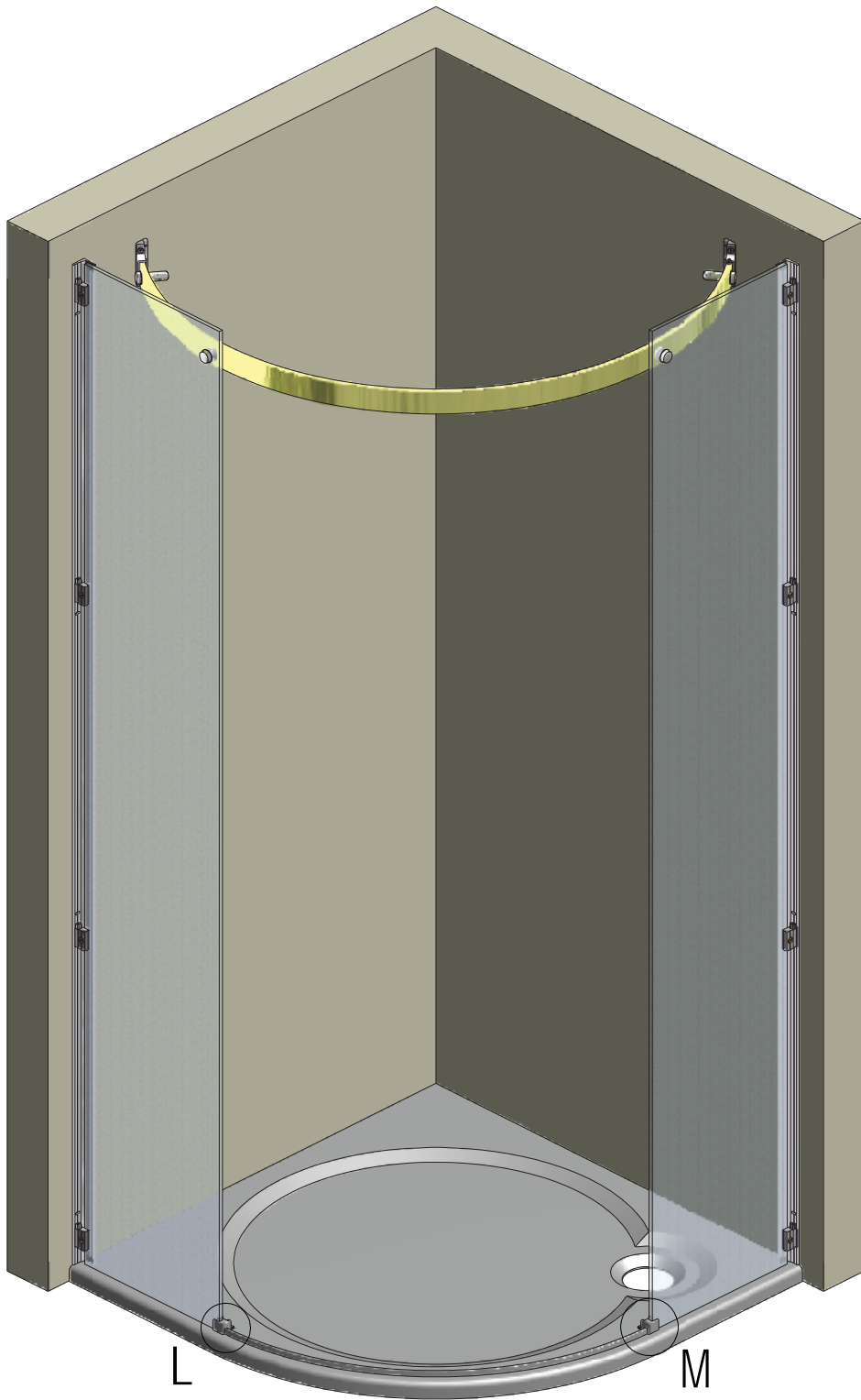




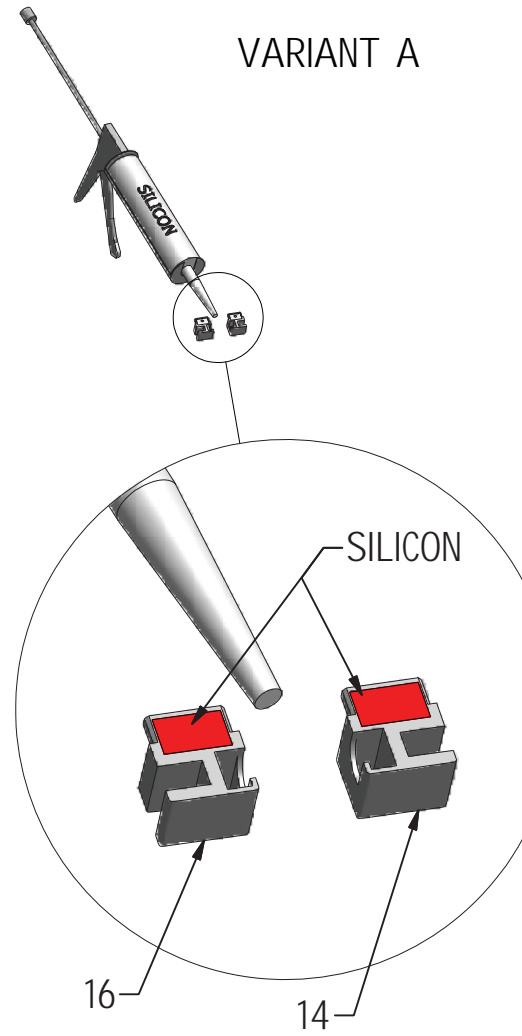




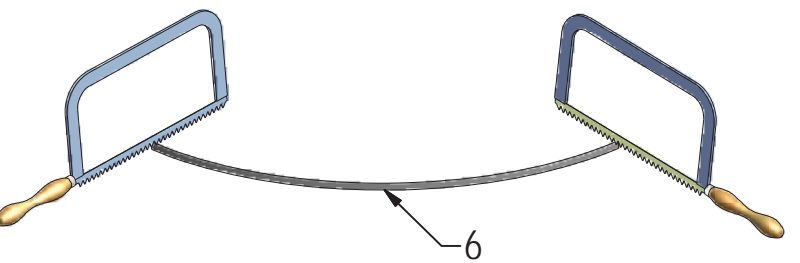
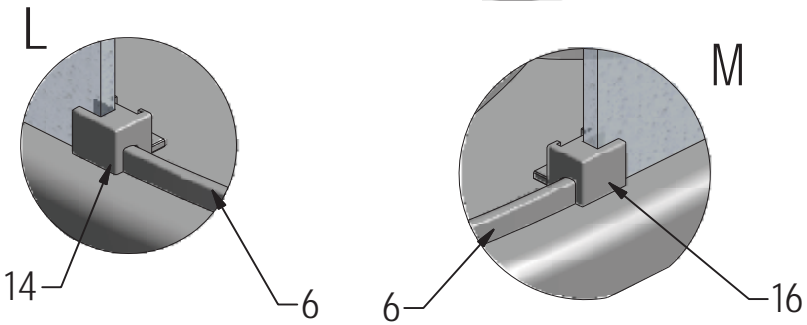
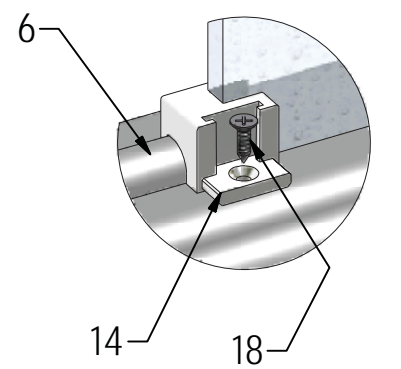
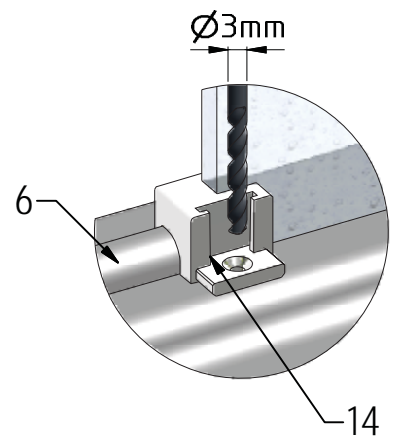


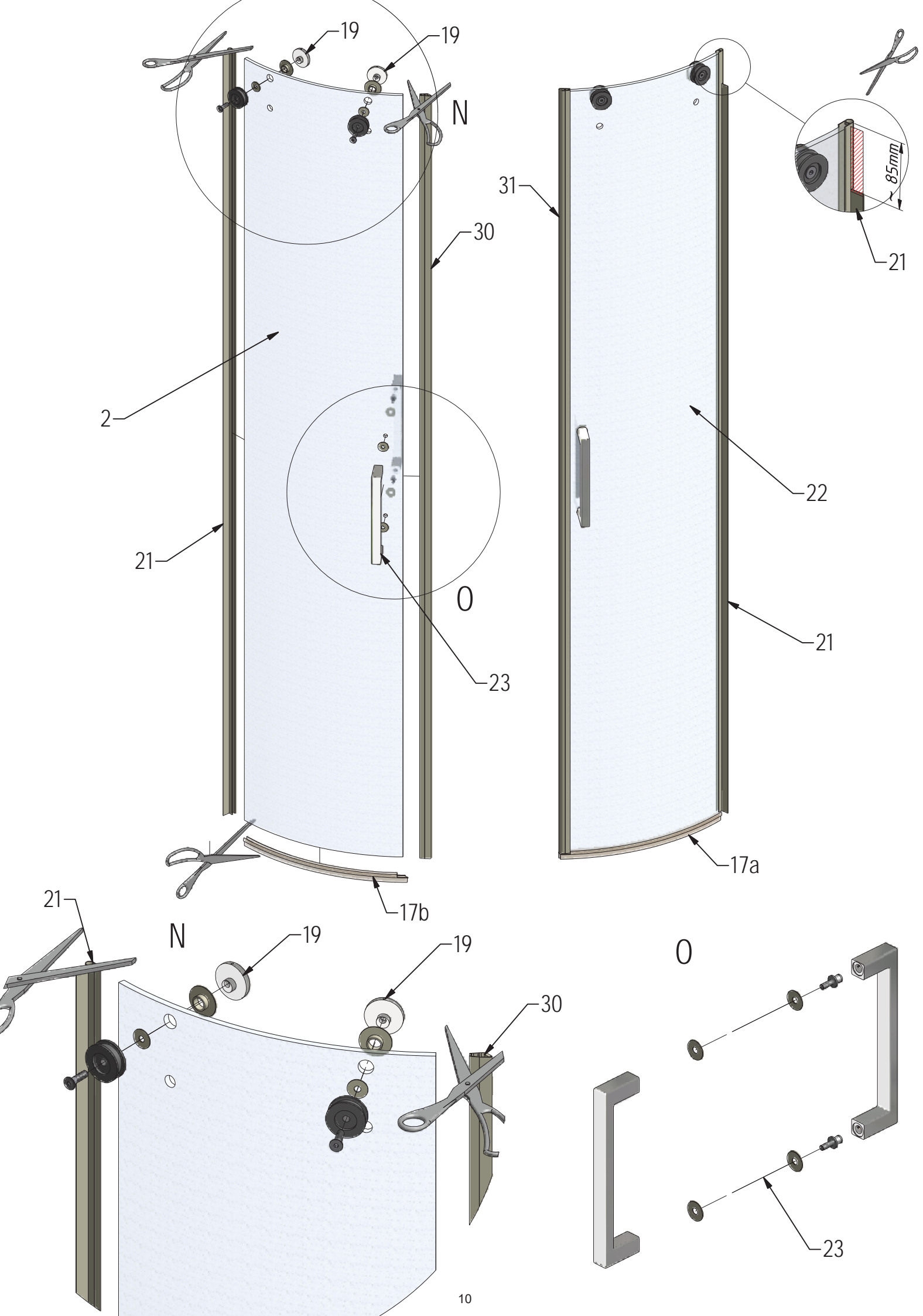


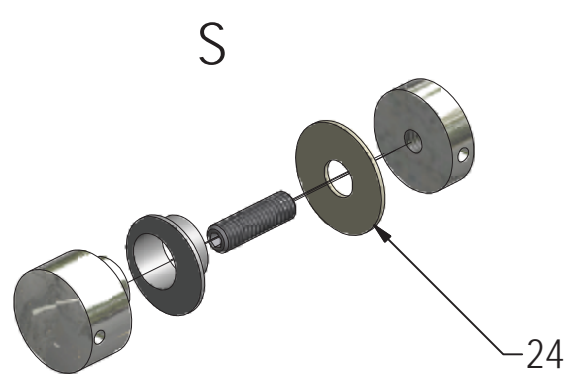
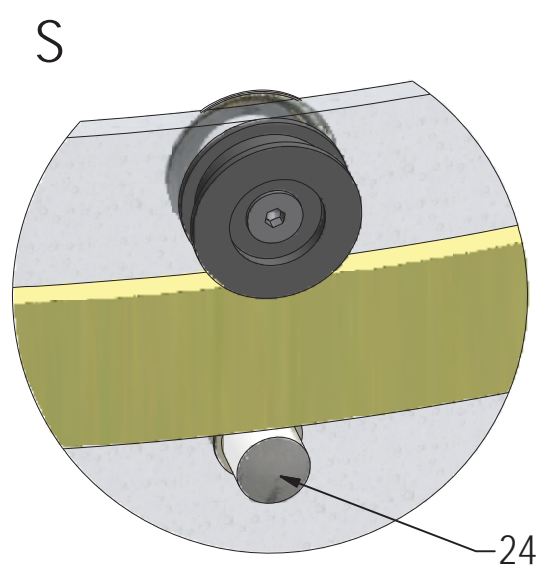
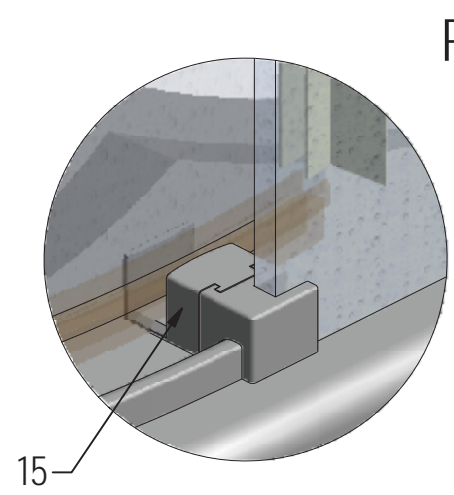
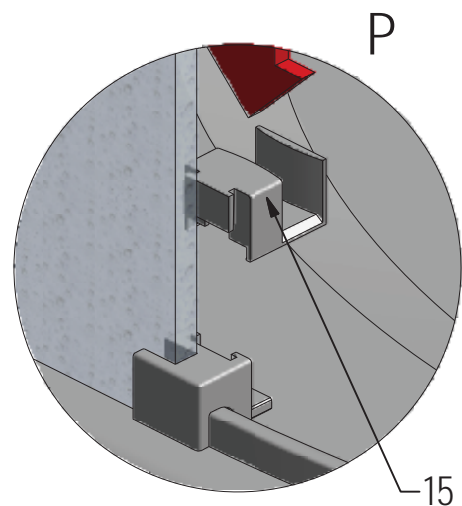
VARIANT A

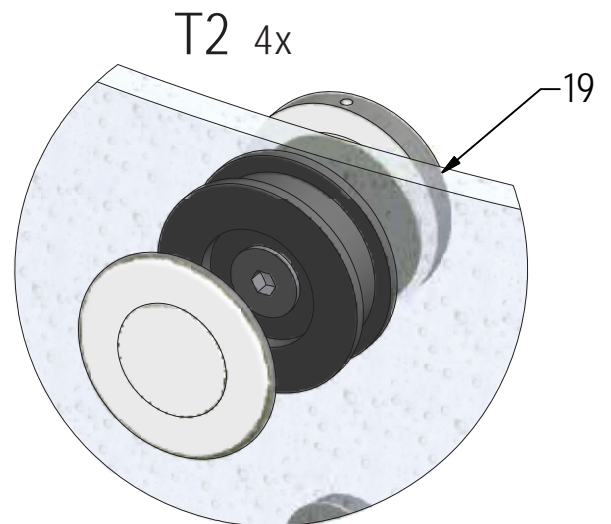
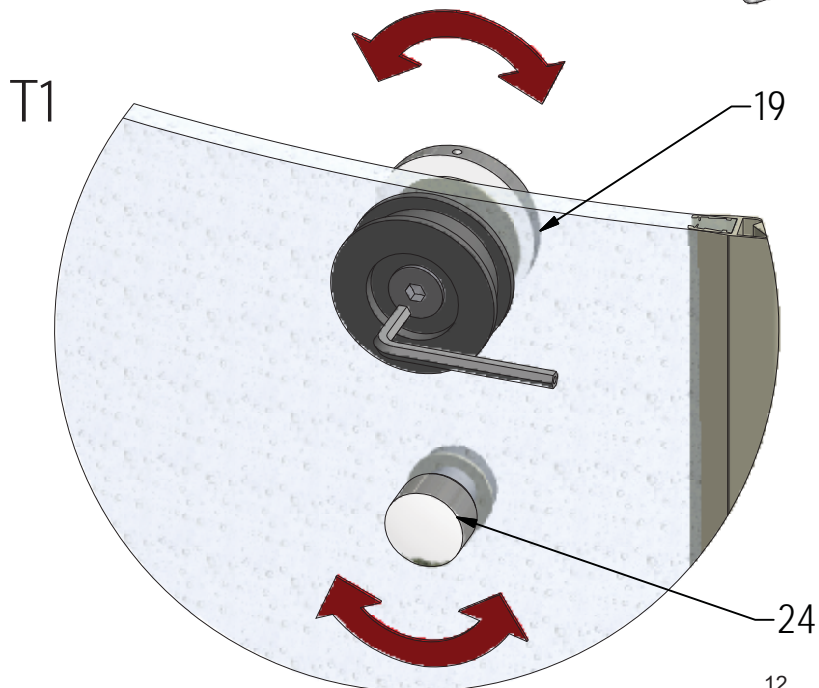
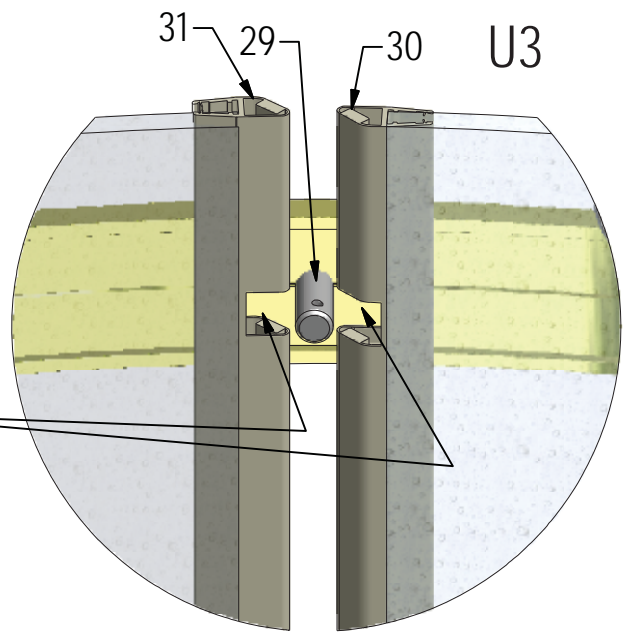
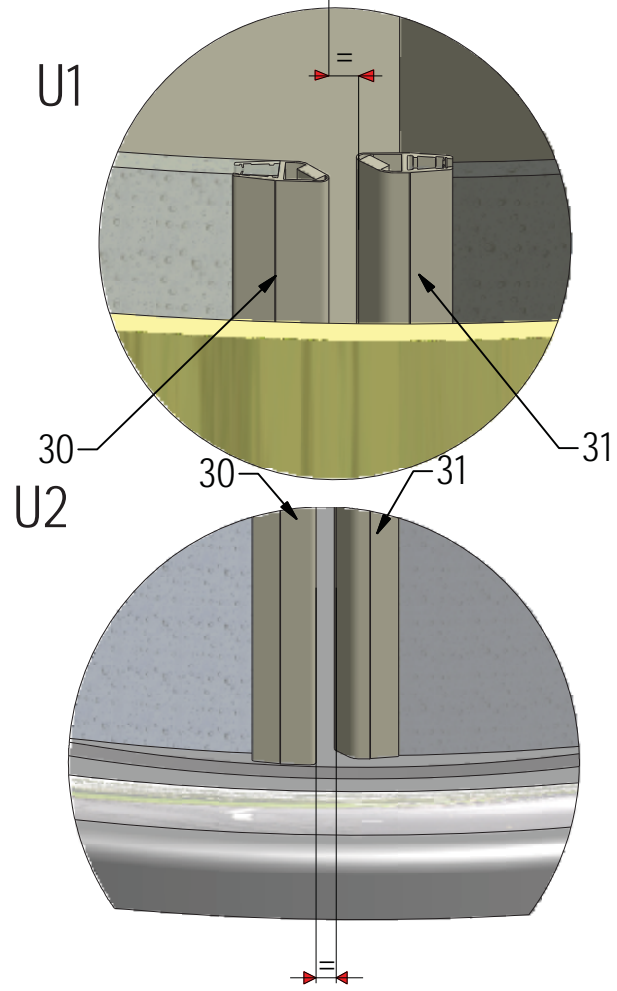


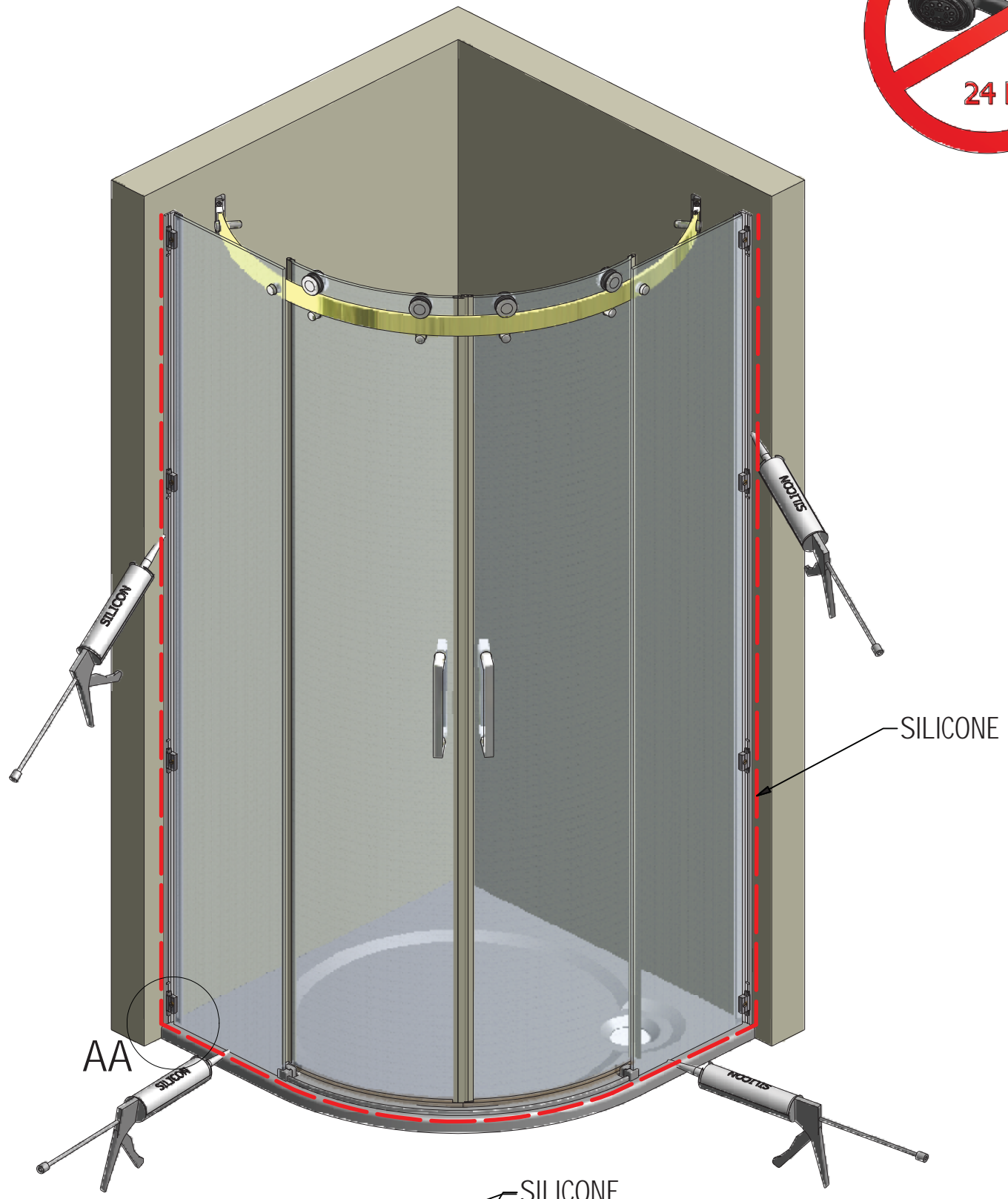
VARIANT B





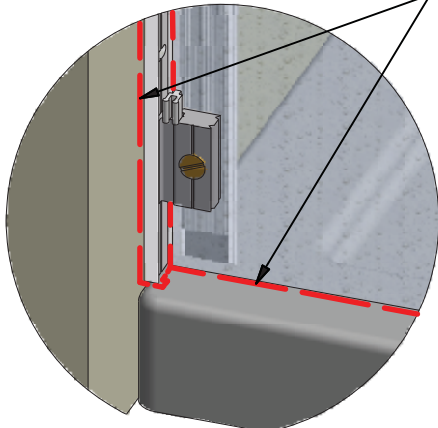






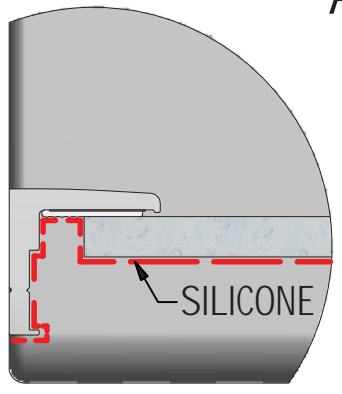
AA

AA

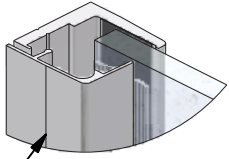
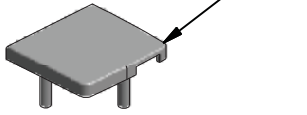


SILICONE

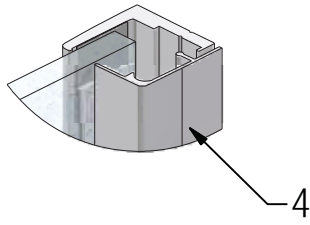
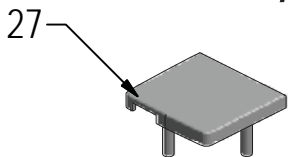
AA



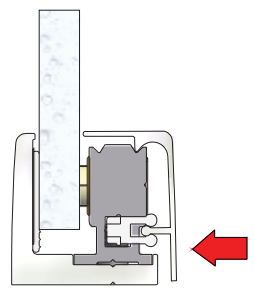
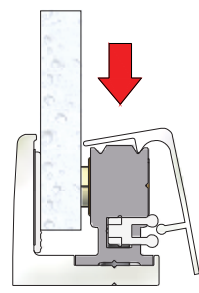
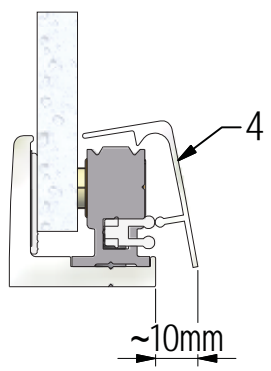
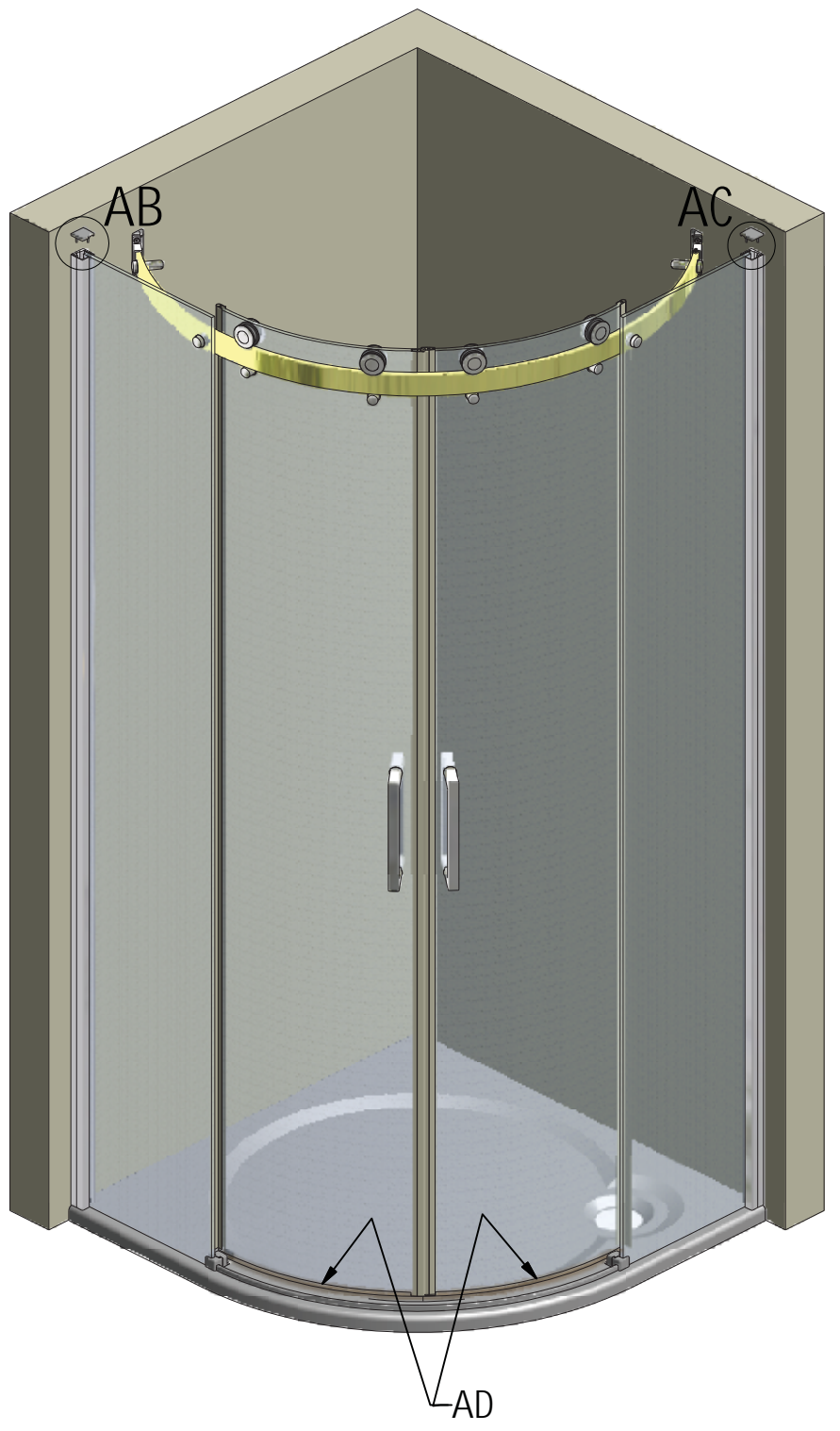
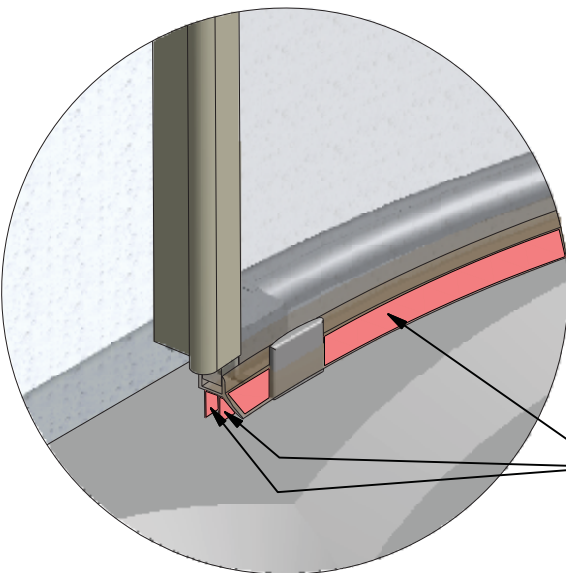
AB

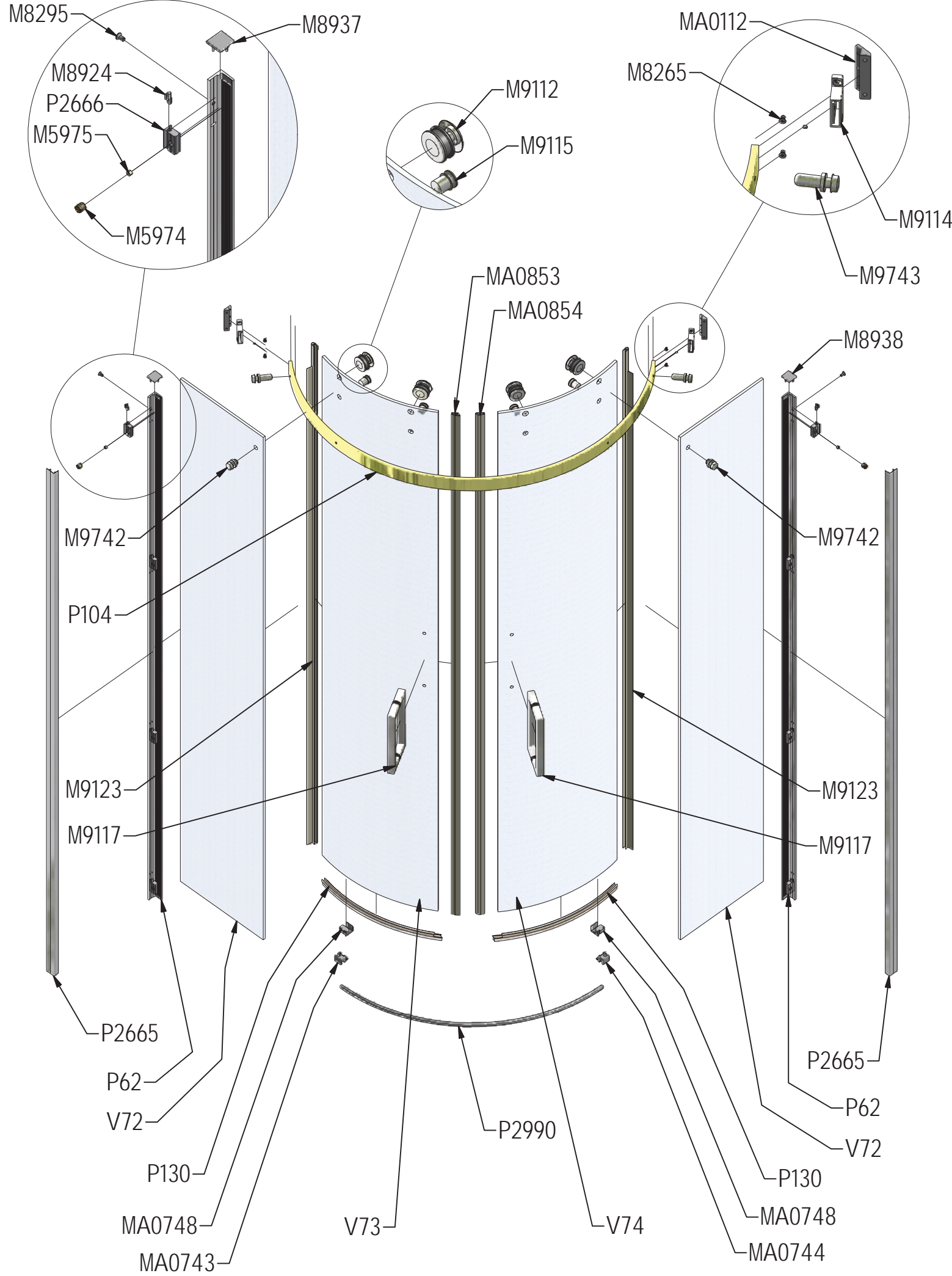


AC



AD





P62			ND01-2361-00
-----	--	--	--------------

P104	900		P2835
	1000		P2836

P130			ND01-2820
------	--	--	-----------

V72	900	clear glass	ND03-0441-00-02
	1000	clear glass	ND03-0442-00-02

V73	900;1000	clear glass	ND02-0616-00-02

V74	900;1000	clear glass	ND02-0617-00-02