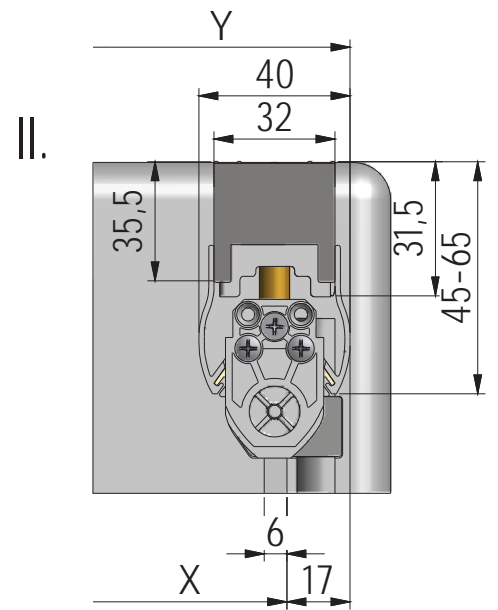
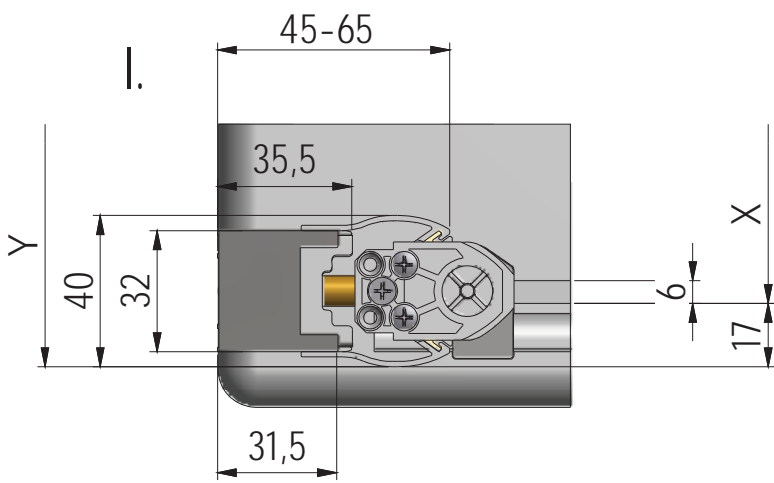
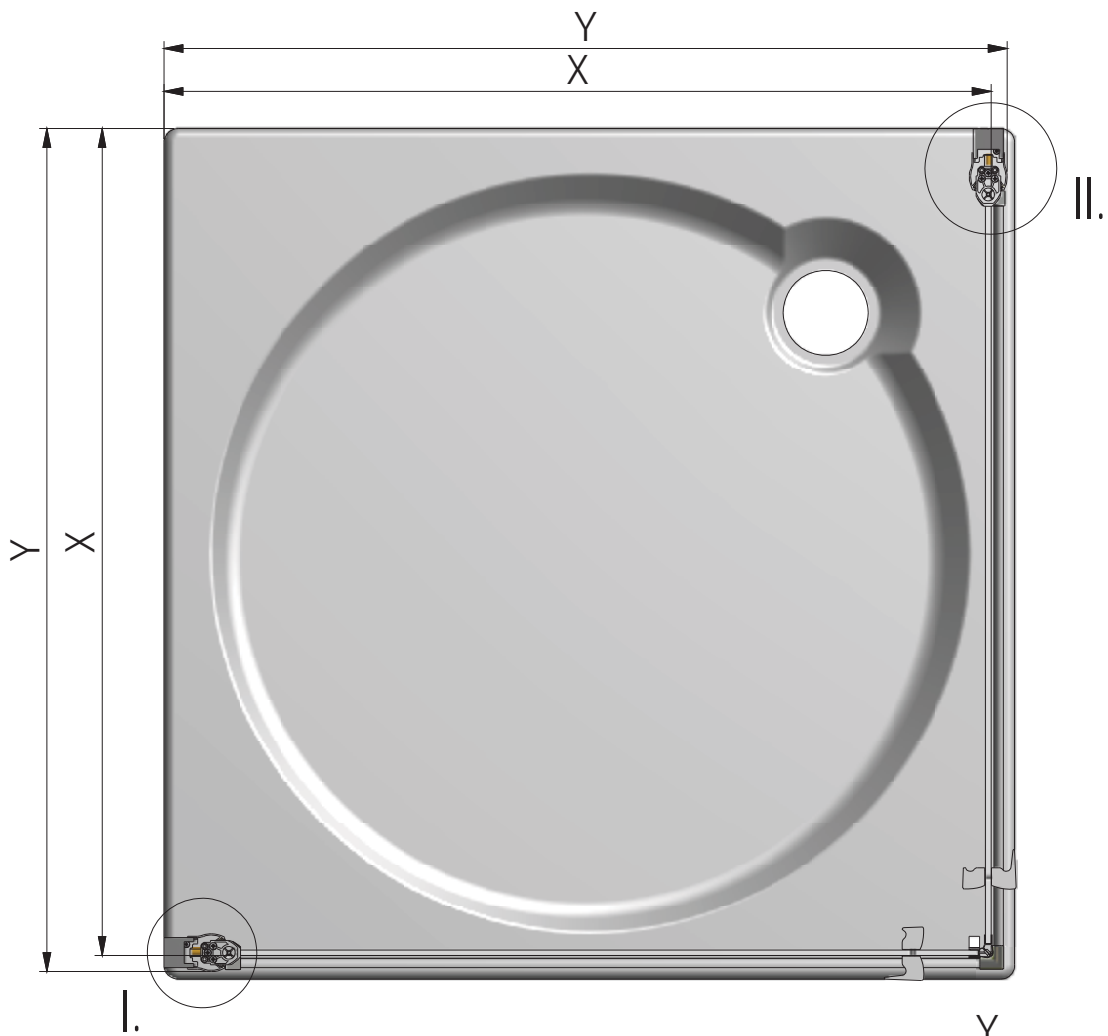


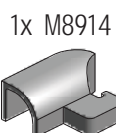
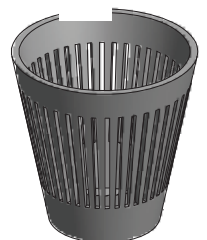
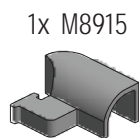
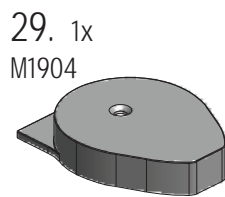
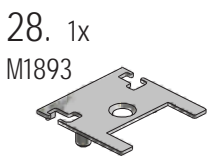
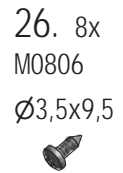
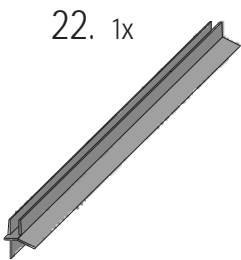
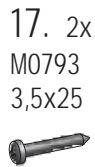
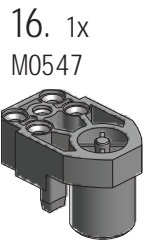
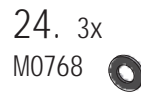
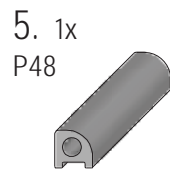
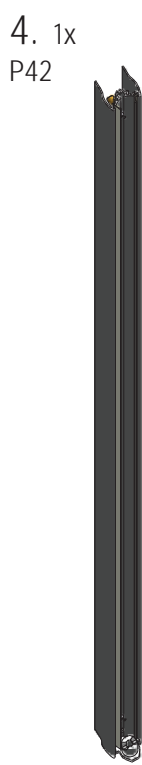
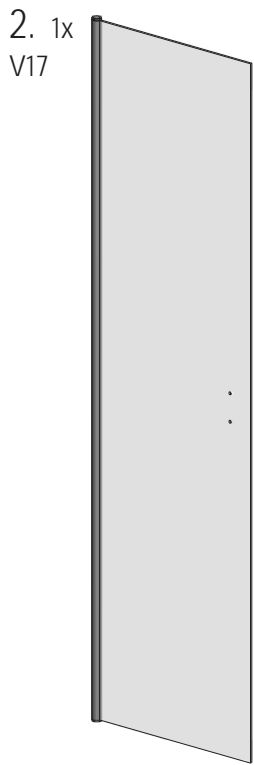
TCO1+TCO1

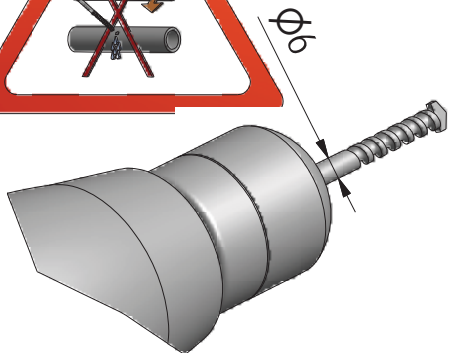
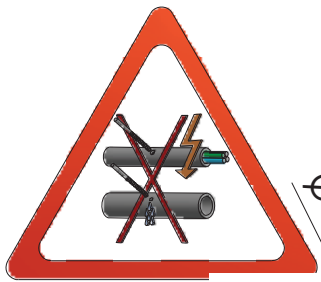
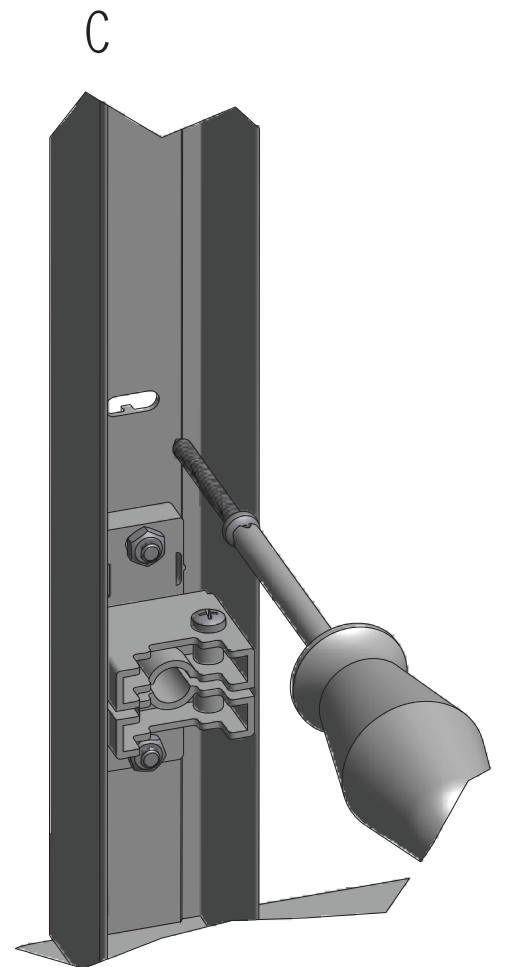
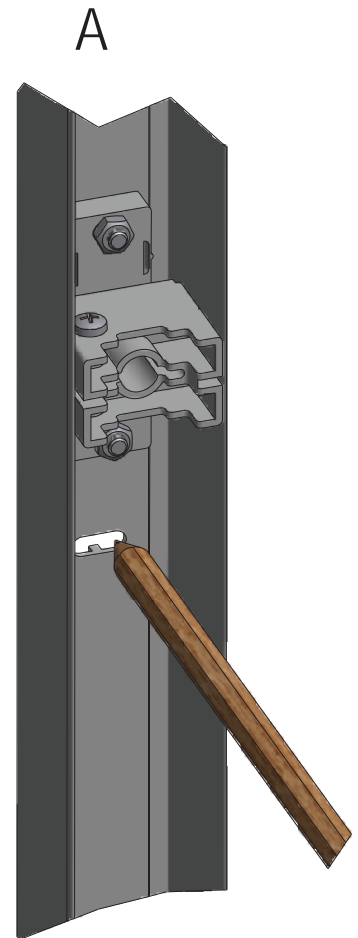
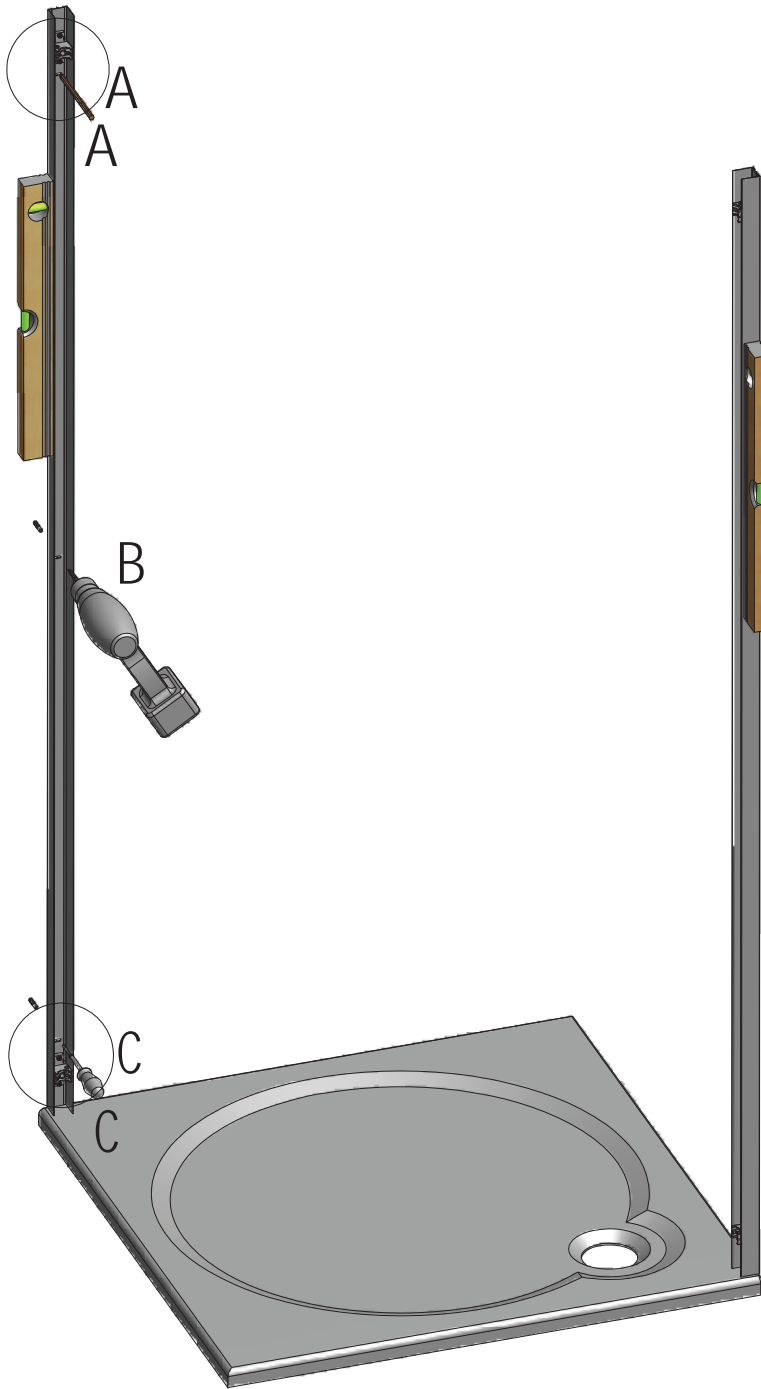


Roltechnik a.s.; Czech Republic, 56933 Třebařov 160,
tel.:+420 461 324 301/302, fax: +420 461 324 297,
<http://www.roltechnik.com>; e-mail: objednavky@roltechnik.cz

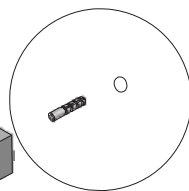


TC01	X (mm)		Y (mm)	
	MIN	MAX	MIN	MAX
800	755	775	772	792
900	855	875	872	892
1000	955	975	972	992
1100	1055	1075	1072	1092
1200	1155	1175	1172	1192

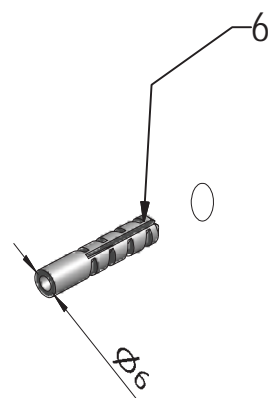


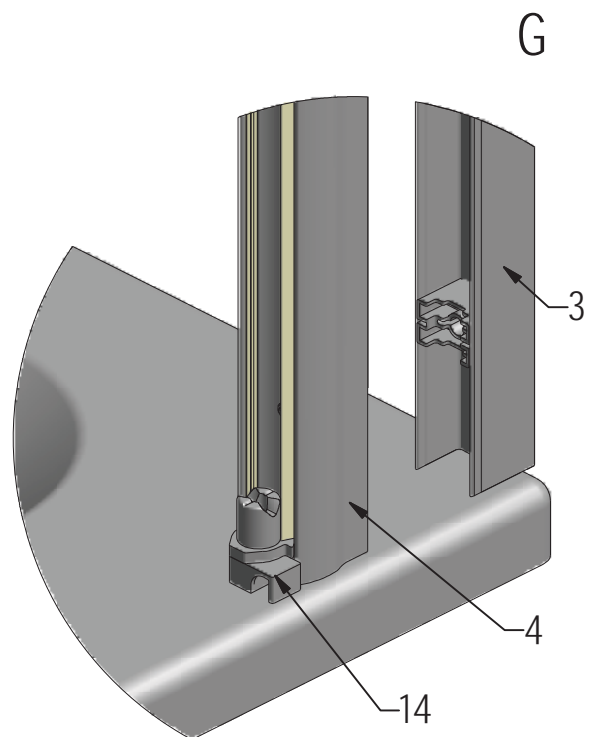
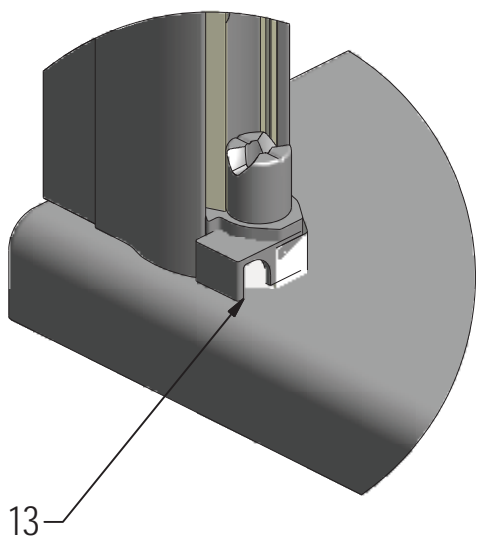
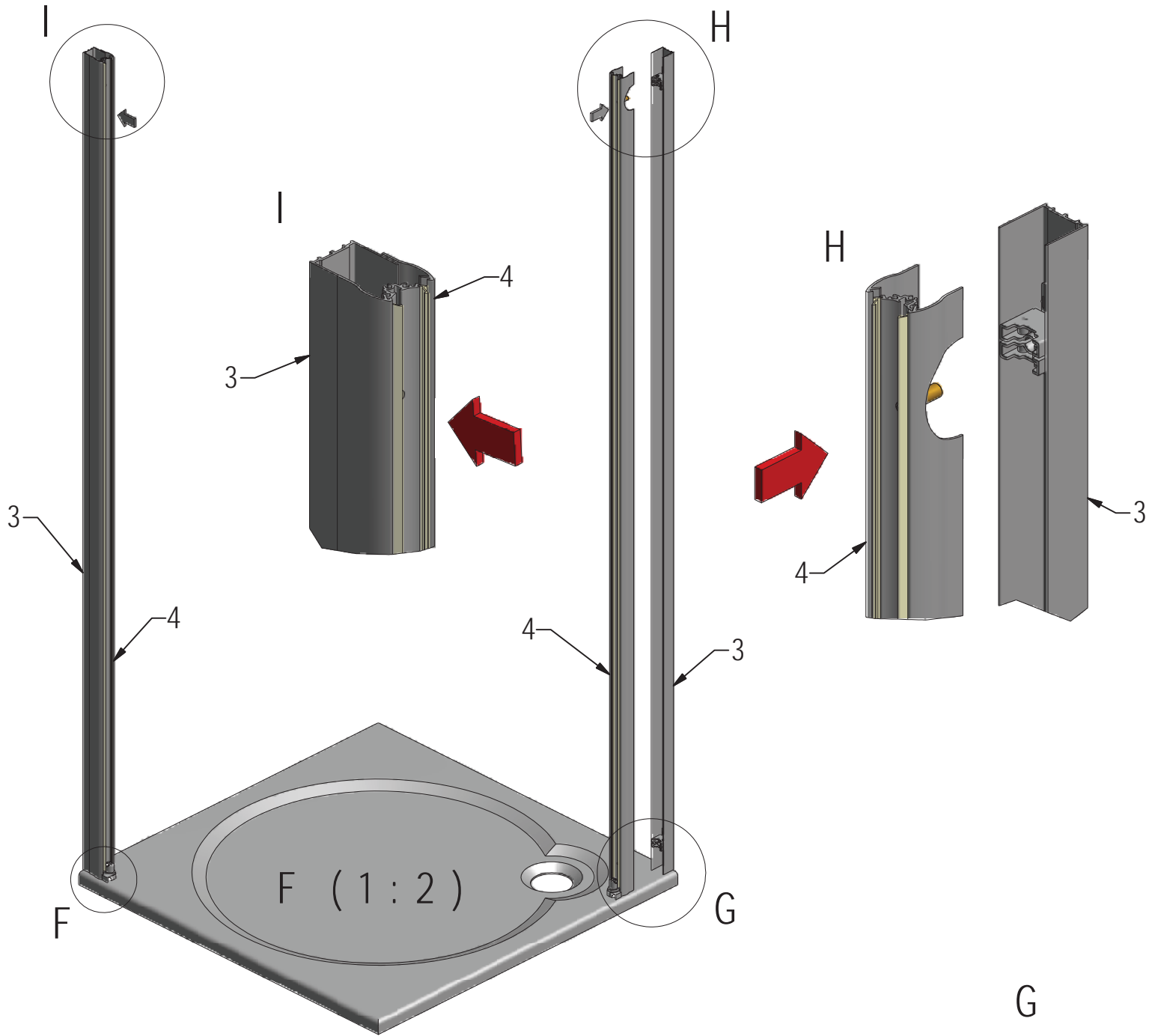


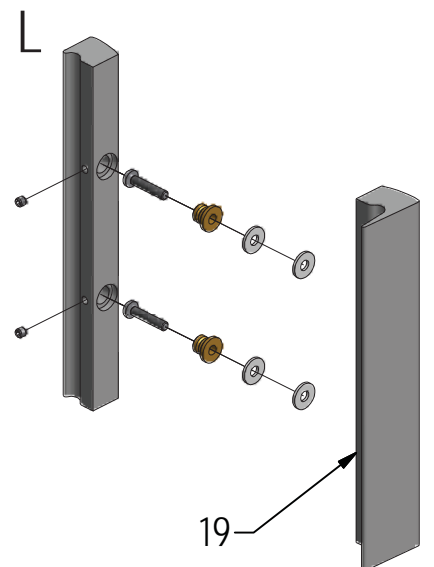
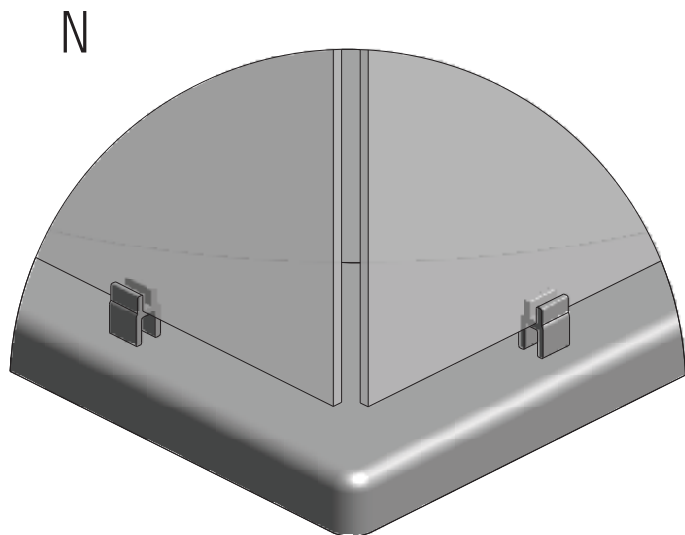
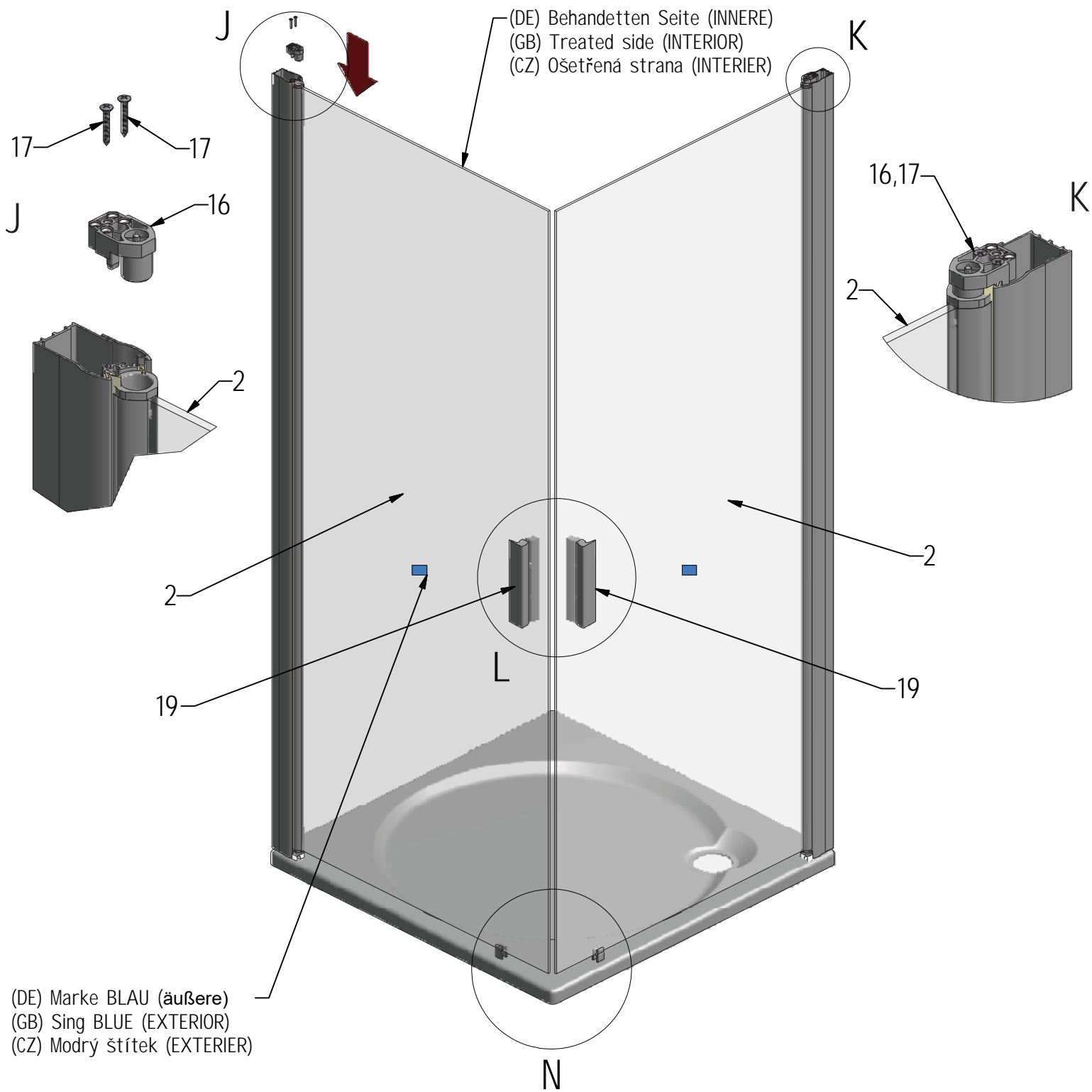
B1

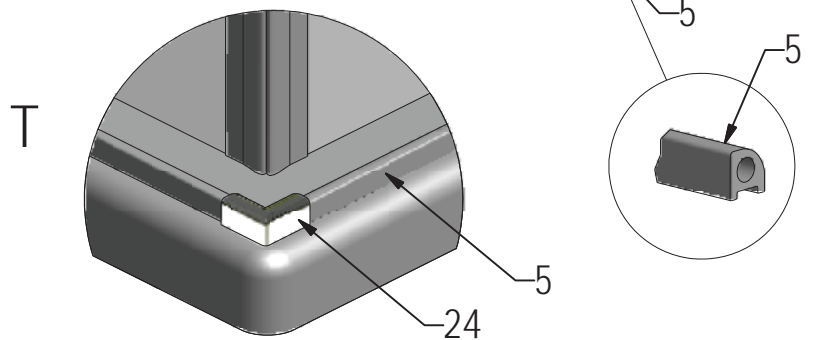
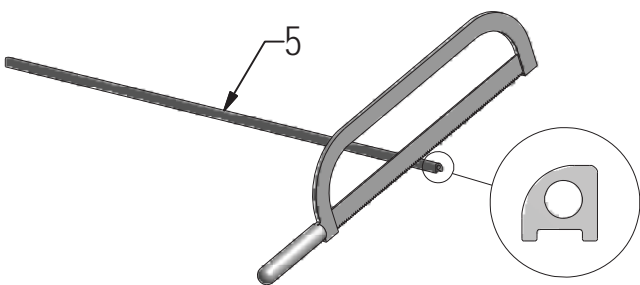
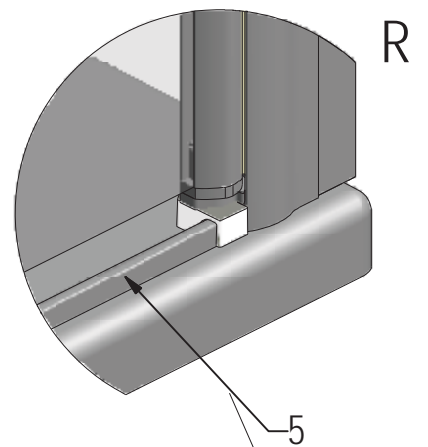
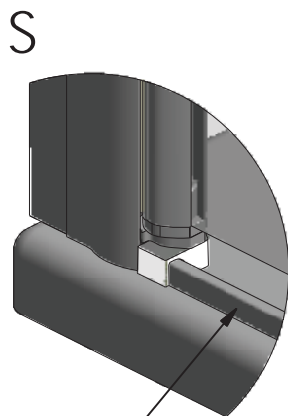
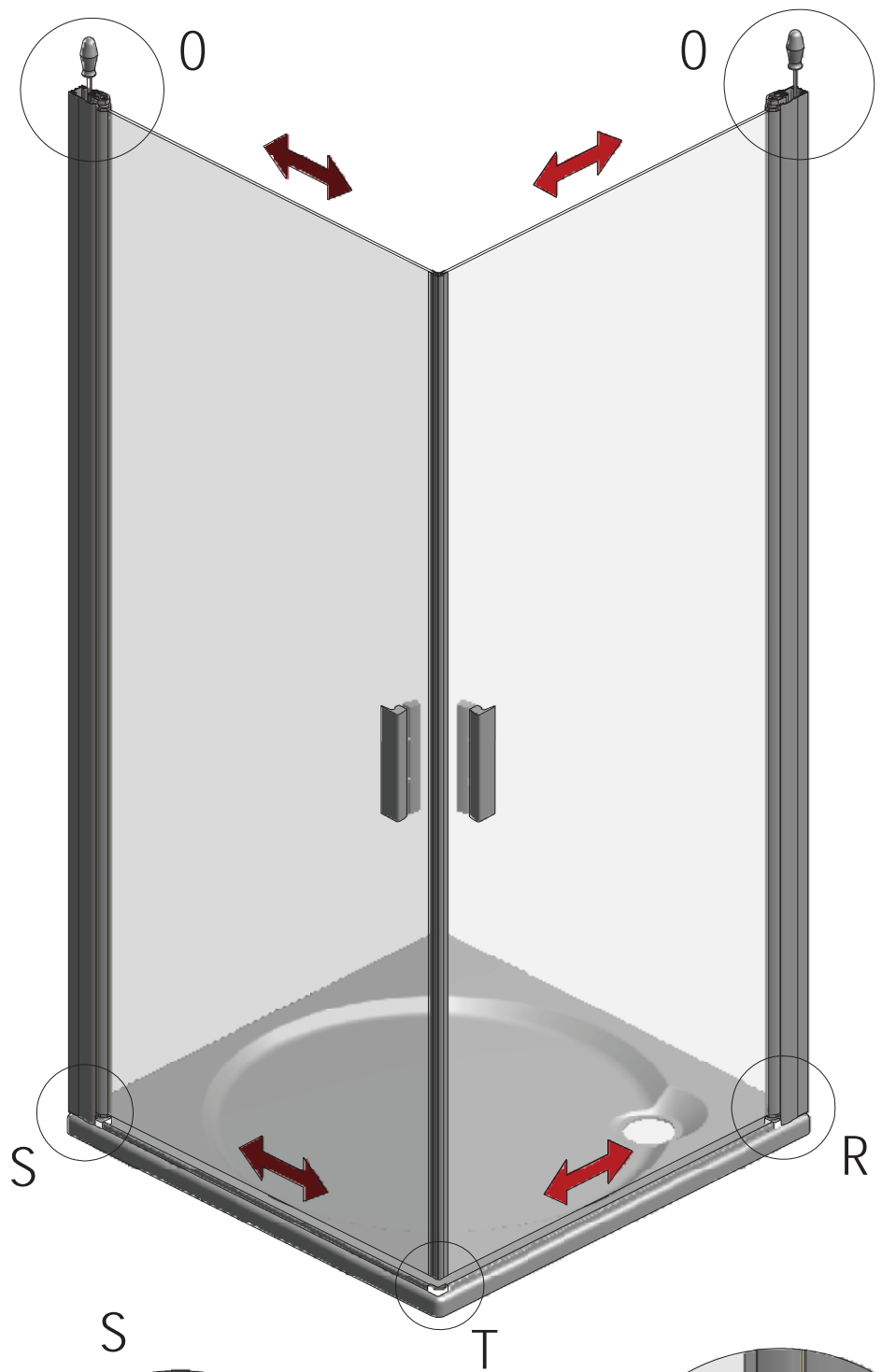
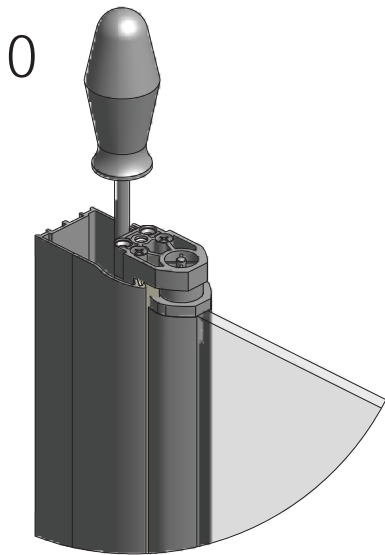
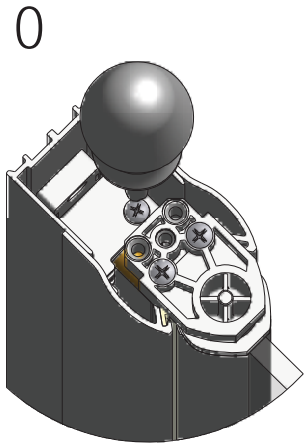


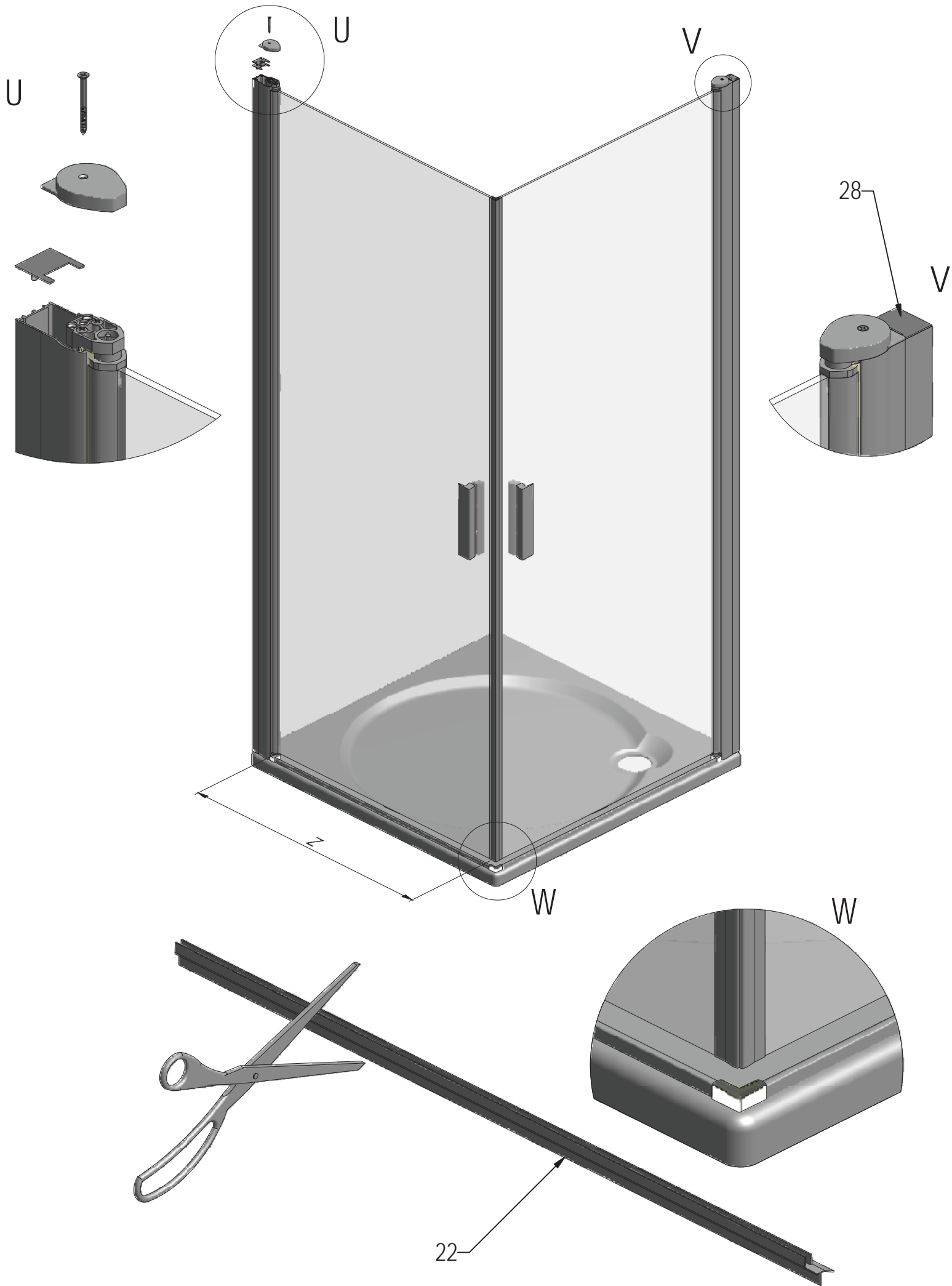
B2

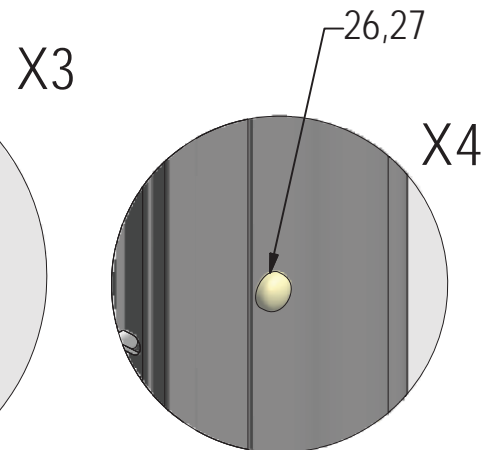
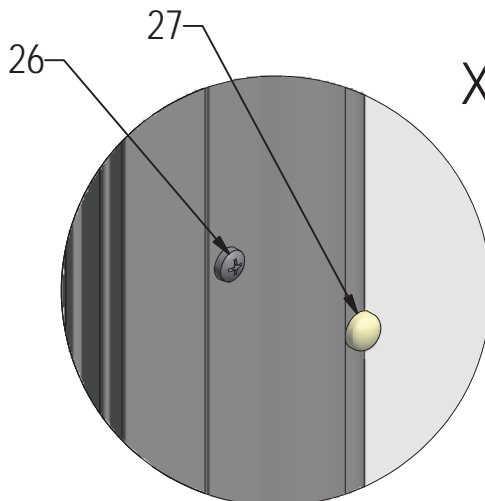
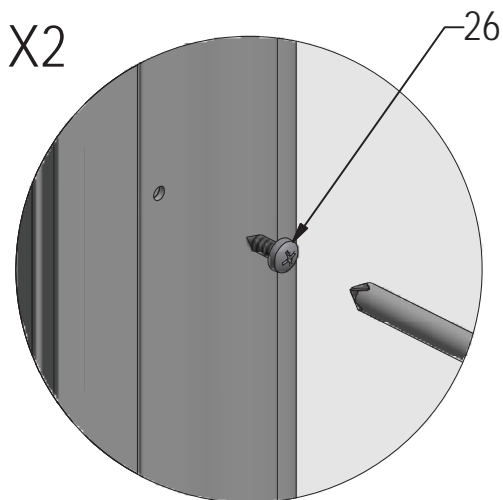
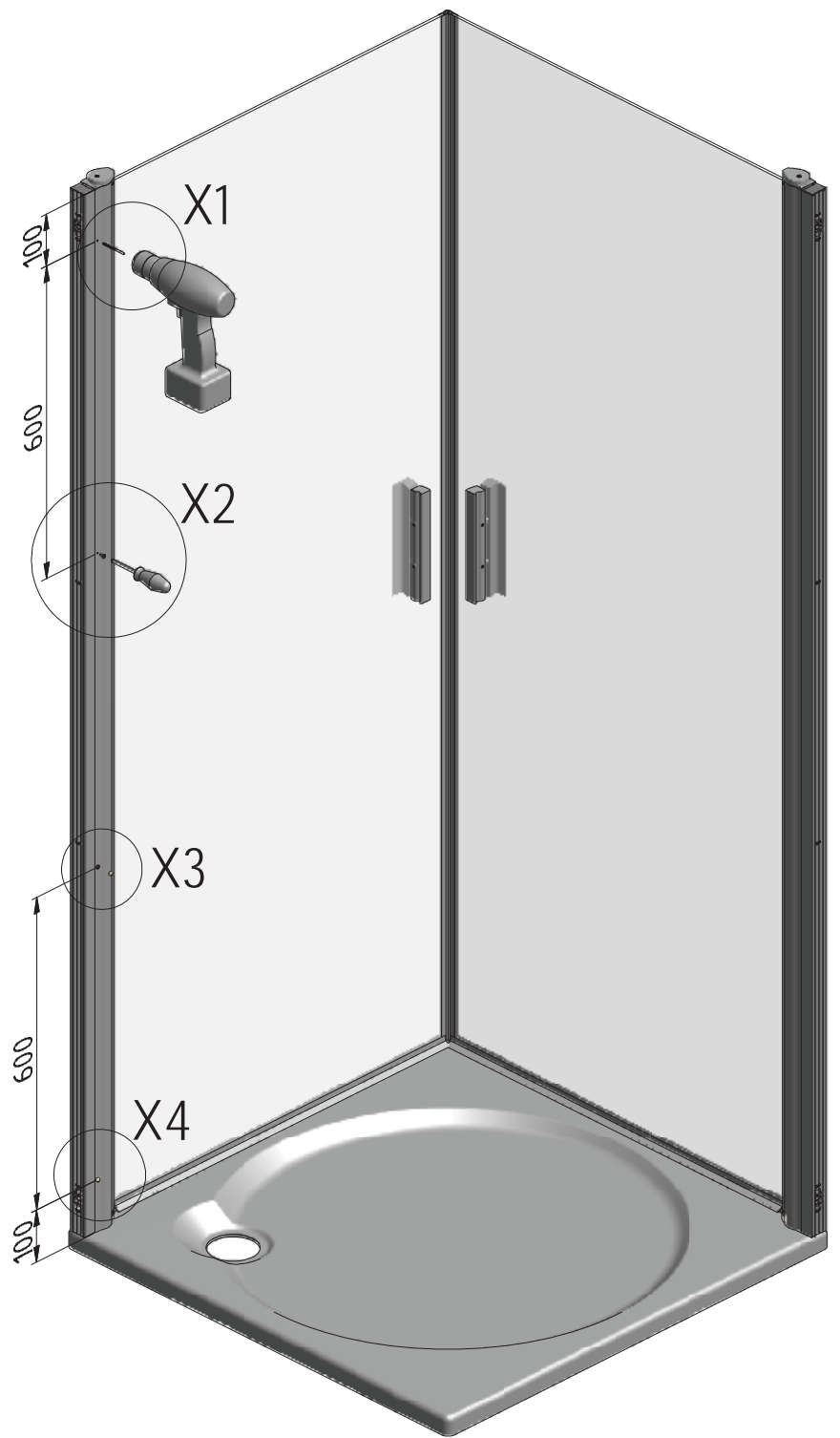
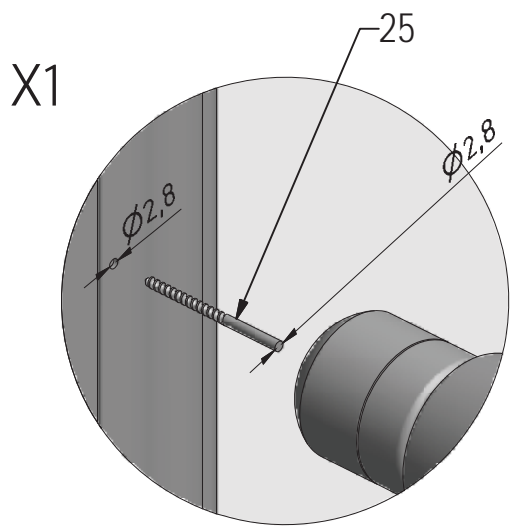
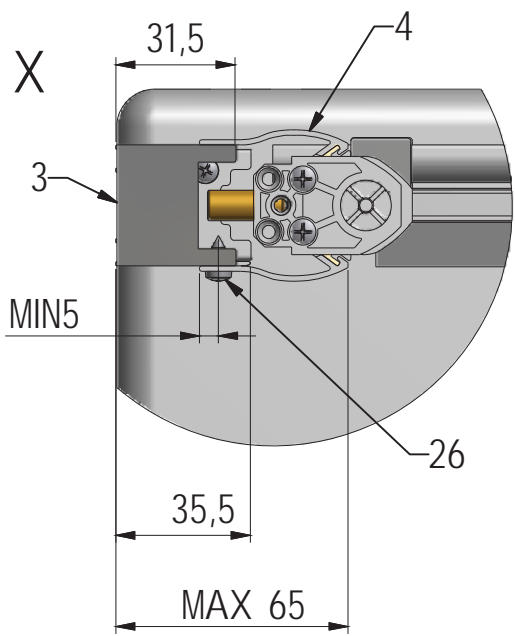


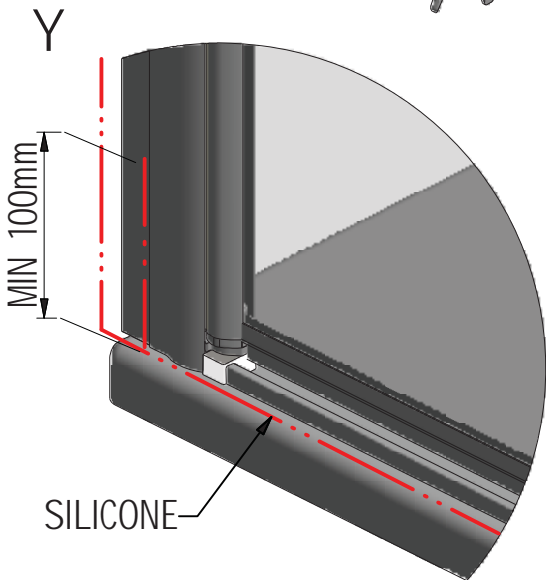
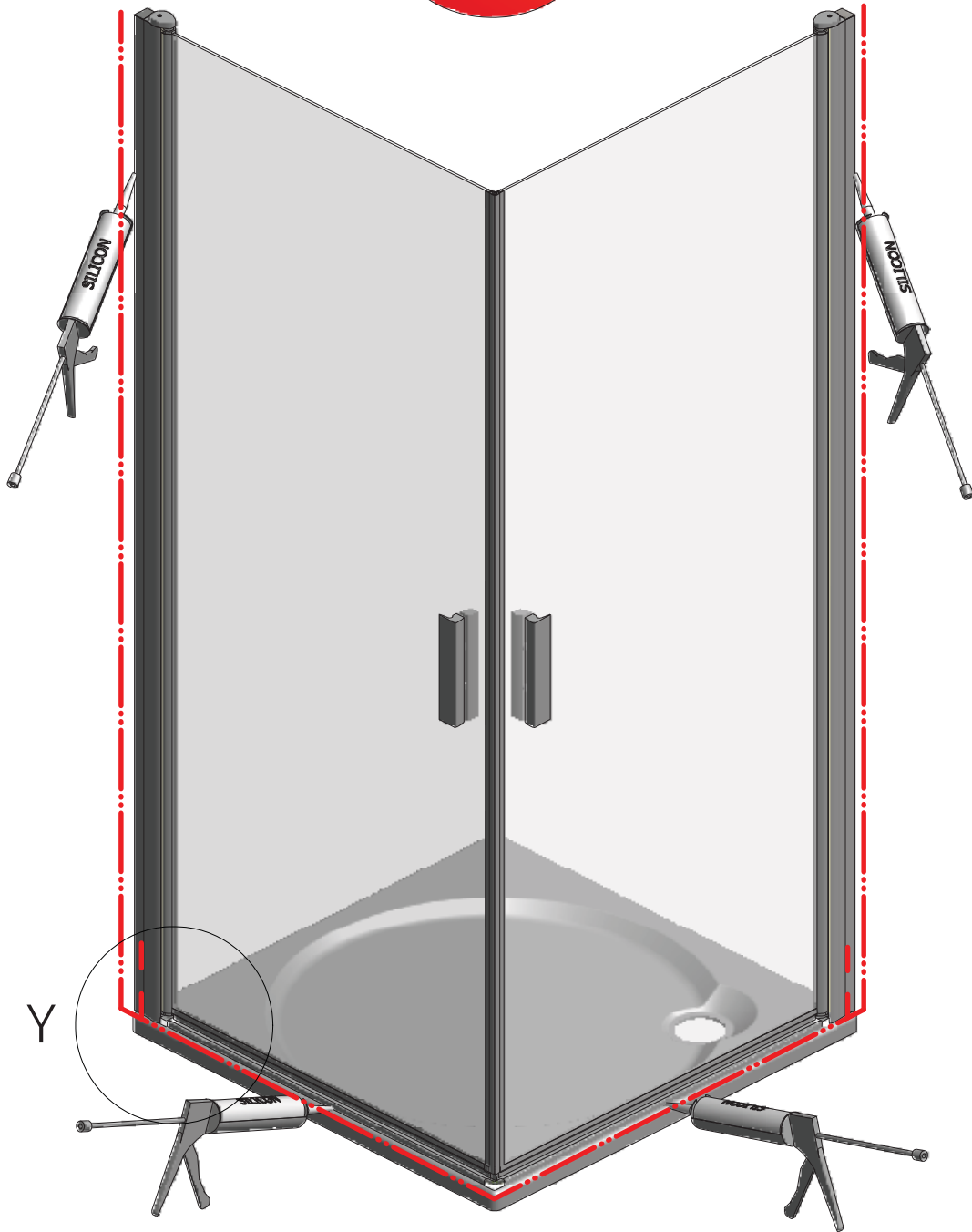




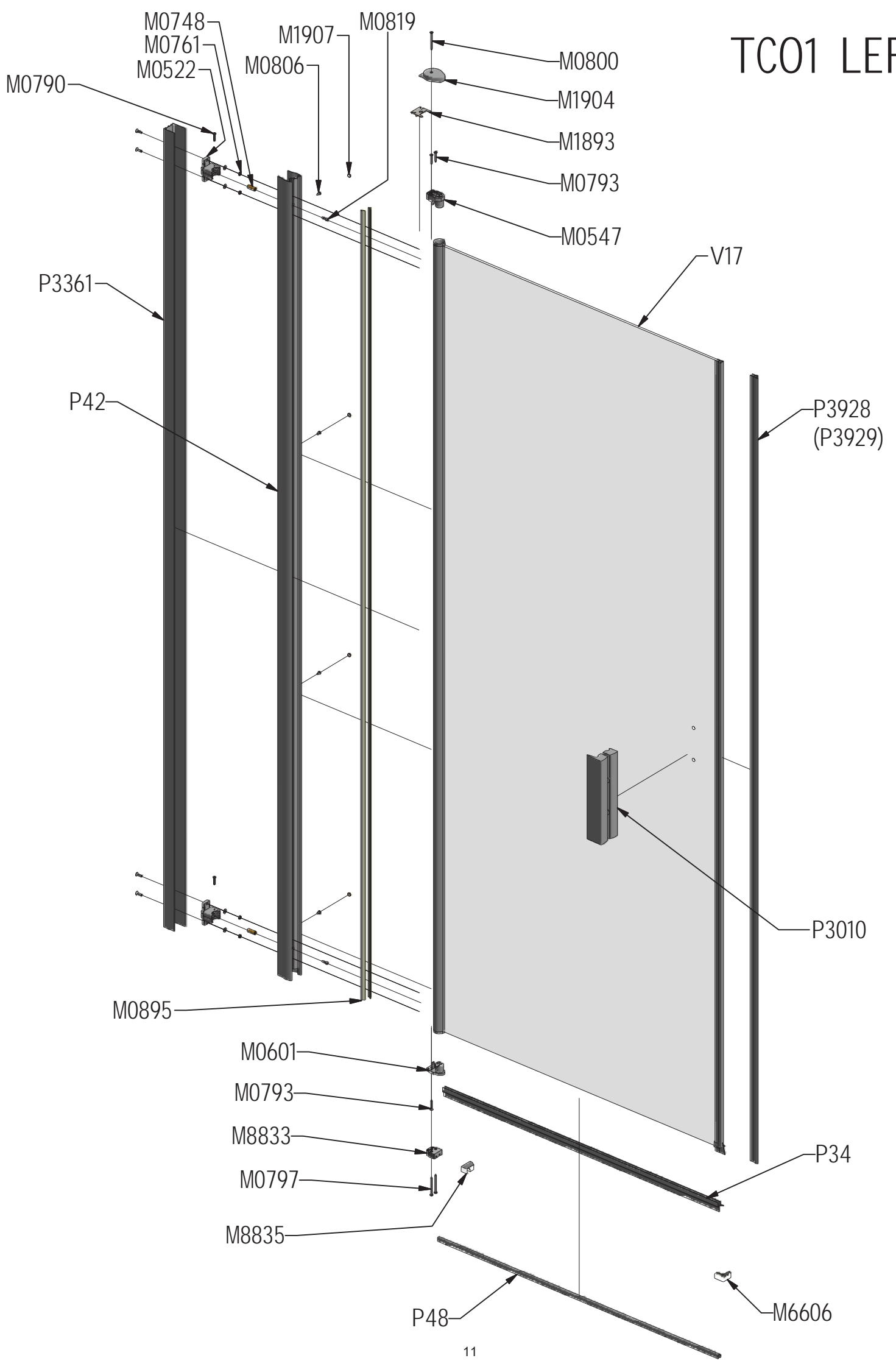




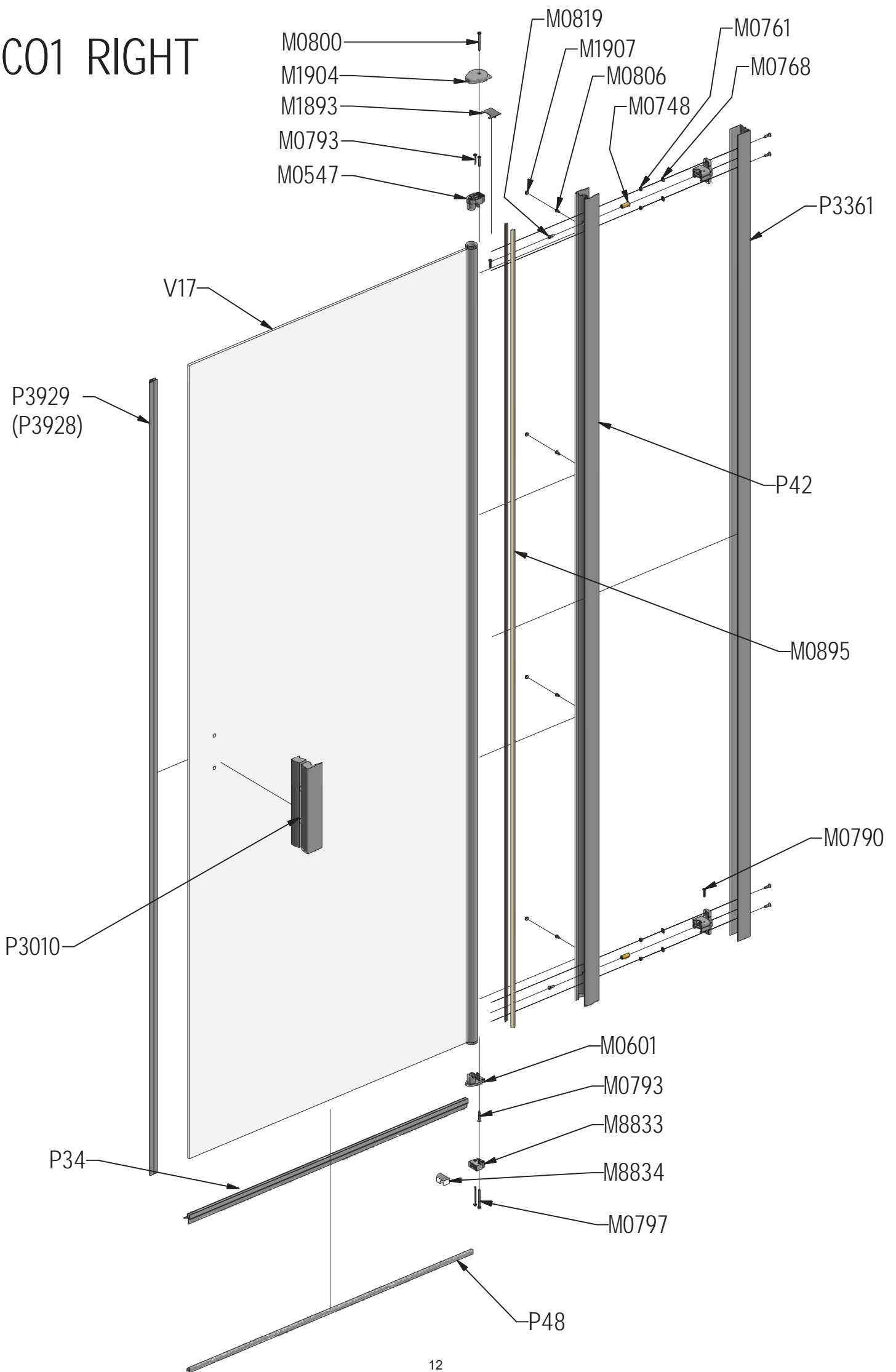




TC01 LEFT



TC01 RIGHT



P34				ND01-2420
P42		brillant		P1963
		elox		P1962
P48	800			ND01-2236-8
	900			ND01-2236-9
	1000			ND01-2236-1
P239		brillant		P3361
		stříbro		P3927

V17	800	brillant+clear glass	brillant+čiré sklo	ND02-0511-00-02
		brillant+intima glass	brillant+intima	ND02-0511-00-20
		elox+clear glass	elox+čiré sklo	ND02-0511-01-02
		elox+intima glass	elox+intima	ND02-0511-01-20
	900	brillant+clear glass	brillant+čiré sklo	ND02-0512-00-02
		brillant+intima glass	brillant+intima	ND02-0512-00-20
		elox+clear glass	elox+čiré sklo	ND02-0512-01-02
		elox+intima glass	elox+intima	ND02-0512-01-20
	1000	brillant+clear glass	brillant+čiré sklo	ND02-0513-00-02
		brillant+intima glass	brillant+intima	ND02-0513-00-20
		elox+clear glass	elox+čiré sklo	ND02-0513-01-02
		elox+intima glass	elox+intima	ND02-0513-01-20