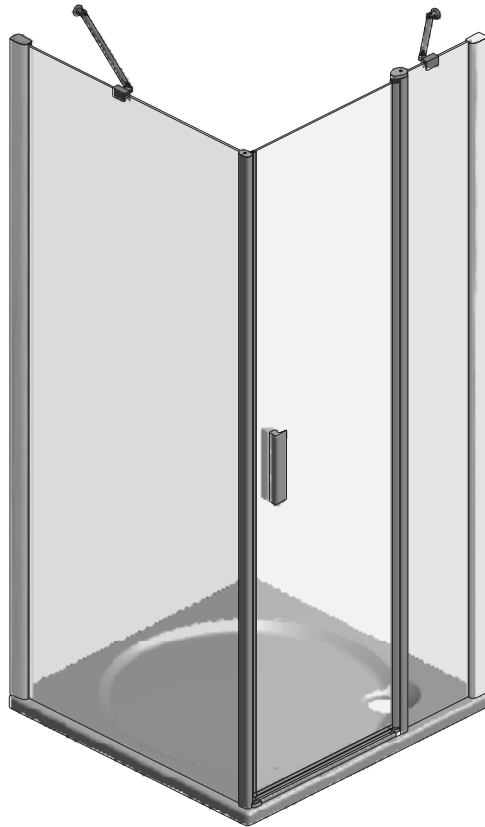


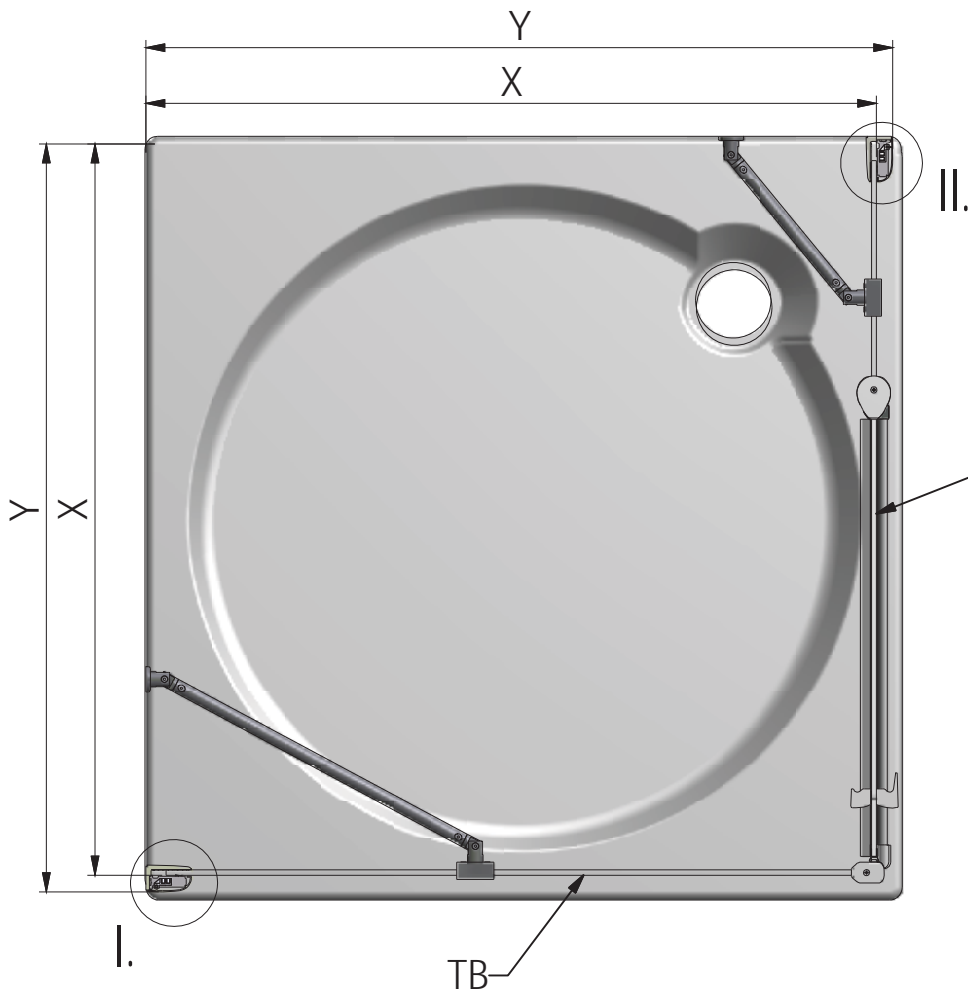
TB+TDO1



TB+TCO1

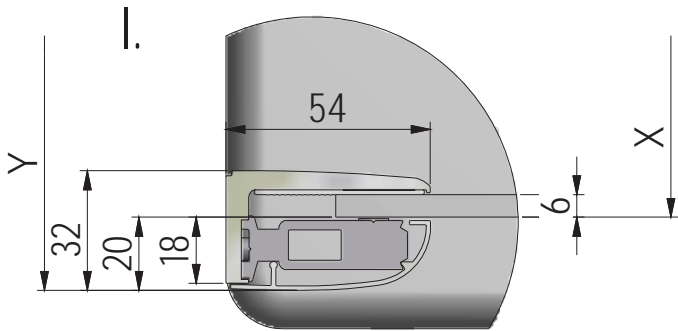
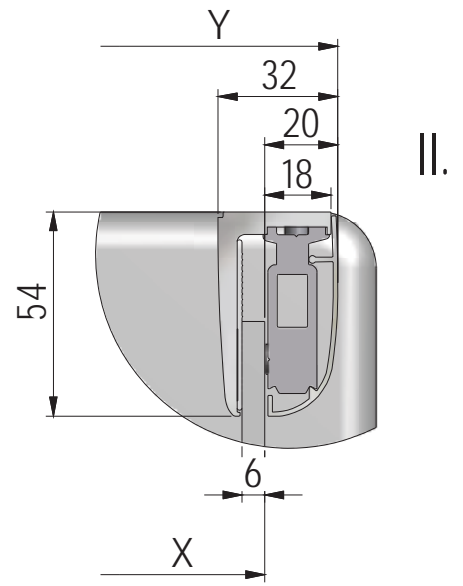


TB+TDO1



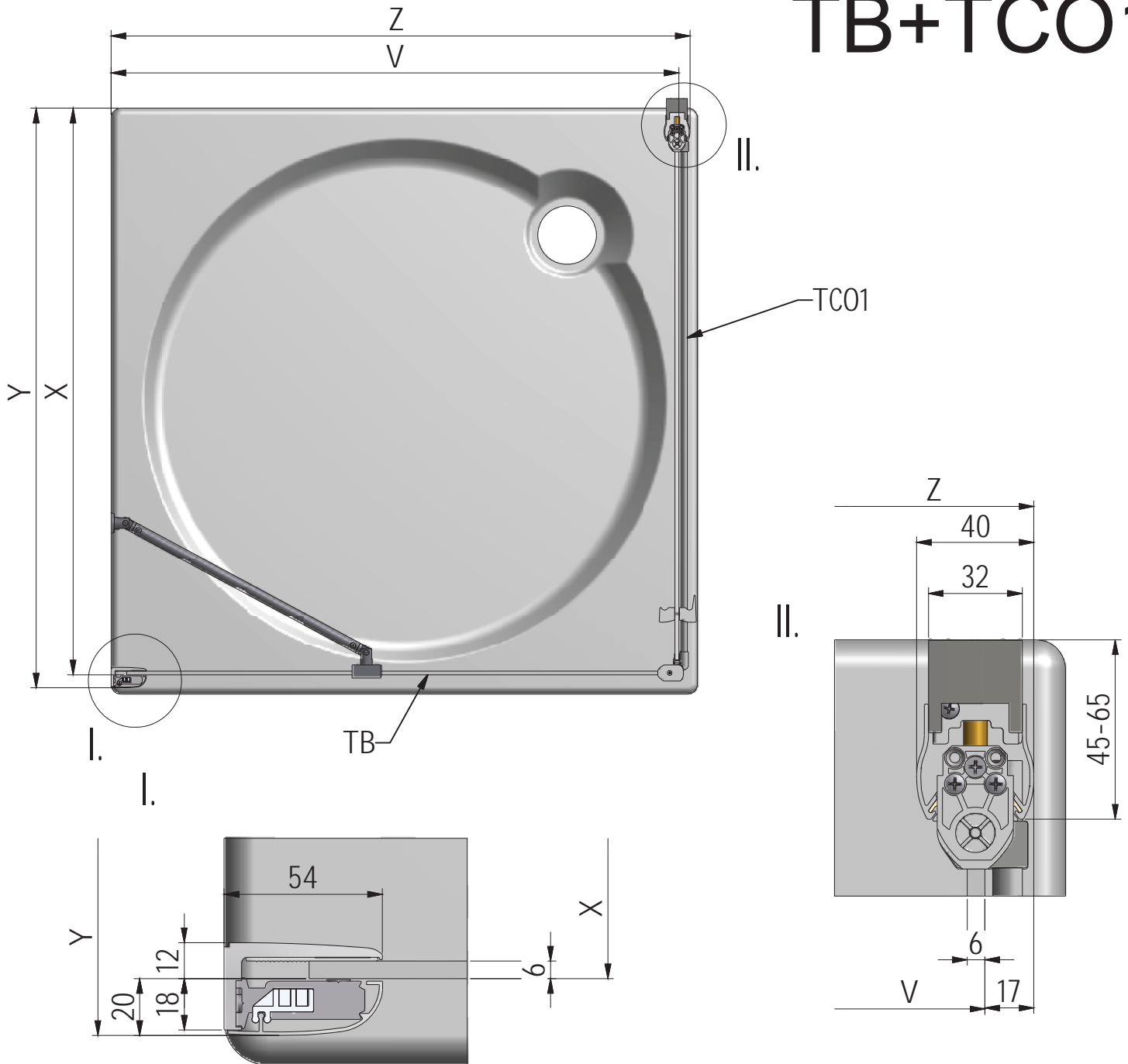
TD01

TB

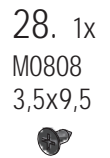
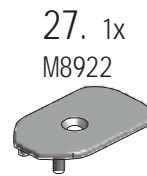
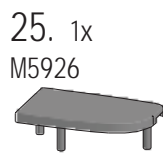
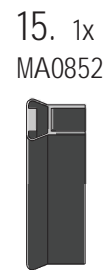
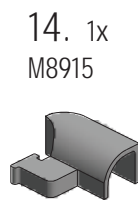
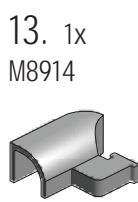
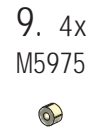
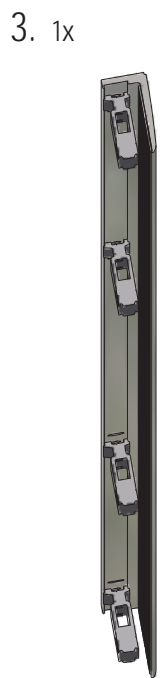
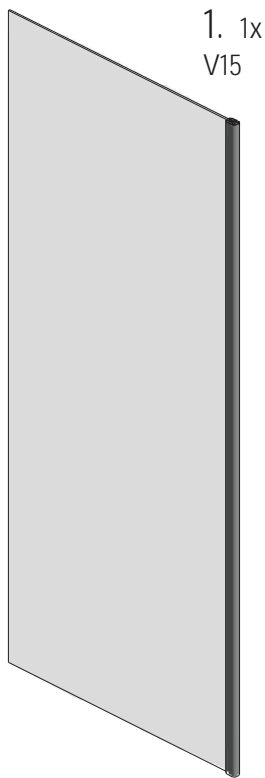


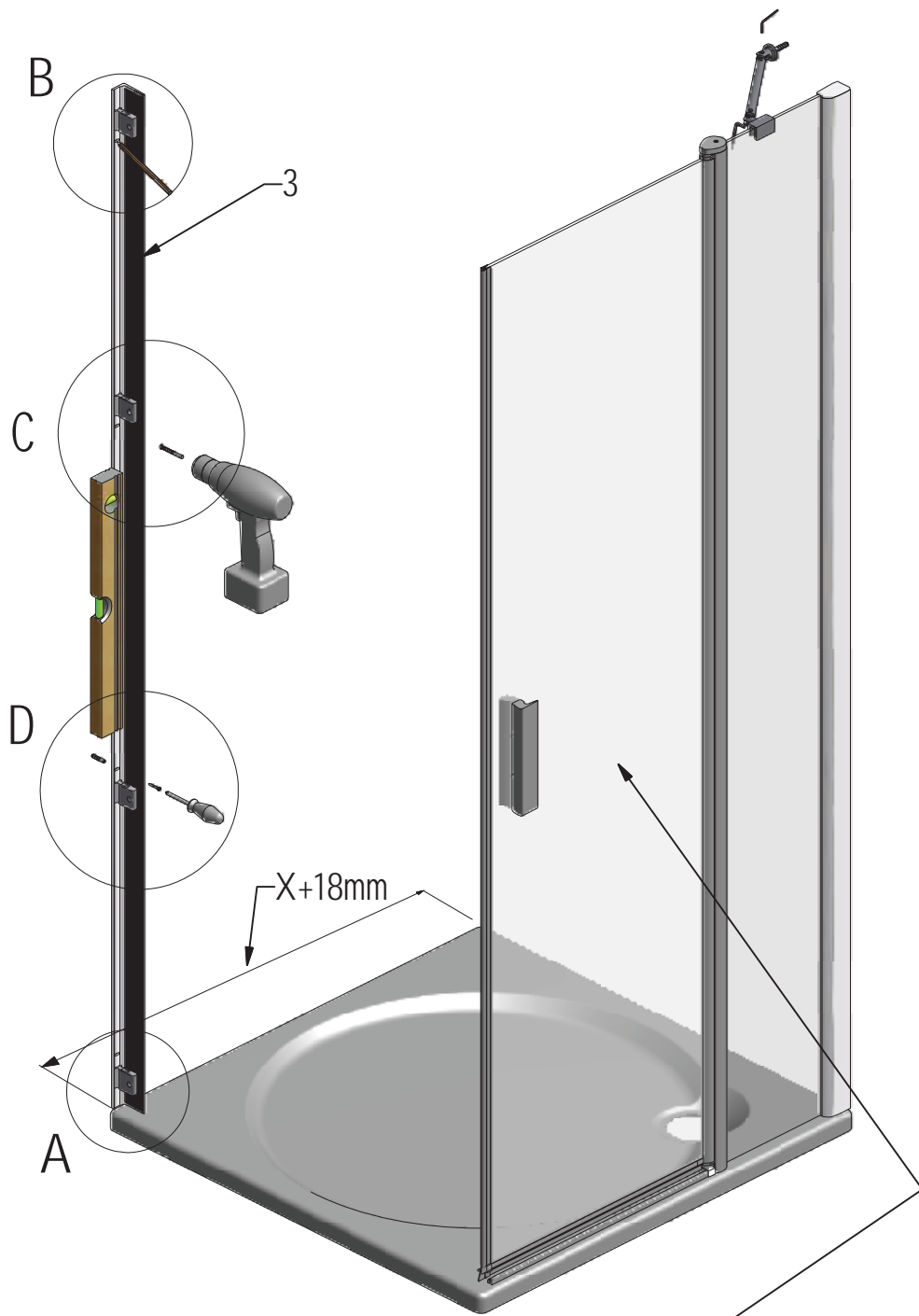
| | X (mm) | | Y (mm) | |
|------|--------|-----|--------|-----|
| | MIN | MAX | MIN | MAX |
| 700 | 655 | 670 | 675 | 690 |
| 750 | 705 | 720 | 725 | 740 |
| 800 | 755 | 770 | 775 | 790 |
| 900 | 855 | 870 | 875 | 890 |
| 1000 | 955 | 970 | 975 | 990 |

TB+TCO1

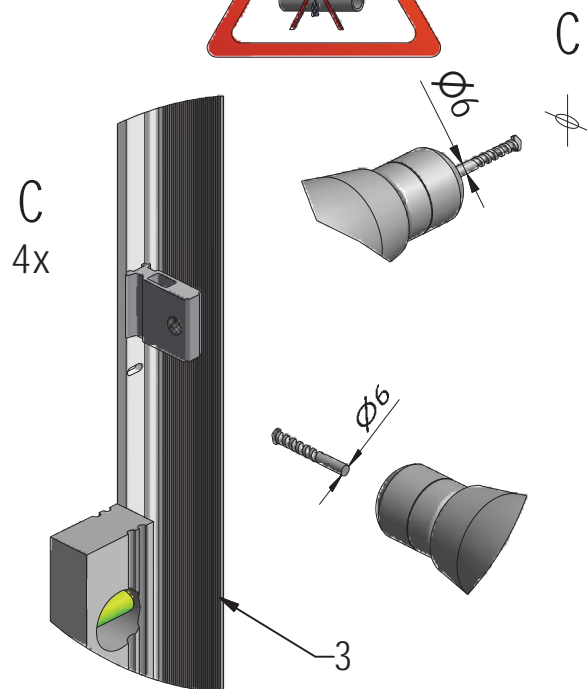
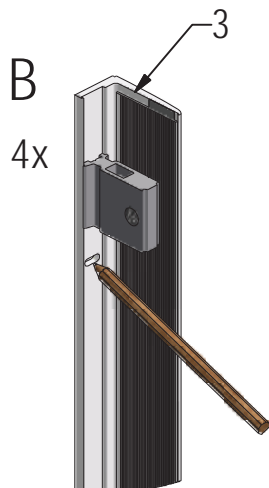
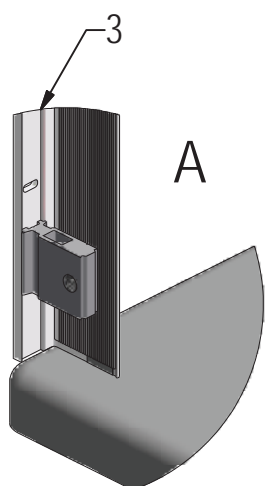
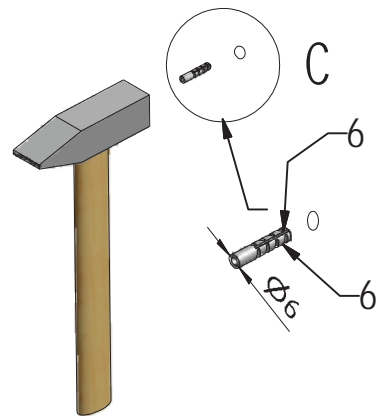
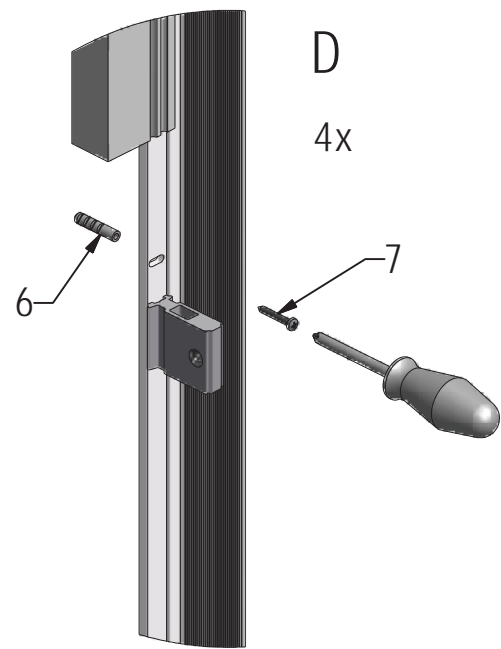


| | TC01 | | | | TB | | | |
|------|-------|-----|-------|------|-------|-----|-------|-----|
| | X(mm) | | Y(mm) | | V(mm) | | Z(mm) | |
| | MIN | MAX | MIN | MAX | MIN | MAX | MIN | MAX |
| 700 | - | - | - | - | 650 | 670 | 667 | 687 |
| 750 | - | - | - | - | 700 | 720 | 717 | 737 |
| 800 | 765 | 780 | 785 | 800 | 750 | 770 | 767 | 787 |
| 900 | 865 | 880 | 885 | 900 | 850 | 870 | 867 | 887 |
| 1000 | 965 | 980 | 985 | 1000 | 950 | 970 | 967 | 987 |

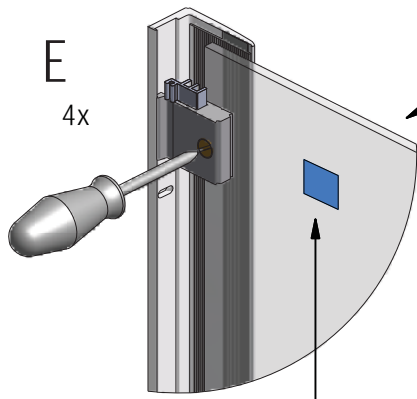




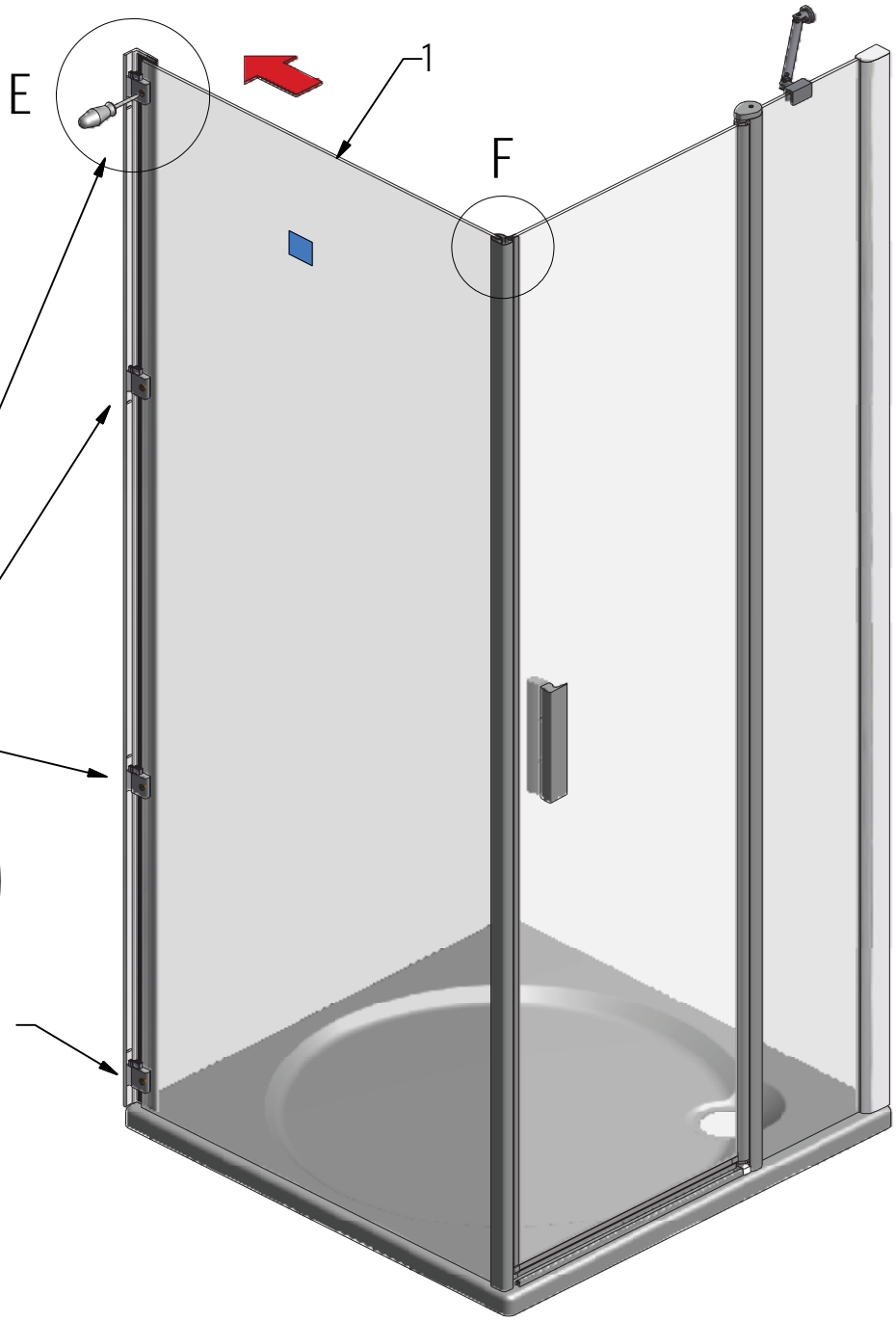
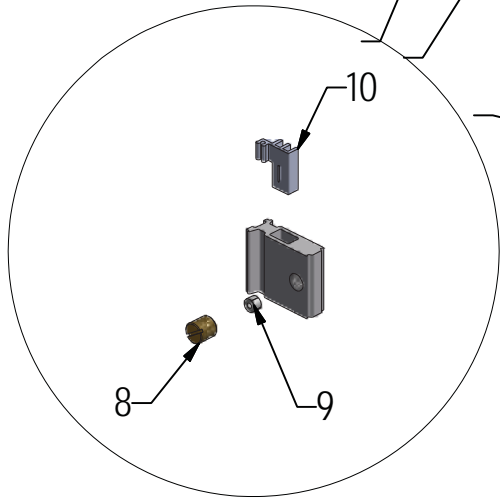
manual TD01 (TC01)



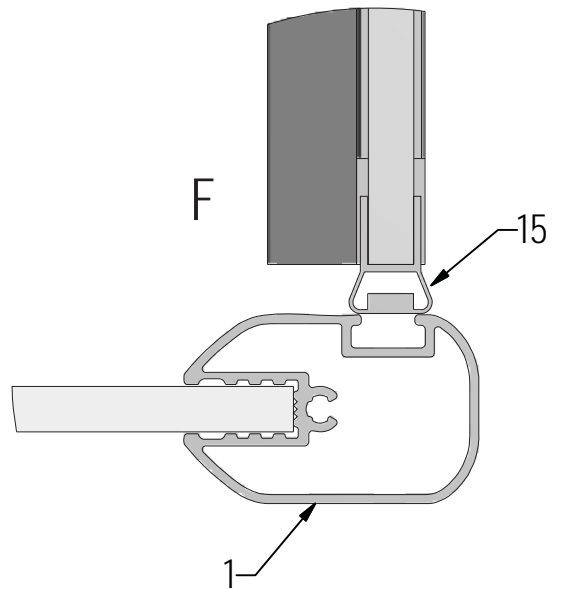
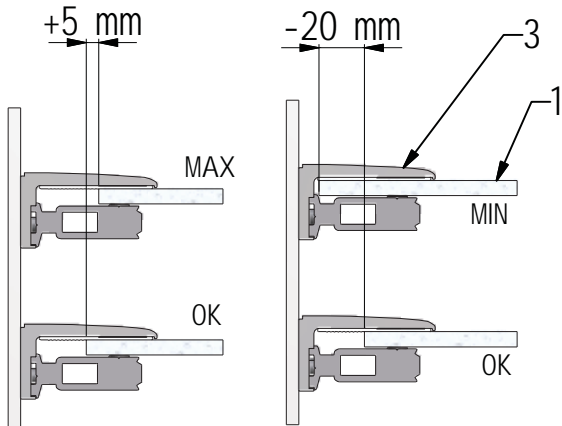
(DE) Behandelten Seite (INNERE)
 (FR) Face traitée (INTERIEUR)
 (GB) Treated side (INTERIOR)
 (CZ) Ošetřená strana (INTERIER)

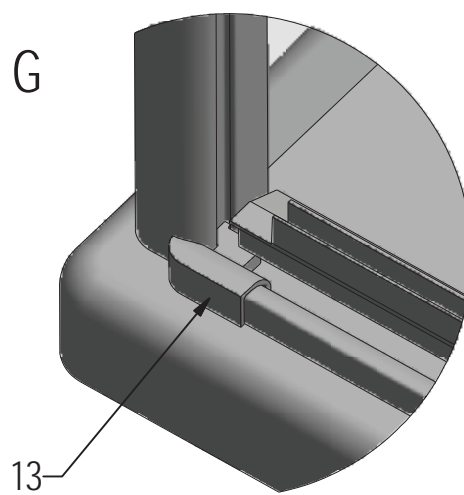
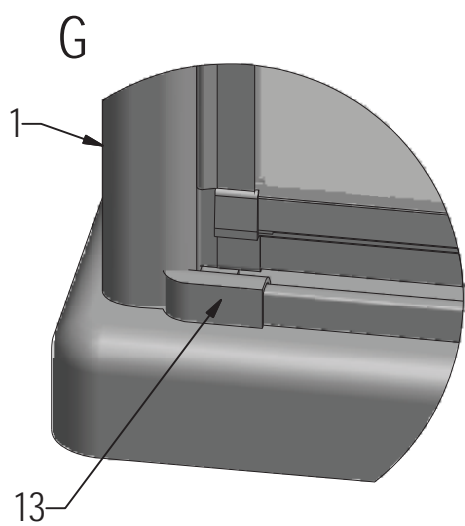
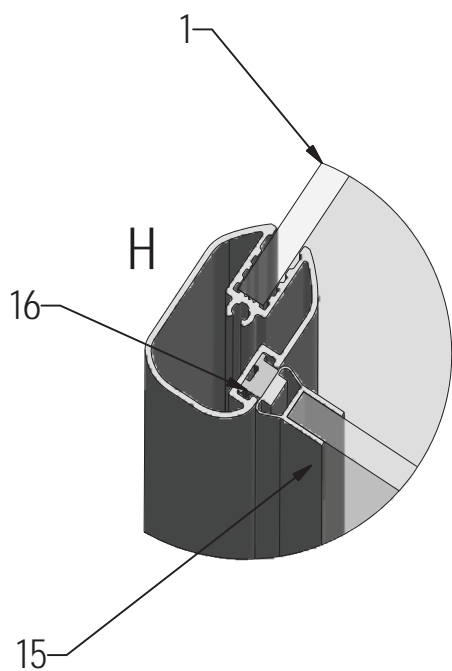
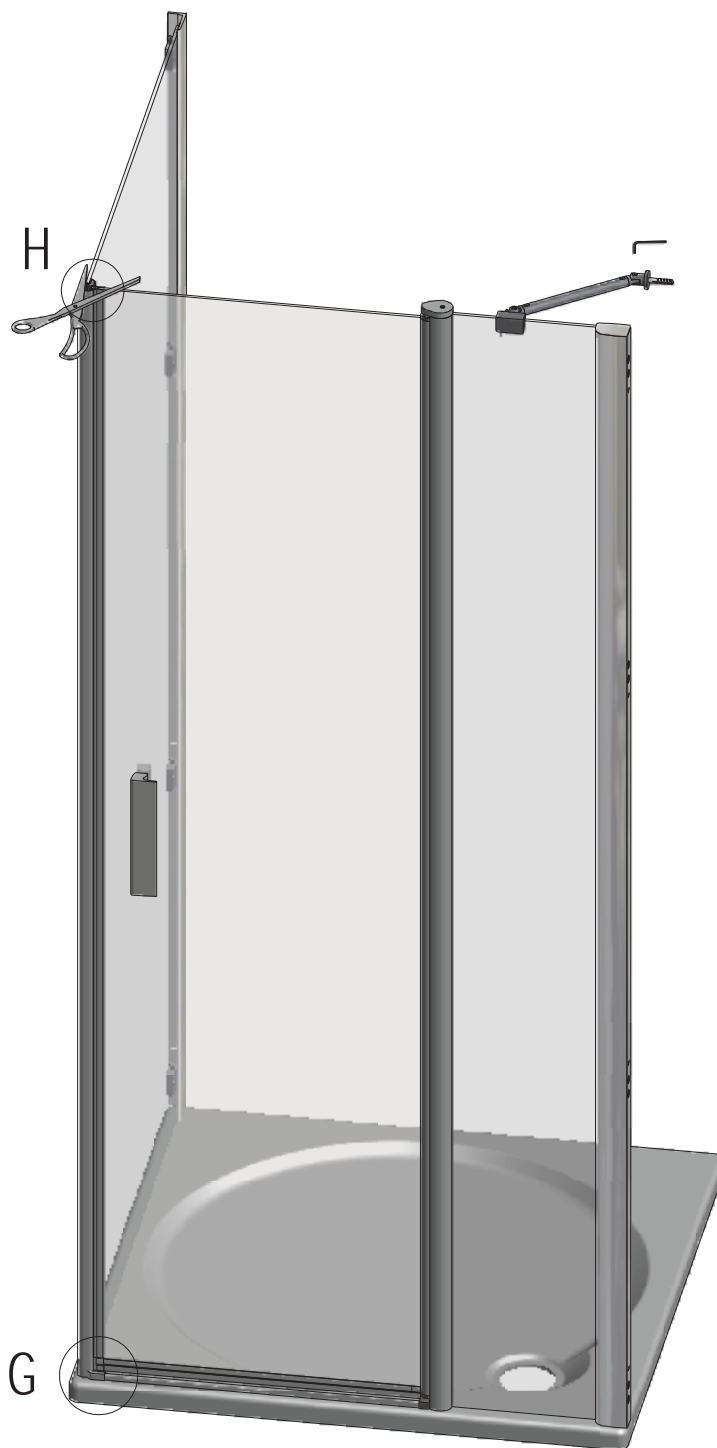
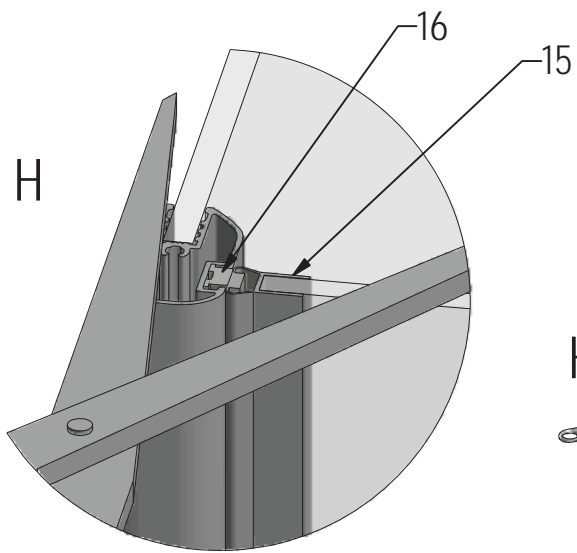


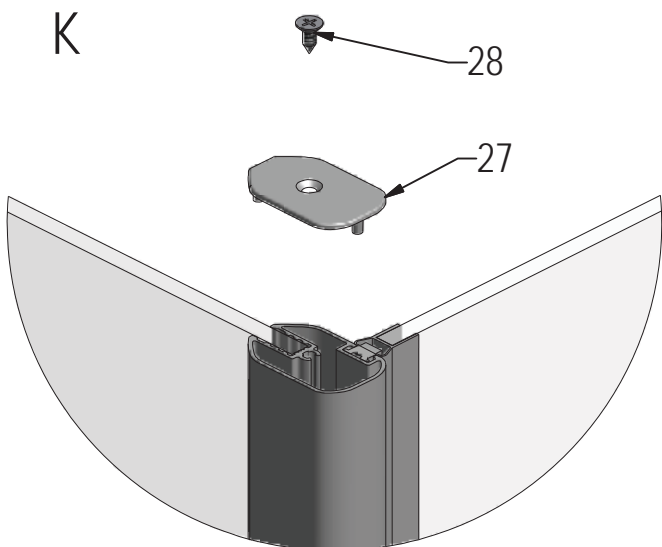
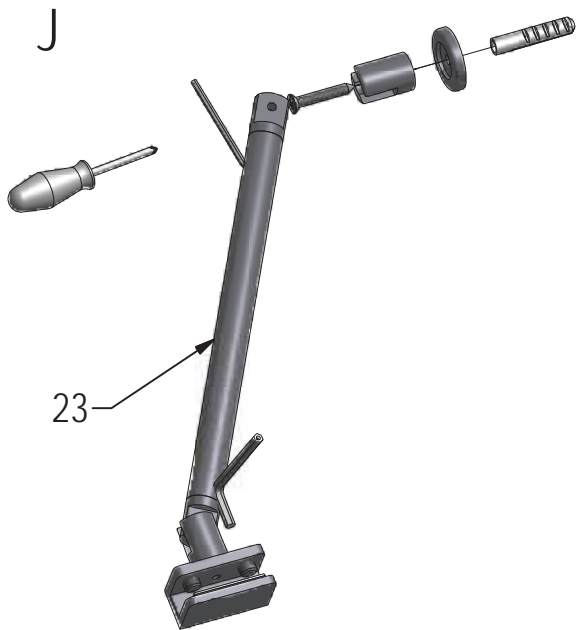
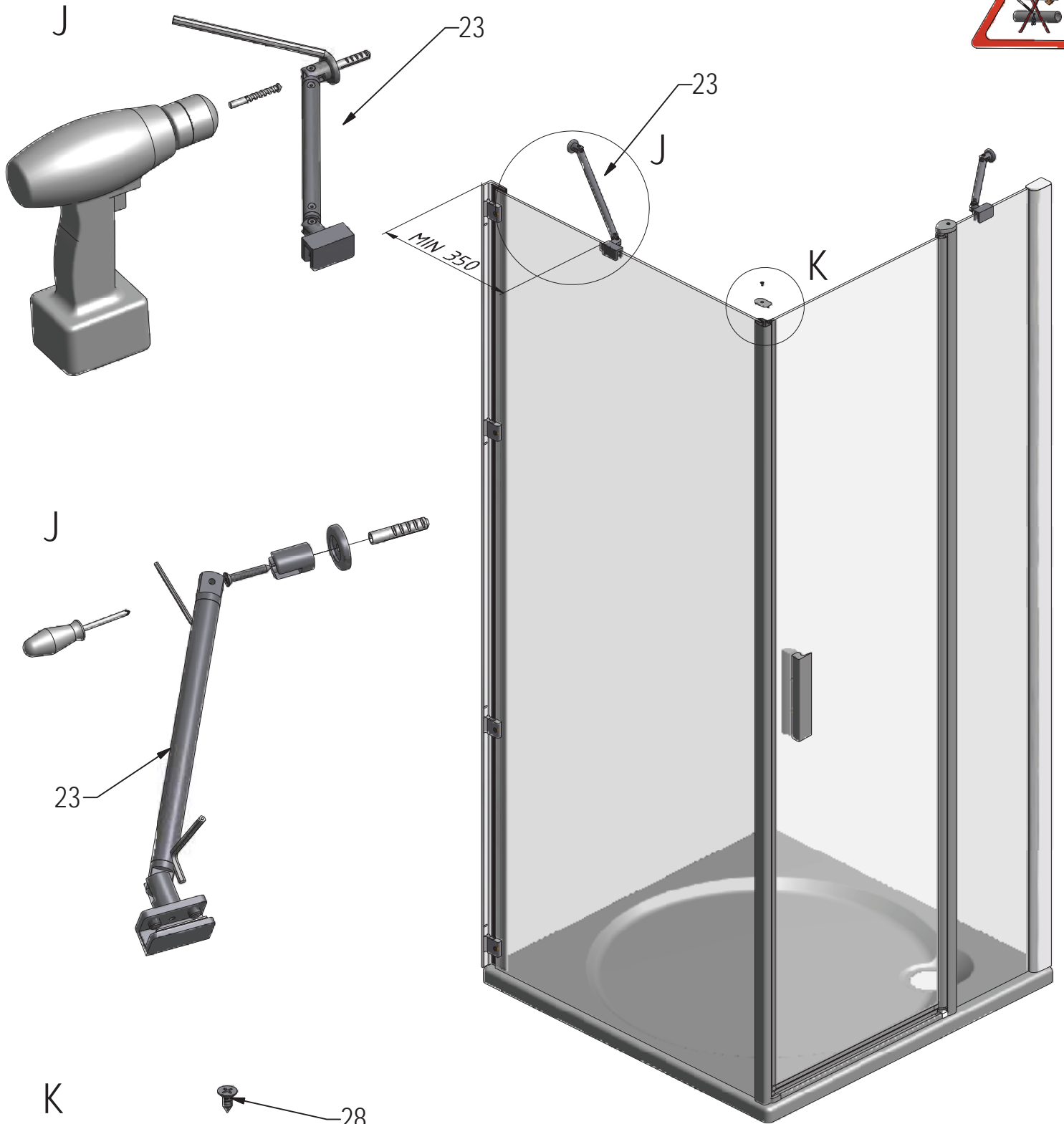
(DE) Marke BLAU (äußere)
 (FR) Repère BLEU (EXTERIEUR)
 (GB) Sing BLUE (EXTERIOR)
 (CZ) Modrý čtvereček (EXTERIER)

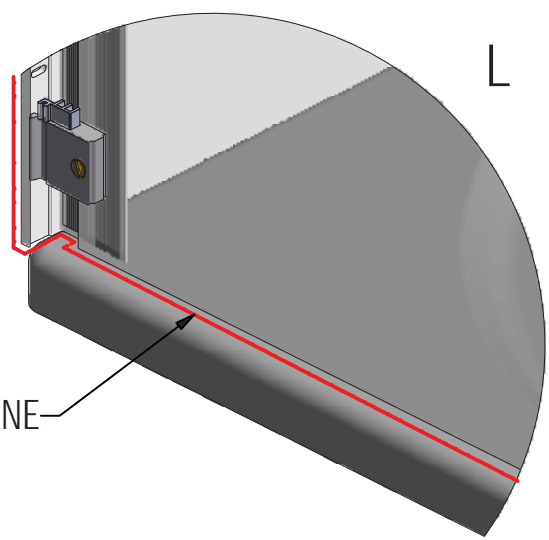
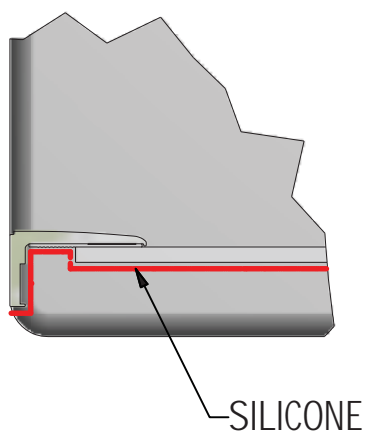
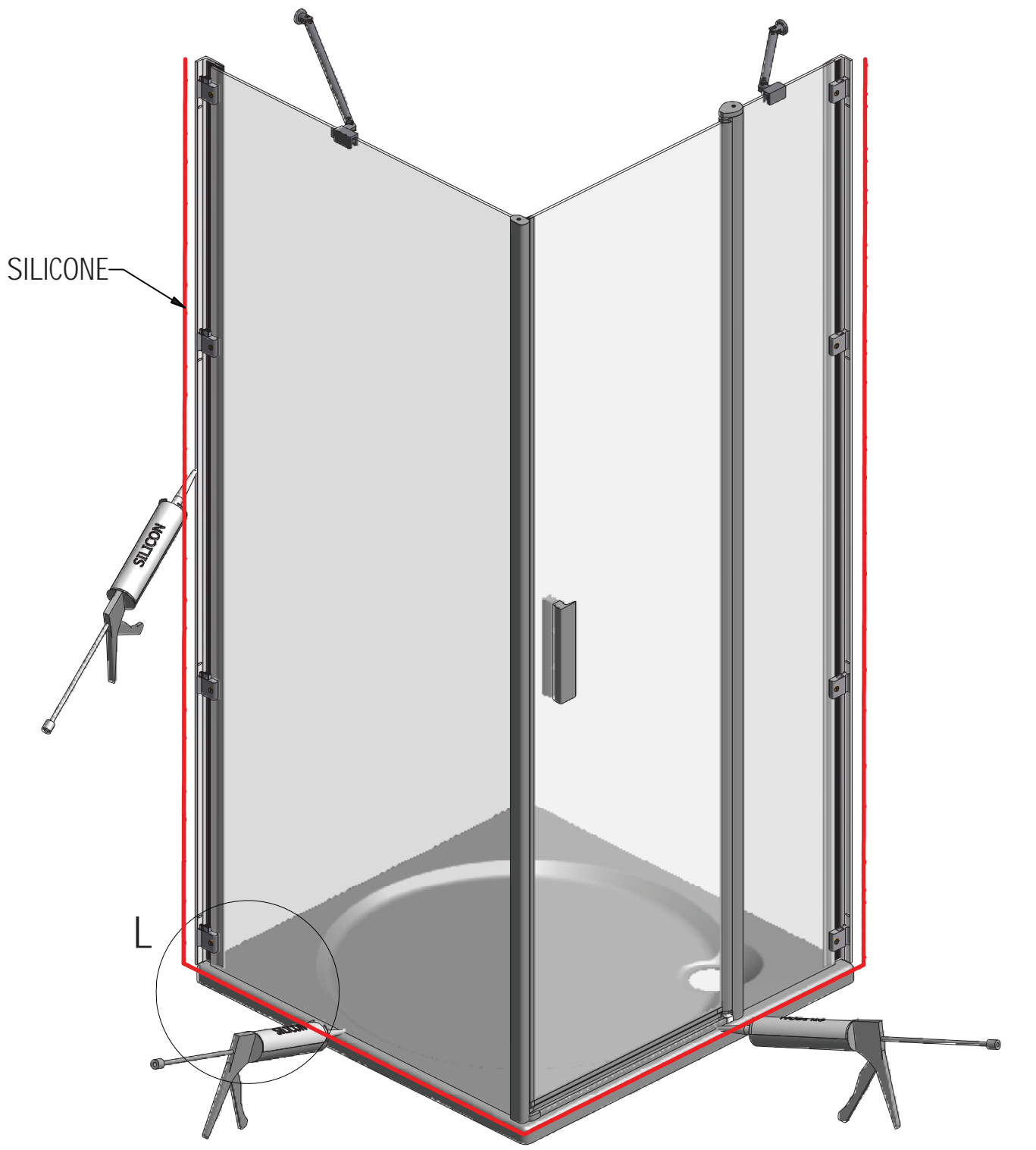


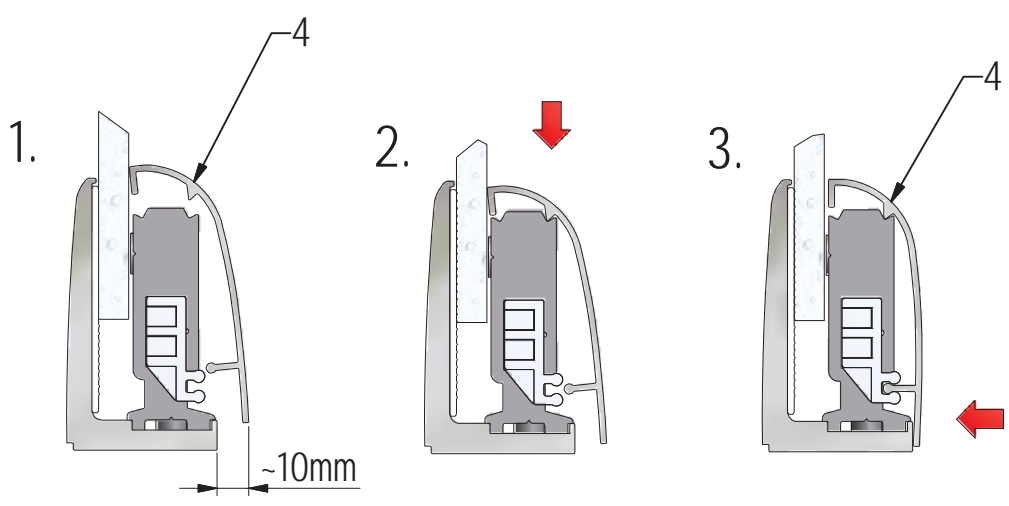
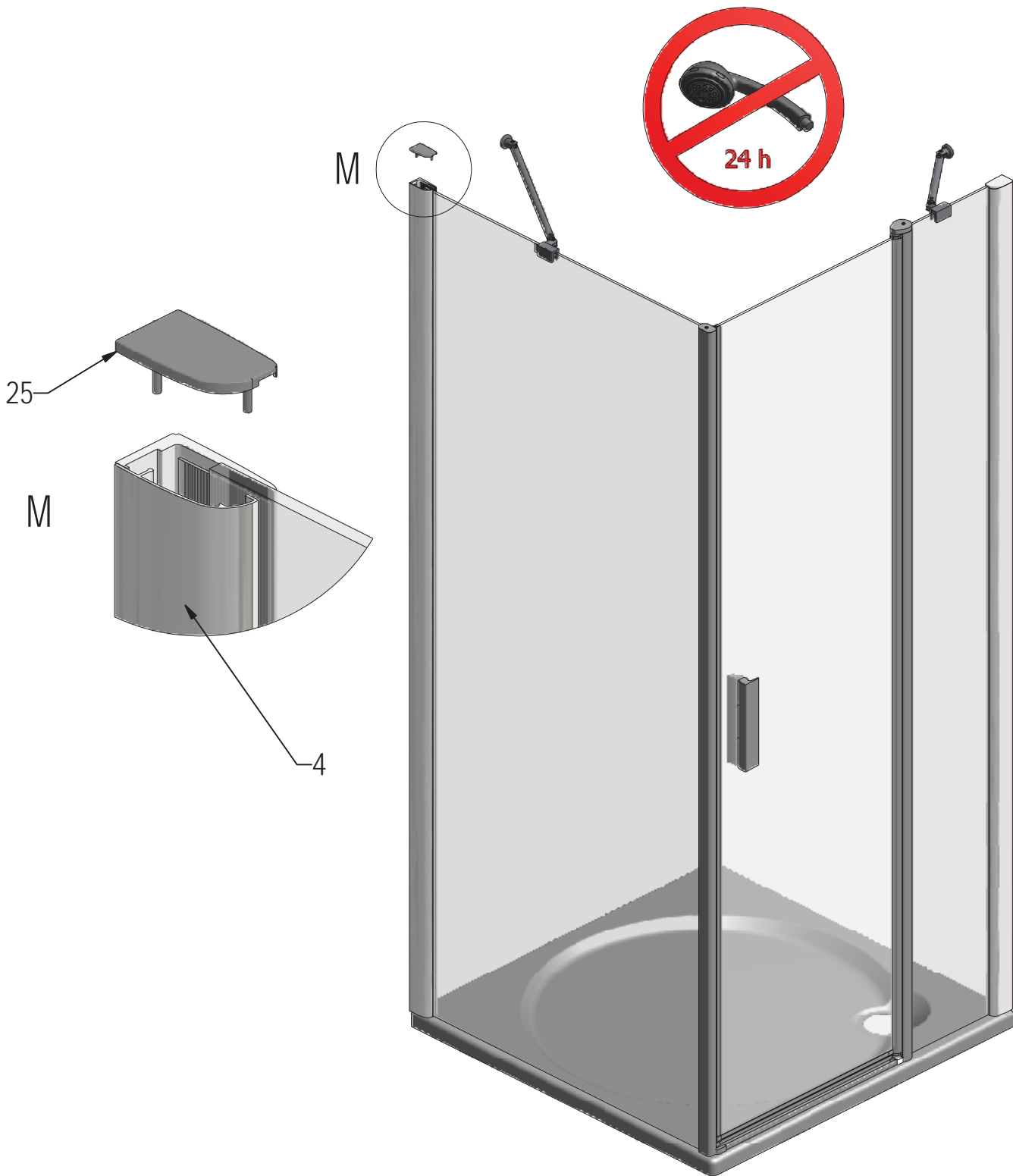
E



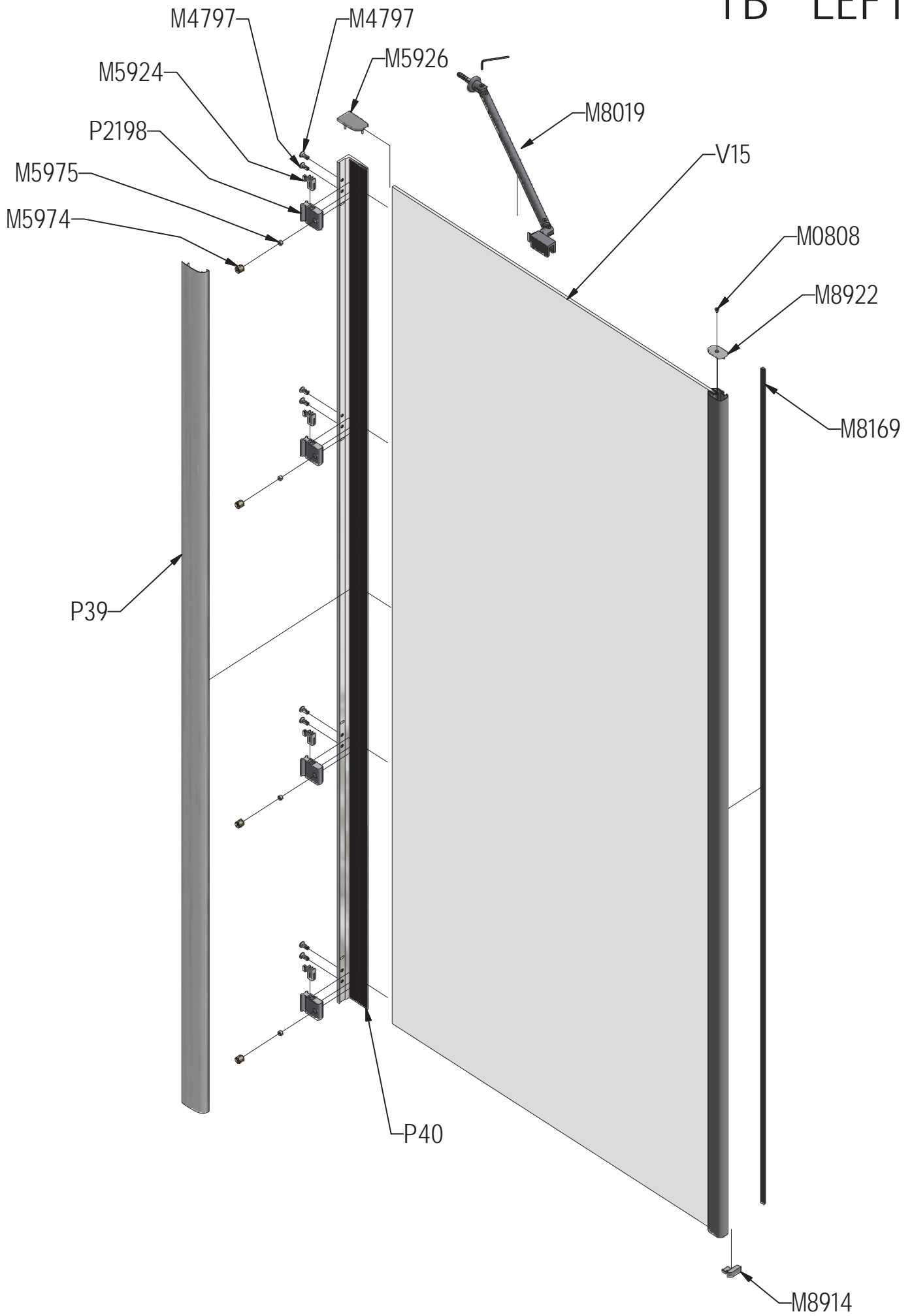




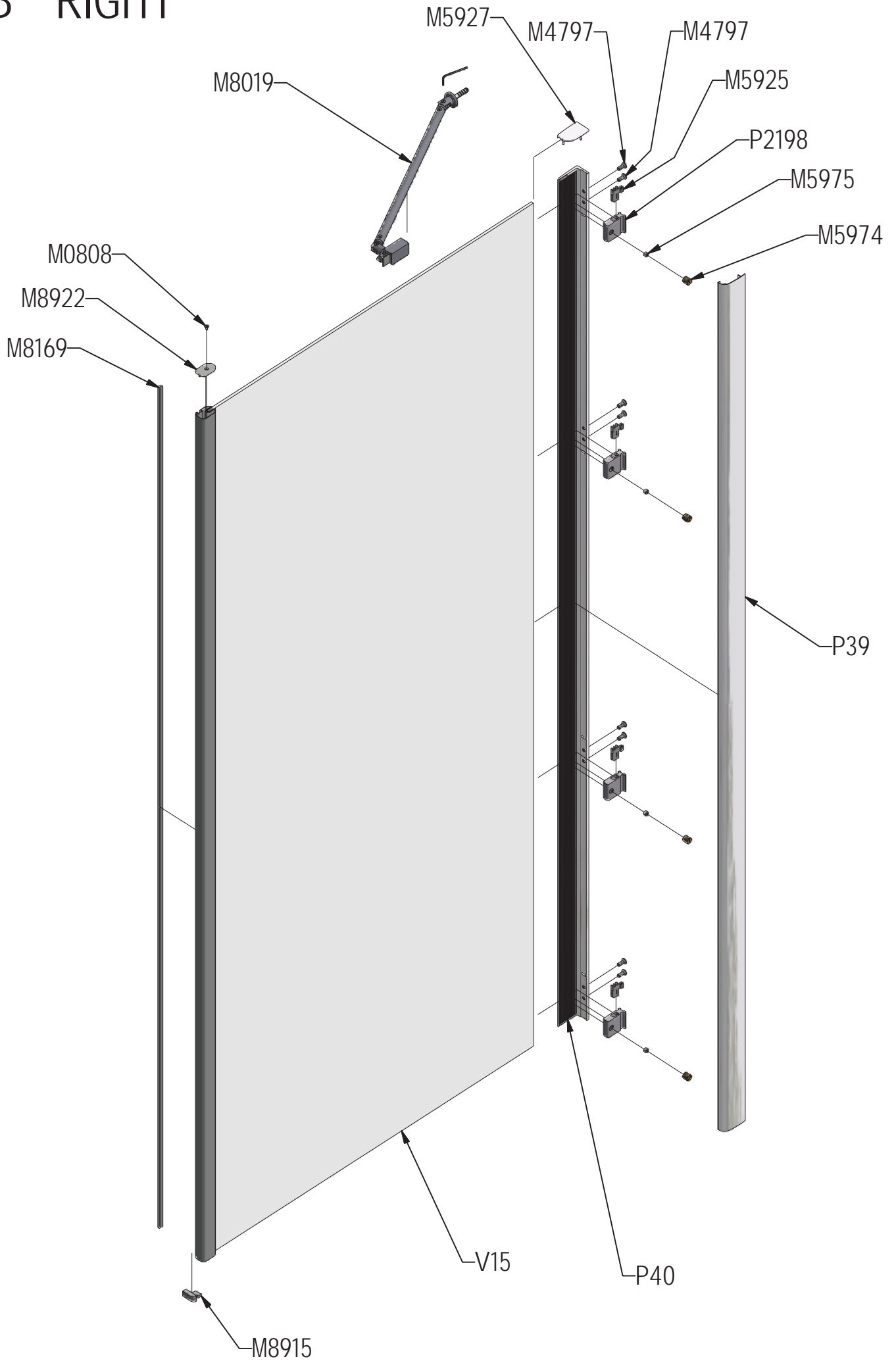




TB LEFT



TB RIGHT



| | | | |
|-----|--|----------|--------------|
| P39 | | brillant | P2206 |
| | | elox | P2208 |
| P40 | | brillant | ND01-0996-00 |
| | | elox | ND01-0996-01 |

| | | | | |
|-----|------|-----------------------------|-----------------------|-------------------|
| V15 | 700 | brillant+clear glass | brillant+čiré sklo | ND03-0347-00-02 |
| | | elox+clear glass | elox+čiré sklo | ND03-0347-01-02 |
| | 750 | brillant+clear glass | brillant+čiré sklo | ND03-0348-00-02 |
| | | elox+clear glass | elox+čiré sklo | ND03-0348-01-02 |
| | 800 | brillant+clear glass | brillant+čiré sklo | ND03-0349-00-02 |
| | | brillant+intima glass left | brillant+intima levé | ND03-0349-00-20-L |
| | | brillant+intima glass right | brillant+intima pravé | ND03-0349-00-20-P |
| | | elox+clear glass | elox+čiré sklo | ND03-0349-01-02 |
| | | elox+intima glass left | elox+intima levé | ND03-0349-01-20-L |
| | | elox+intima glass right | elox+intima pravé | ND03-0349-01-20-P |
| | 900 | brillant+clear glass | brillant+čiré sklo | ND03-0350-00-02 |
| | | brillant+intima glass left | brillant+intima levé | ND03-0350-00-20-L |
| | | brillant+intima glass right | brillant+intima pravé | ND03-0350-00-20-P |
| | | elox+clear glass | elox+čiré sklo | ND03-0350-01-02 |
| | | elox+intima glass left | elox+intima levé | ND03-0350-01-20-L |
| | | elox+intima glass right | elox+intima pravé | ND03-0350-01-20-P |
| | 1000 | brillant+clear glass | brillant+čiré sklo | ND03-0351-00-02 |
| | | brillant+intima glass left | brillant+intima levé | ND03-0351-00-20-L |
| | | brillant+intima glass right | brillant+intima pravé | ND03-0351-00-20-P |
| | | elox+clear glass | elox+čiré sklo | ND03-0351-01-02 |
| | | elox+intima glass left | elox+intima levé | ND03-0351-01-20-L |
| | | elox+intima glass right | elox+intima pravé | ND03-0351-01-20-P |

