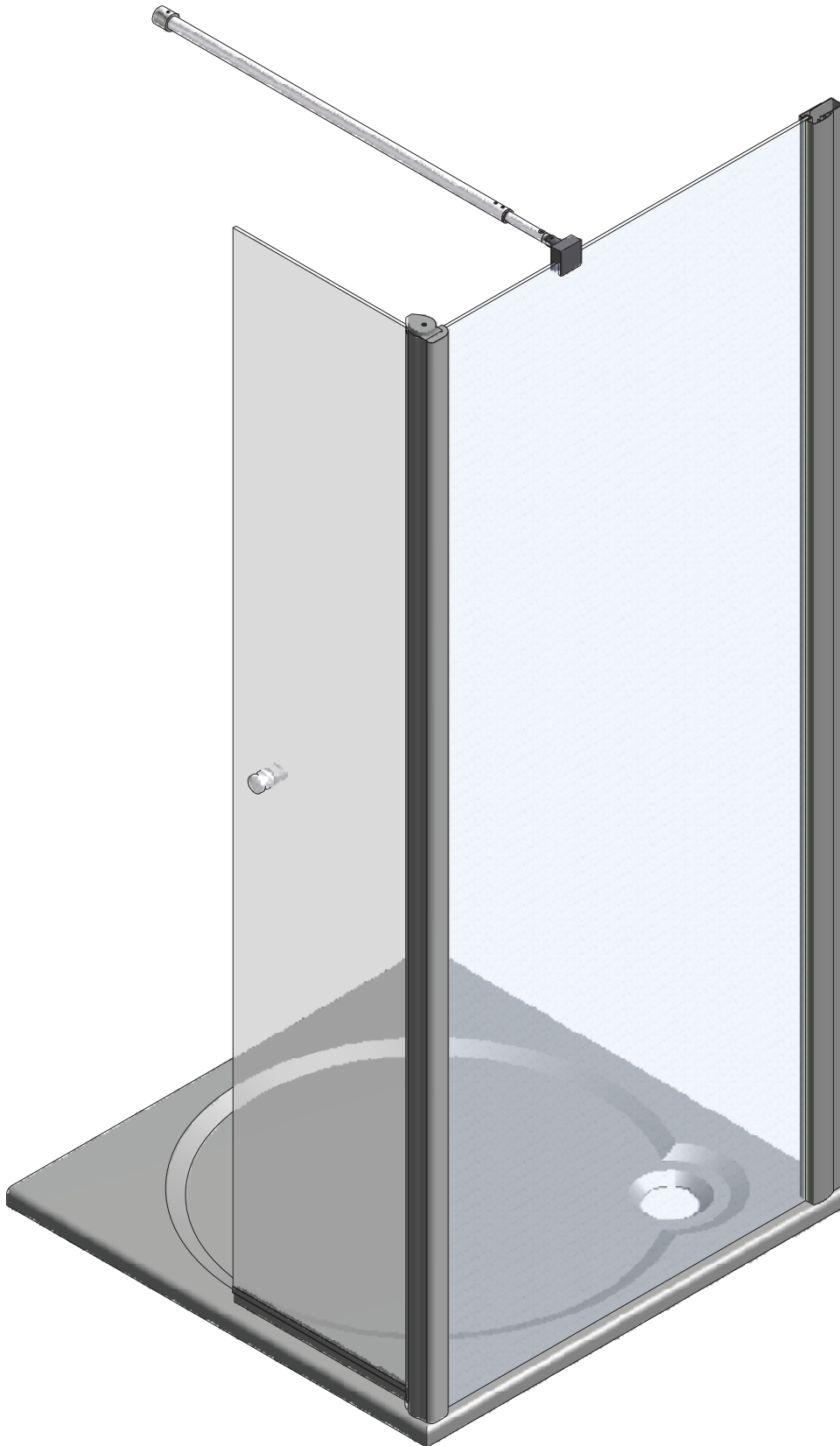
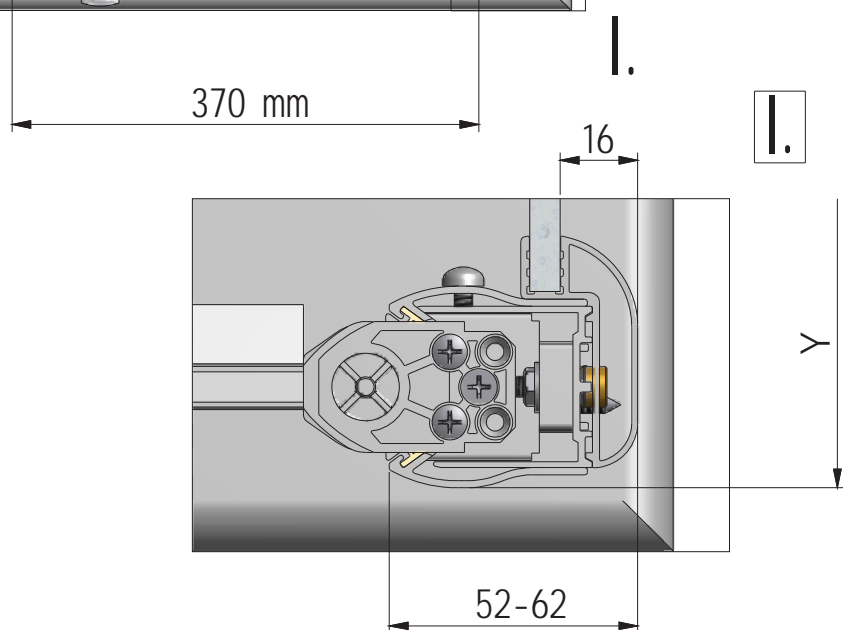
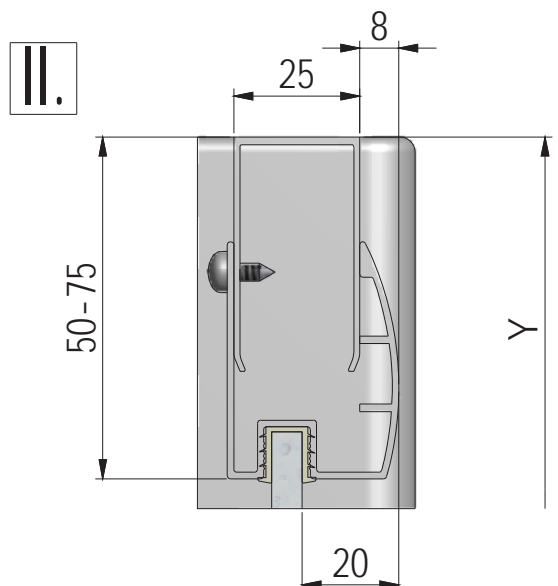
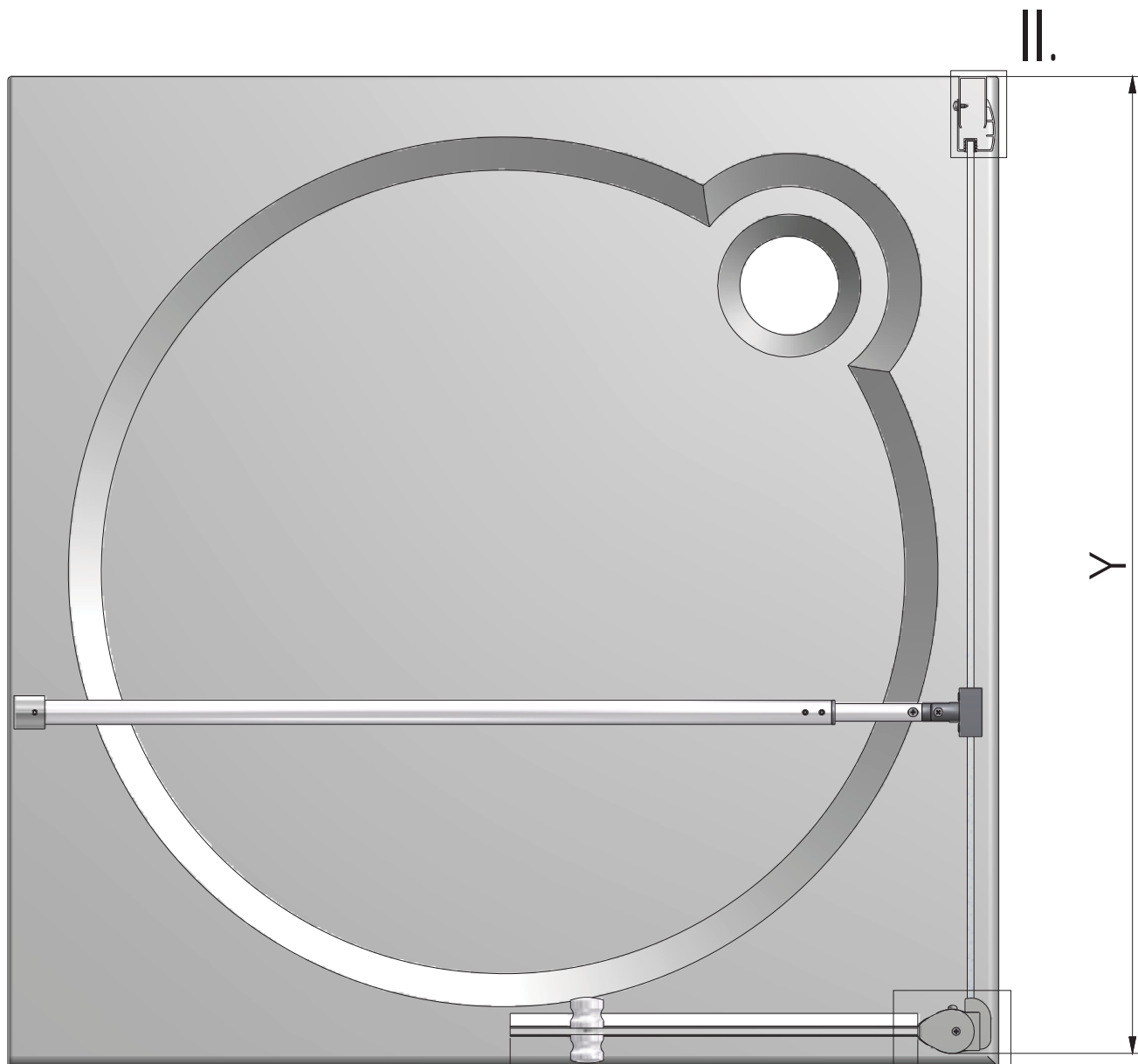


TCW1



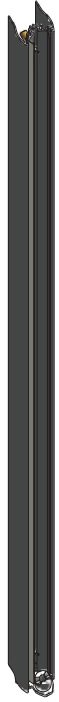


TCW1	
	Y MIN-MAX (mm)
800	770-795
900	870-895
1000	970-995
1200	1170-1195
1400	1370-1395

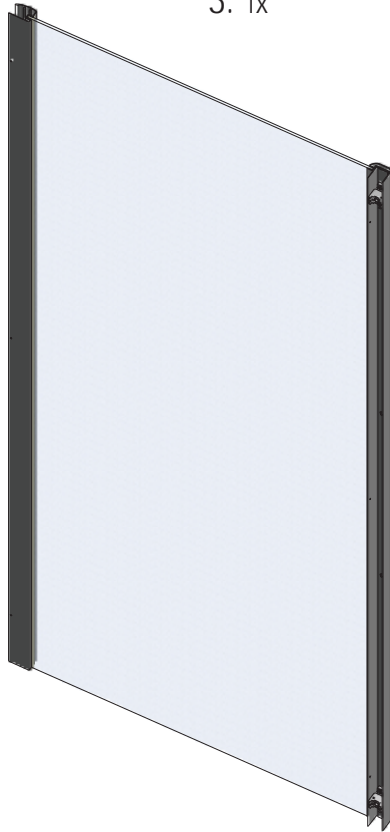
1. 1x
P2873



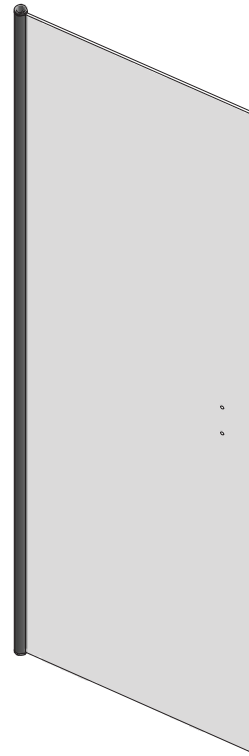
2. 1x



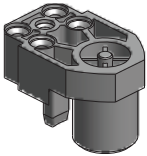
3. 1x



4. 1x
ND02-0746



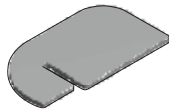
5. 1x
M0547



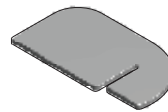
6. 3x
M0768



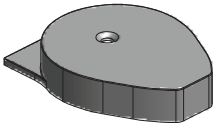
7a. 1x
MA1548



7b. 1x
MA1549



8. 1x
M1904



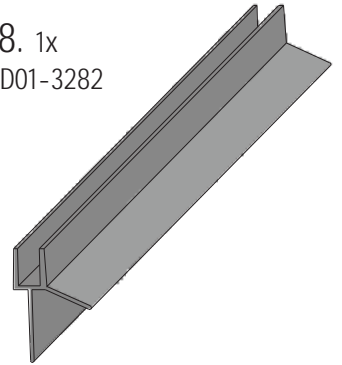
9. 1x
M0800
3,5x45



10. 3x
M0811
3,9x38



18. 1x
ND01-3282



11. 1x
M4649



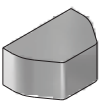
12. 2x
M0793
3,5x25



13. 3x
M0511
Ø6



15. 1x
MA3893



16. 6x
M0806
Ø3,5x9,5



17. 6x
M1907

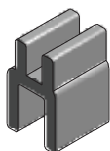


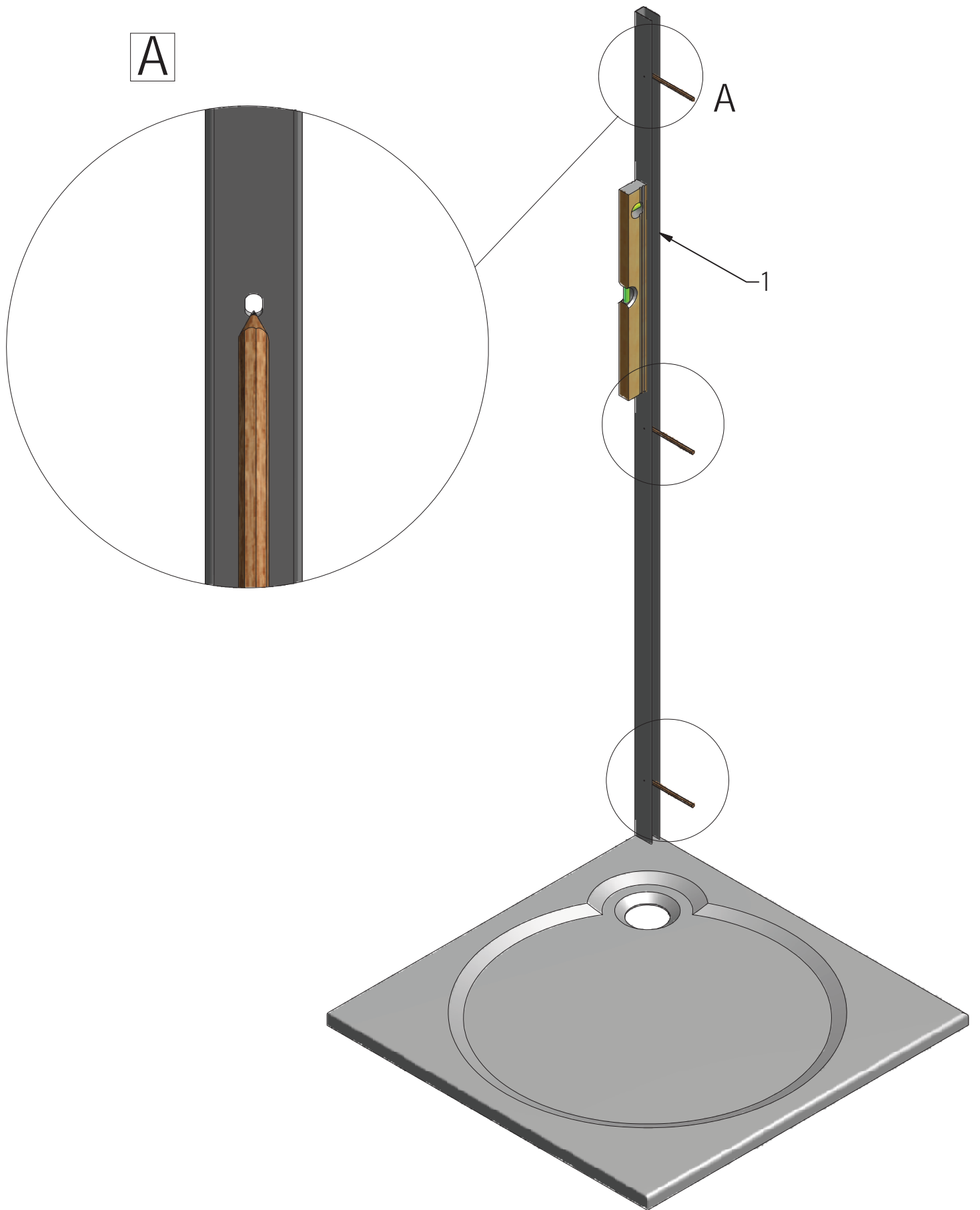
21. 1x
P2743

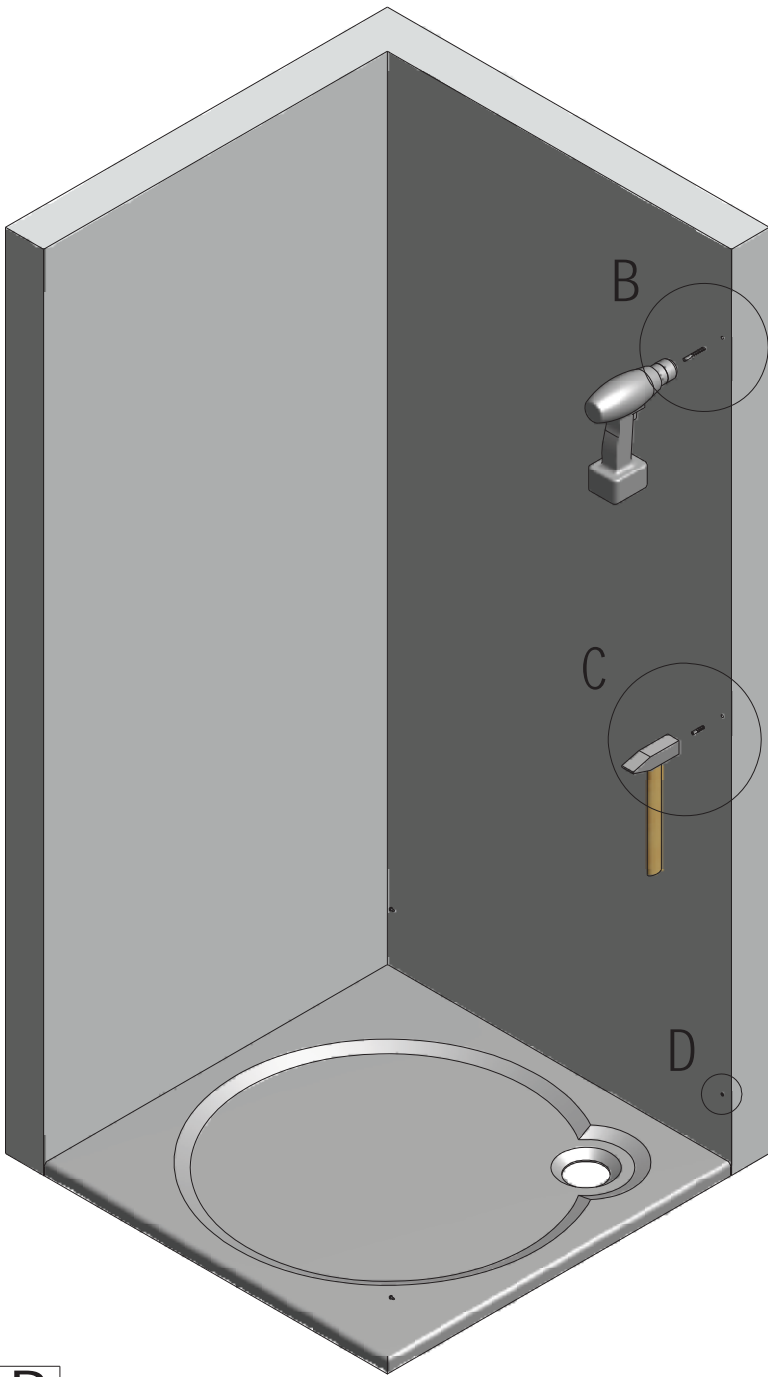
20. 1x
M0838
Ø2,8



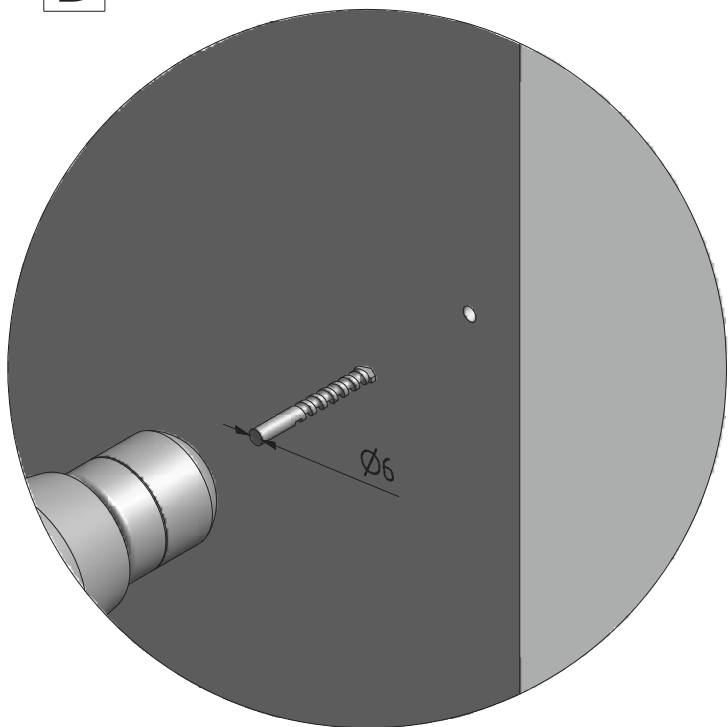
22. 1x
M1916



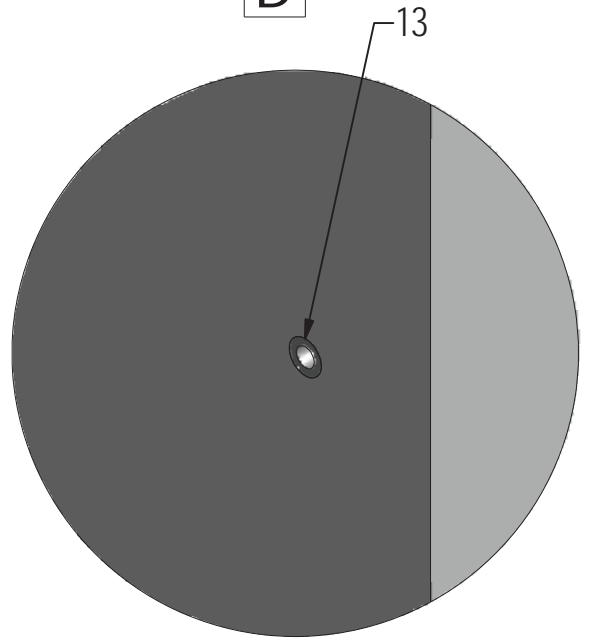




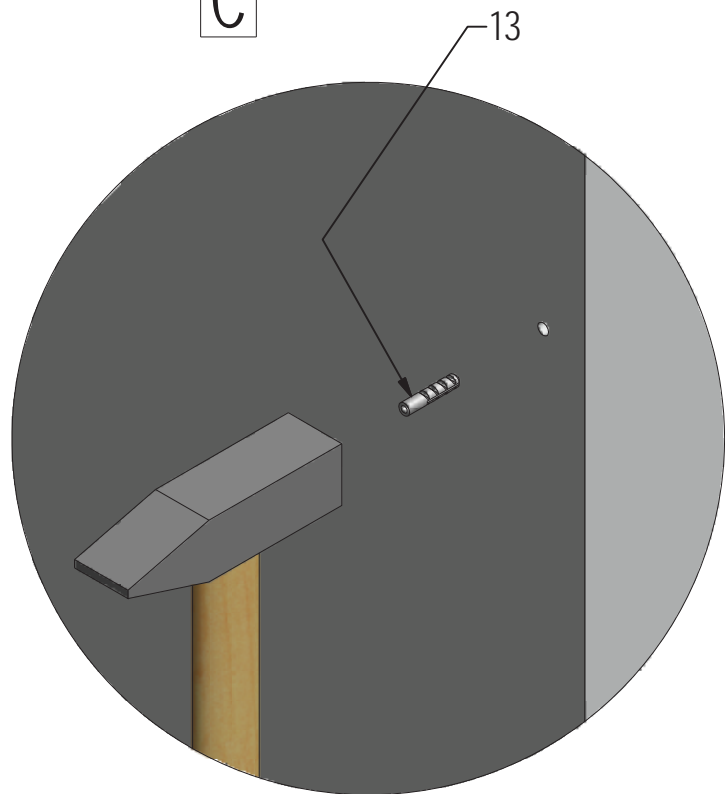
B



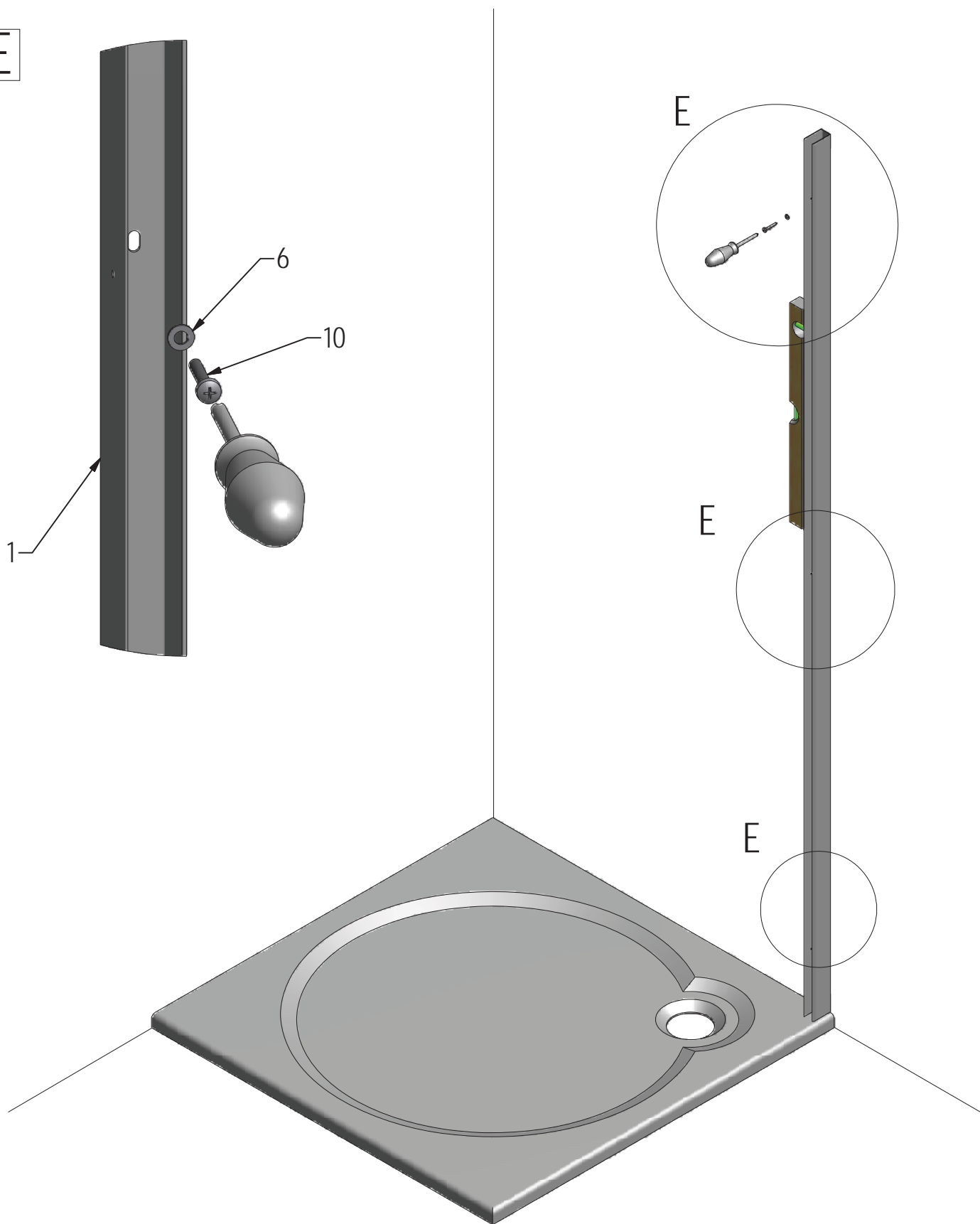
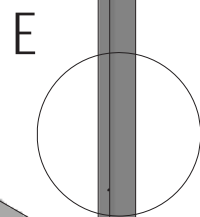
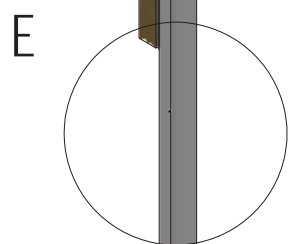
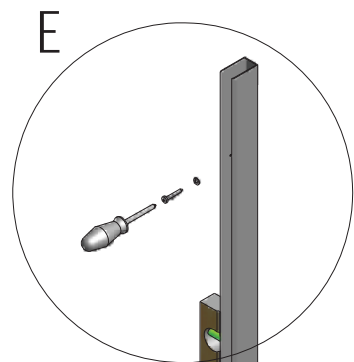
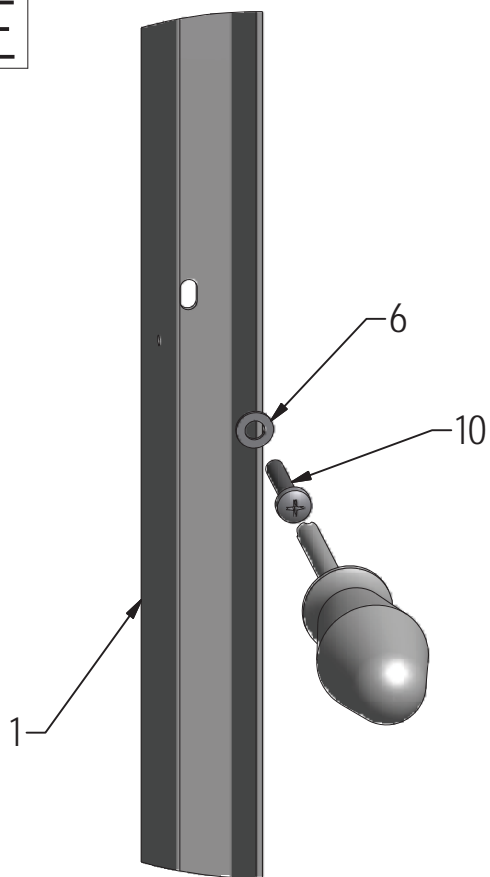
D

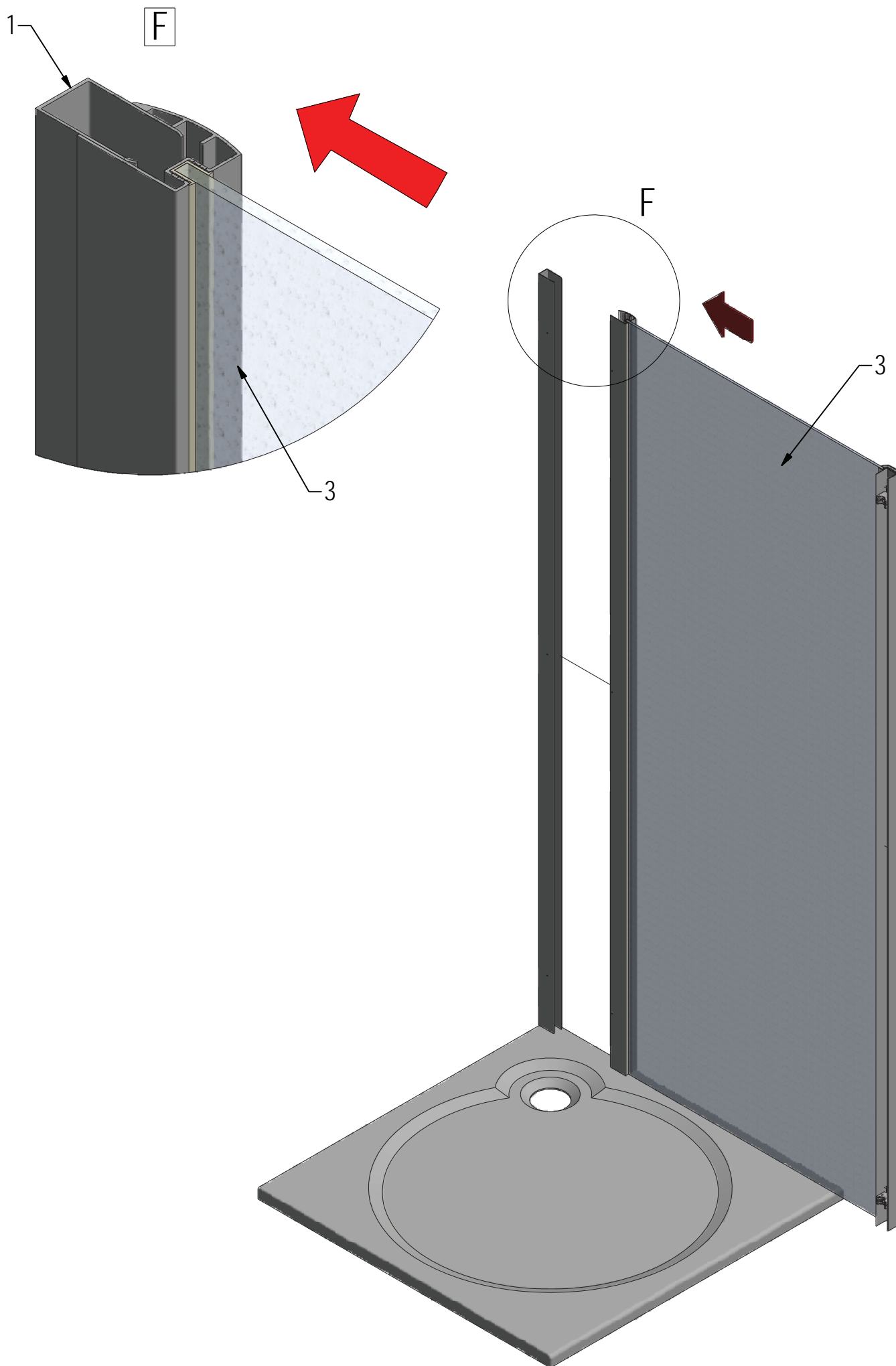


C

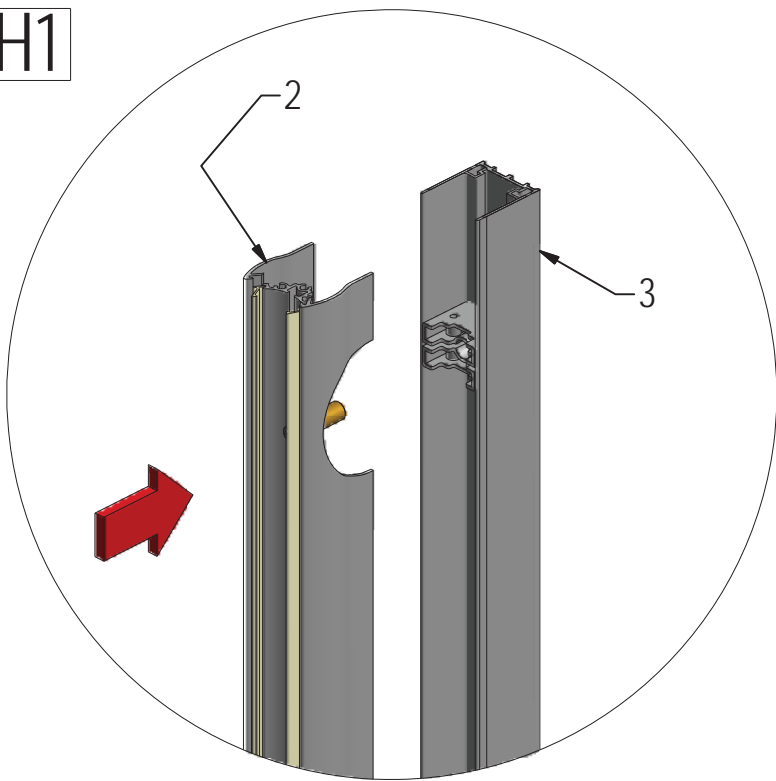


E

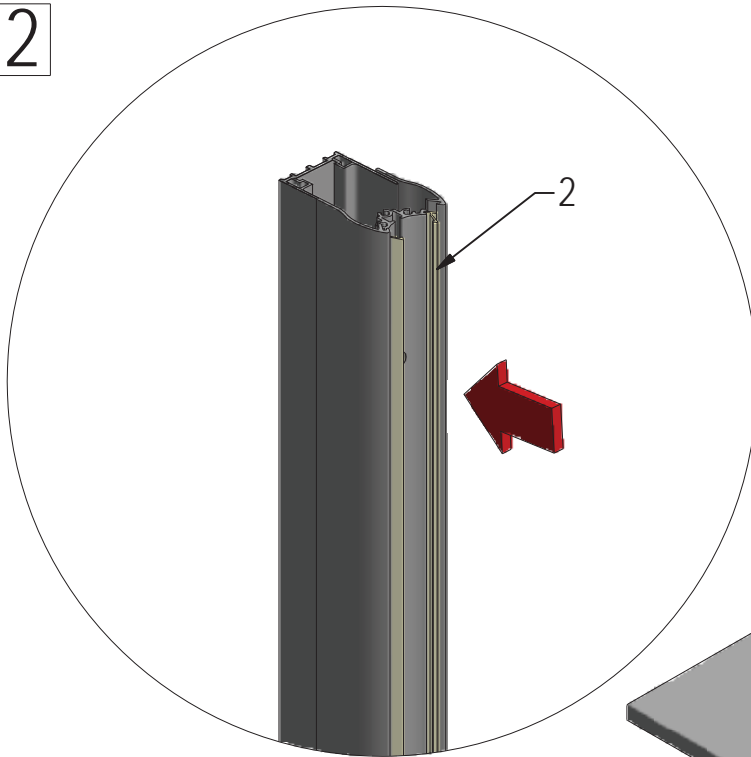




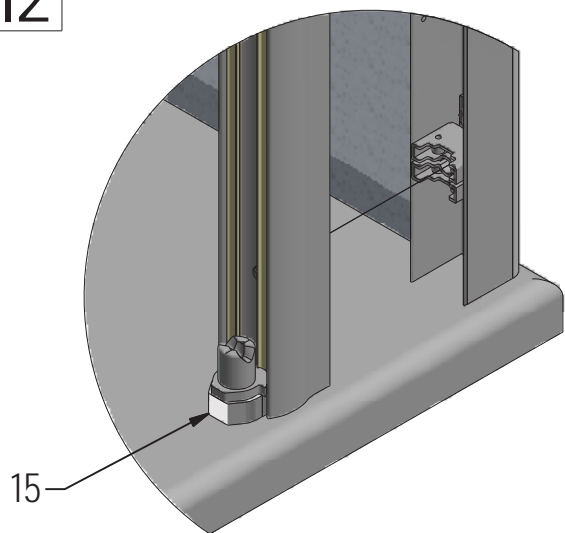
H1



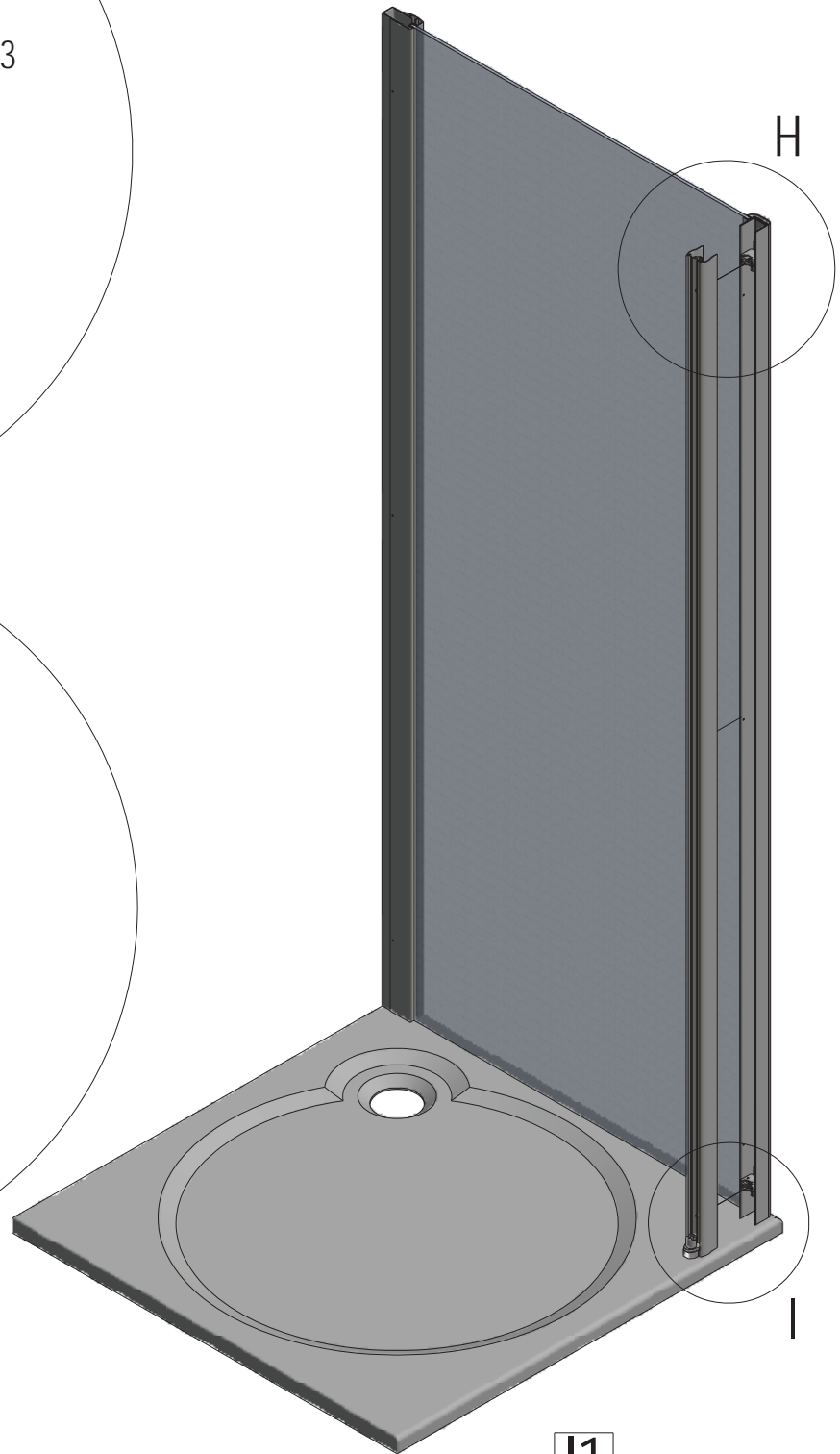
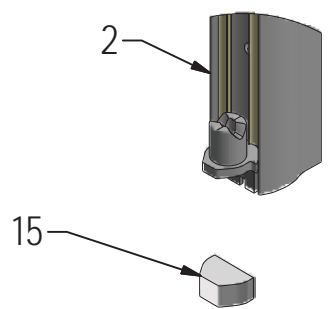
H2

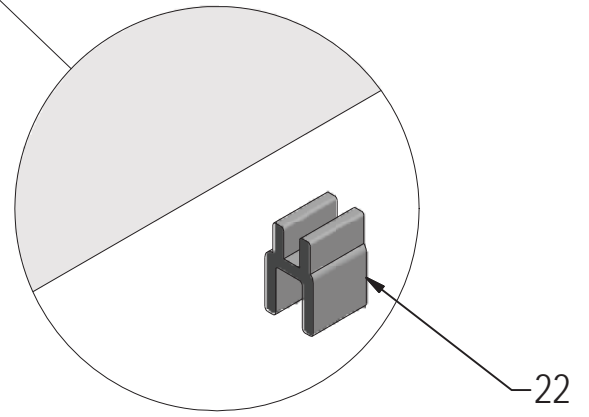
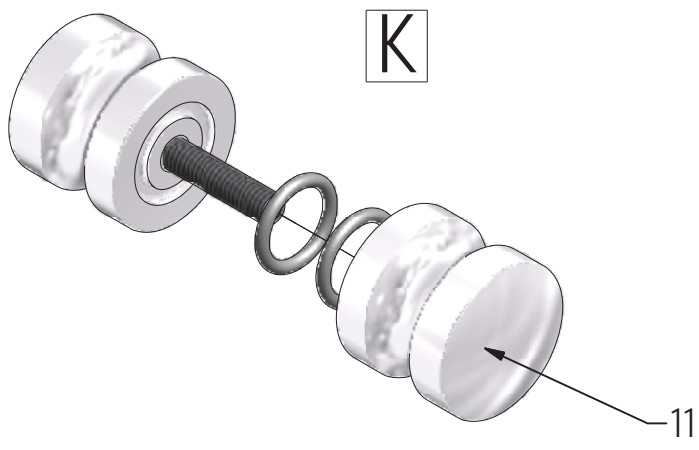
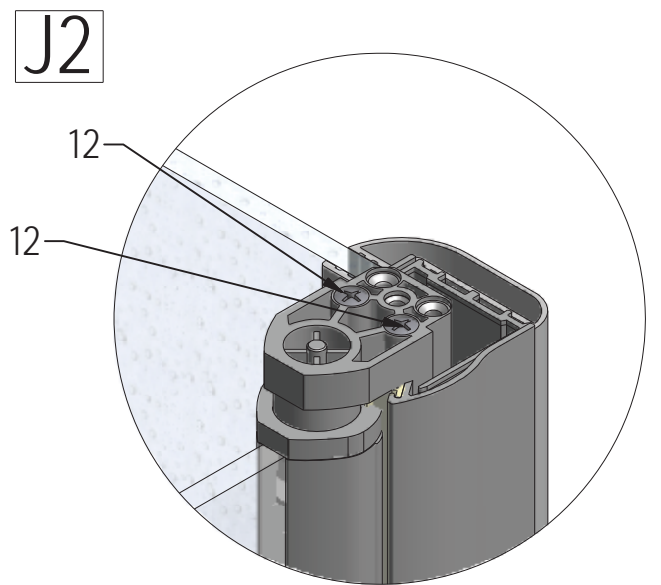
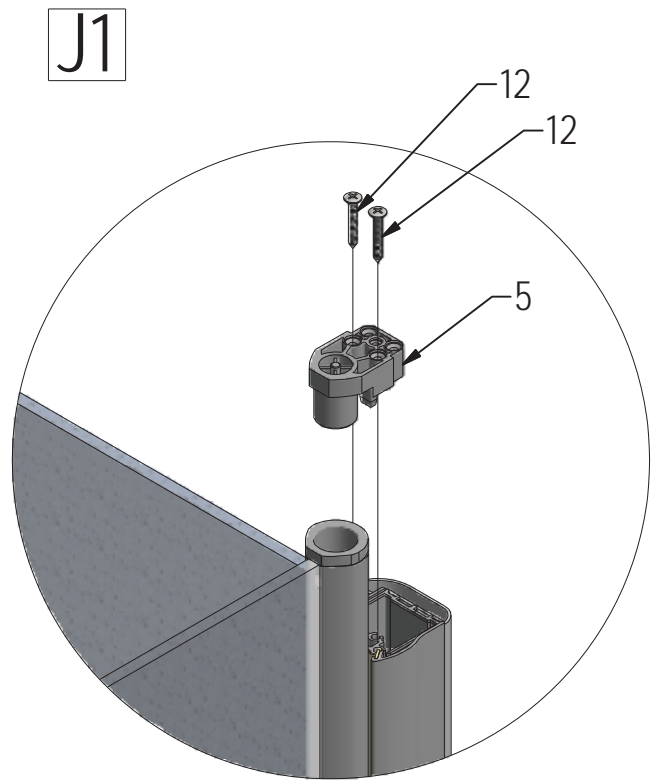
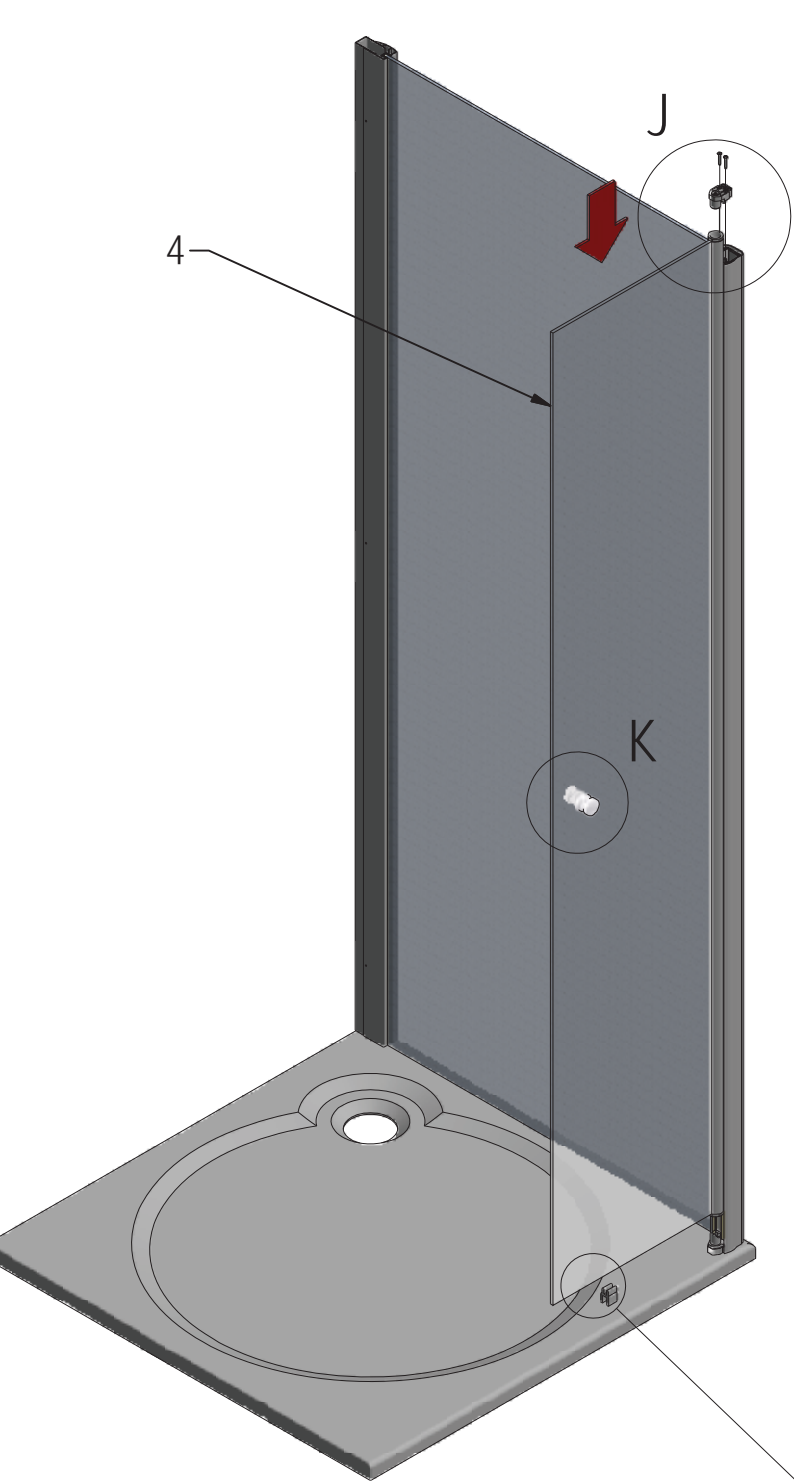


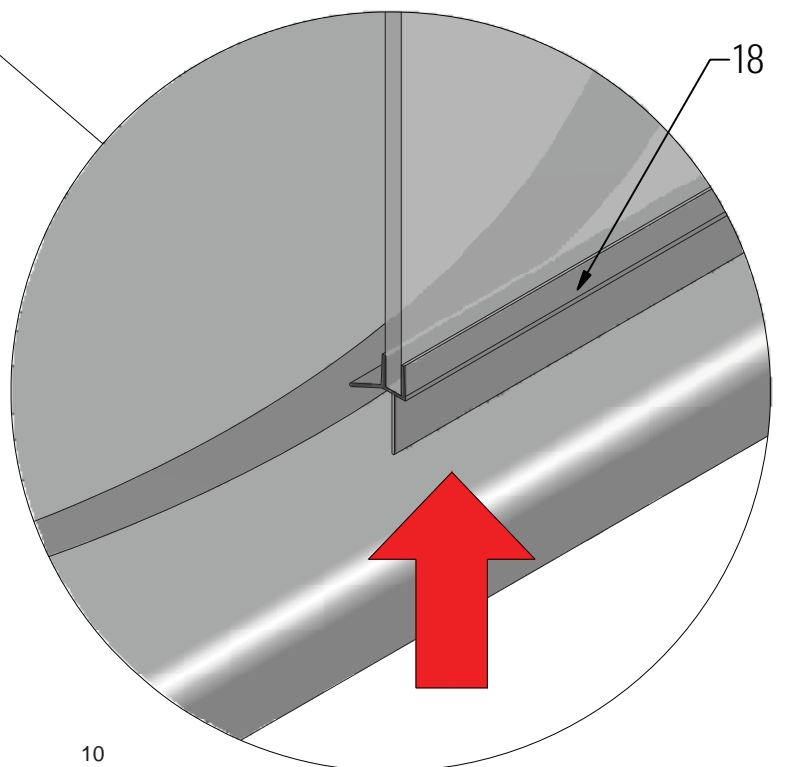
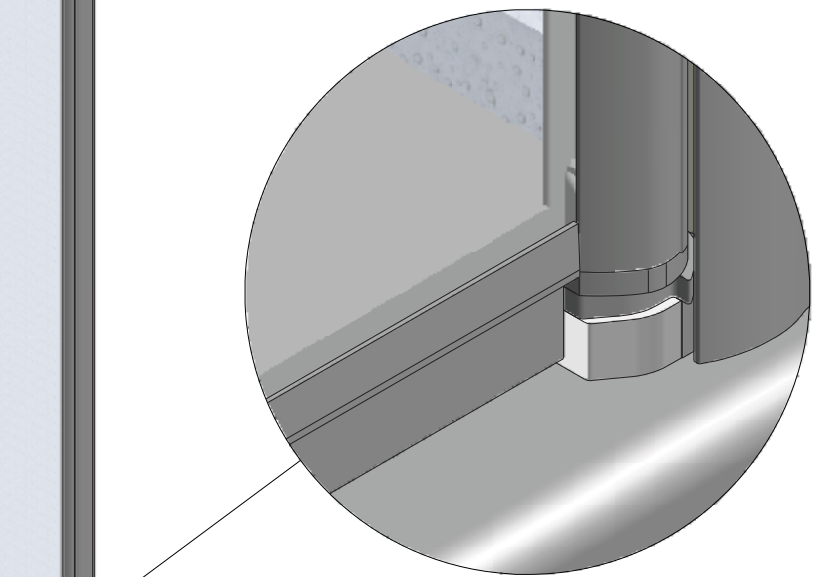
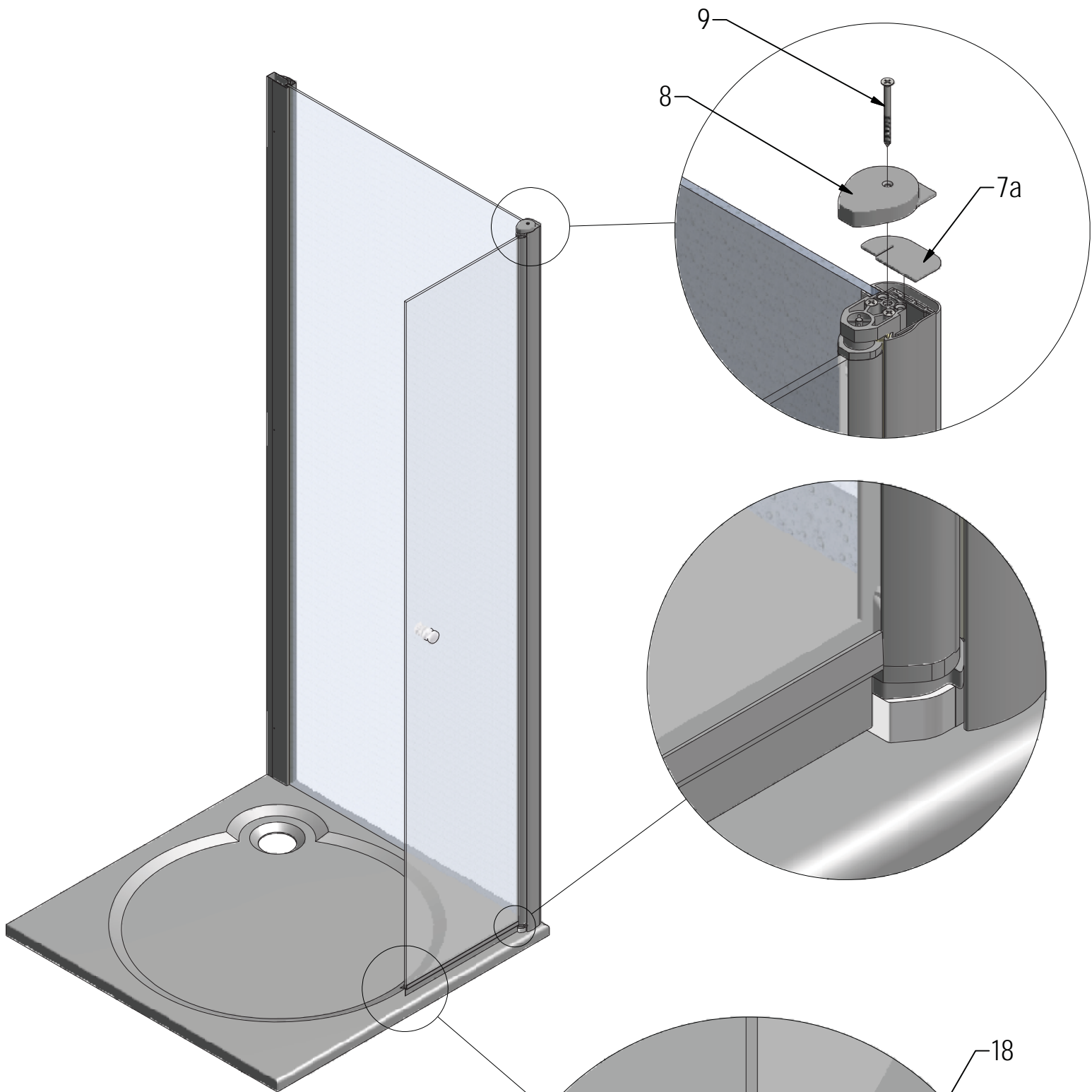
I2



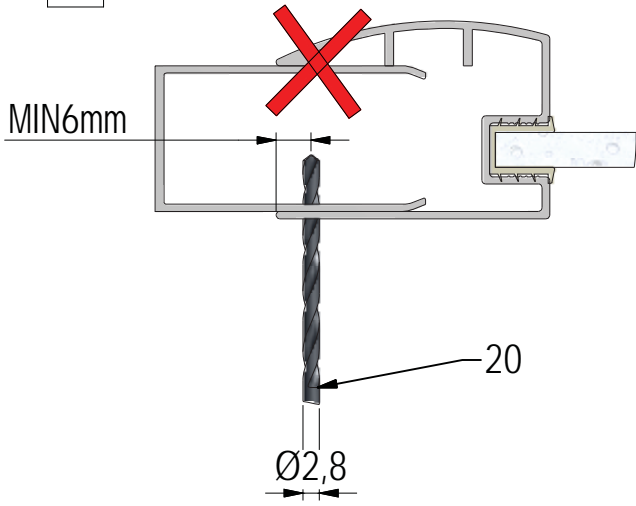
I1



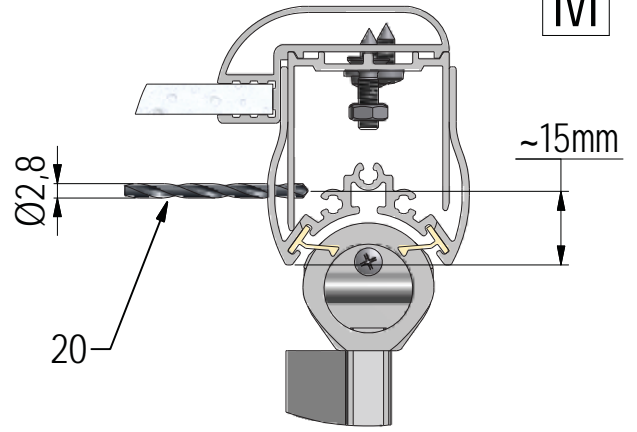




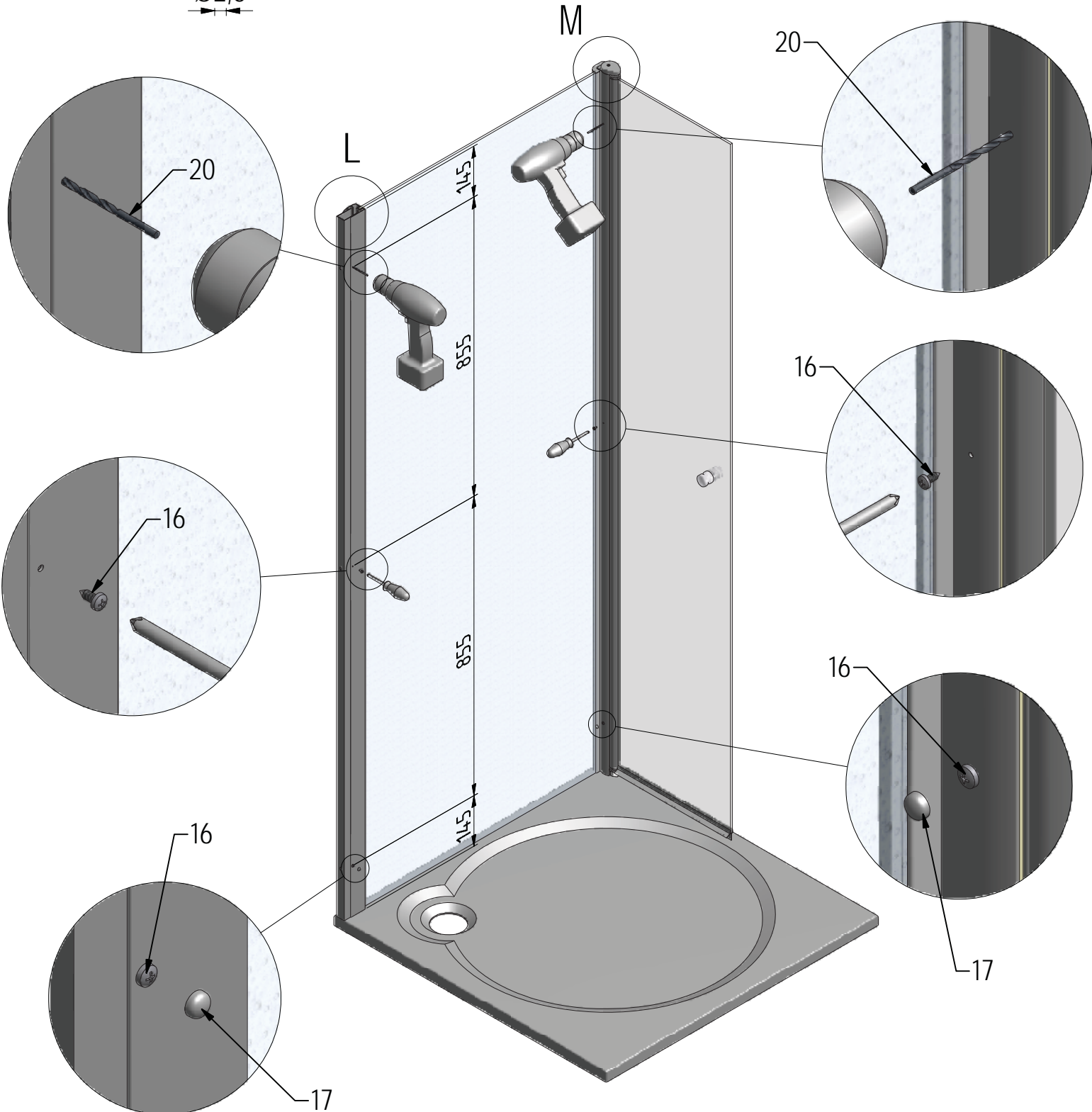
L



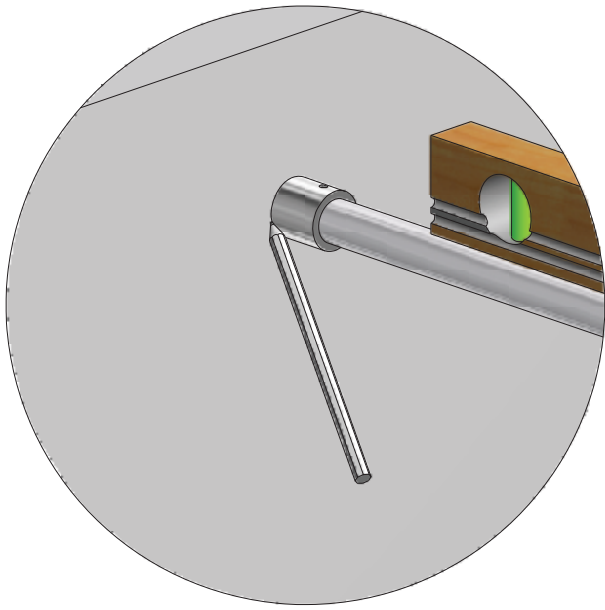
M



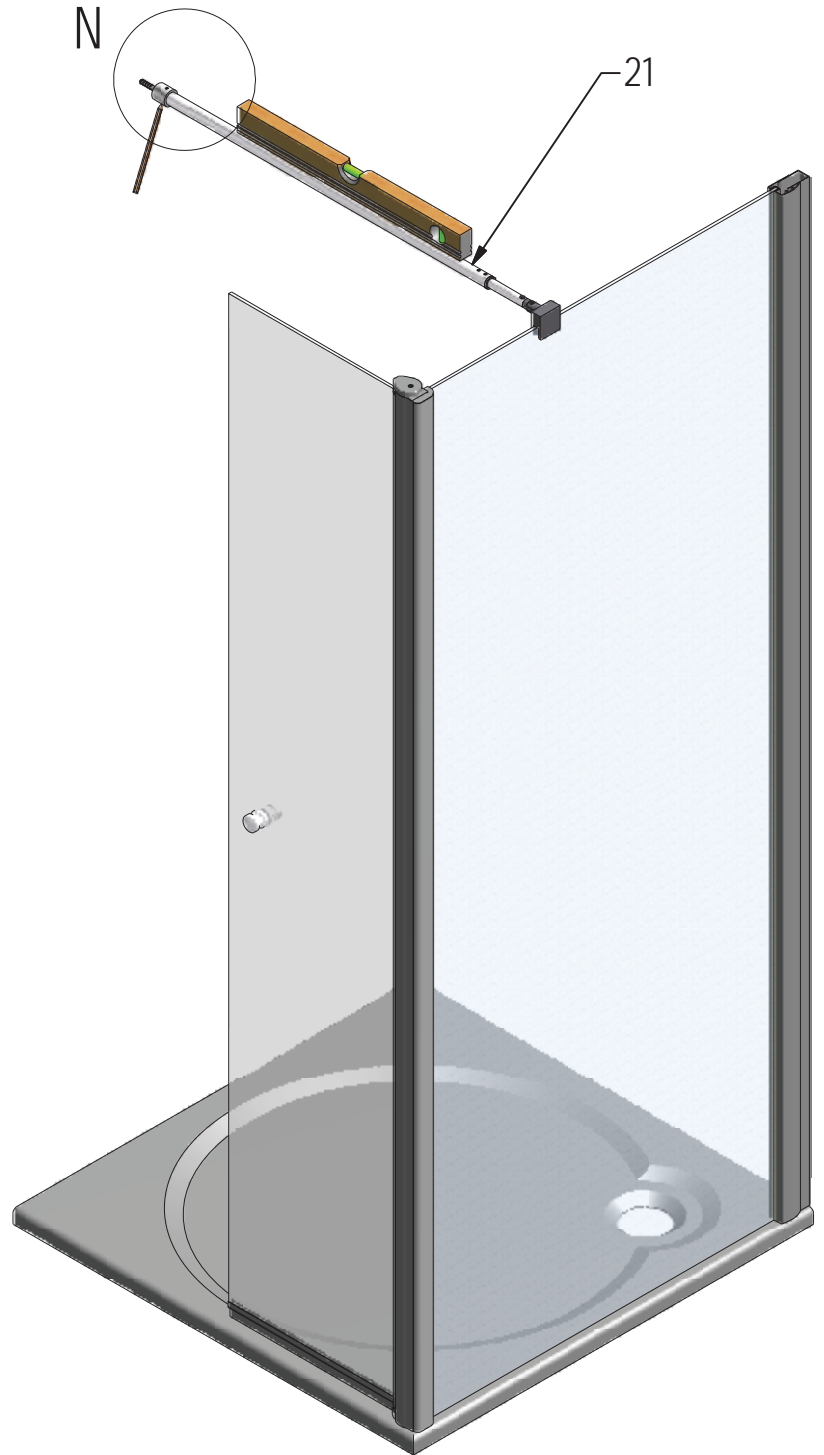
M



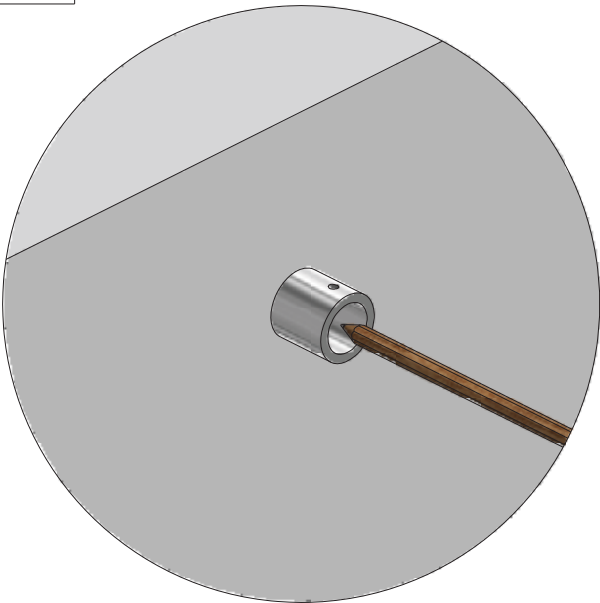
N1



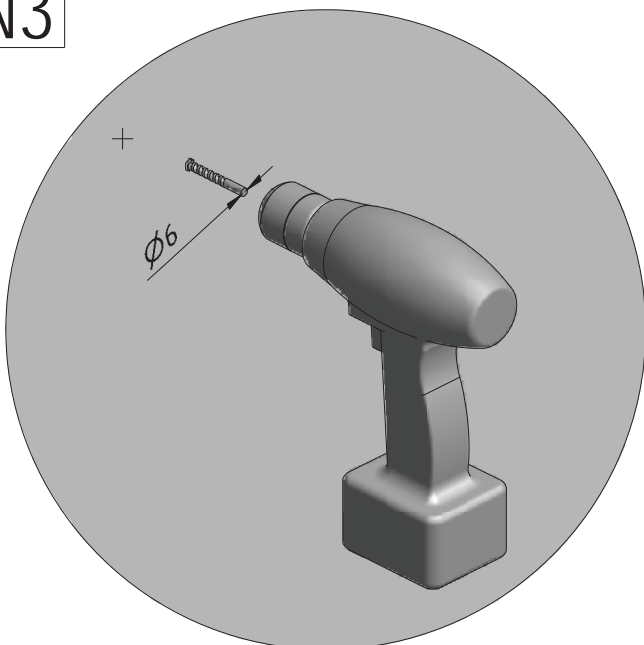
N



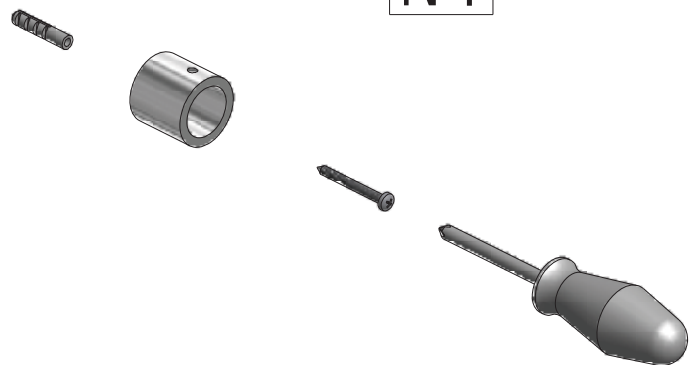
N2



N3



N4



0

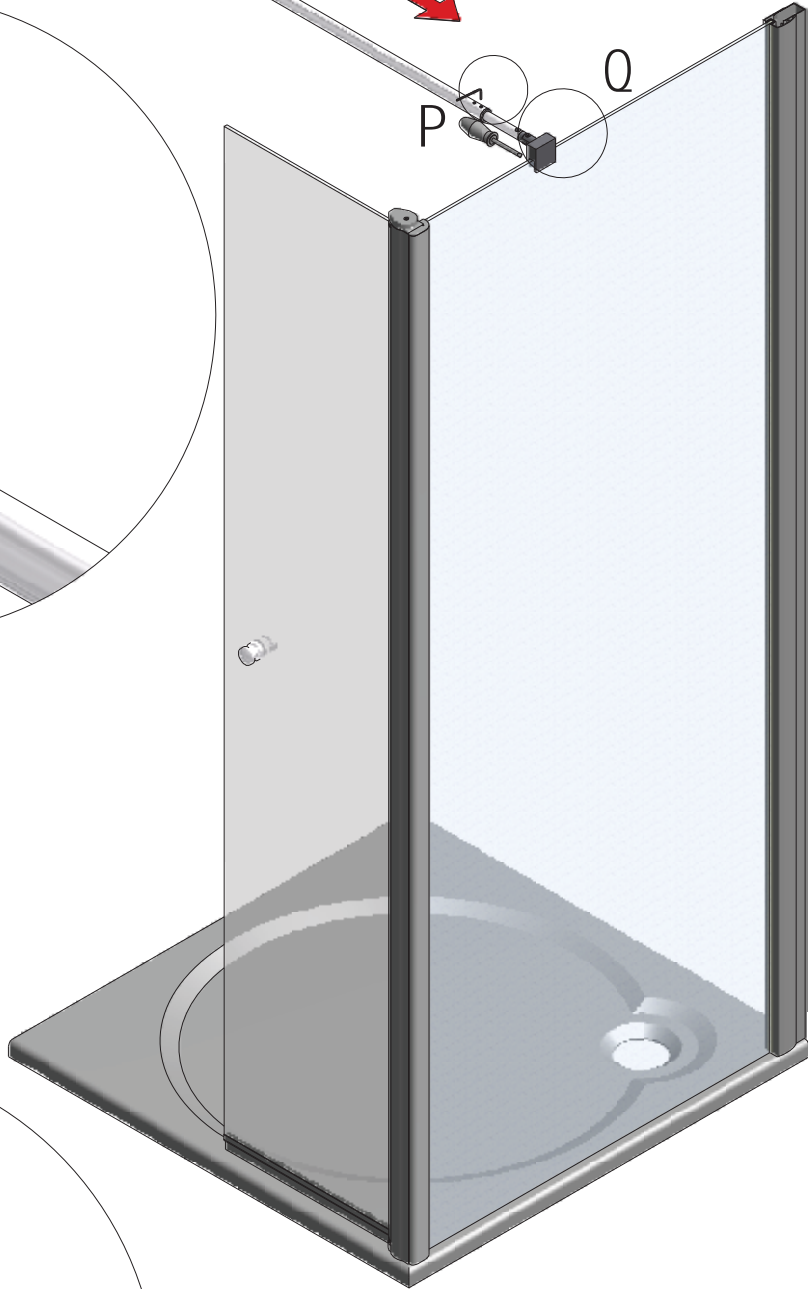


0



P

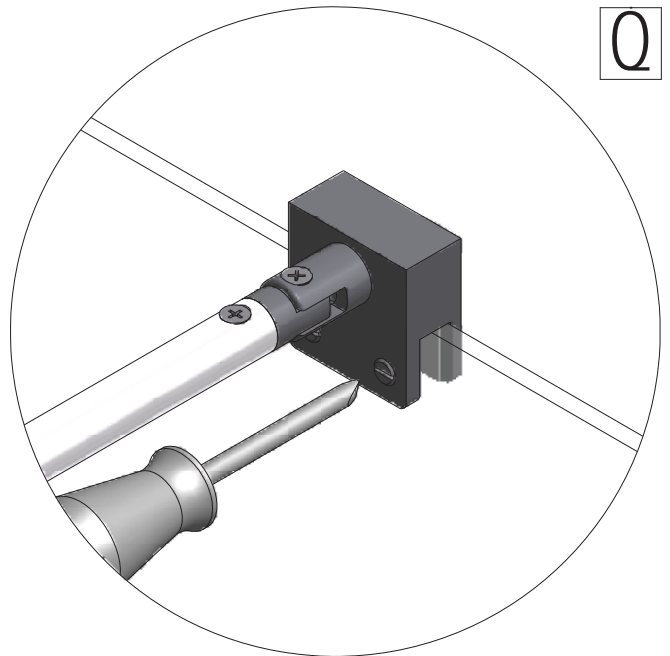
Q

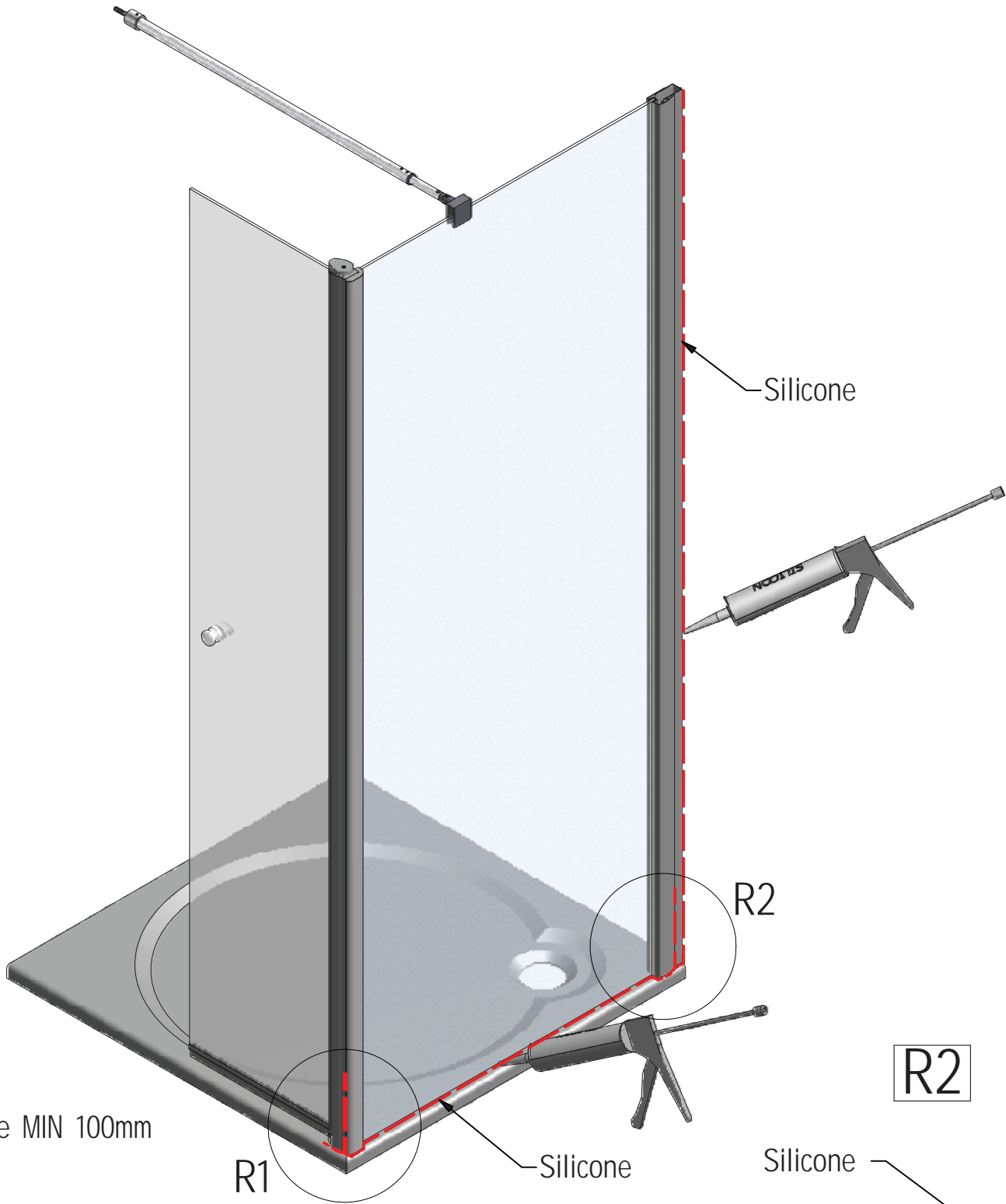


P



Q





R1

Silicone MIN 100mm

R1

Silicone

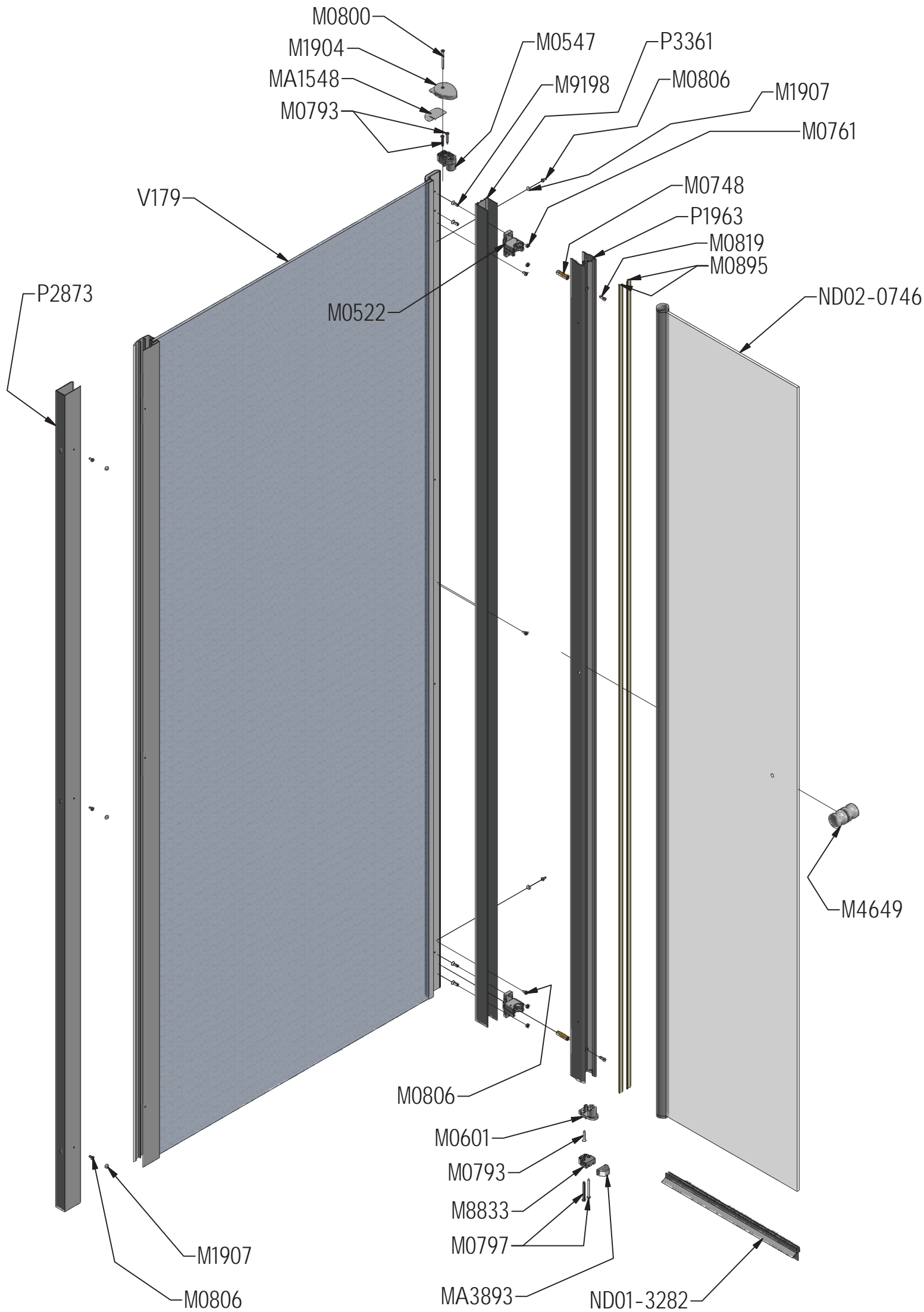
Silicone

R2

Silicone MIN 100mm

Silicone

Silicone



V179	800	clear glass+brillant	ND03-0665-00-02
	900	clear glass+brillant	ND03-0666-00-02
	1000	clear glass+brillant	ND03-0667-00-02
	1200	clear glass+brillant	ND03-0668-00-02
	1400	clear glass+brillant	ND03-0669-00-02