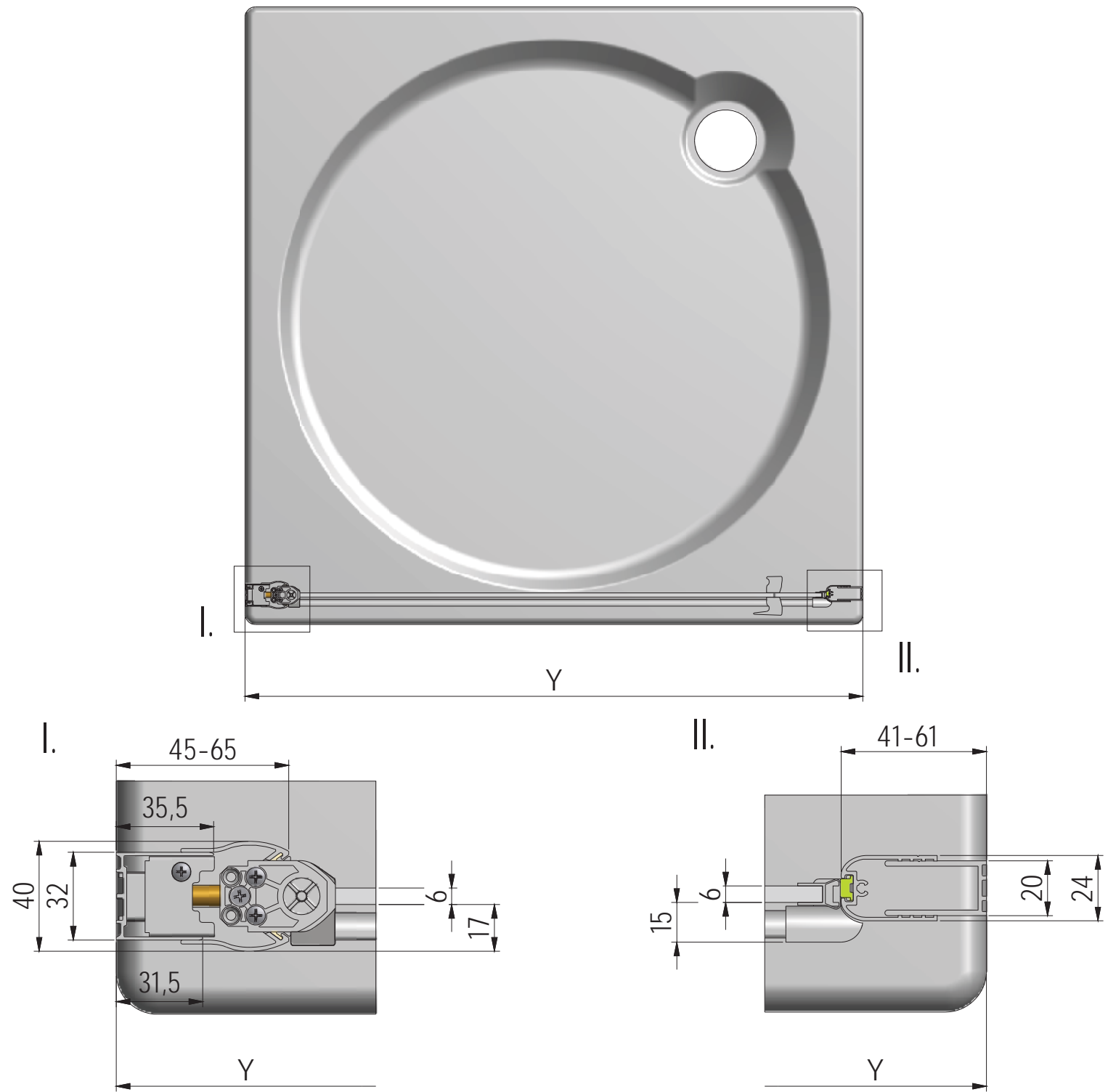
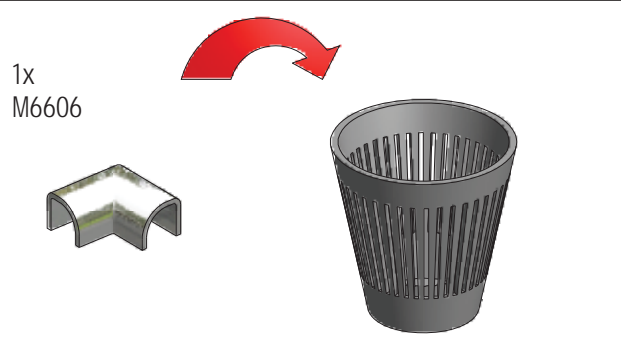
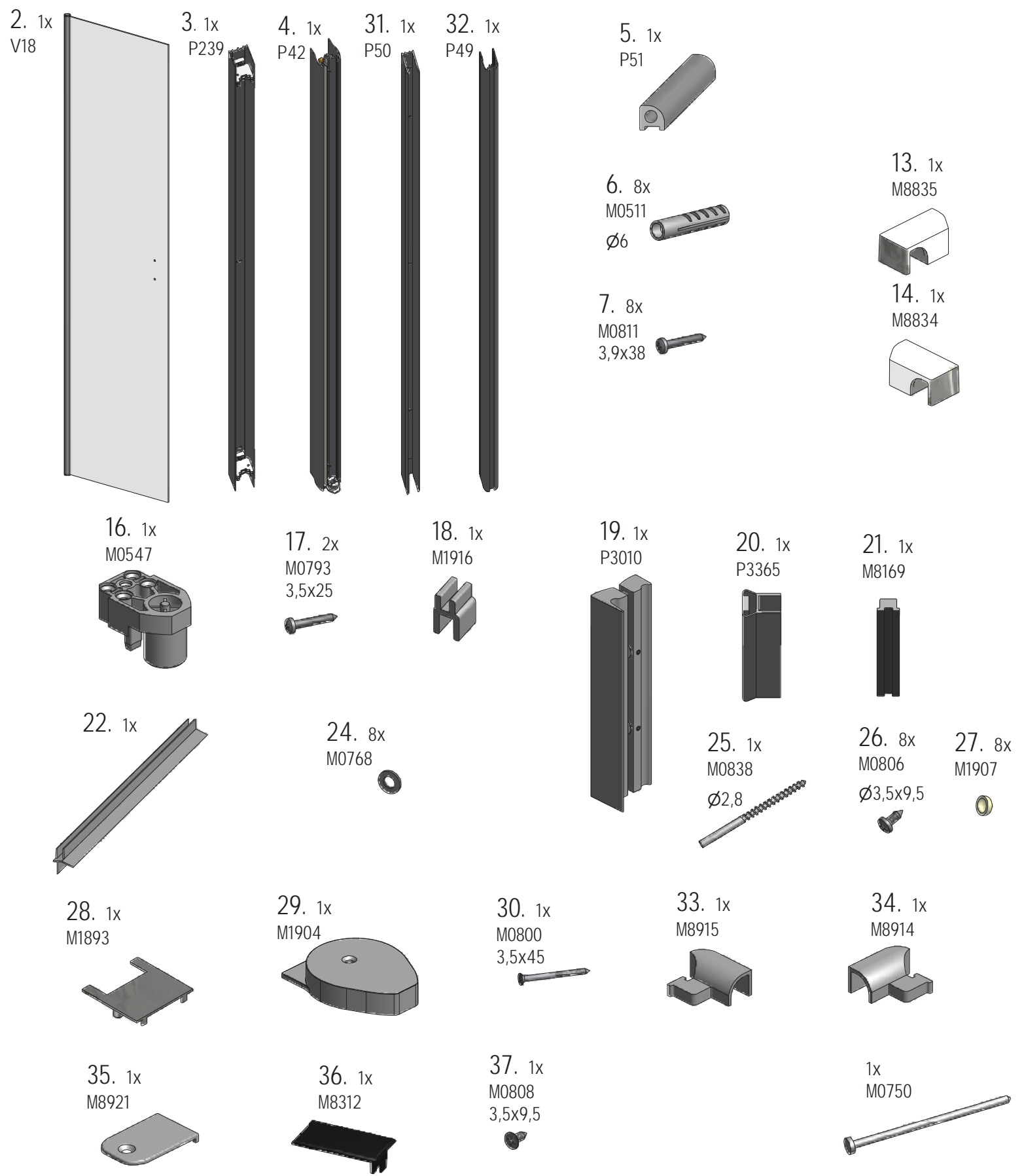


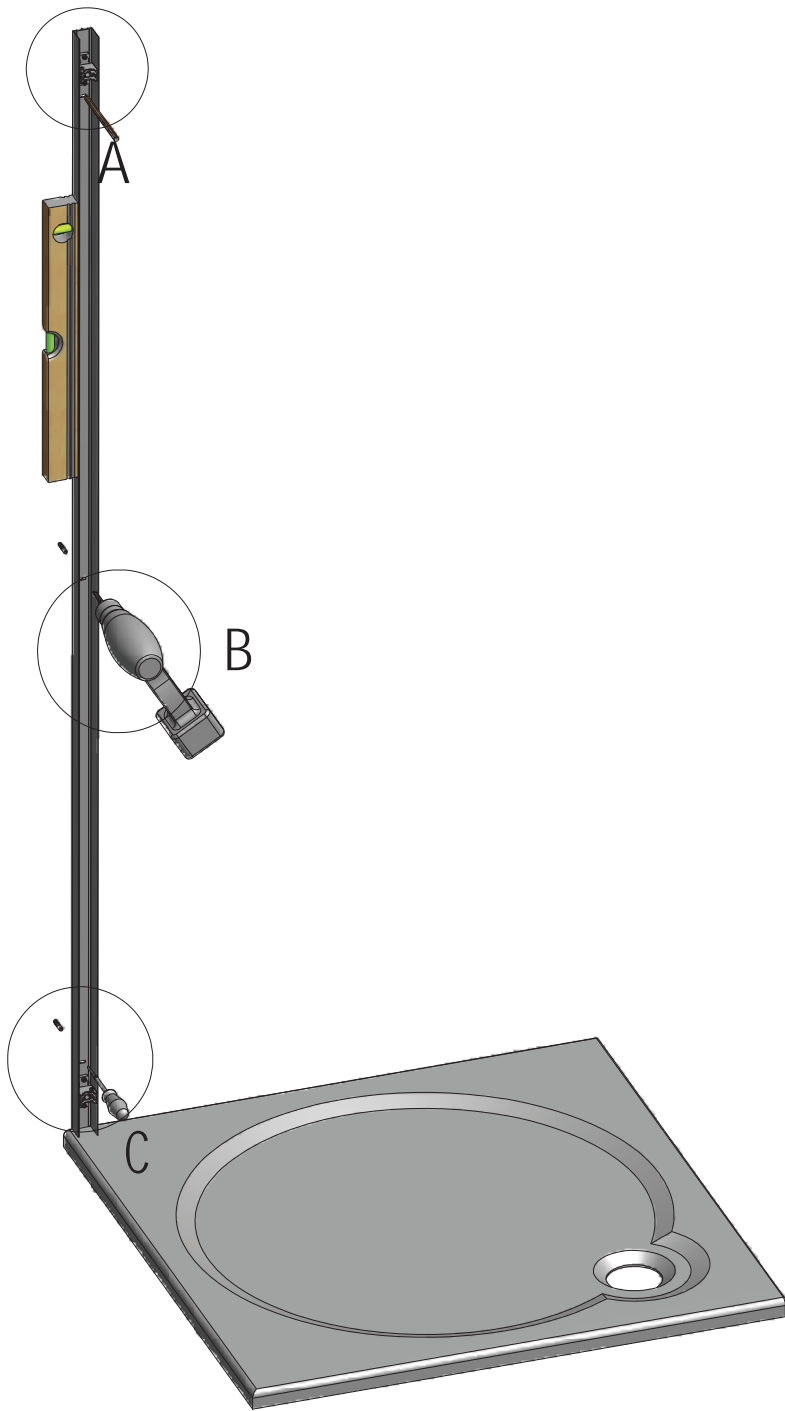
TCN1



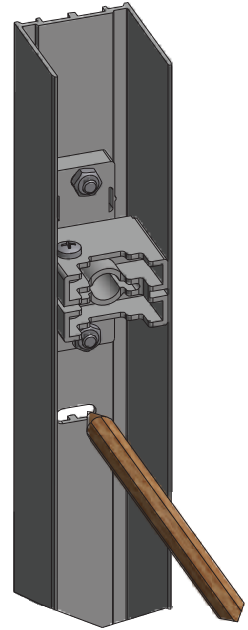


TCN1	Y (mm)	
	MIN	MAX
800	775	810
900	875	910
1000	975	1010

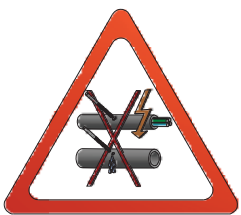
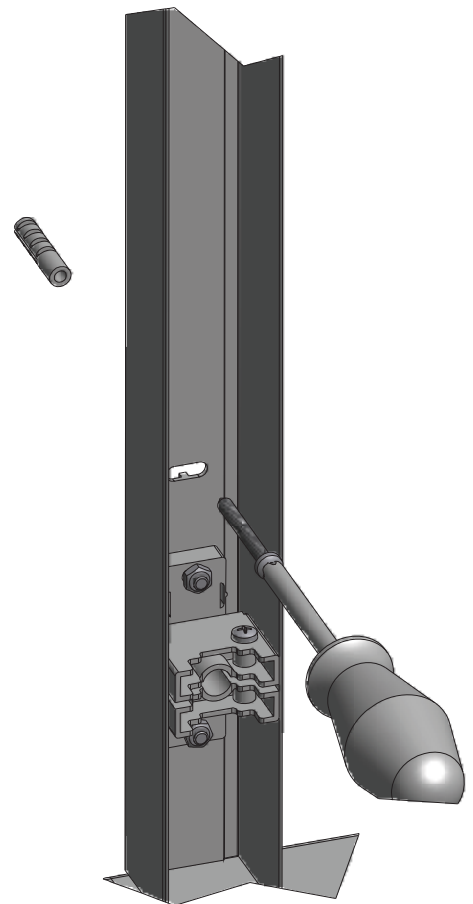




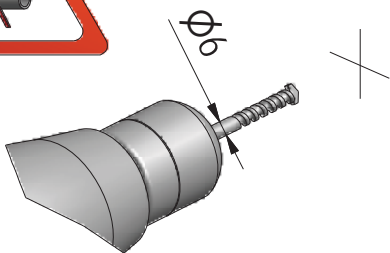
A (1 : 2)



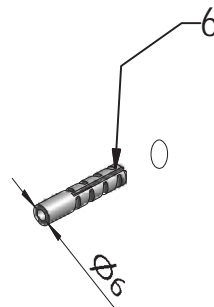
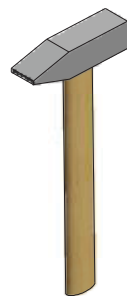
C (1 : 2)

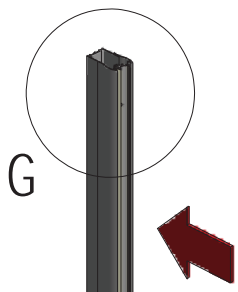


B1



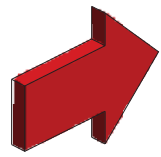
B2



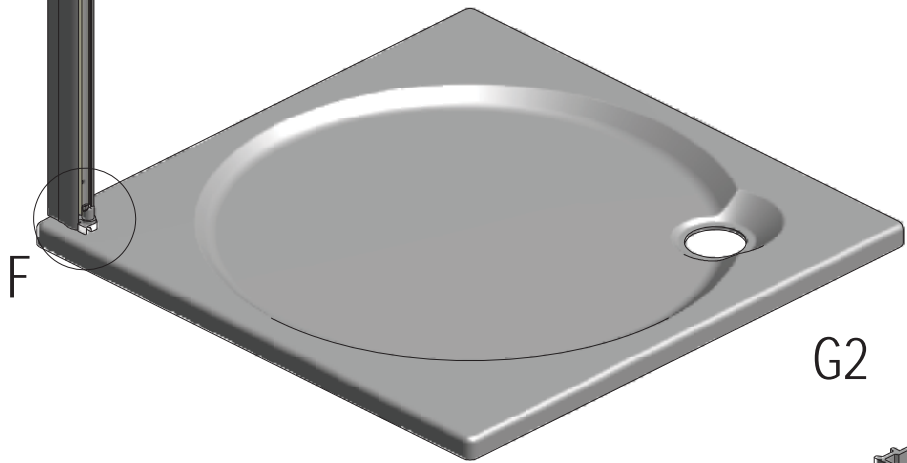
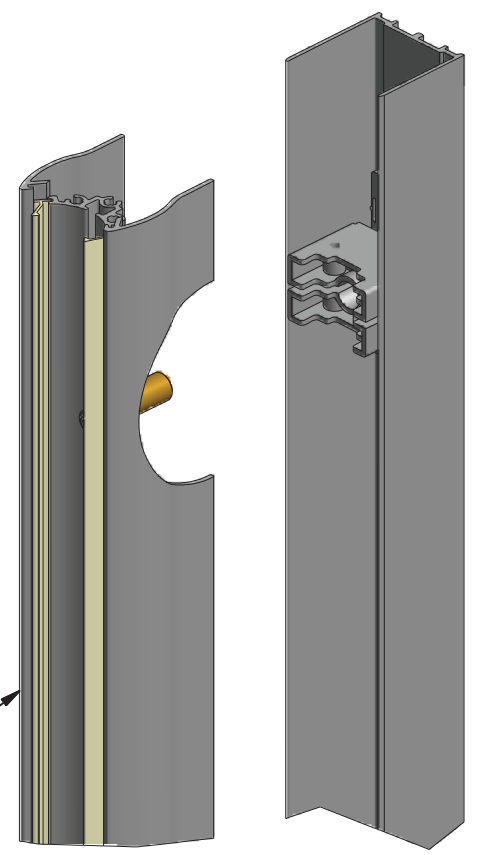


G

G1



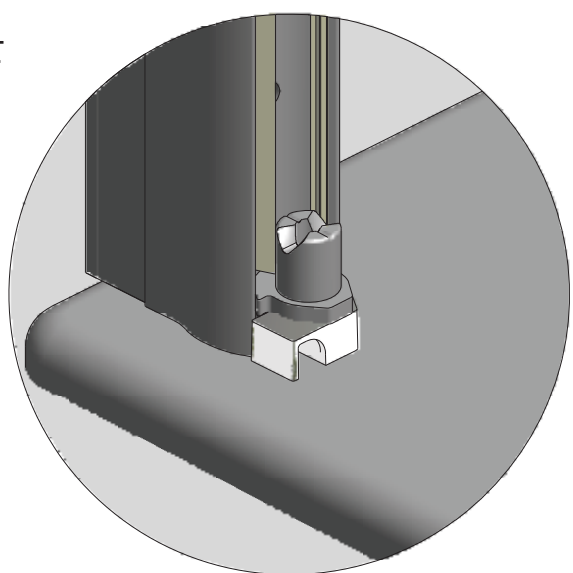
4



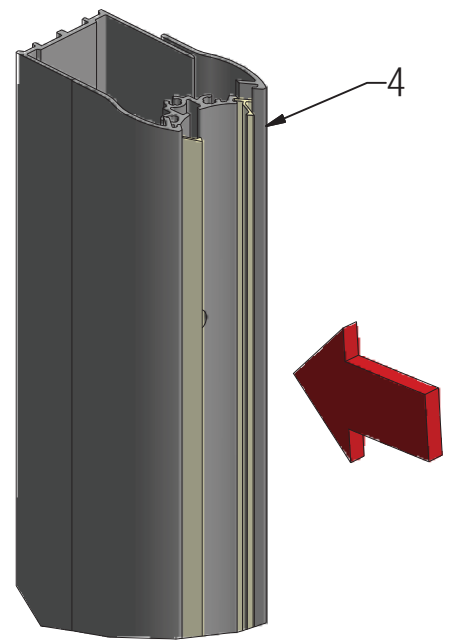
F

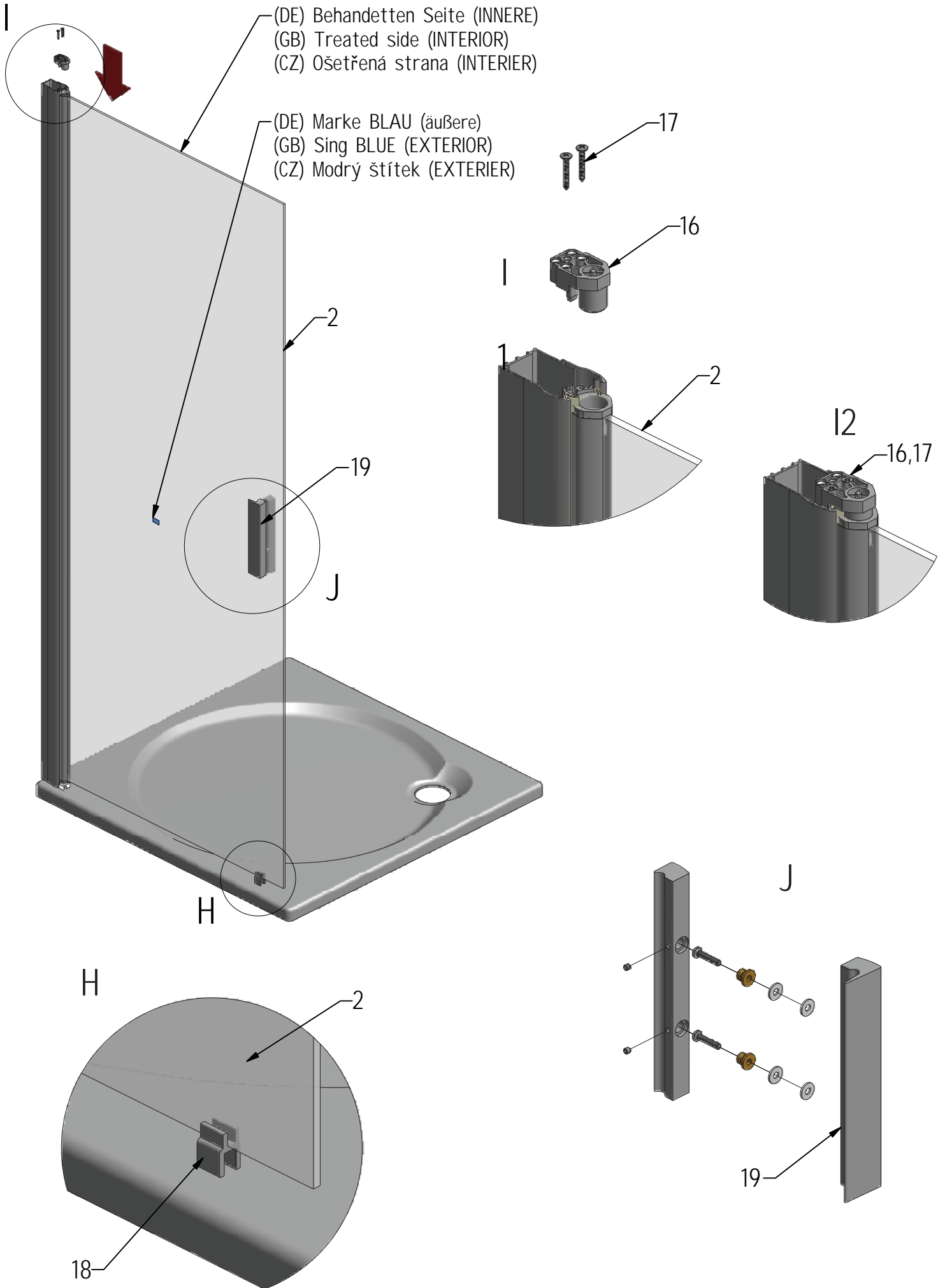
G2

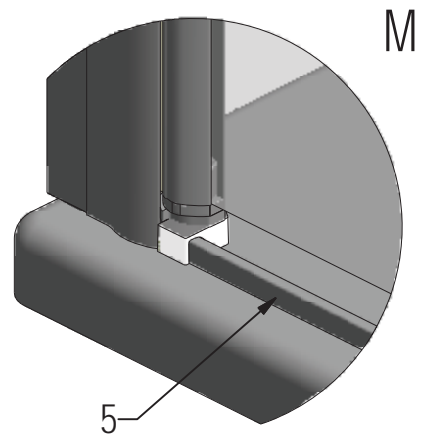
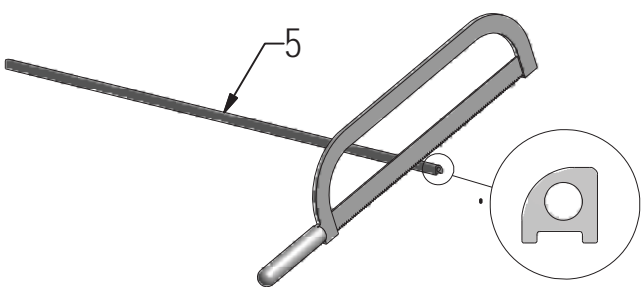
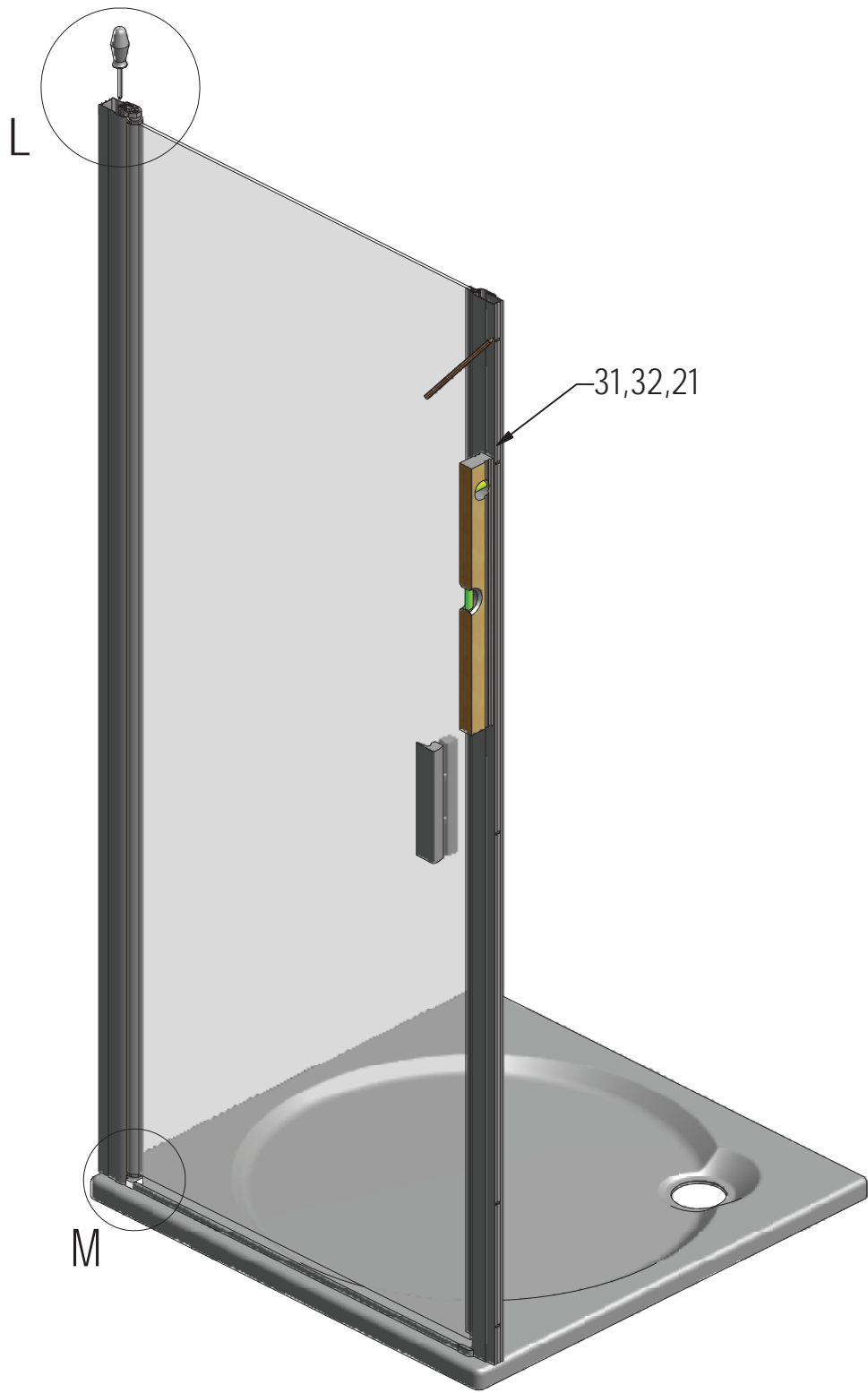
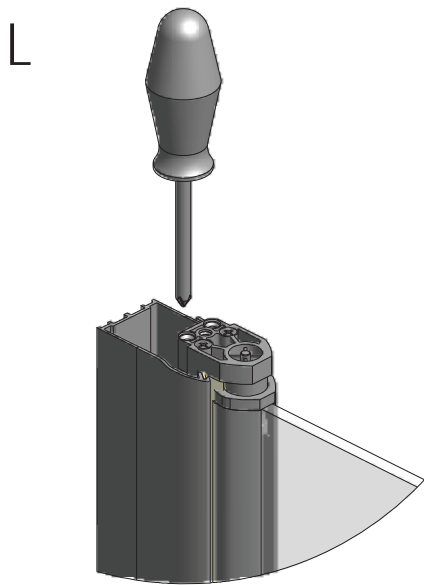
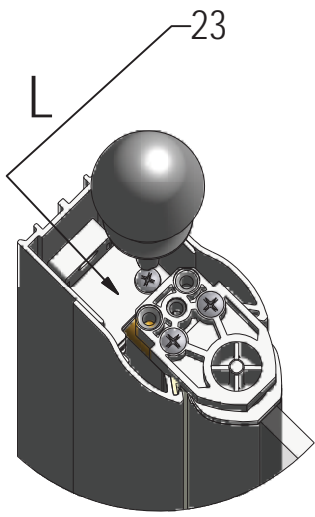
F

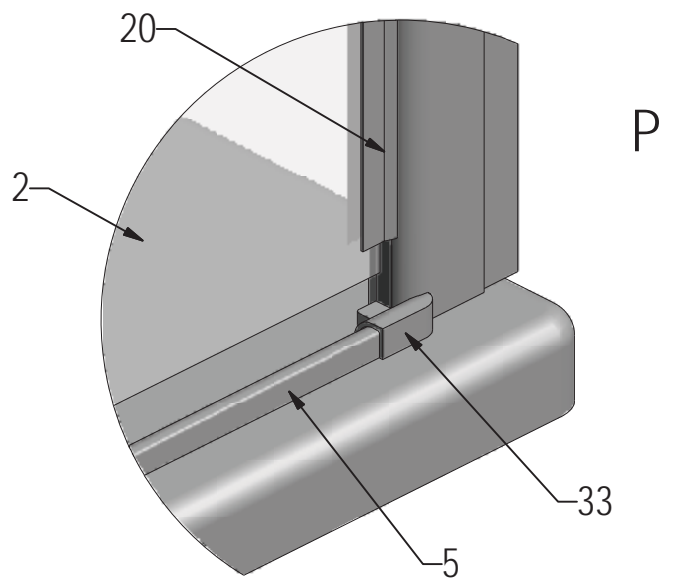
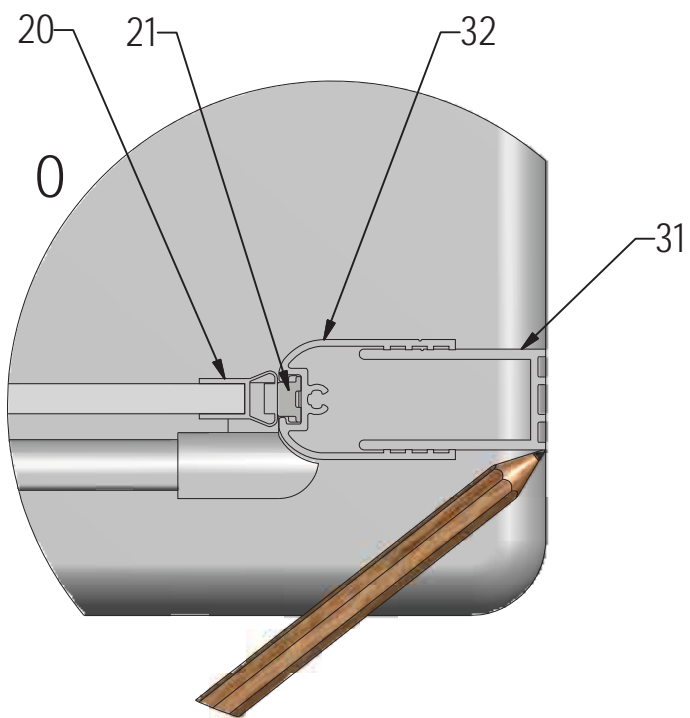
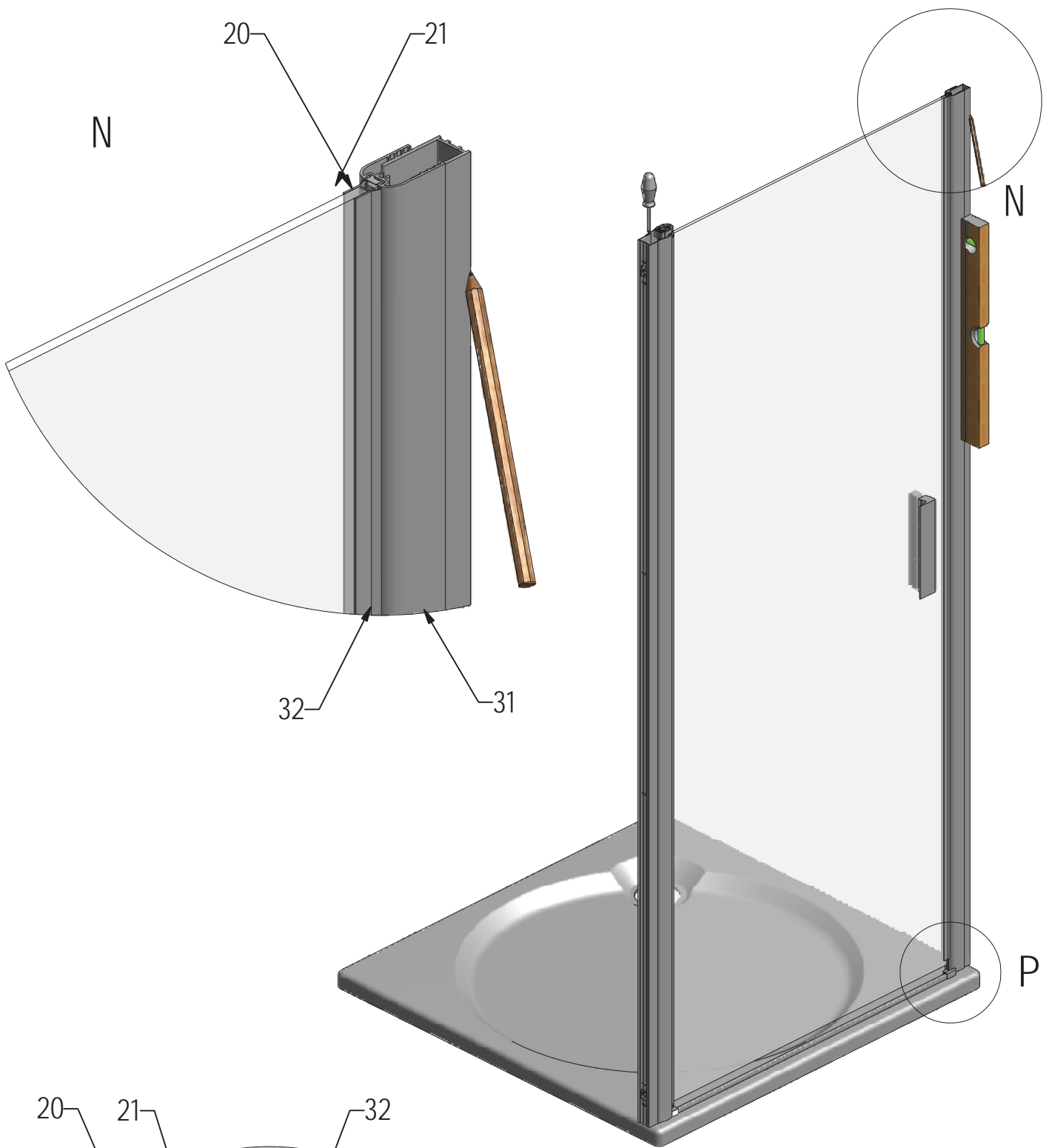


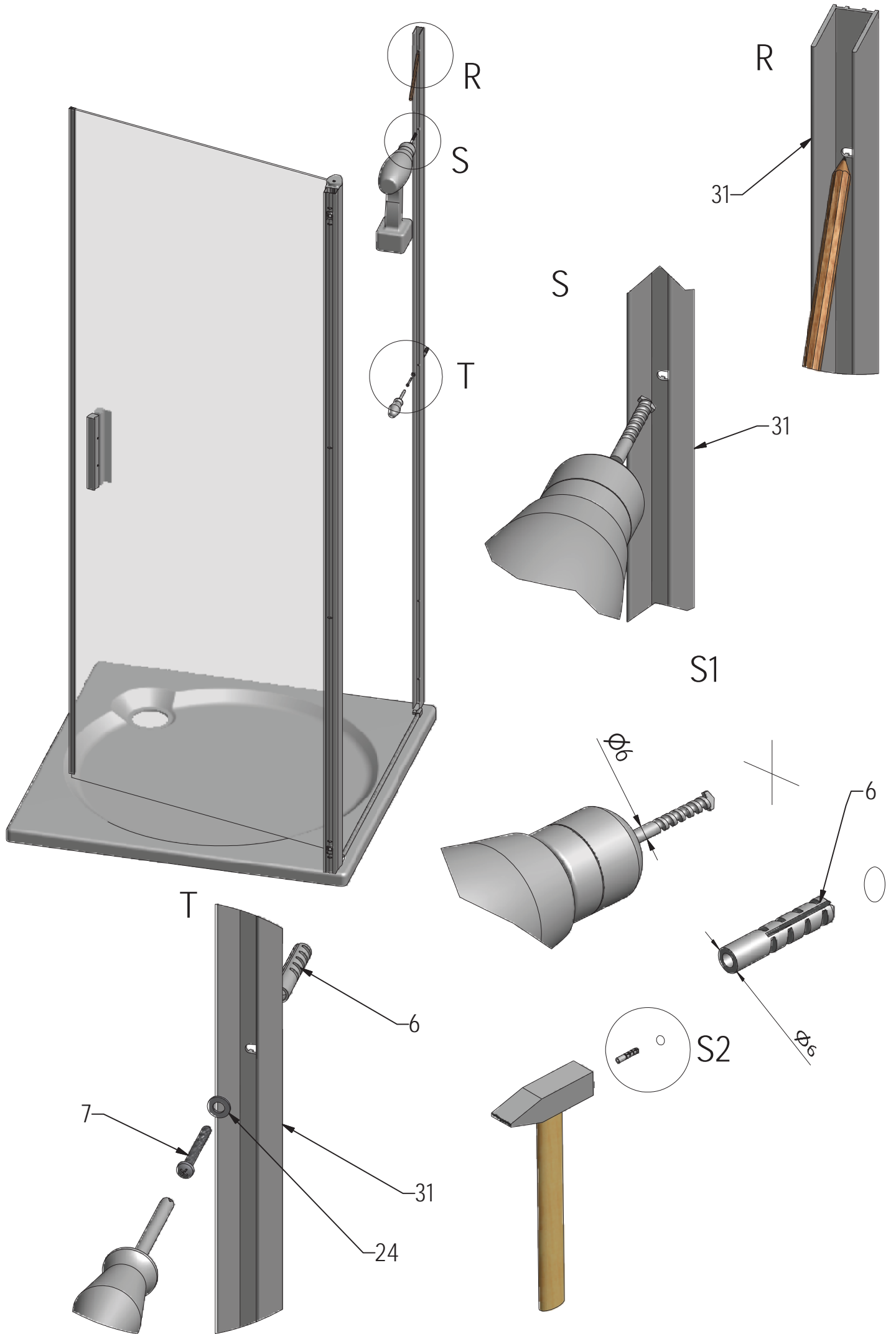
4

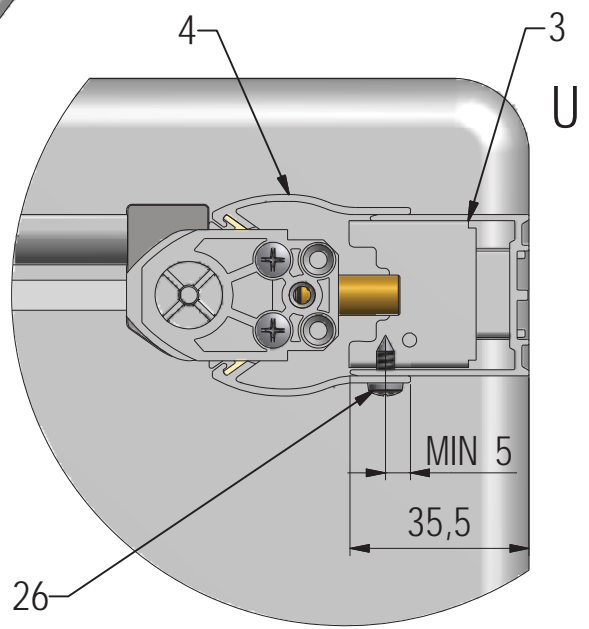
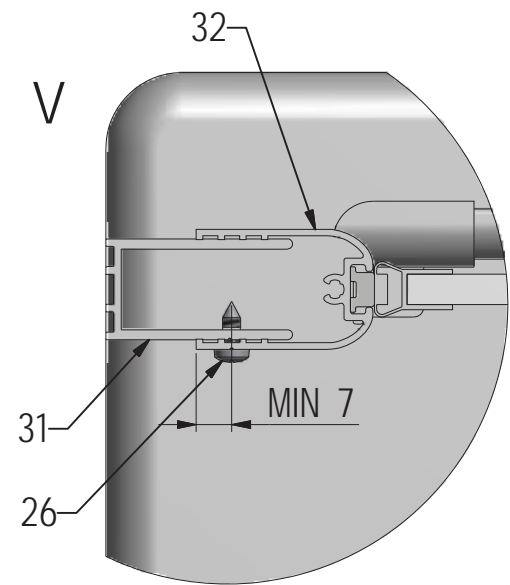
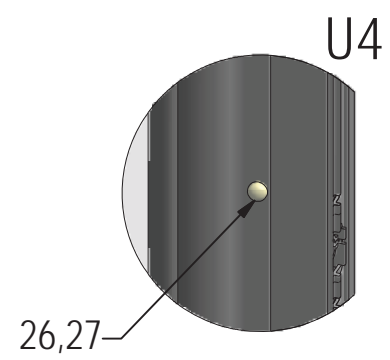
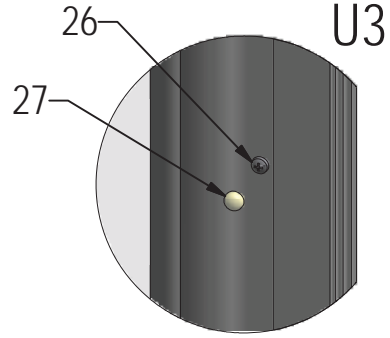
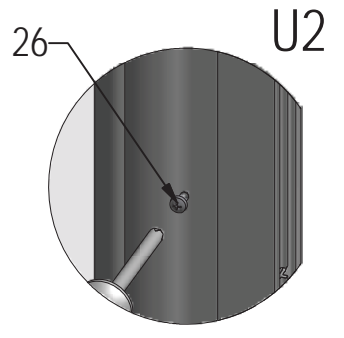
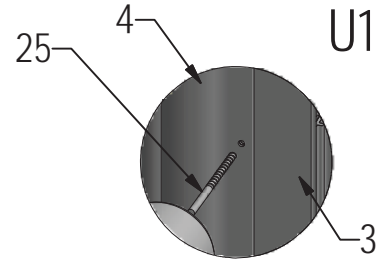
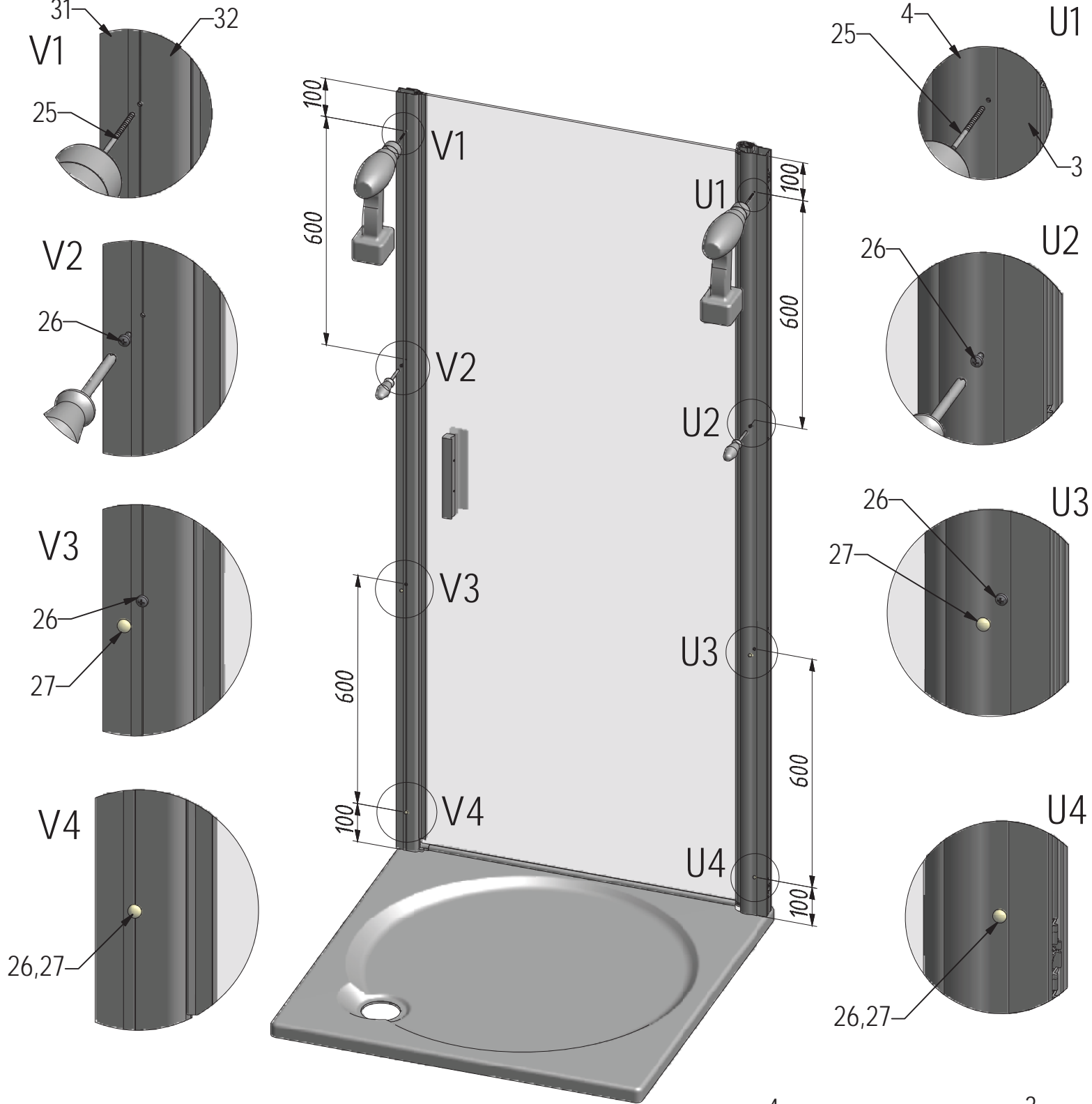


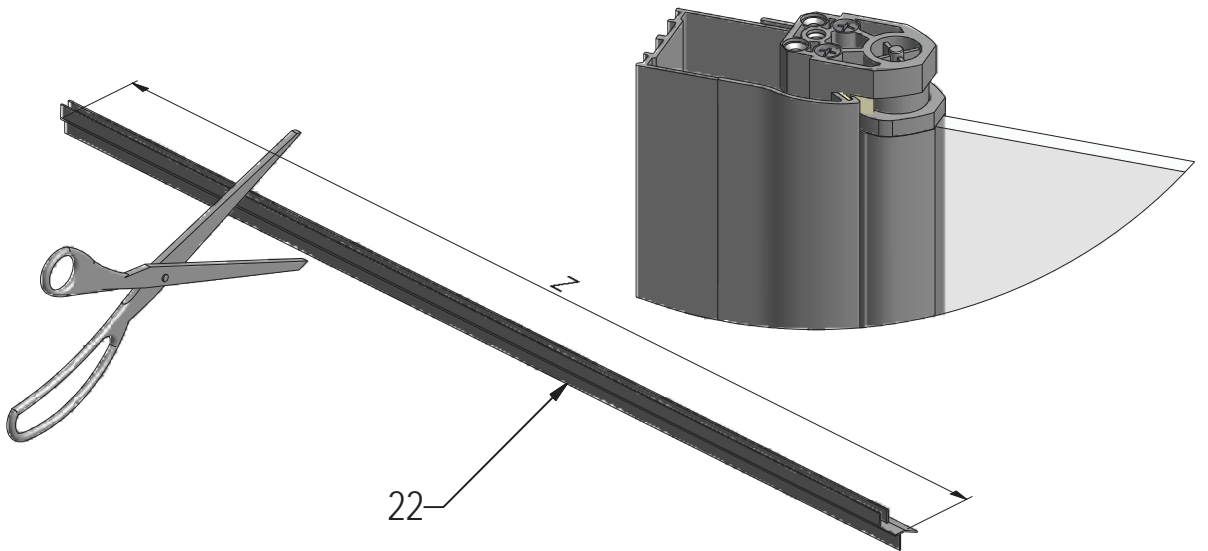
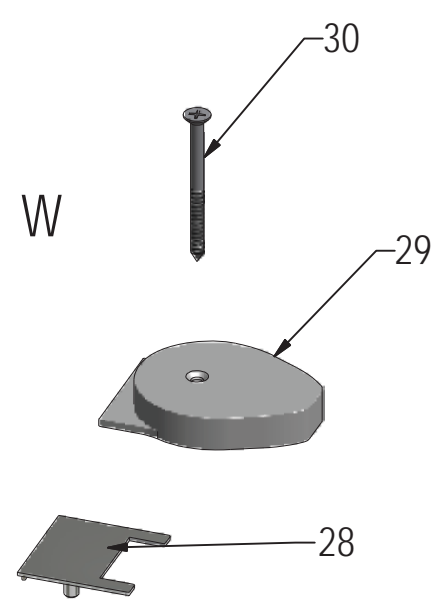
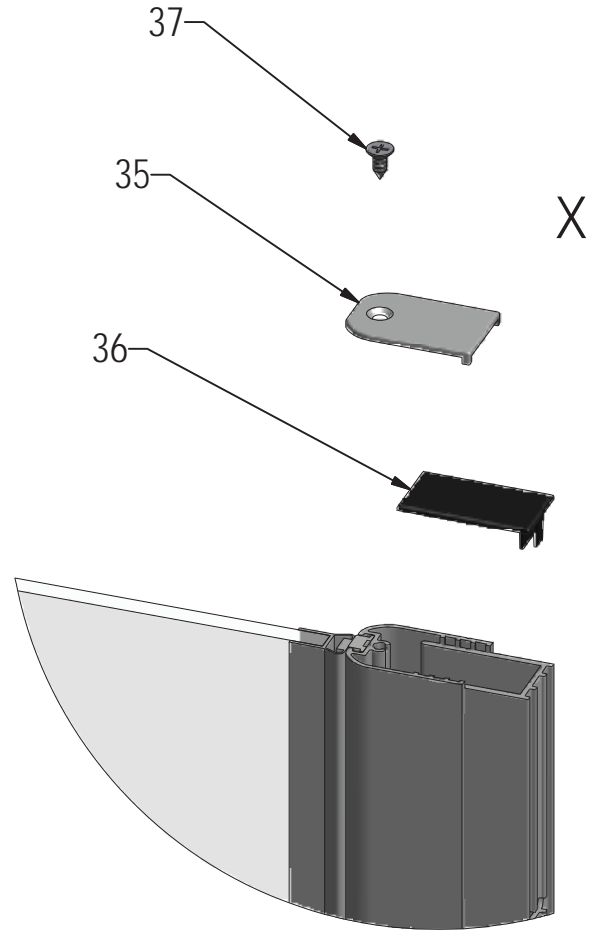


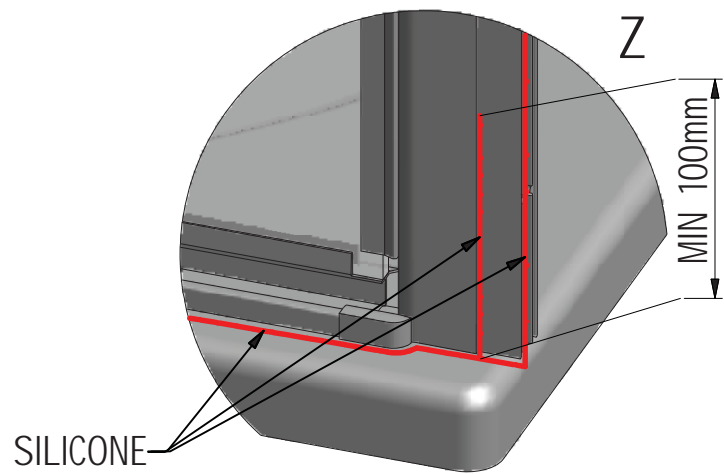
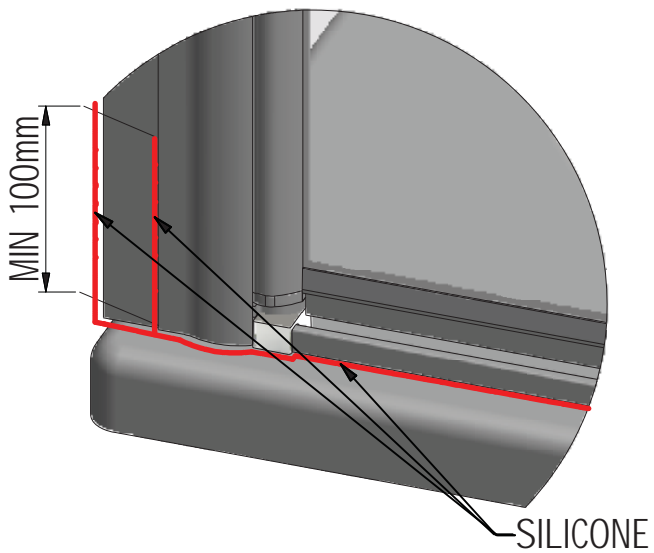




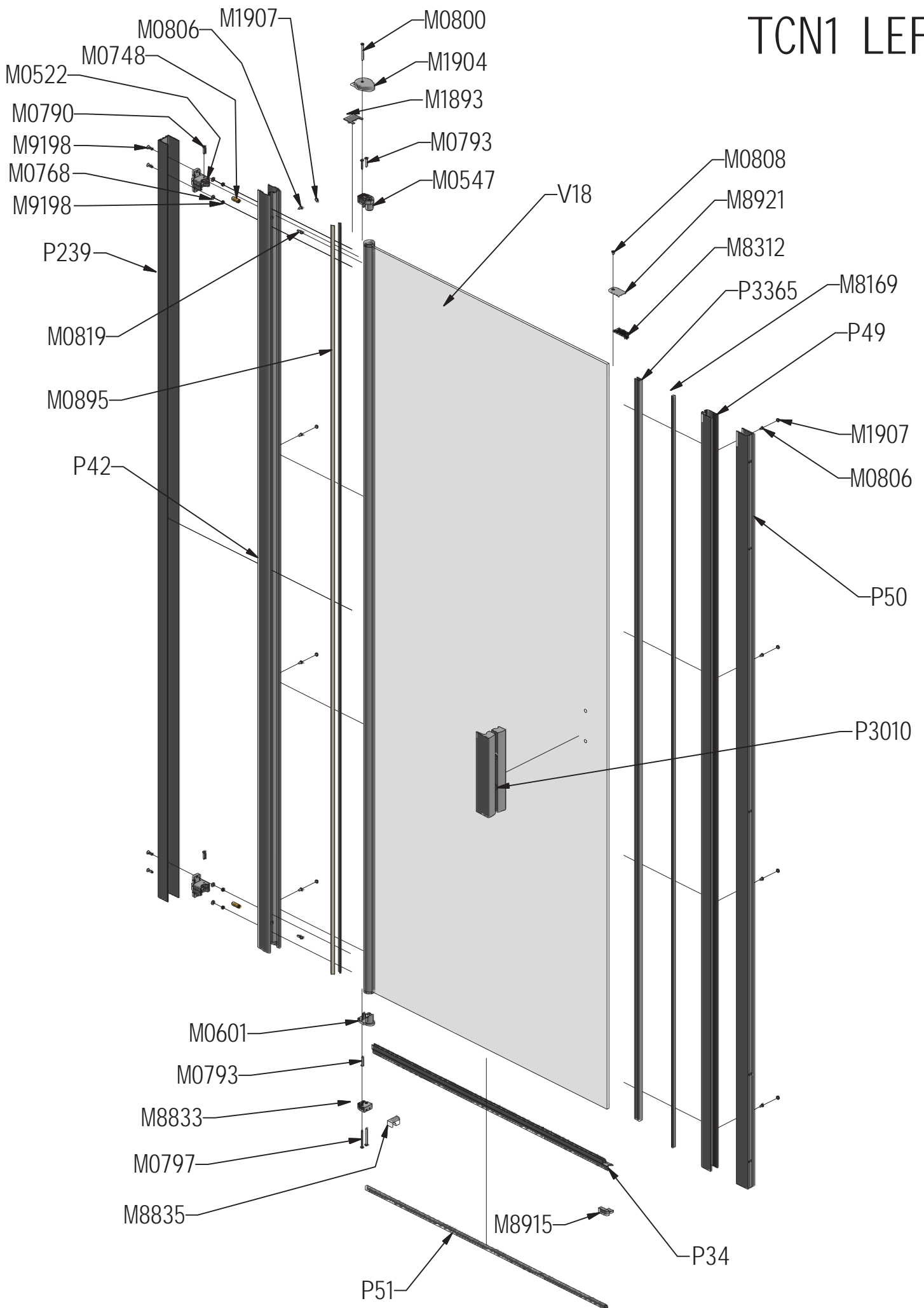




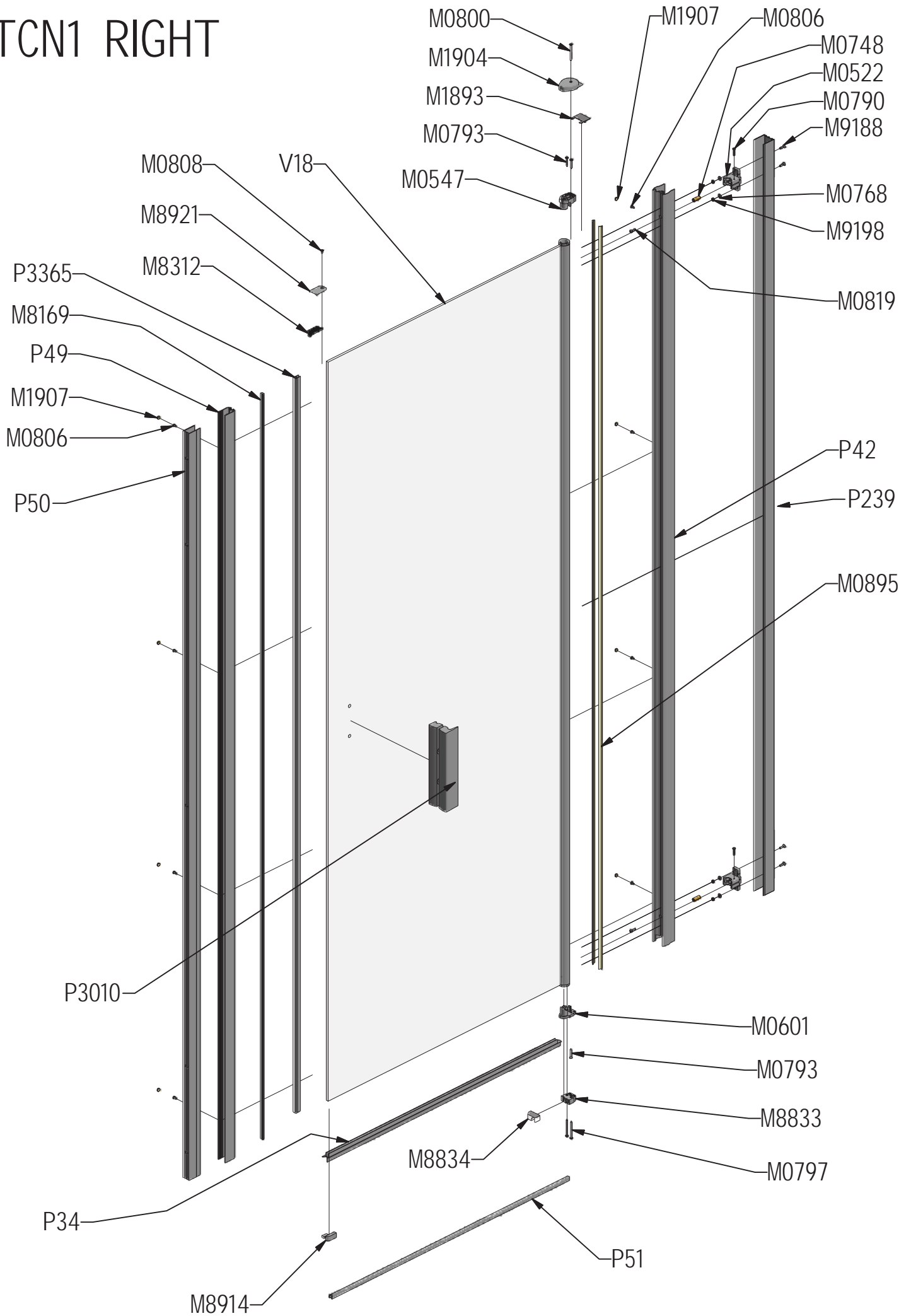




TCN1 LEFT



TCN1 RIGHT



P34				ND01-2420
P239		brillant		P3361
		stříbro		P3927
P42		brillant		P1963
		elox		P1962
P49		brillant		P2698
		elox		P2699
P50		brillant		P2700
		elox		P2701
P51	800			ND01-2238-8
	900			ND01-2238-9
	1000			ND01-2238-1
V18	800	brillant+clear glass	brillant+čiré sklo	ND02-0514-00-02
		brillant+intima glass	brillant+intima	ND02-0514-00-20
		elox+clear glass	elox+čiré sklo	ND02-0514-01-02
		elox+intima glass	elox+intima	ND02-0514-01-20
	900	brillant+clear glass	brillant+čiré sklo	ND02-0515-00-02
		brillant+intima glass	brillant+intima	ND02-0515-00-20
		elox+clear glass	elox+čiré sklo	ND02-0515-01-02
		elox+intima glass	elox+intima	ND02-0515-01-20
	1000	brillant+clear glass	brillant+čiré sklo	ND02-0516-00-02
		brillant+intima glass	brillant+intima	ND02-0516-00-20
		elox+clear glass	elox+čiré sklo	ND02-0516-01-02
		elox+intima glass	elox+intima	ND02-0516-01-20