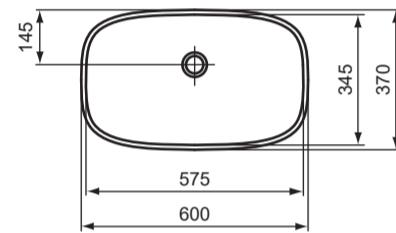
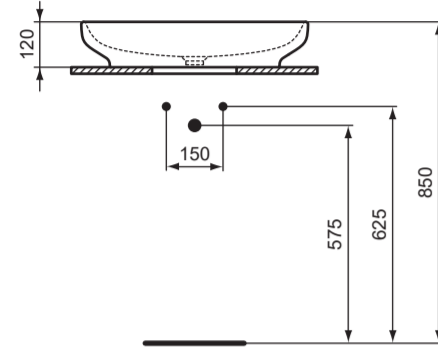




Ideal Standard

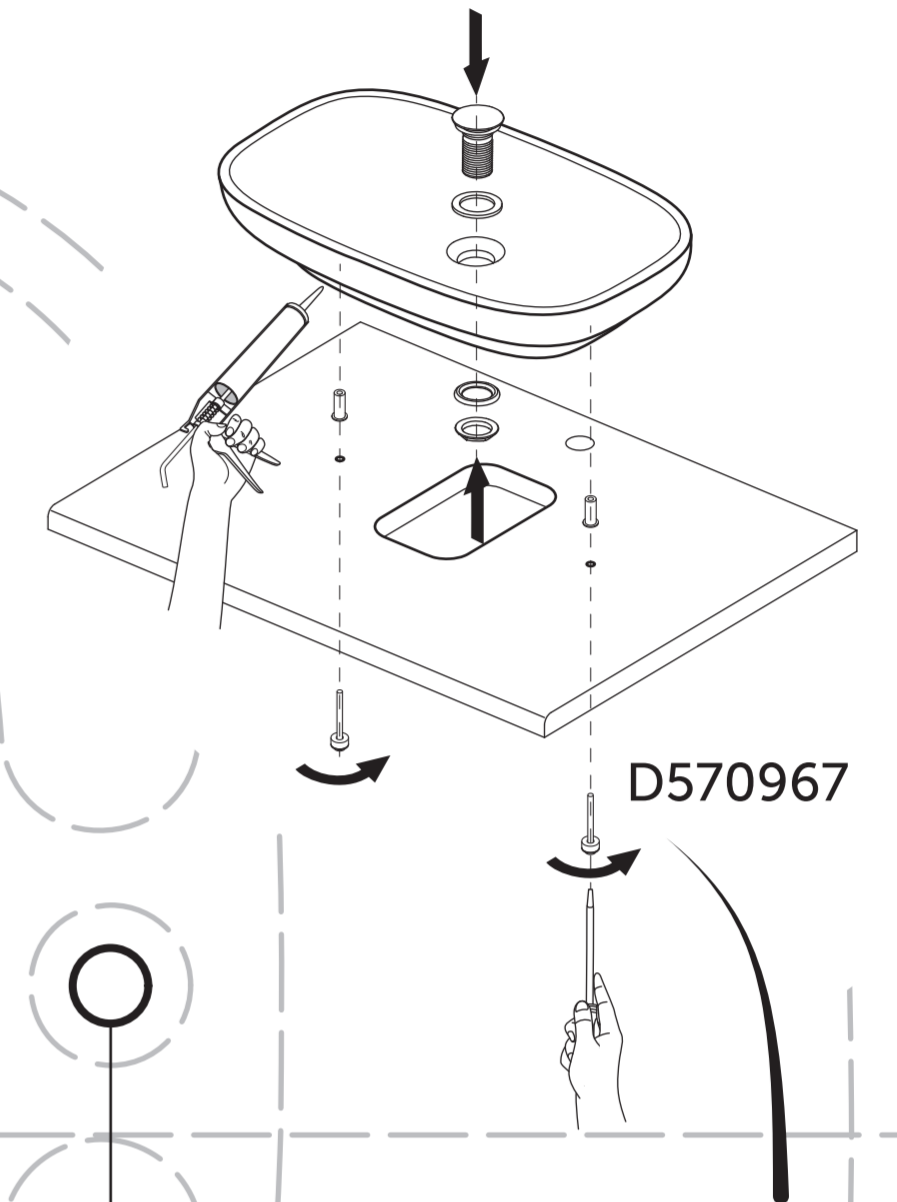


Ø10

225

140

404



D570967

D570967

x 2 x 2 x 2 x 2 x 2 x 2

H, mm

H, mm	6 - 8	9 - 14	15 - 20	21 - 24	25 - 29	30 - 35
	F	F	F	F	F	F
	A C E	A C D	A C	B E	B D	B C