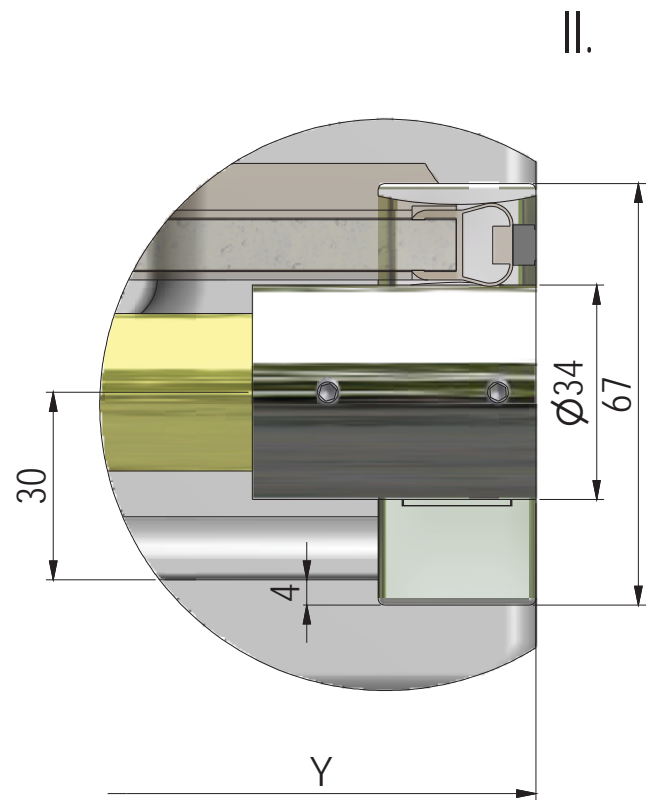
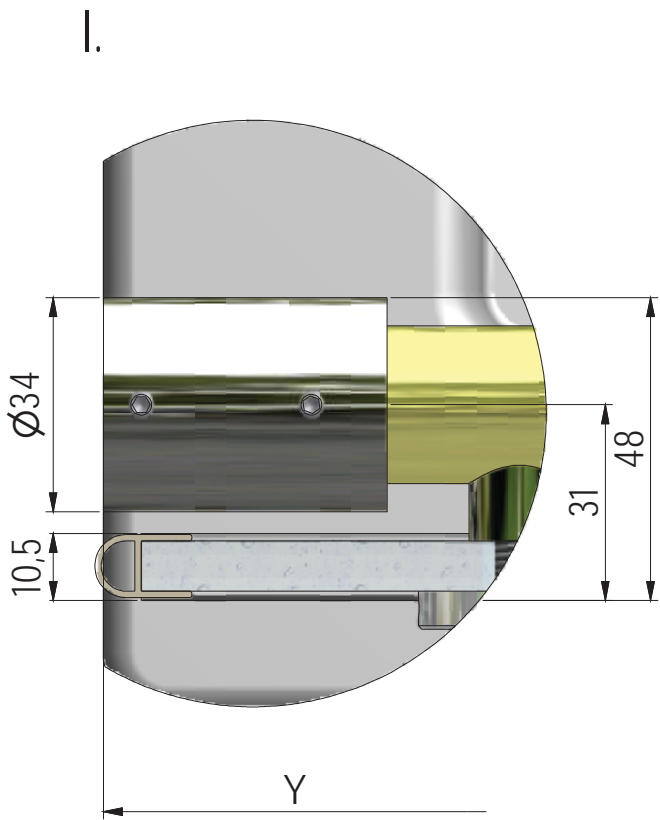
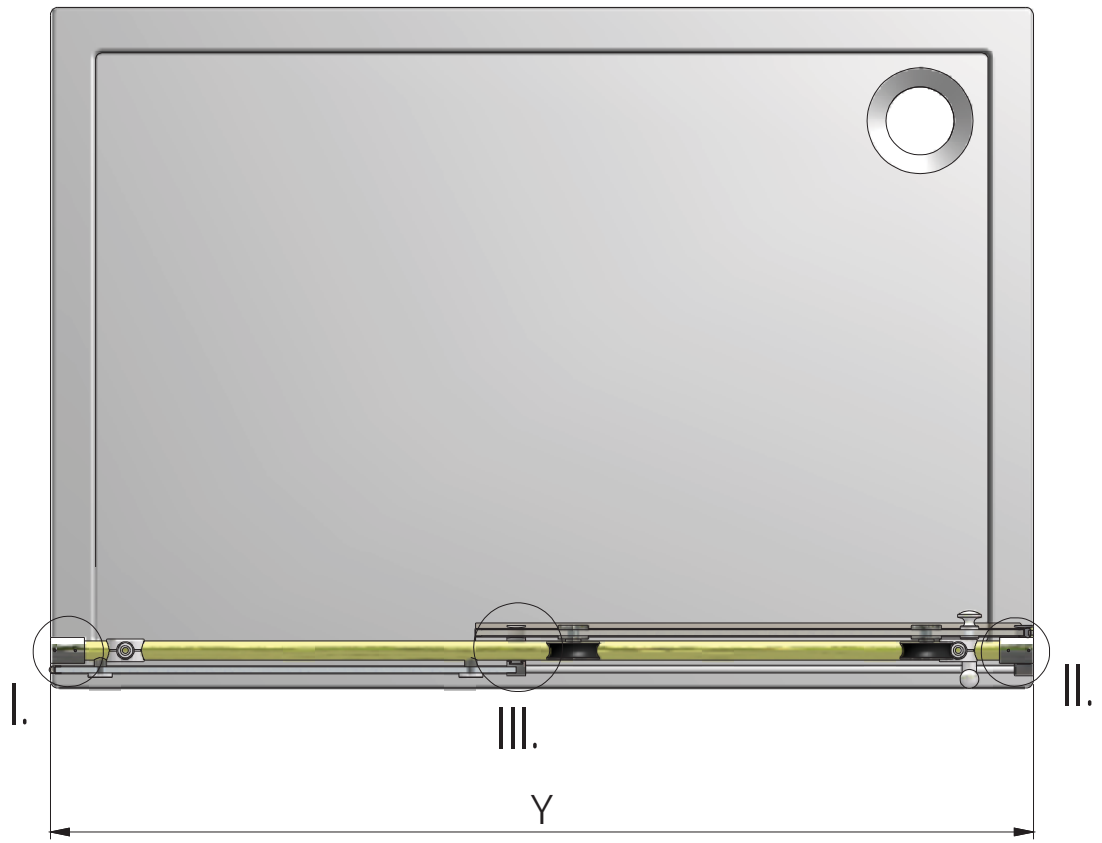
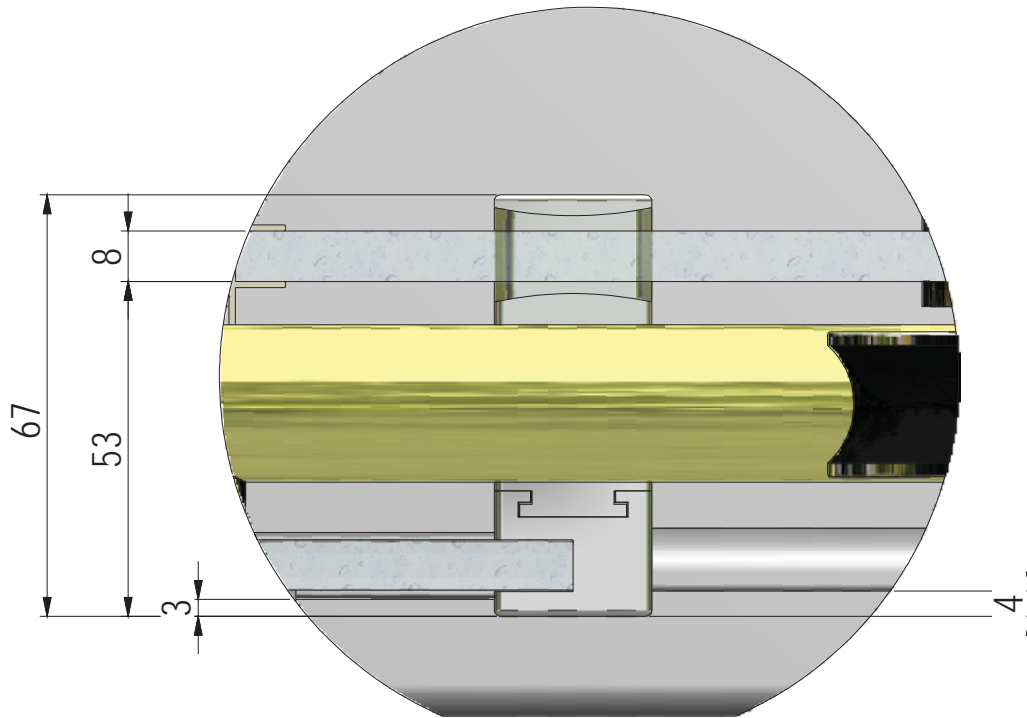


KID2



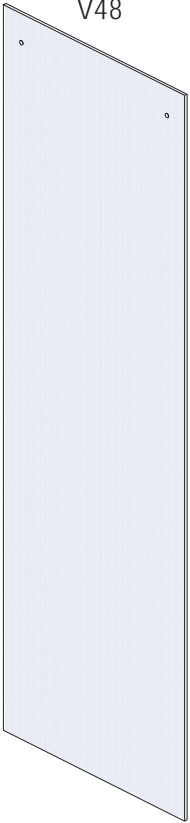


III.

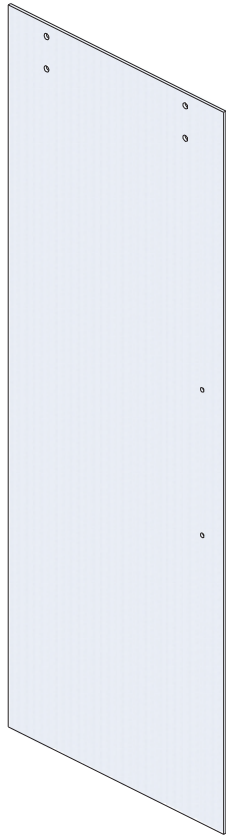


| KID2 | Y (mm) | |
|------|--------|------|
| | MIN | MAX |
| 1300 | 1150 | 1310 |
| 1500 | 1300 | 1510 |
| 1800 | 1500 | 1810 |
| 2000 | 1800 | 2010 |

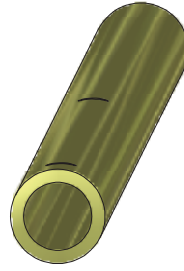
1. 1x
V48



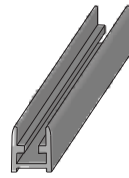
2. 1x
V47



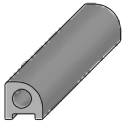
3. 1x
P73



4. 1x
P132



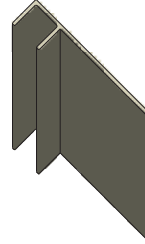
5. 1x
P131



6. 1x
M9751



7. 1x
M9137



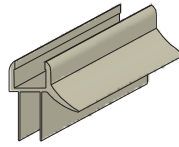
20. 1x
MA0852



25. 1x
MA0851



22. 1x
P129



10. 4x
M0511



8. 2x
M0811



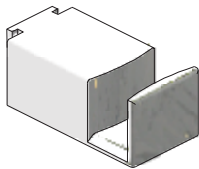
18. 2x
M0787



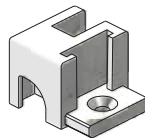
12. 1x
M9134



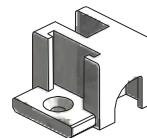
19. 2x
MA0749



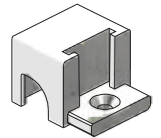
14. 1x
MA0743



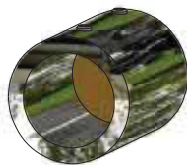
16. 1x
MA0744



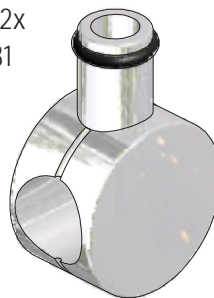
17. 1x
MA0745



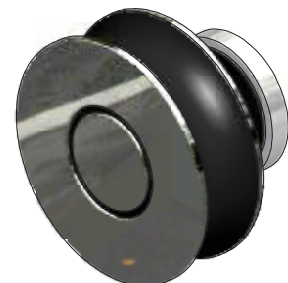
14. 2x
M9129



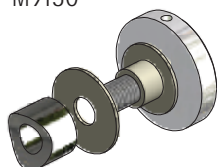
15. 2x
M9131

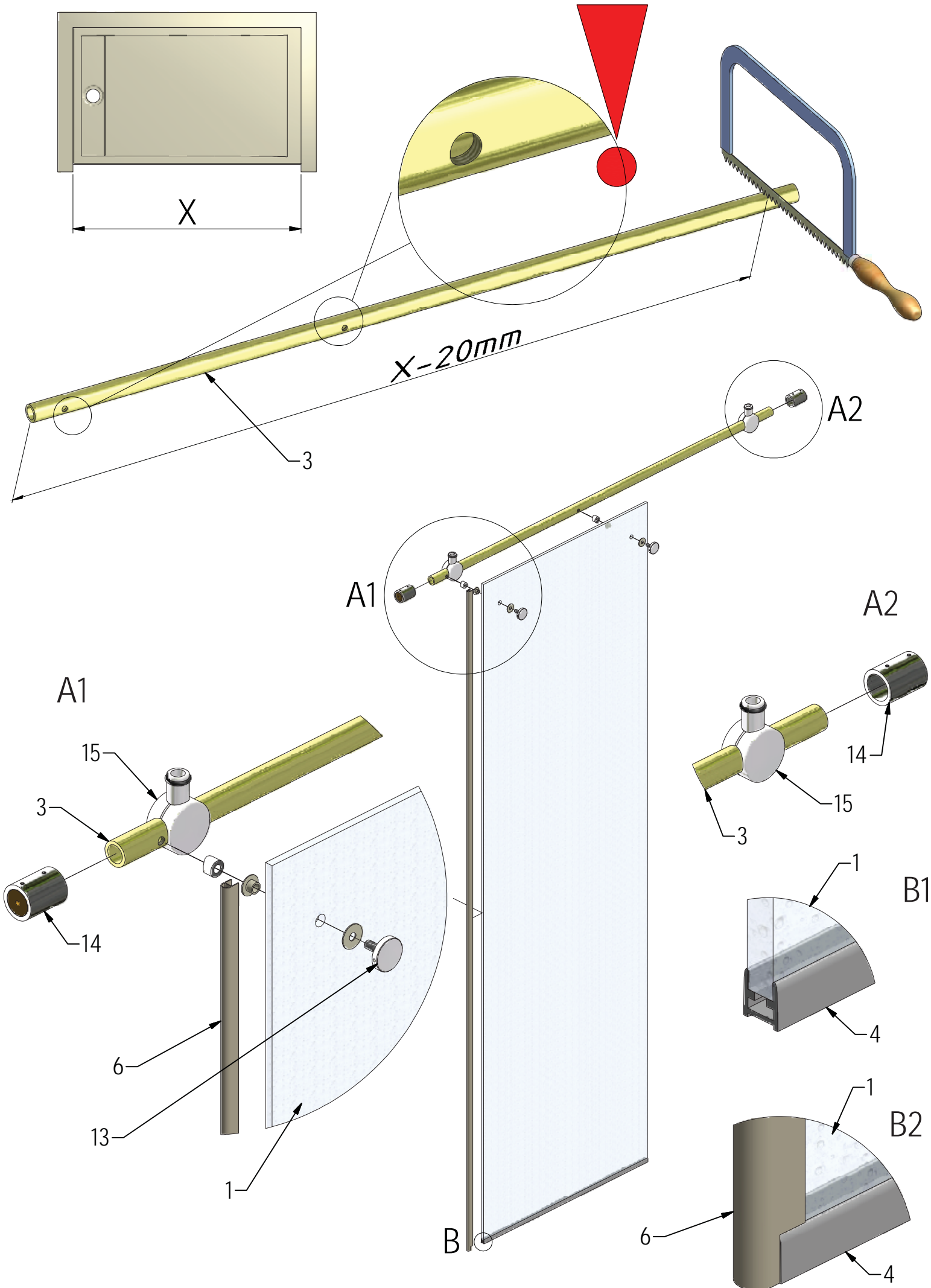


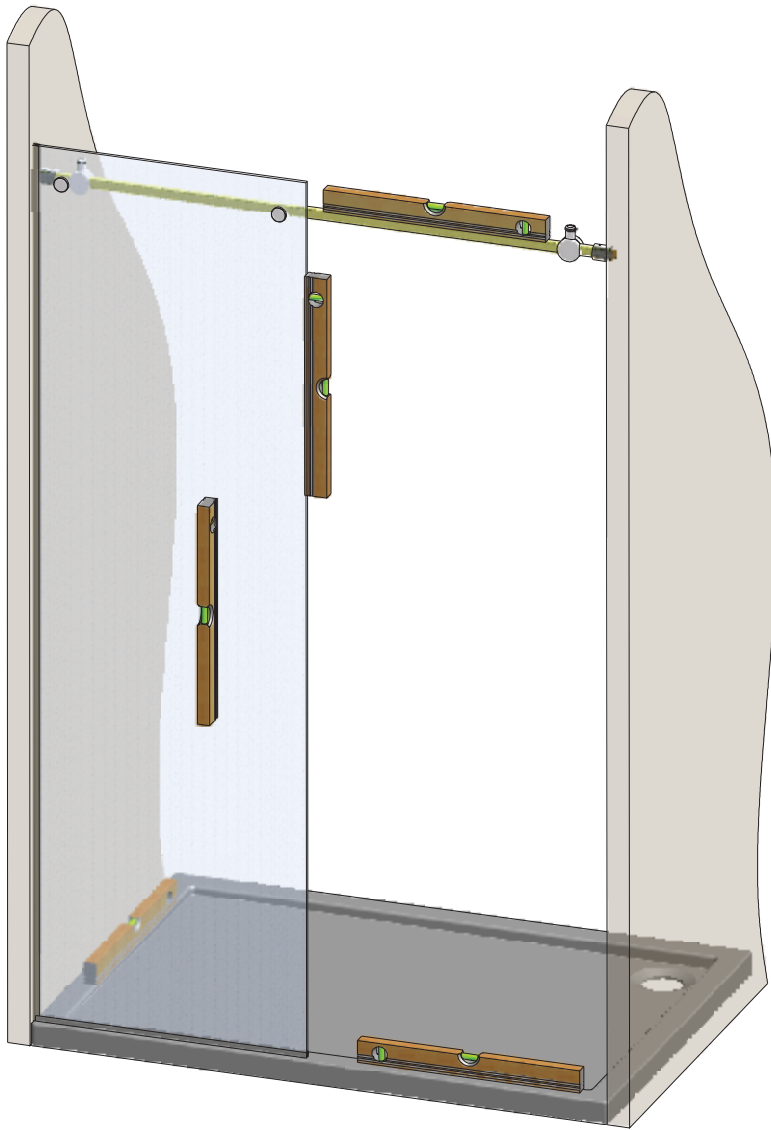
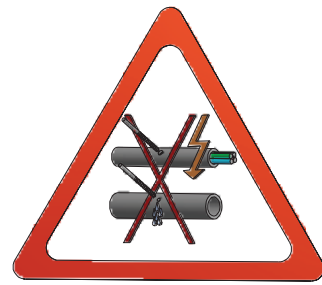
9. 4x
M9126



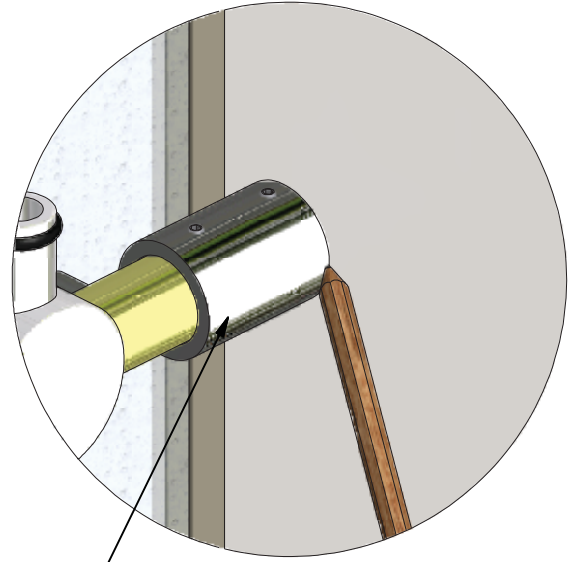
13. 2x
M9130





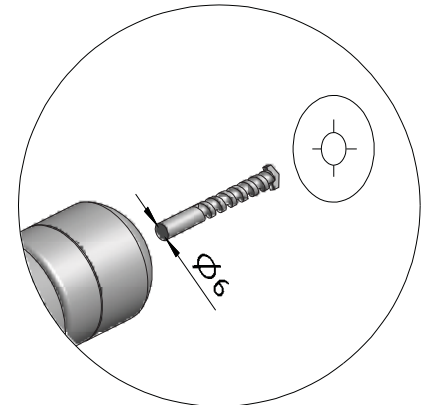


C

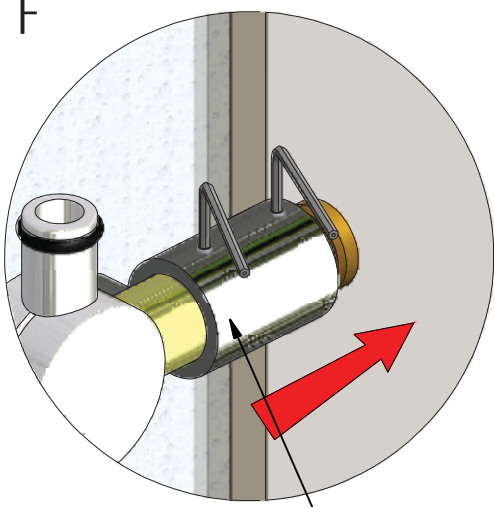


14

D1 2x

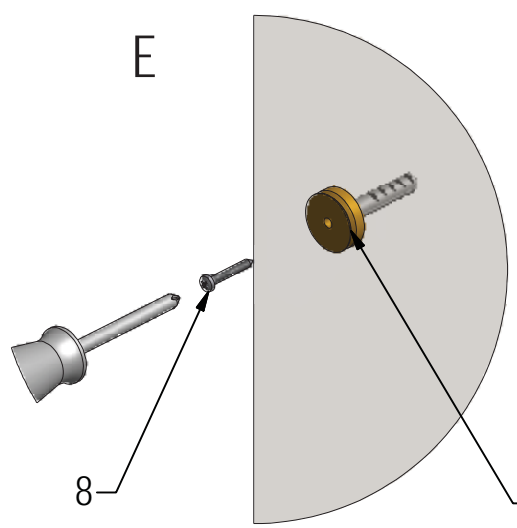


F



14

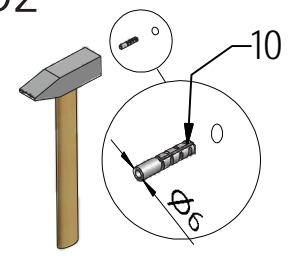
E



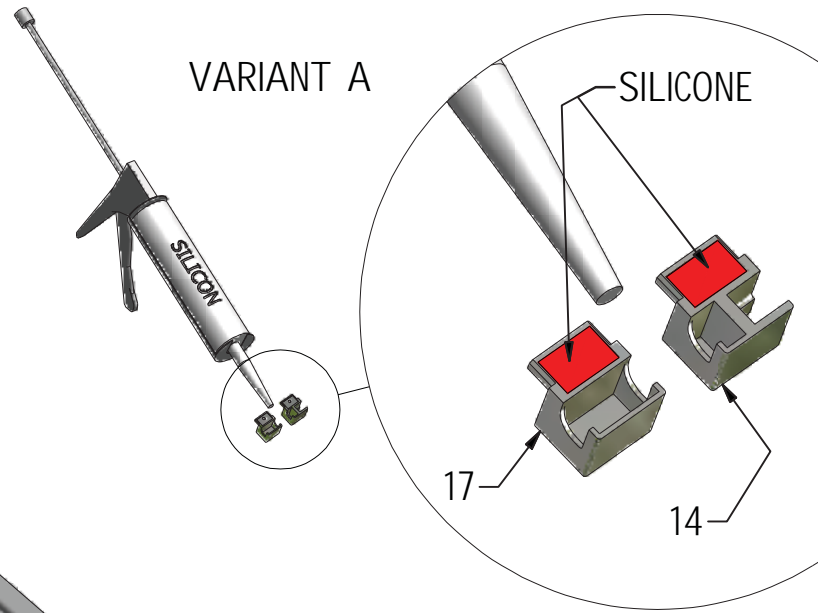
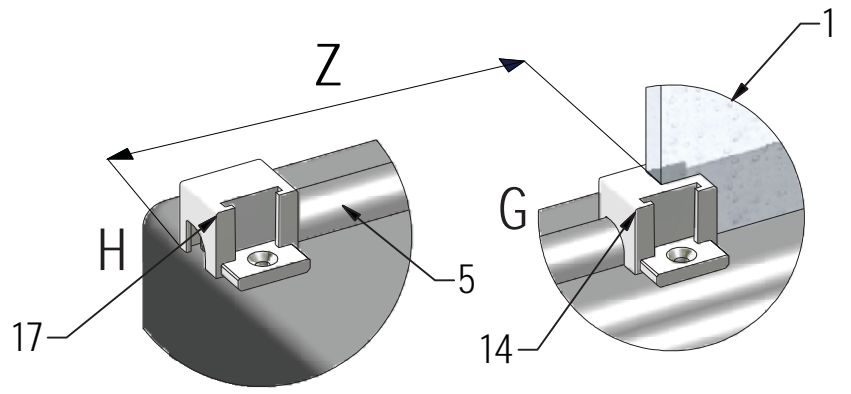
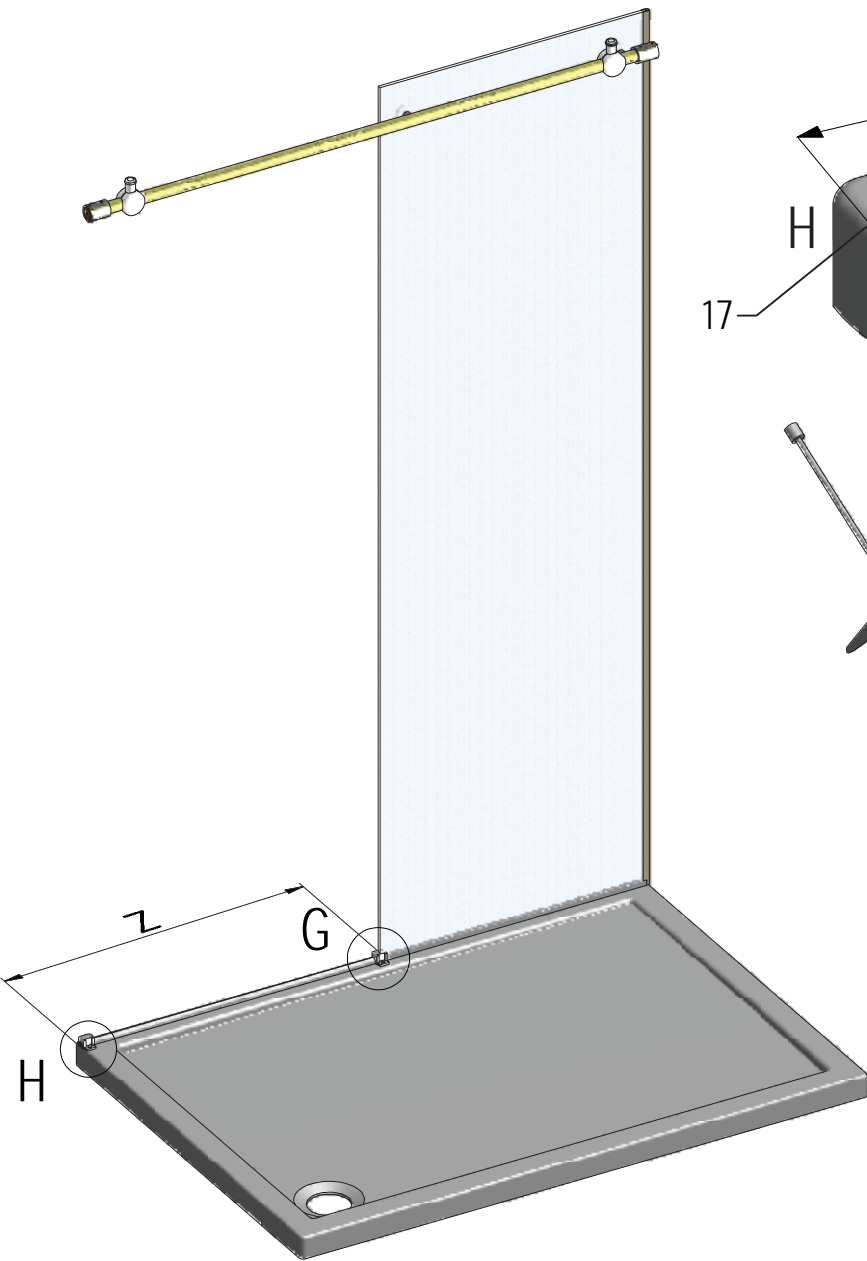
8

14

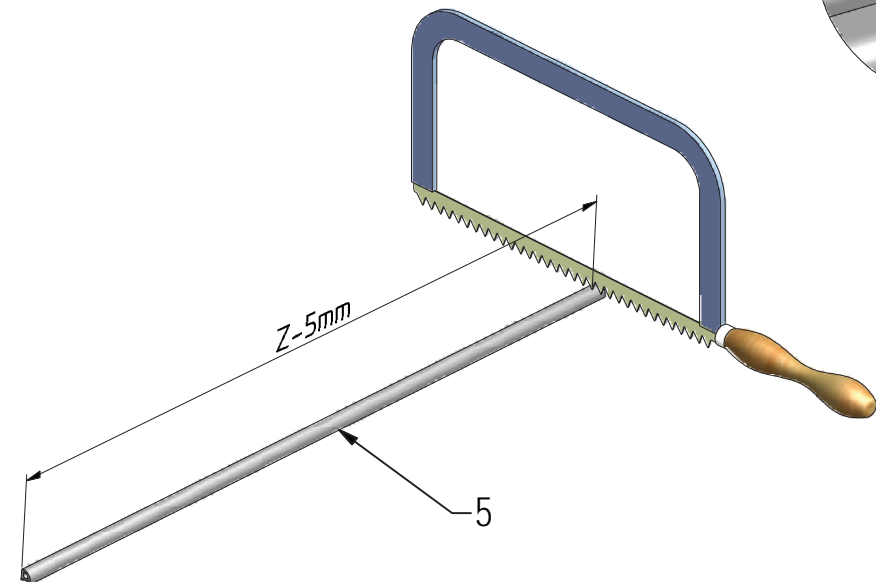
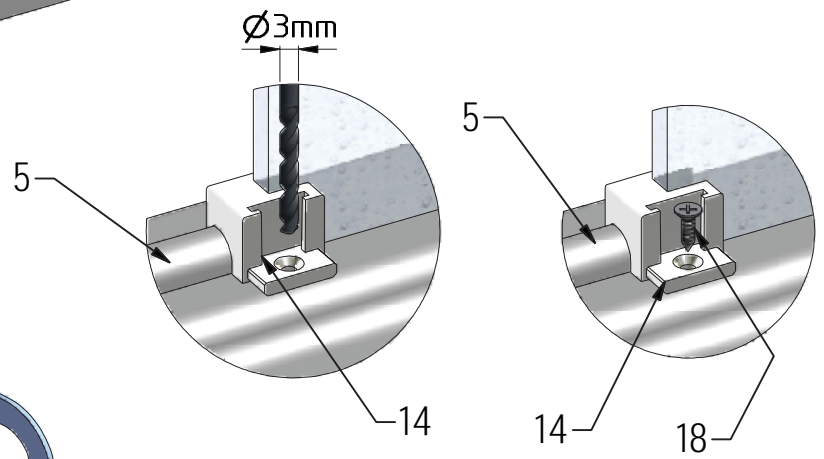
D2

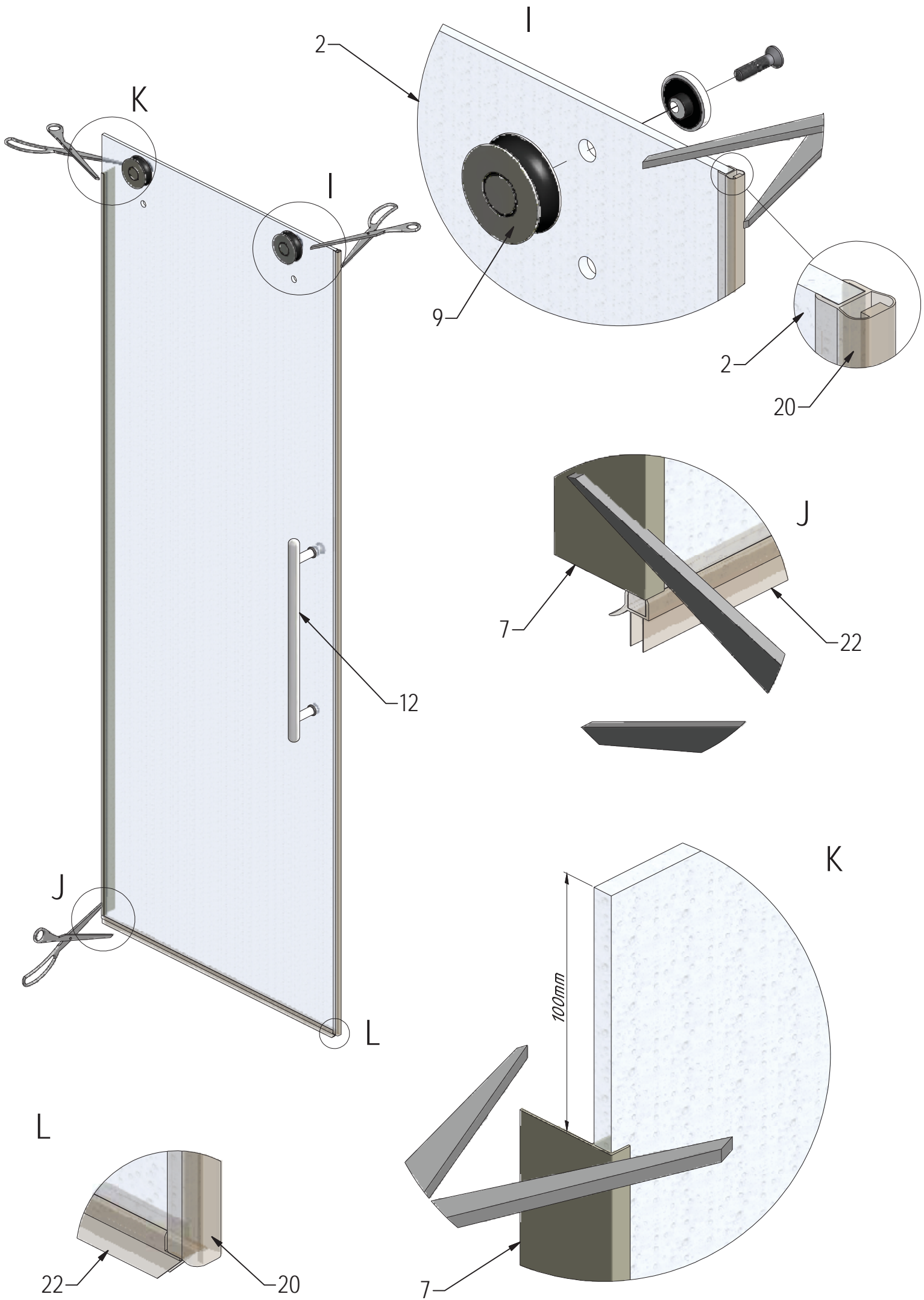


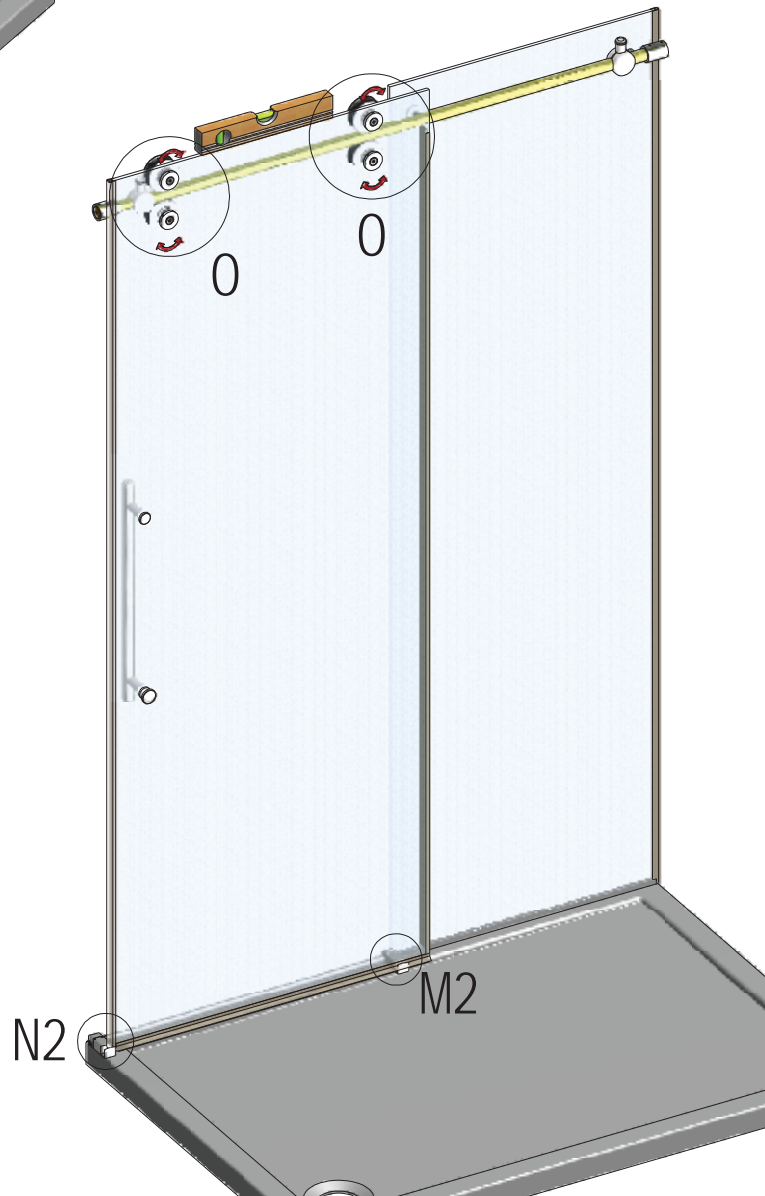
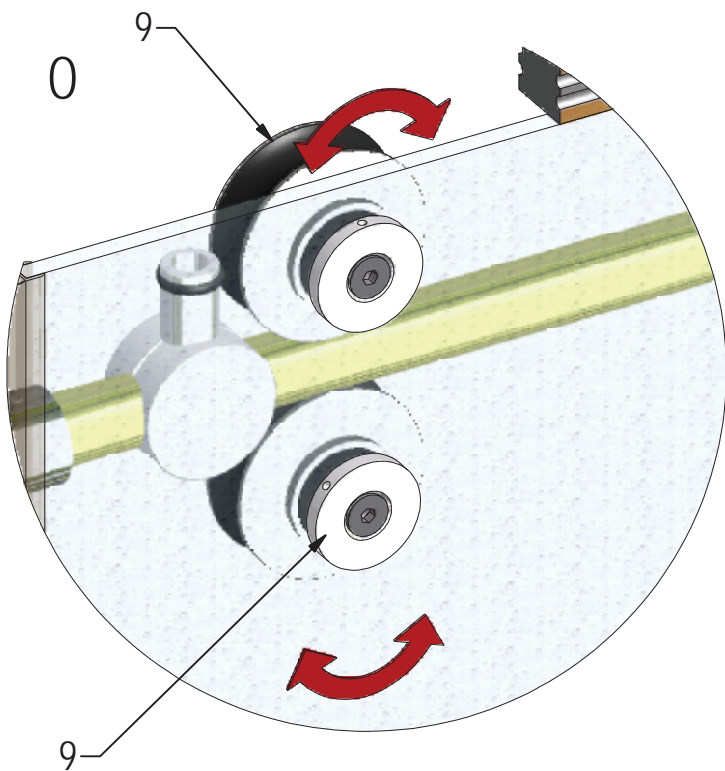
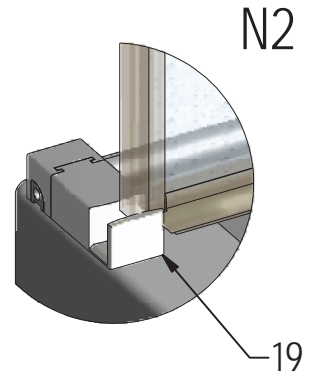
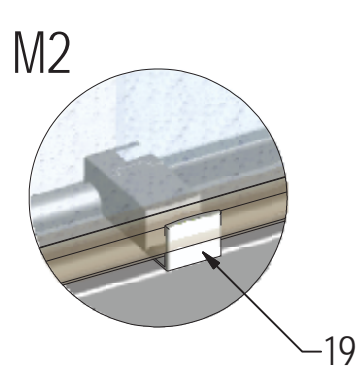
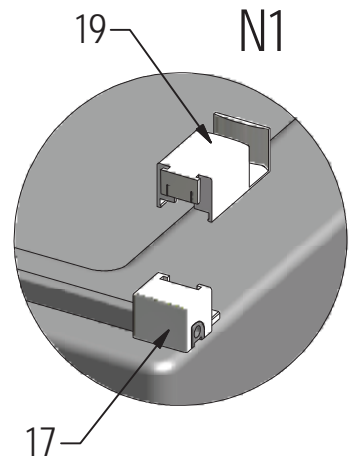
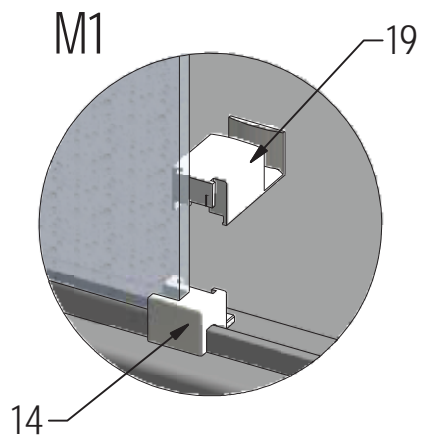
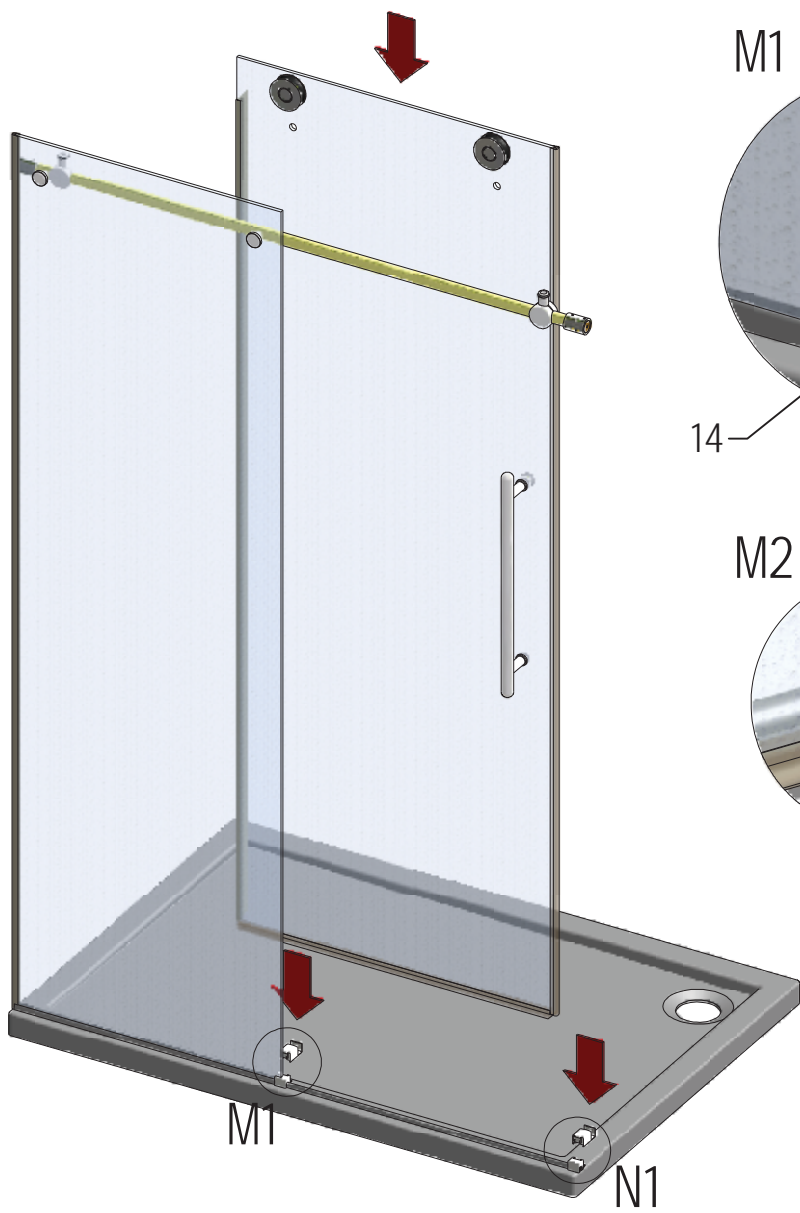
10

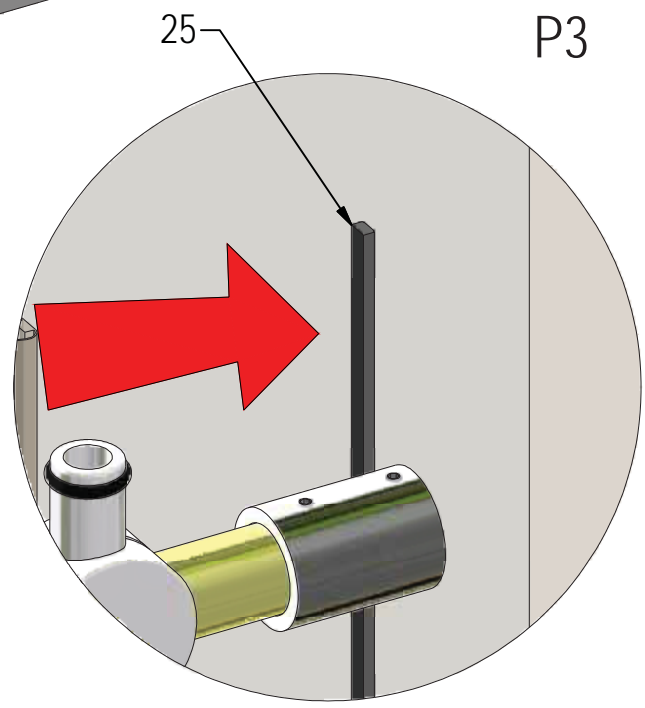
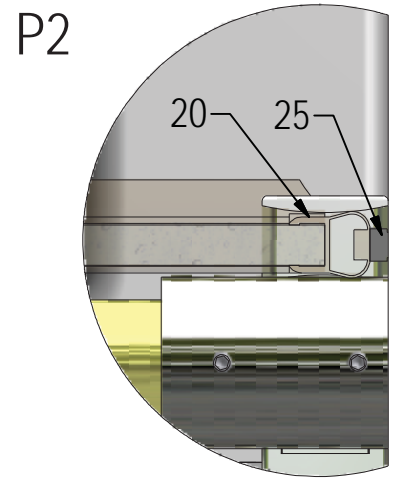
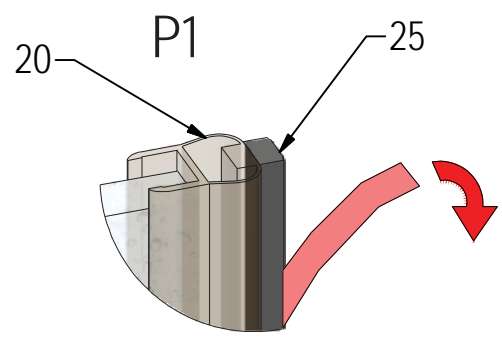
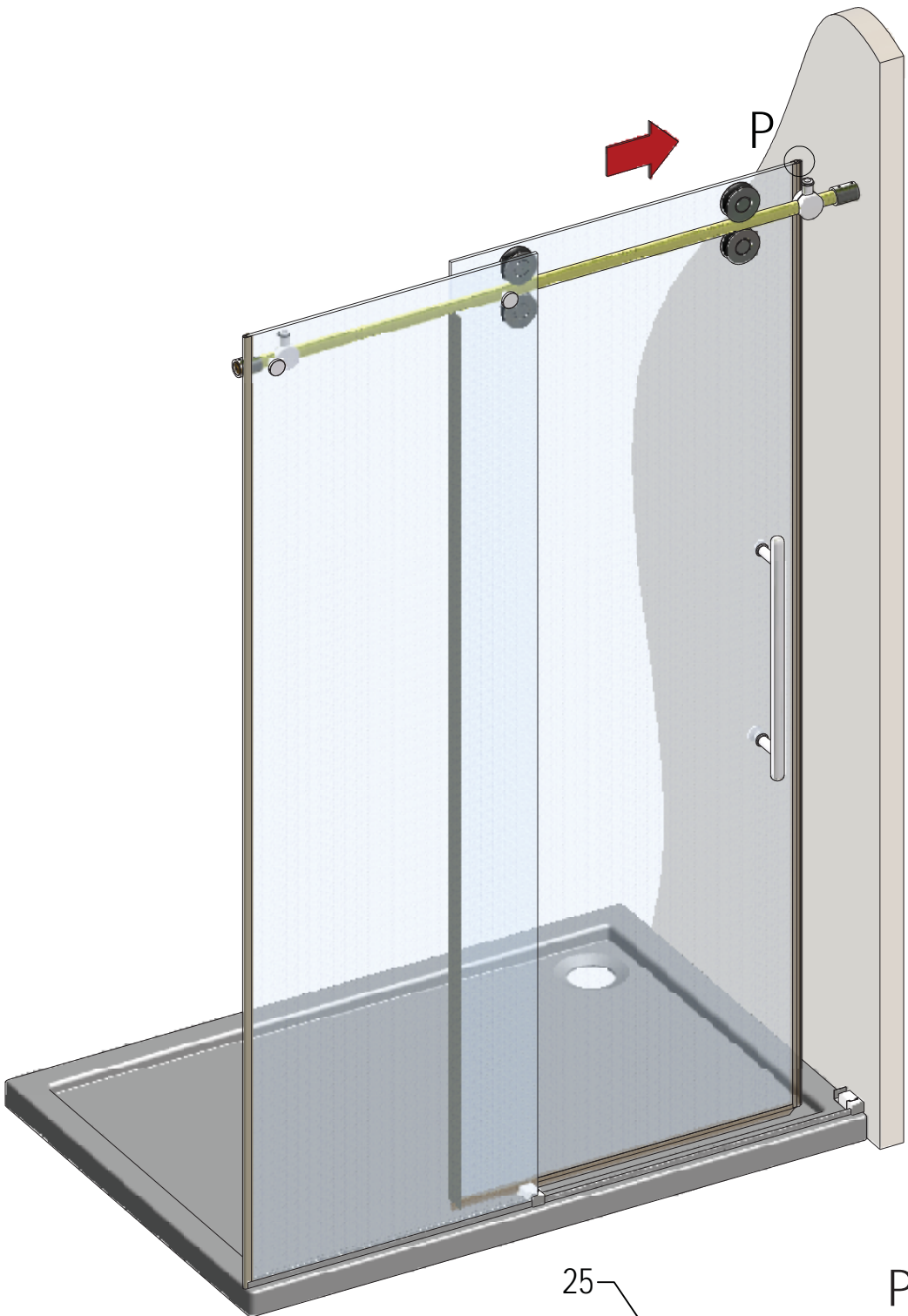


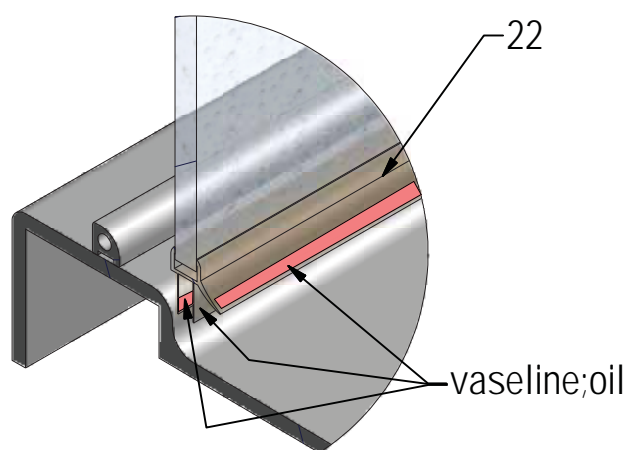
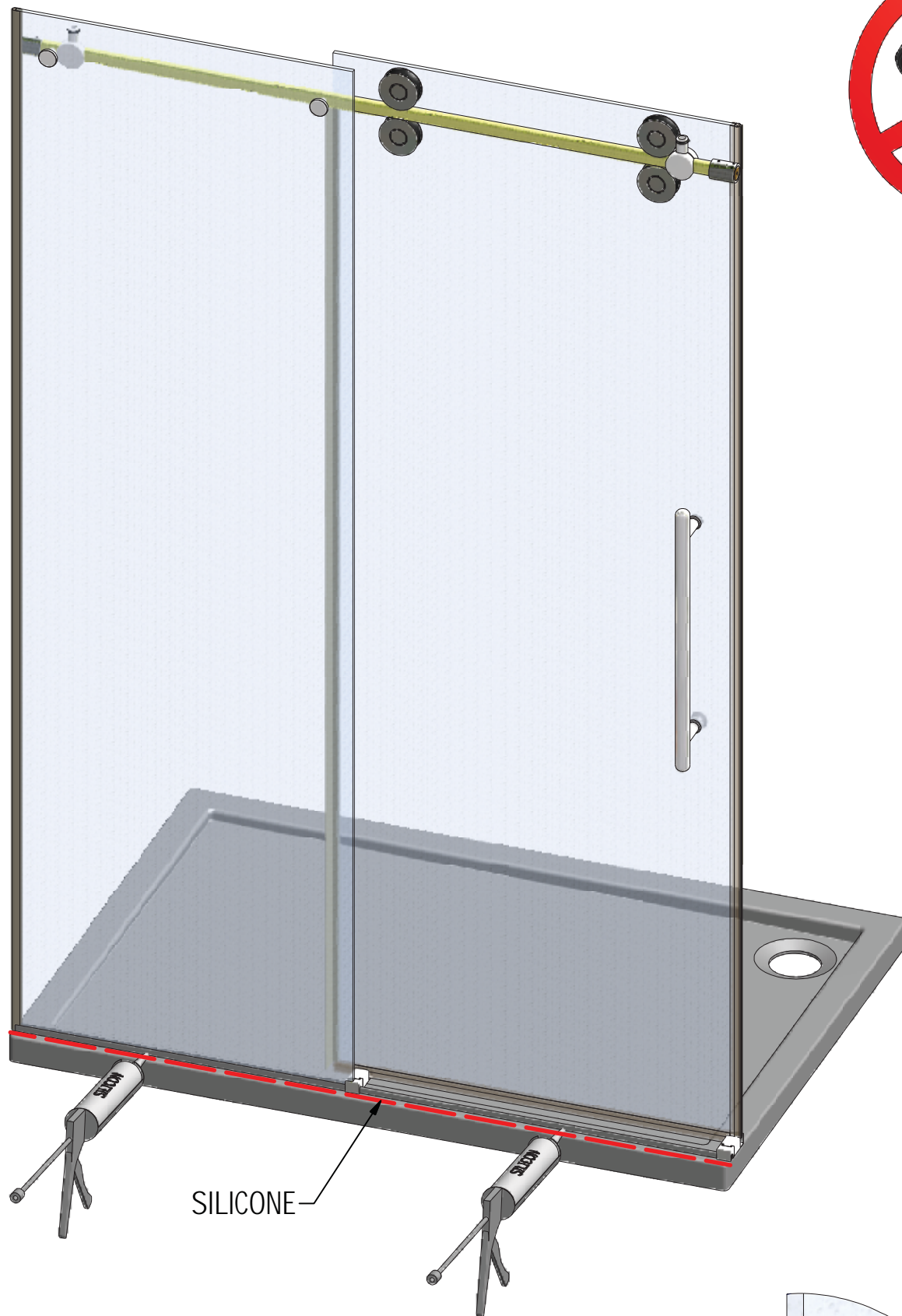
VARIANT B



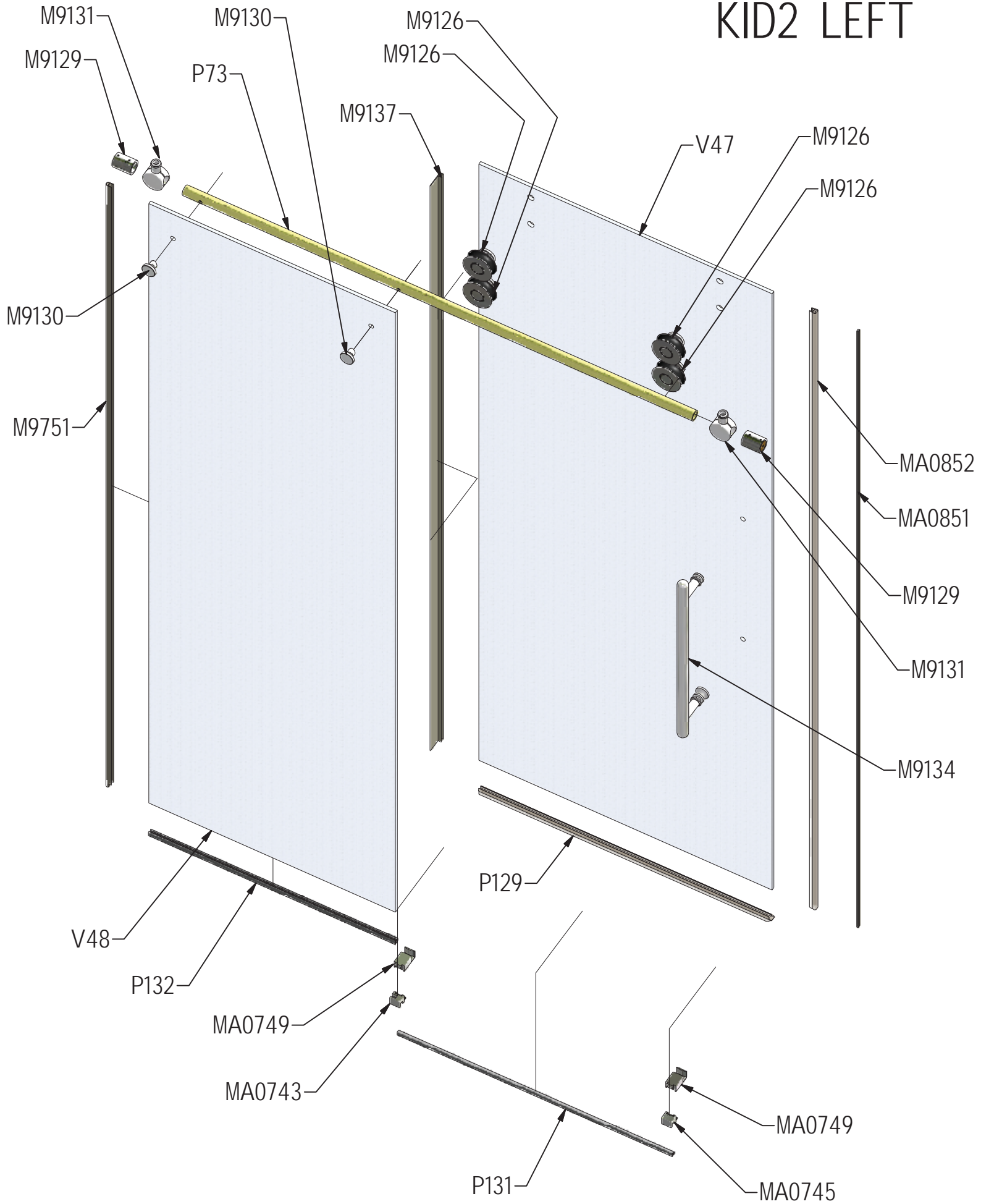




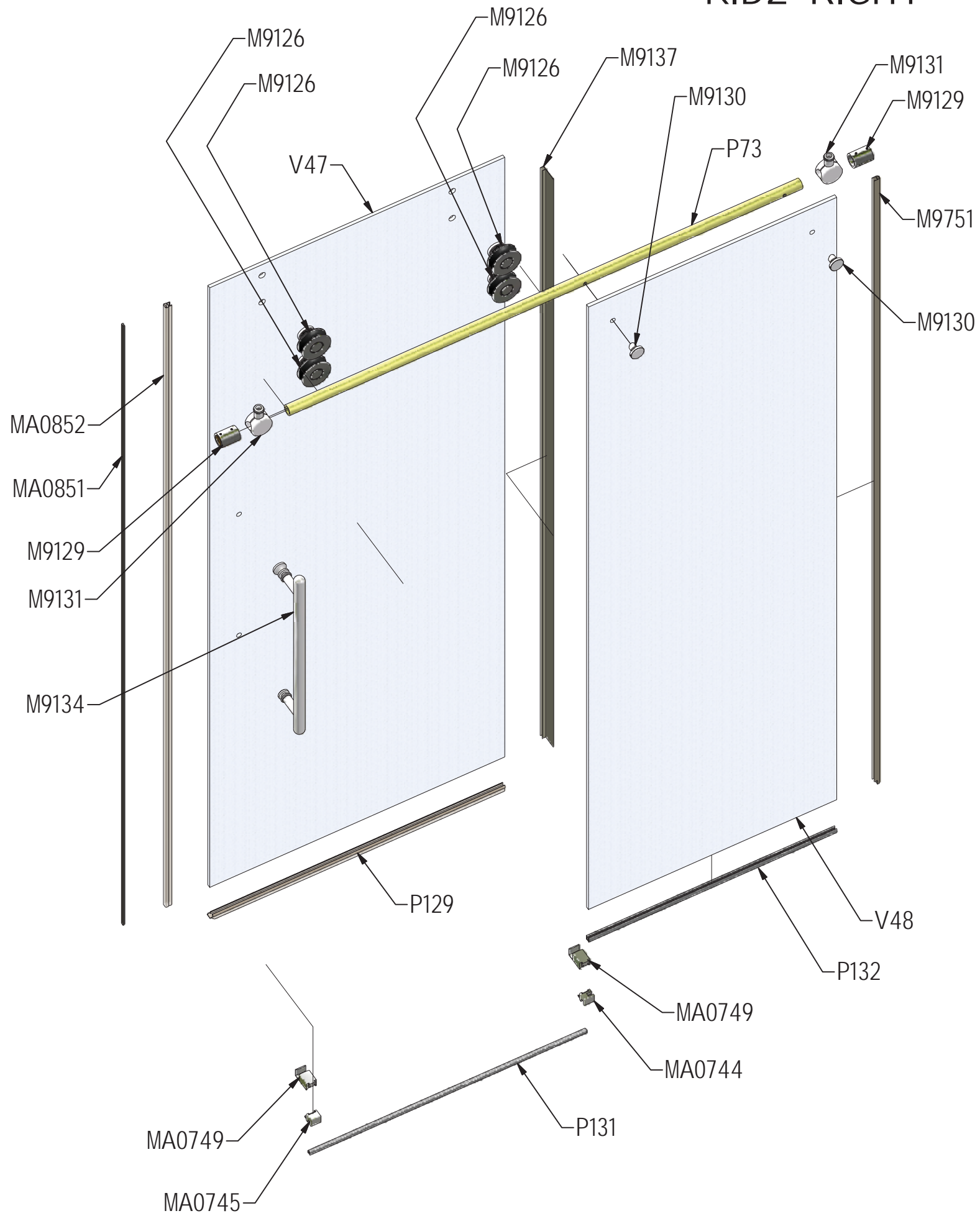




KID2 LEFT



KID2 RIGHT



| | | | |
|-----|------|--|-------|
| P73 | 1300 | | P2845 |
| | 1500 | | P2842 |
| | 1800 | | P2843 |
| | 2000 | | P2844 |

| | | | |
|------|--|--|-----------|
| P129 | | | ND01-2818 |
|------|--|--|-----------|

| | | | |
|------|------|--|-----------|
| P131 | 1300 | | ND01-2974 |
| | 1500 | | ND01-2974 |
| | 1800 | | ND01-2974 |
| | 2000 | | ND01-2975 |

| | | | |
|------|------|--|-------|
| P132 | 1300 | | P2980 |
| | 1500 | | P2981 |
| | 1800 | | P2982 |
| | 2000 | | P2729 |

| | | | |
|------|-------------|-----------------|-----------------|
| V47 | 1300 | clear glass | ND02-0584-00-02 |
| | | | |
| | 1500 | clear glass | ND02-0544-00-02 |
| | | | |
| 1800 | clear glass | ND02-0545-00-02 | |
| | | | |
| 2000 | clear glass | ND02-0546-00-02 | |
| | | | |
| V48 | 1300 | clear glass | ND03-0440-00-02 |
| | | | |
| | 1500 | clear glass | ND03-0397-00-02 |
| | | | |
| 1800 | clear glass | ND03-0398-00-02 | |
| | | | |
| 2000 | clear glass | ND03-0399-00-02 | |
| | | | |