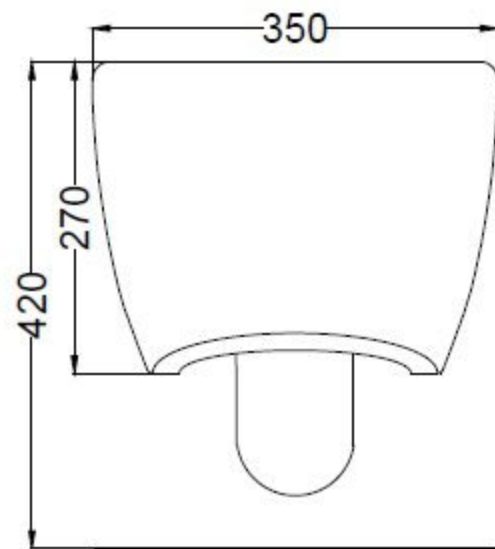
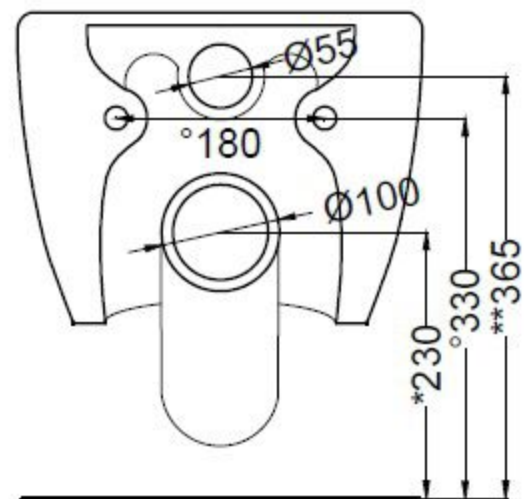
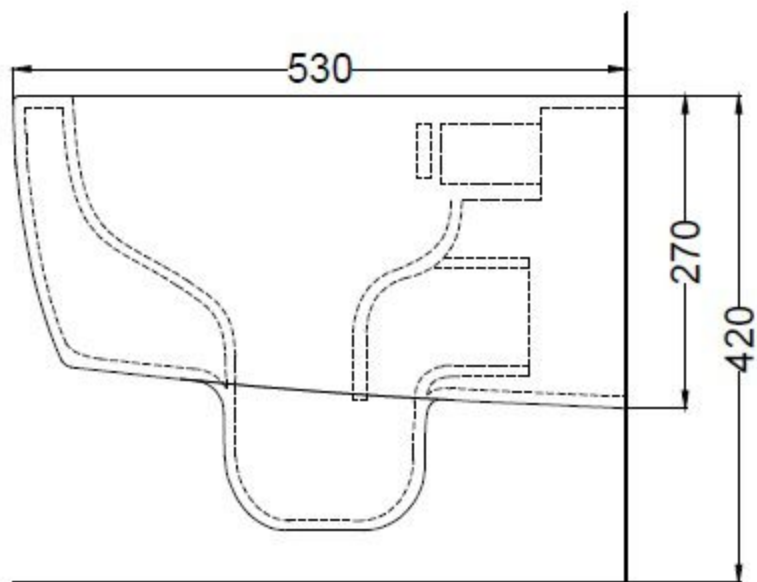


TOP



FRONT



* = water outlet
 ** = water inlet
 ° = fixings