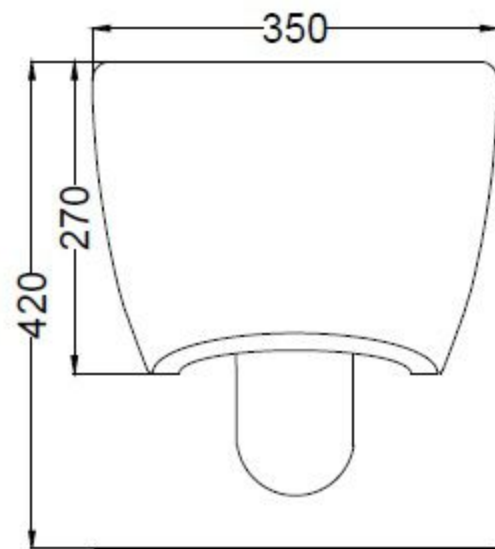
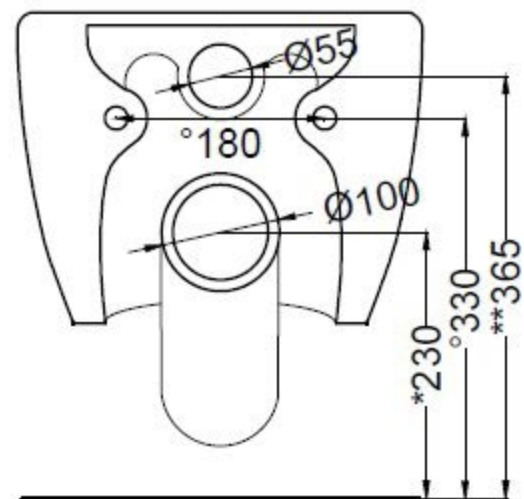
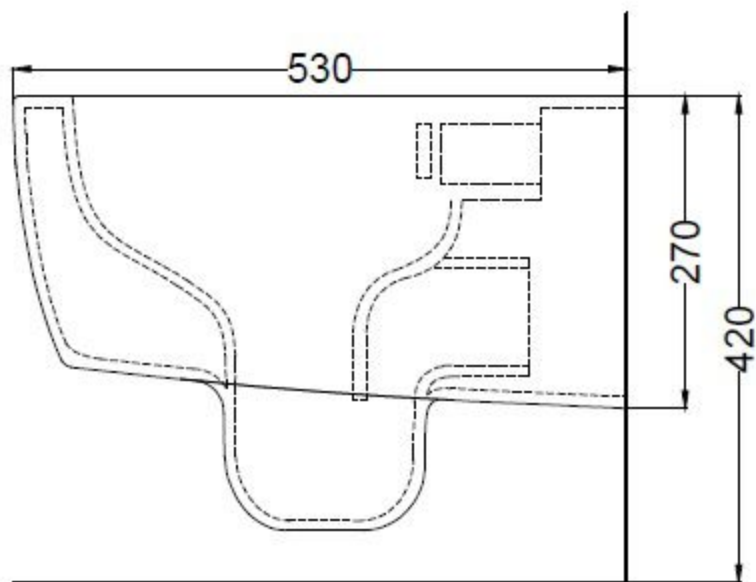


TOP



FRONT



\* = water outlet  
 \*\* = water inlet  
 ° = fixings