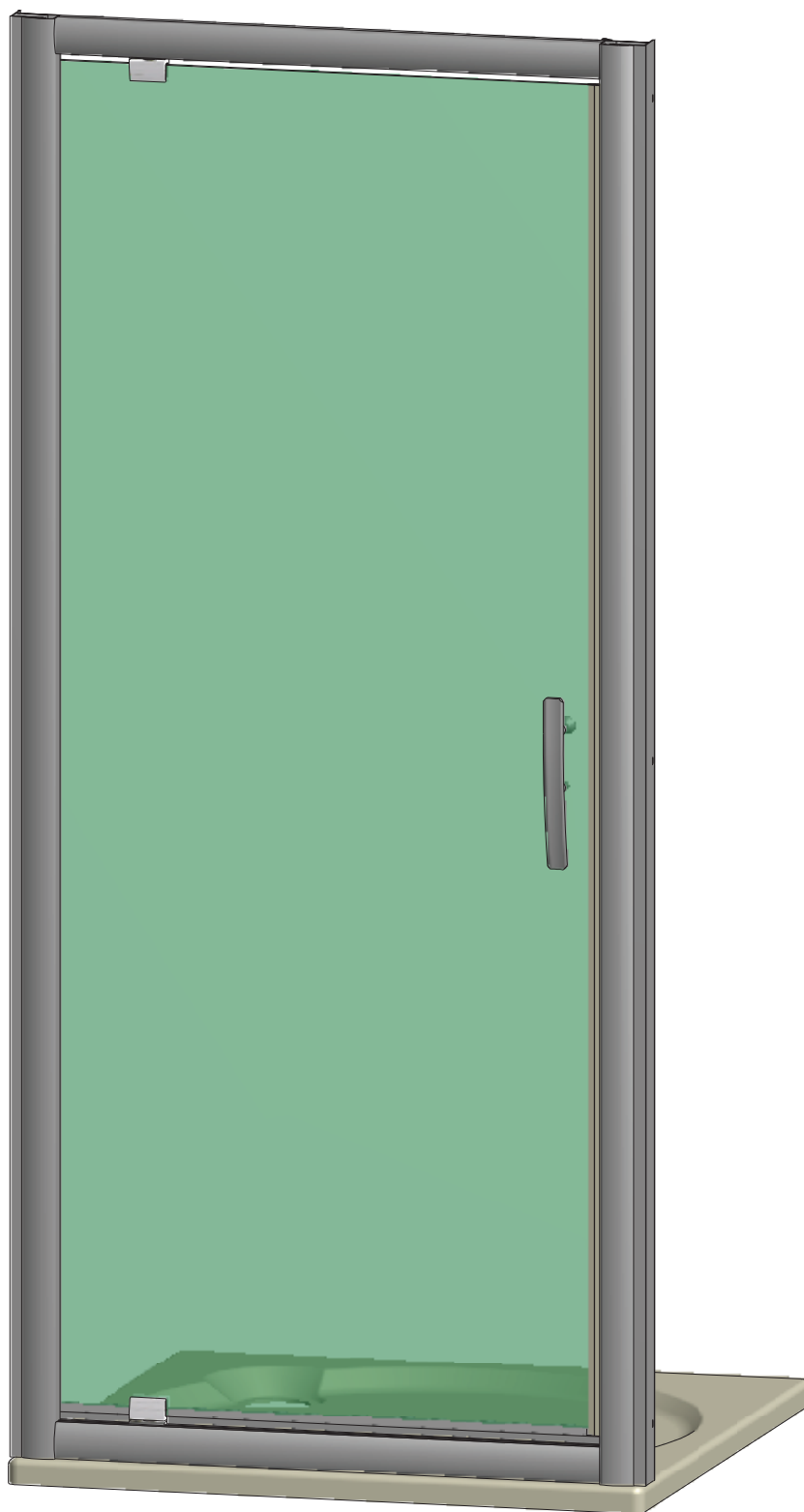
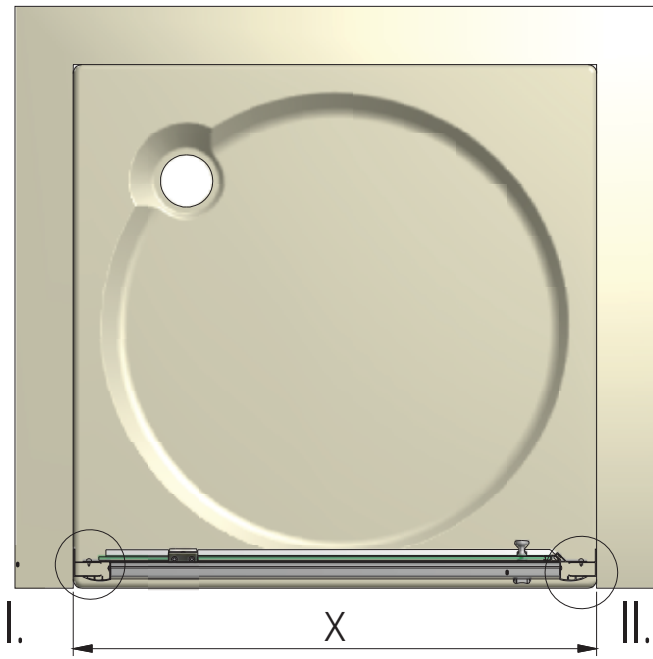


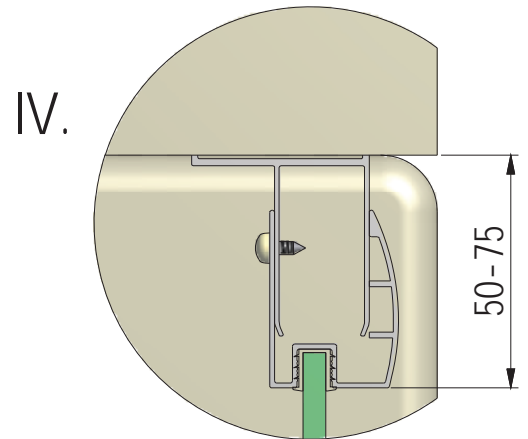
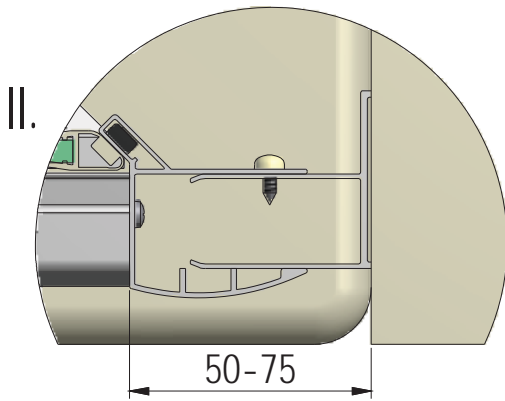
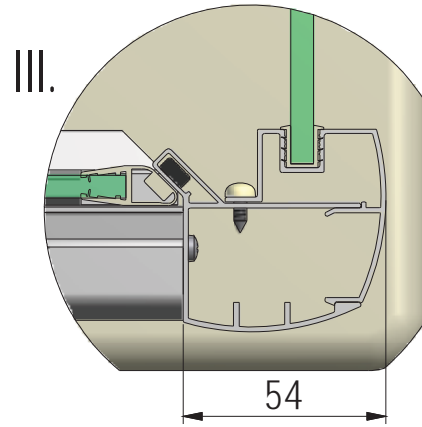
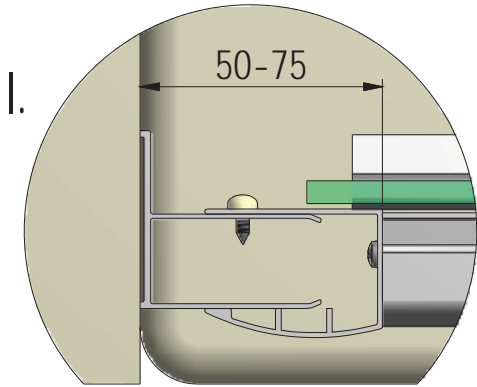
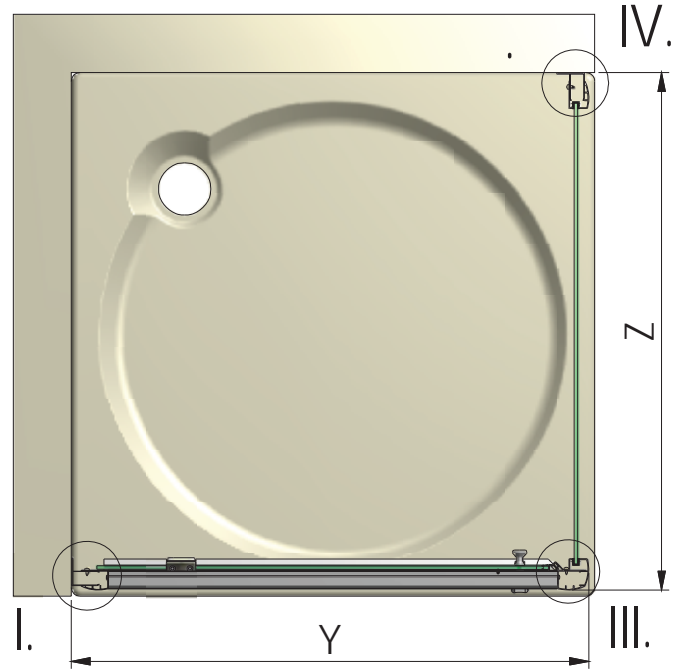
# PXD01N



# PXDO1N



# PXDO1N+PXBN



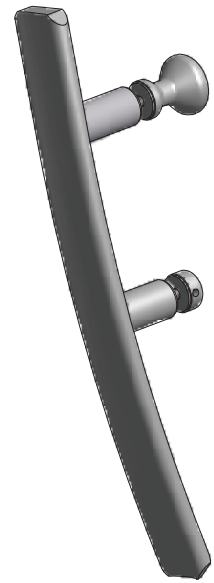
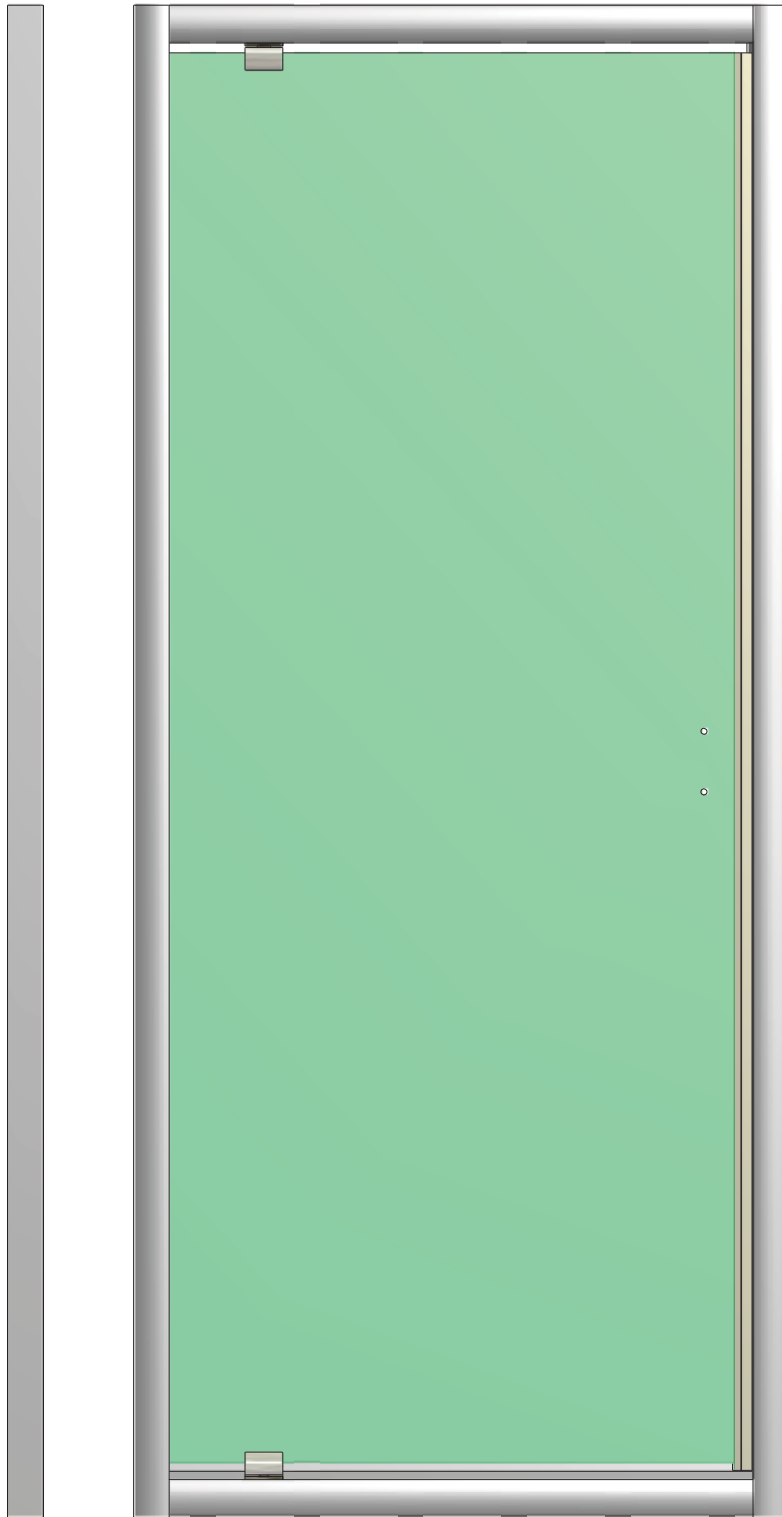
PXDO1N				
	X (min)	X (max)	Y (min)	Y (max)
800	772	822	775	800
900	872	922	875	900
1000	972	1022	975	1000
1100	1072	1122	1075	1100

PXBN		
	Z (min)	Z (max)
700	680	705
800	780	805
900	880	905
1000	980	1005

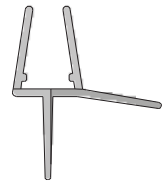
1. 2x (P2860)

2. 1x

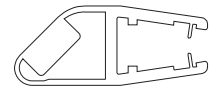
3. 1x (M8824)



9. 1x (P3960)



10. 1x MA0853



4. 6x (M0511)  
Ø 6 mm



5. 6x (M0795)  
Ø3,5x38 mm



6. 6x (M0806)  
Ø 3,5x9,5 mm



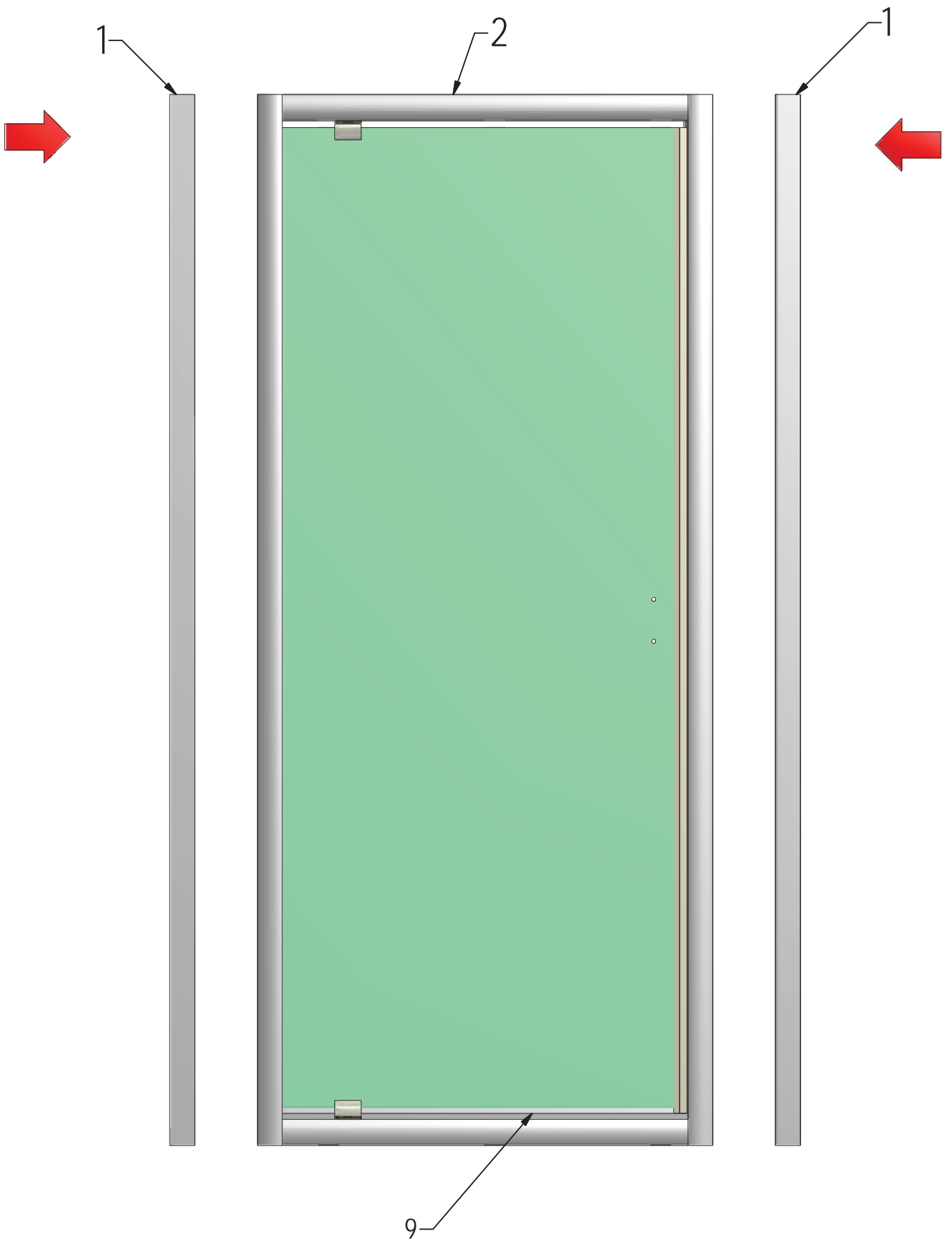
7. 12x(M1907)

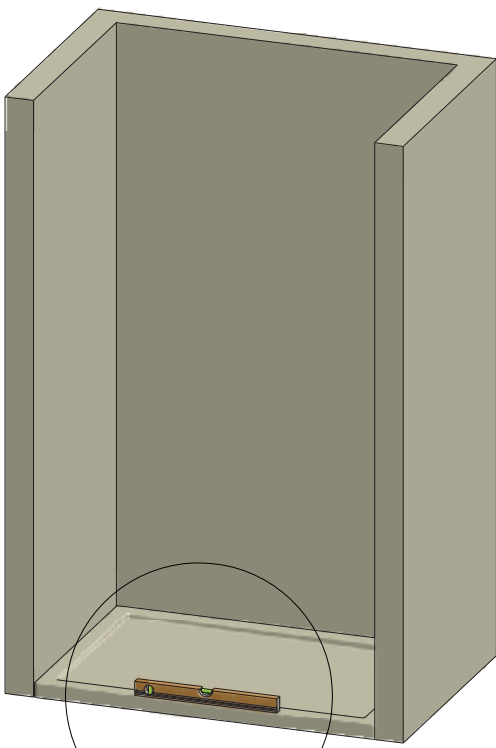


8. 1x (M0838)  
Ø2,8

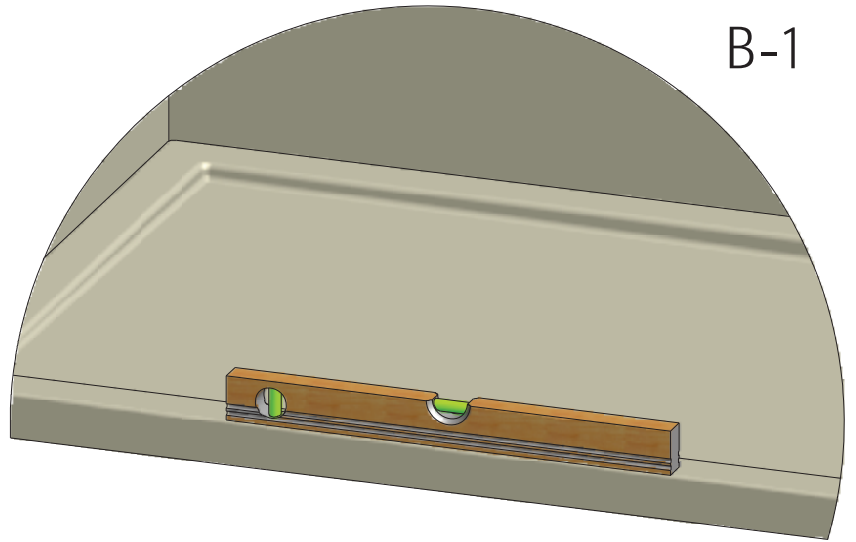


A-1





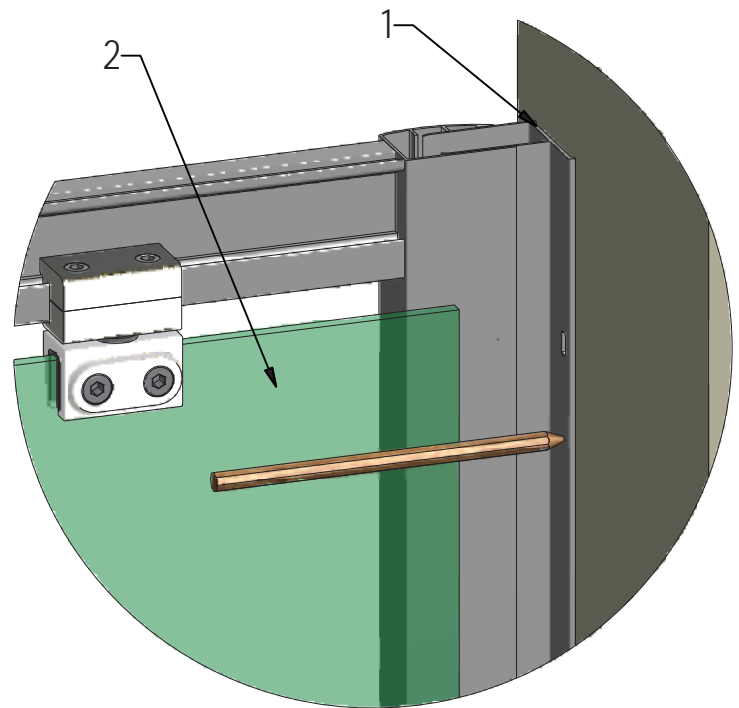
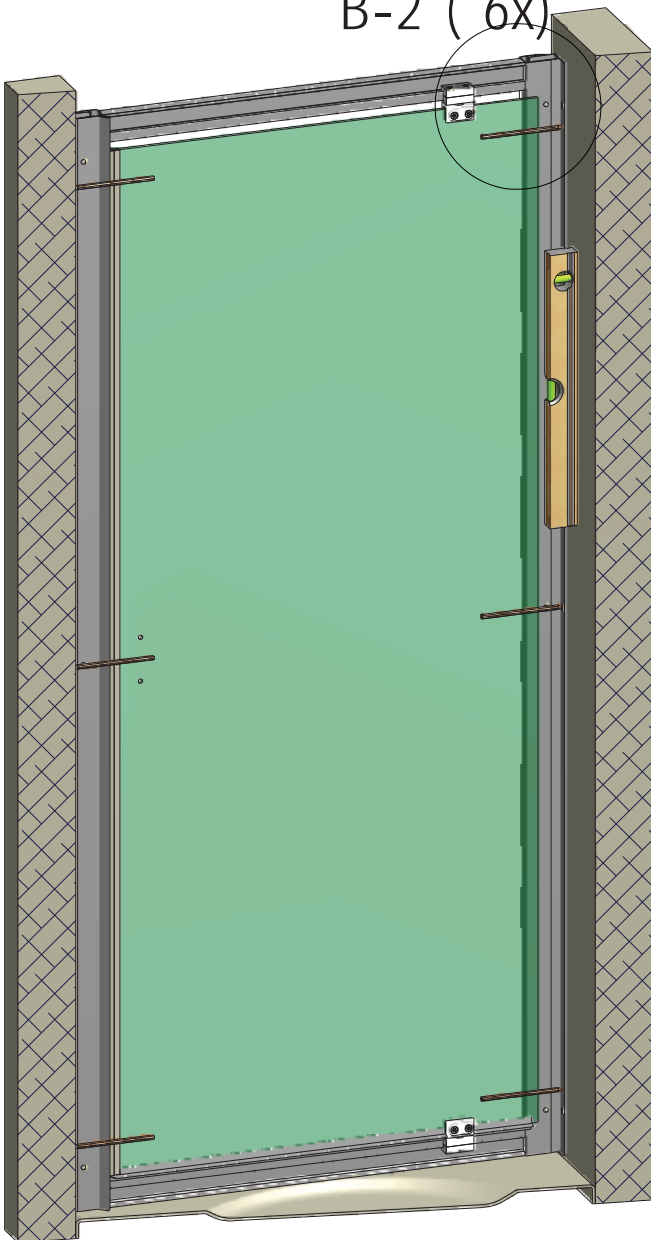
B-1

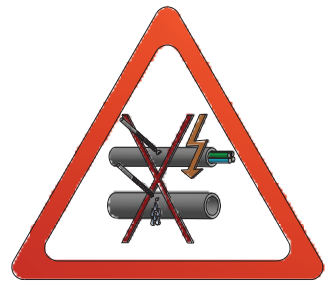
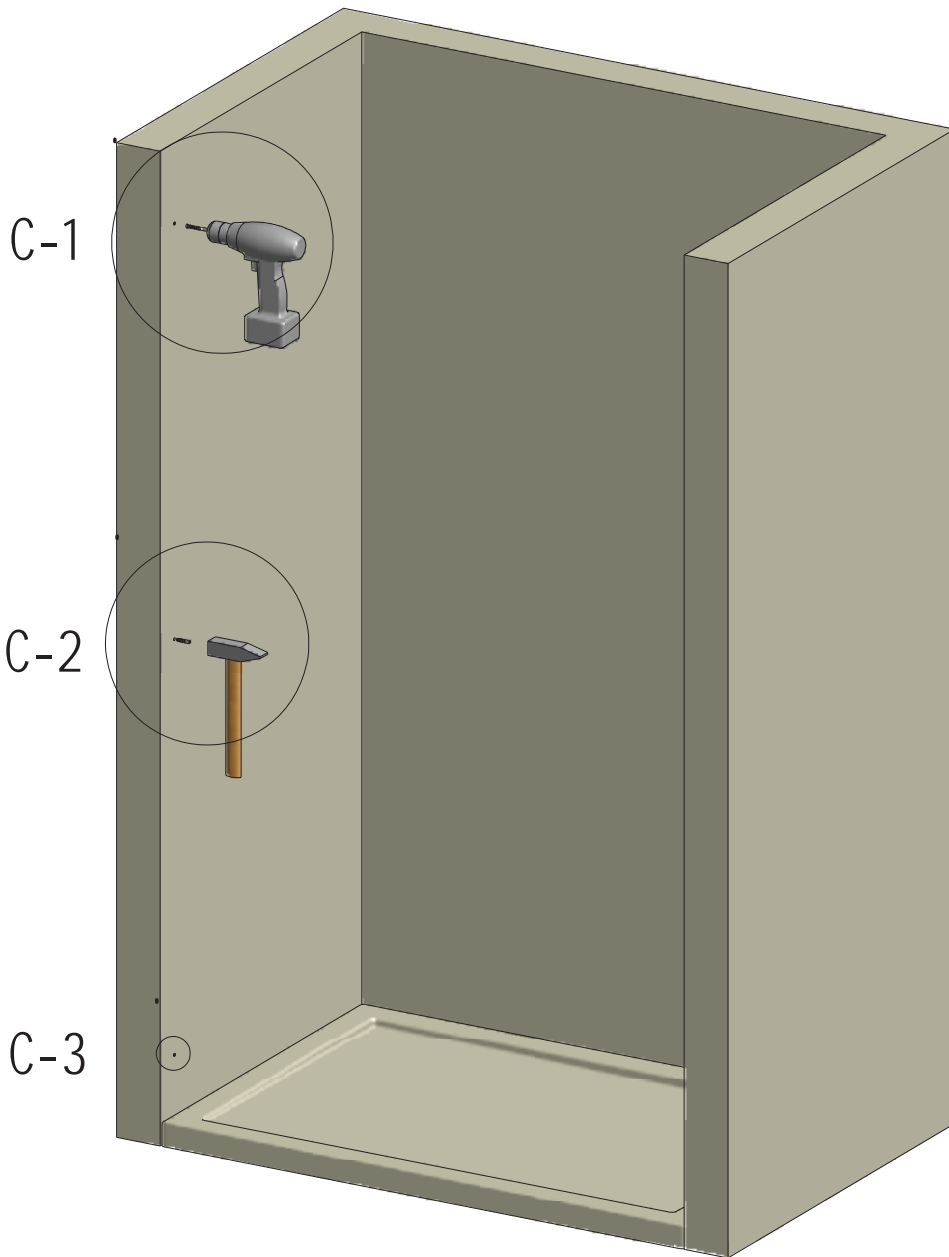


B-1

B-2 ( 6x )

B-2 ( 6x )

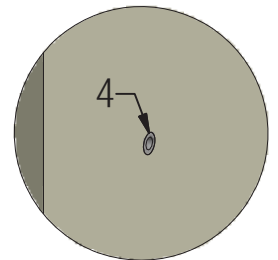
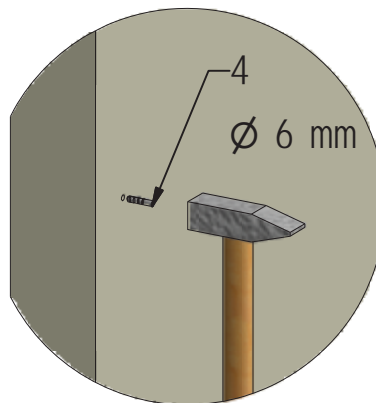
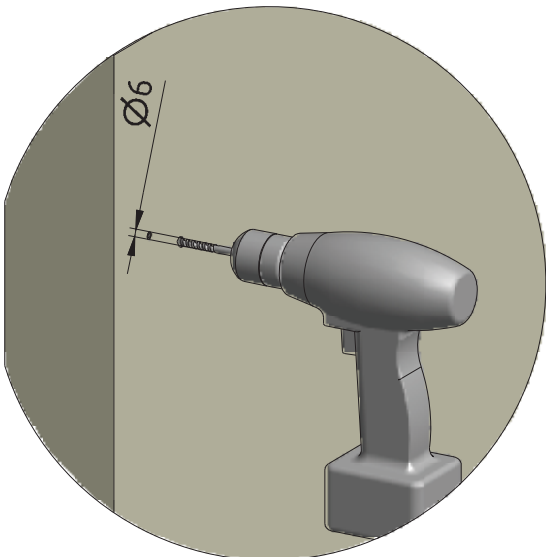


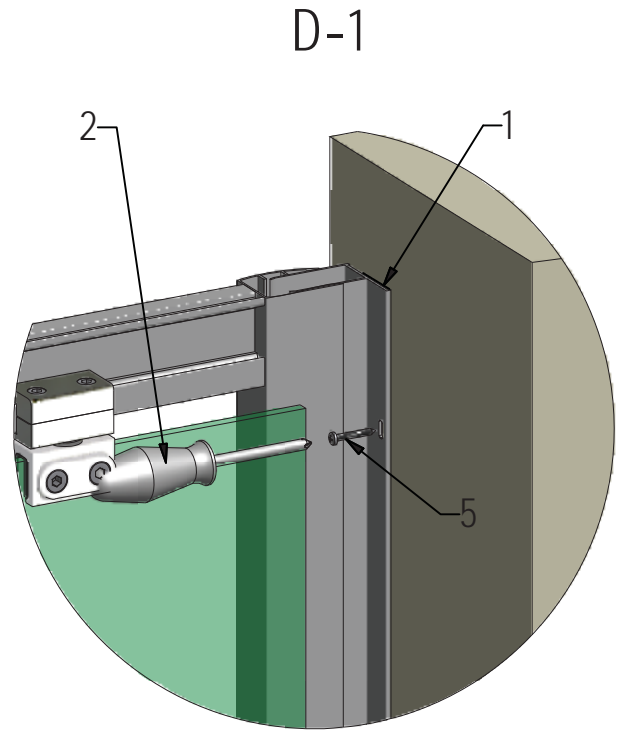
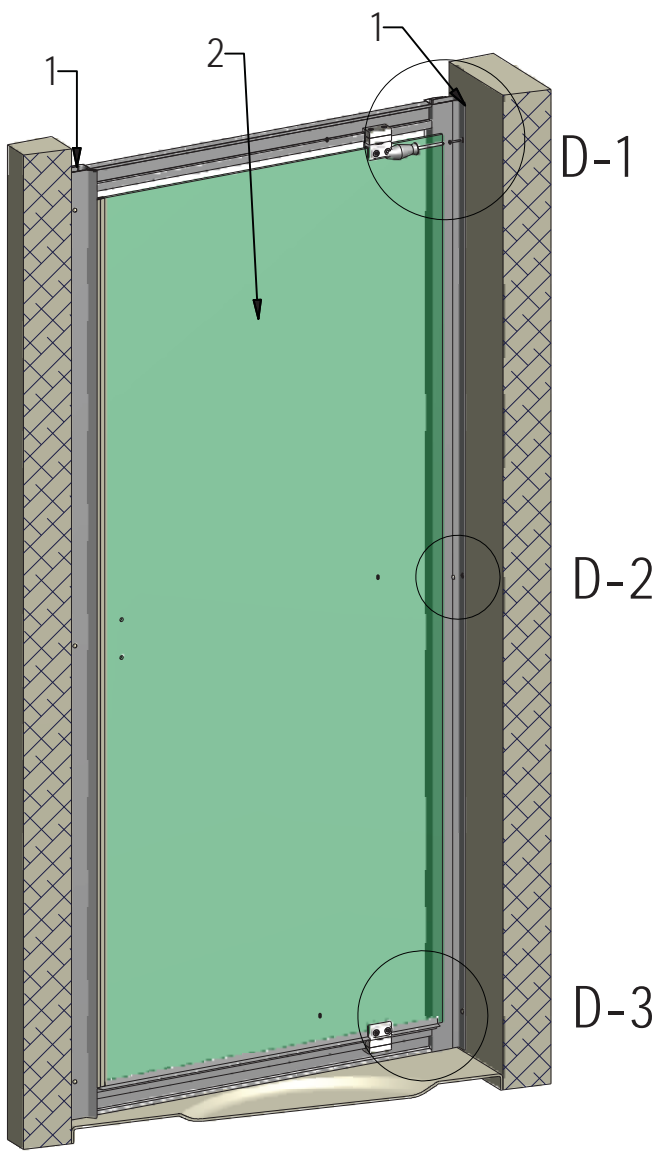


C-1  
6x

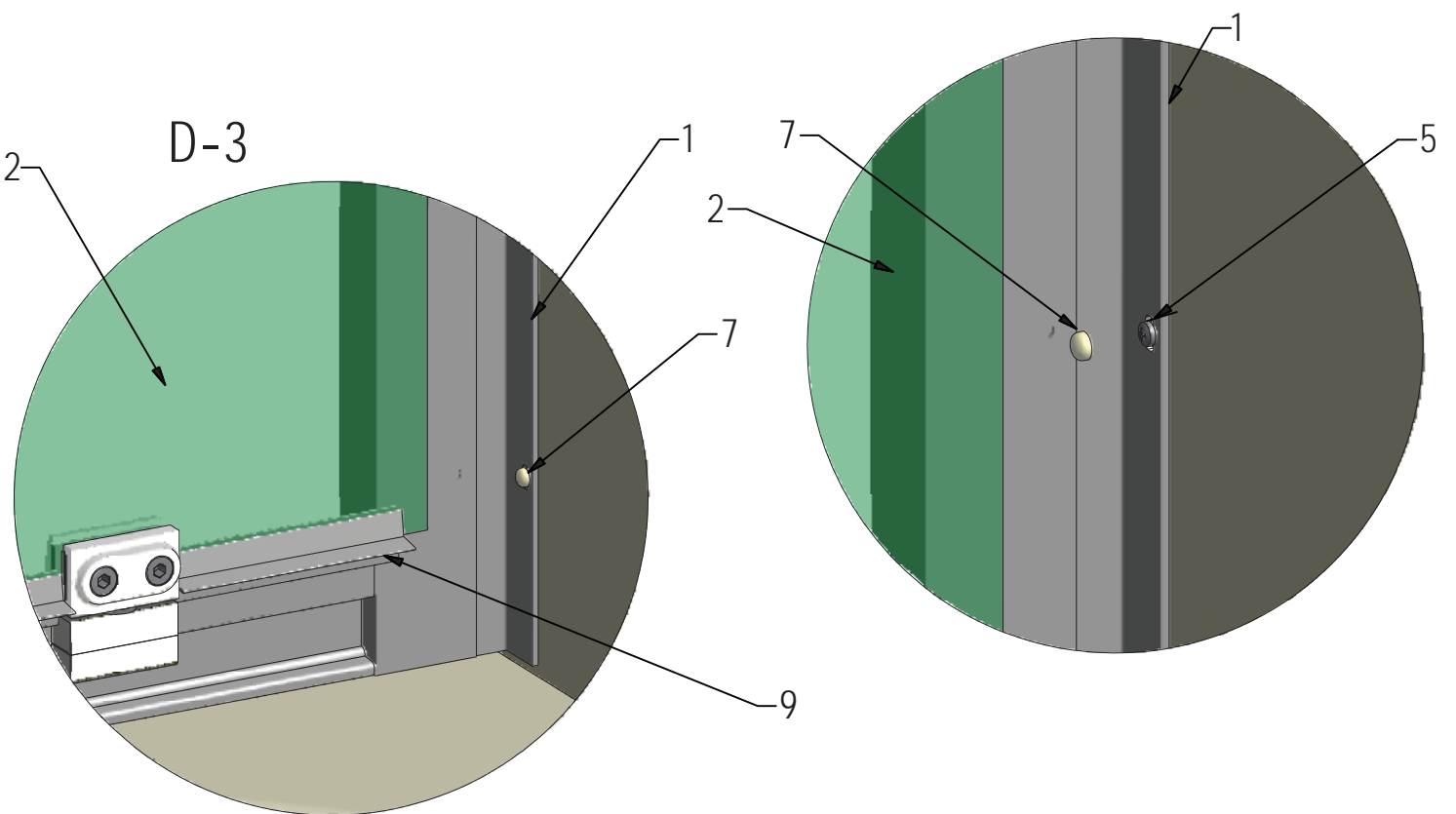
C-2  
6x

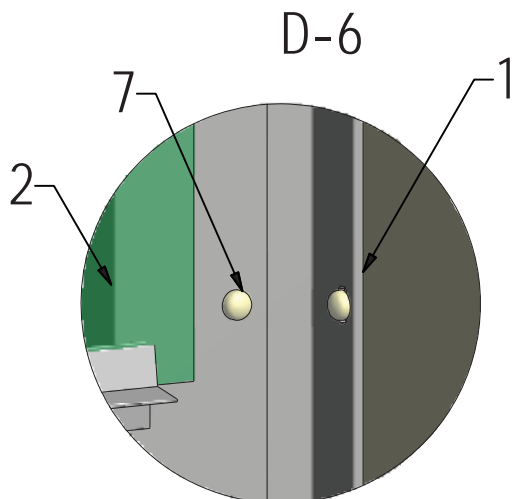
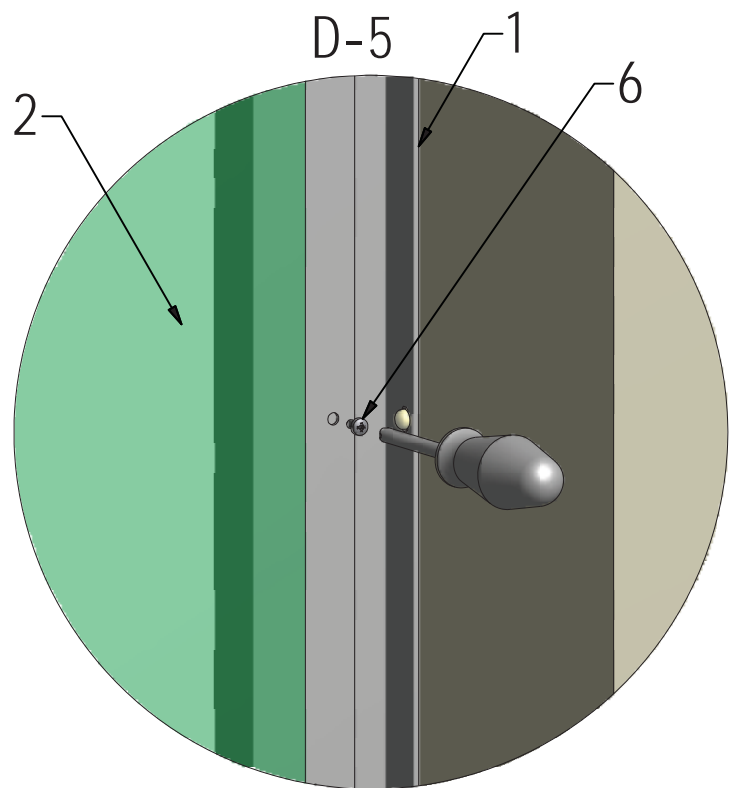
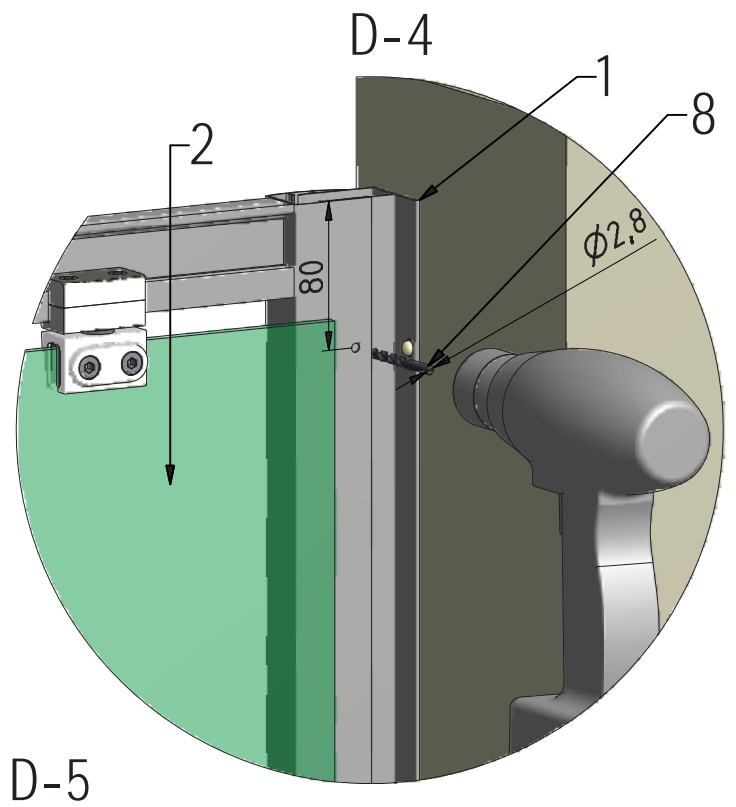
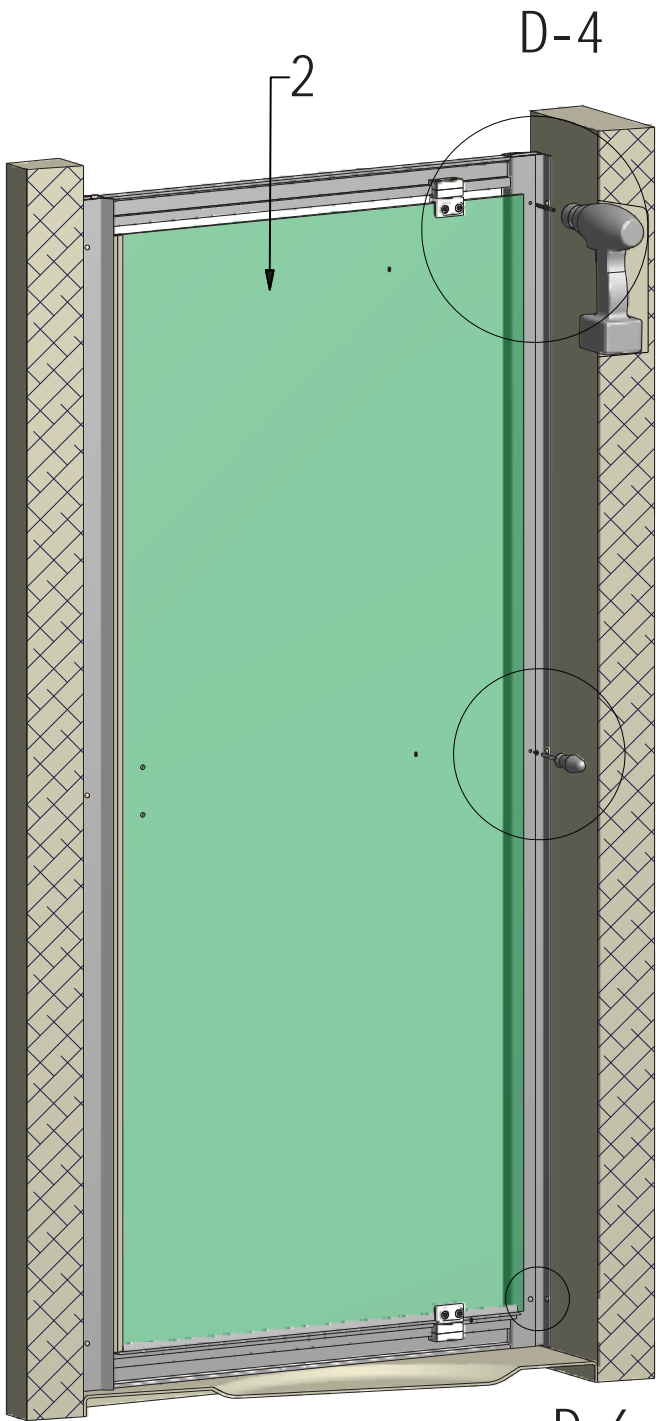
C-3  
6x





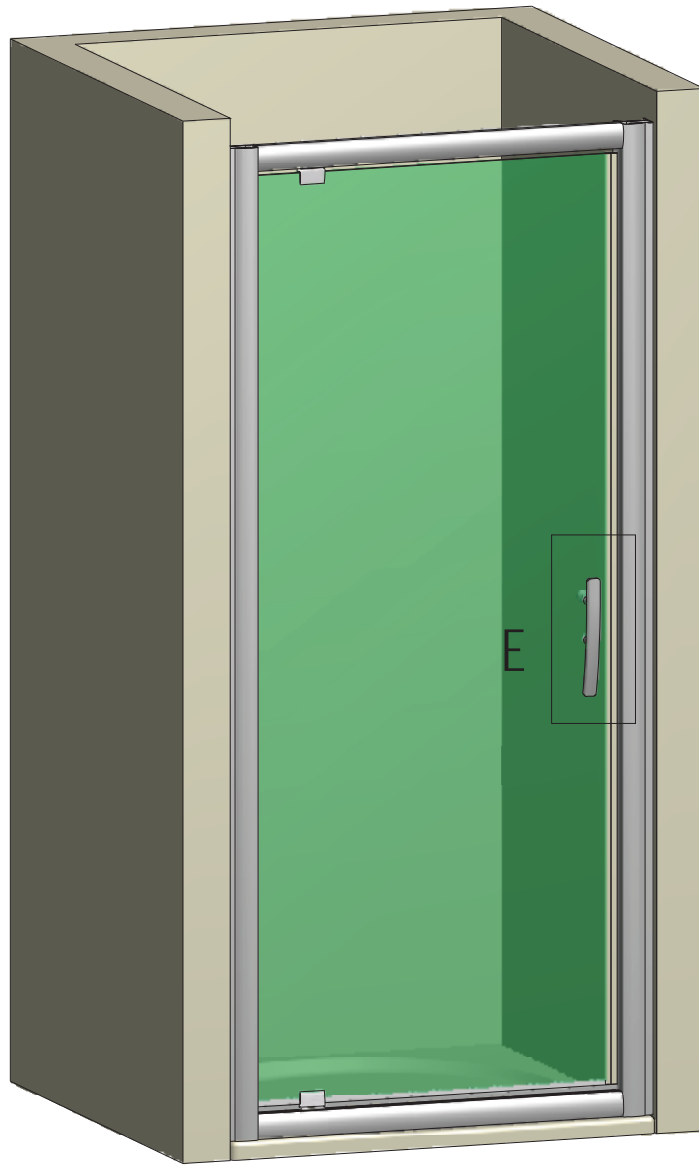
D-2





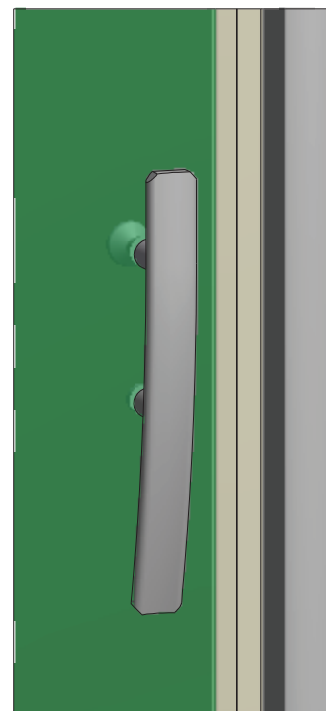
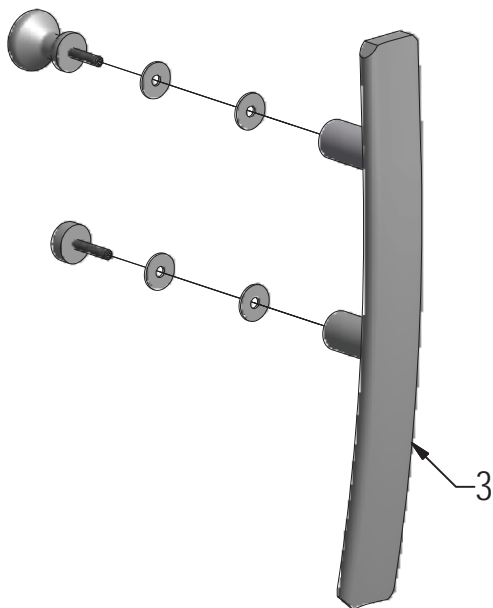
D-6

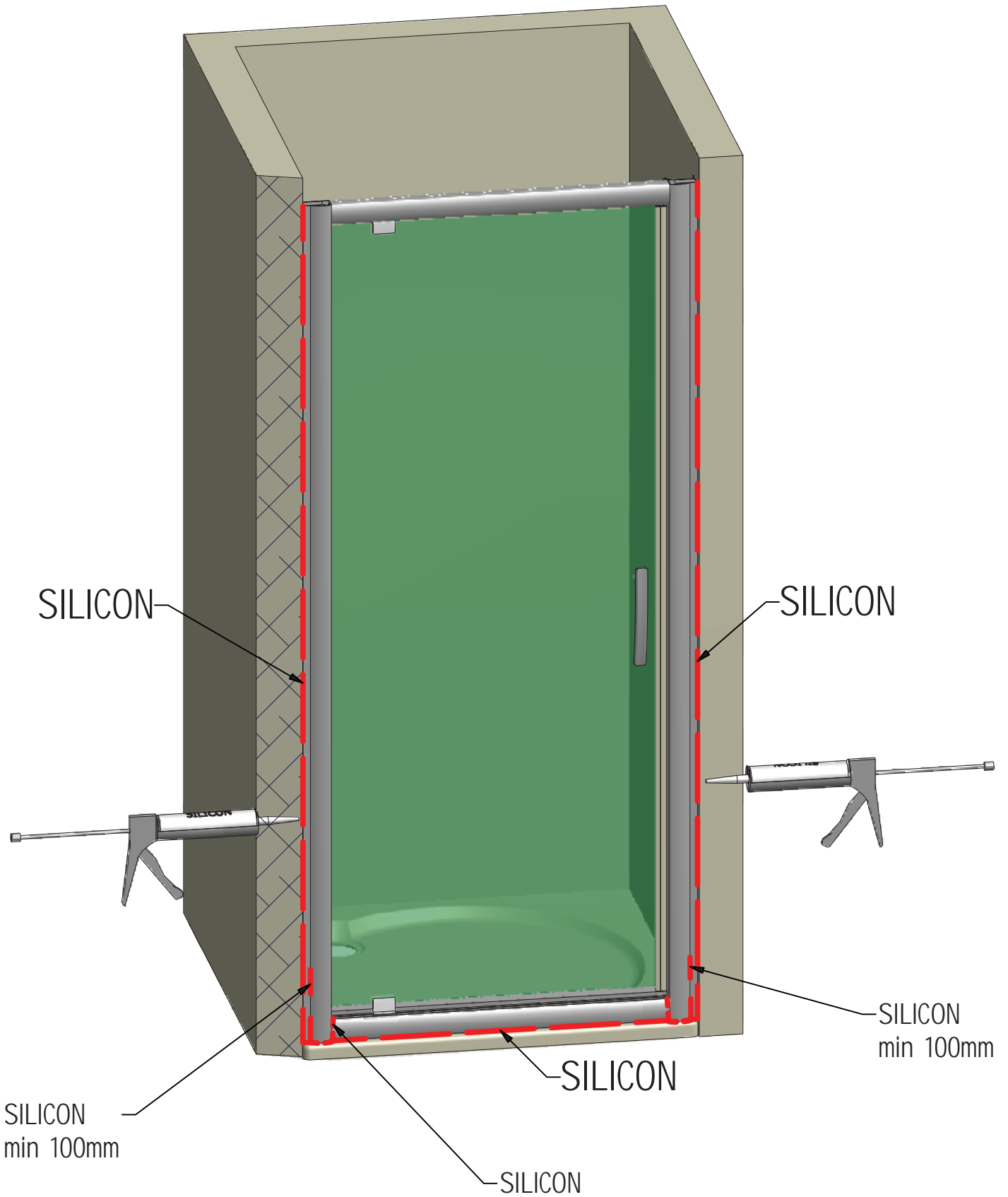


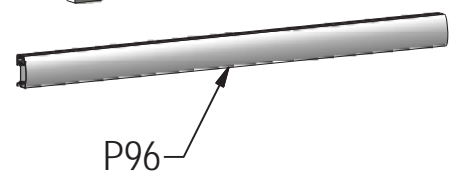
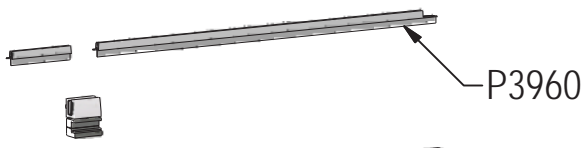
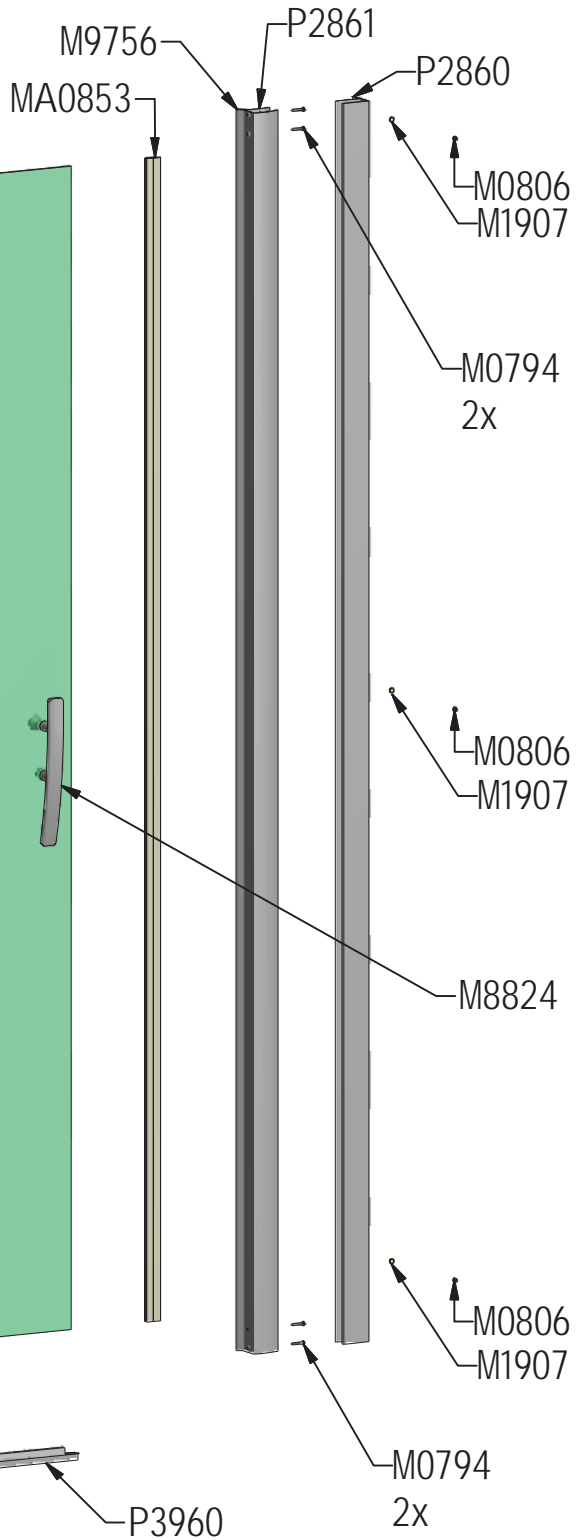
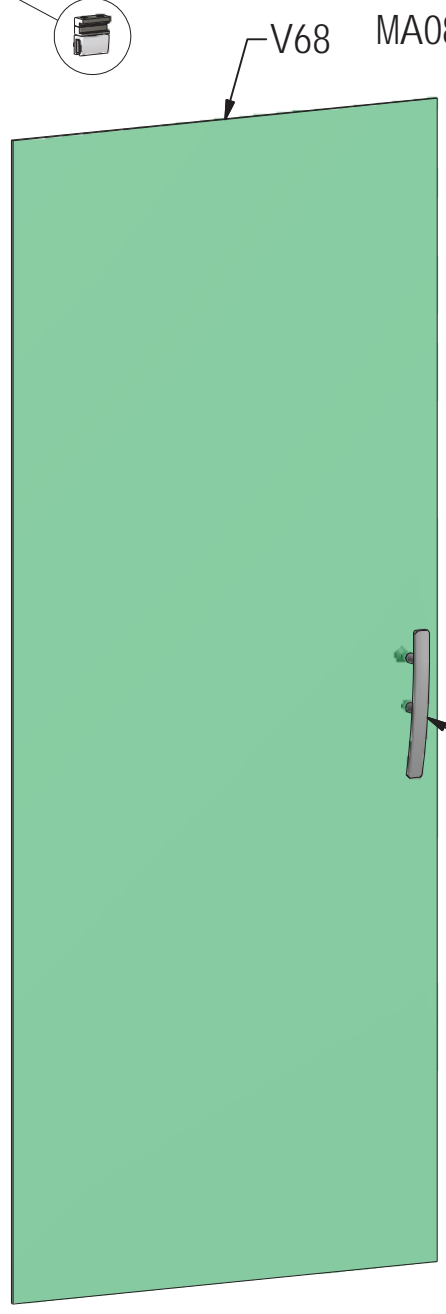
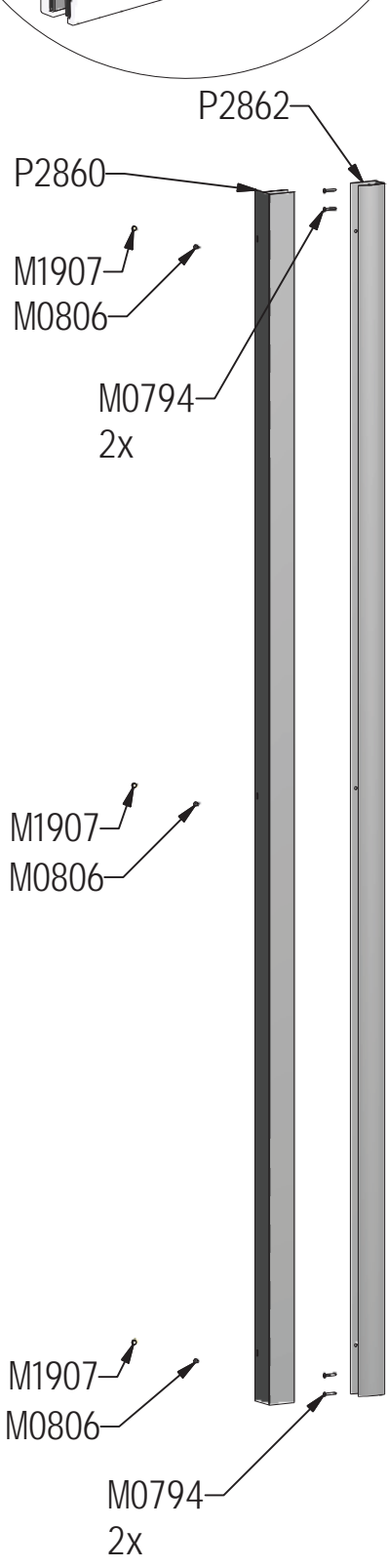
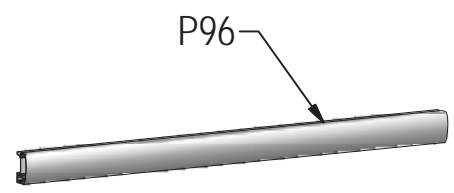
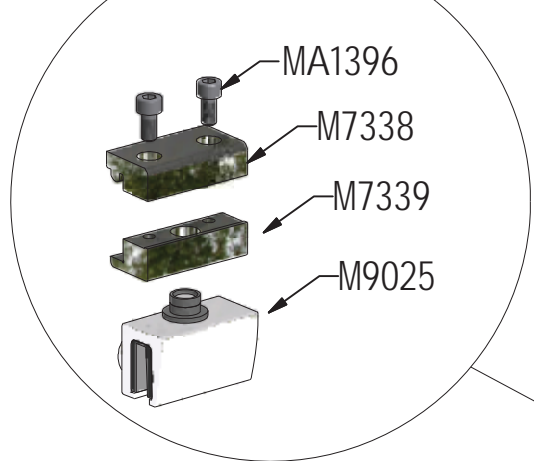


E-1

E-2







P96	800		P2856
	900		P2857
	1000		P2858
	1100		P2859

V68	800	clear glass	ND02-0577-00-02
		satinato glass	ND02-0577-00-15
	900	clear glass	ND02-0578-00-02
		satinato glass	ND02-0578-00-15
	1000	clear glass	ND02-0579-00-02
		satinato glass	ND02-0579-00-15
	1100	clear glass	ND02-0580-00-02
		satinato glass	ND02-0580-00-15