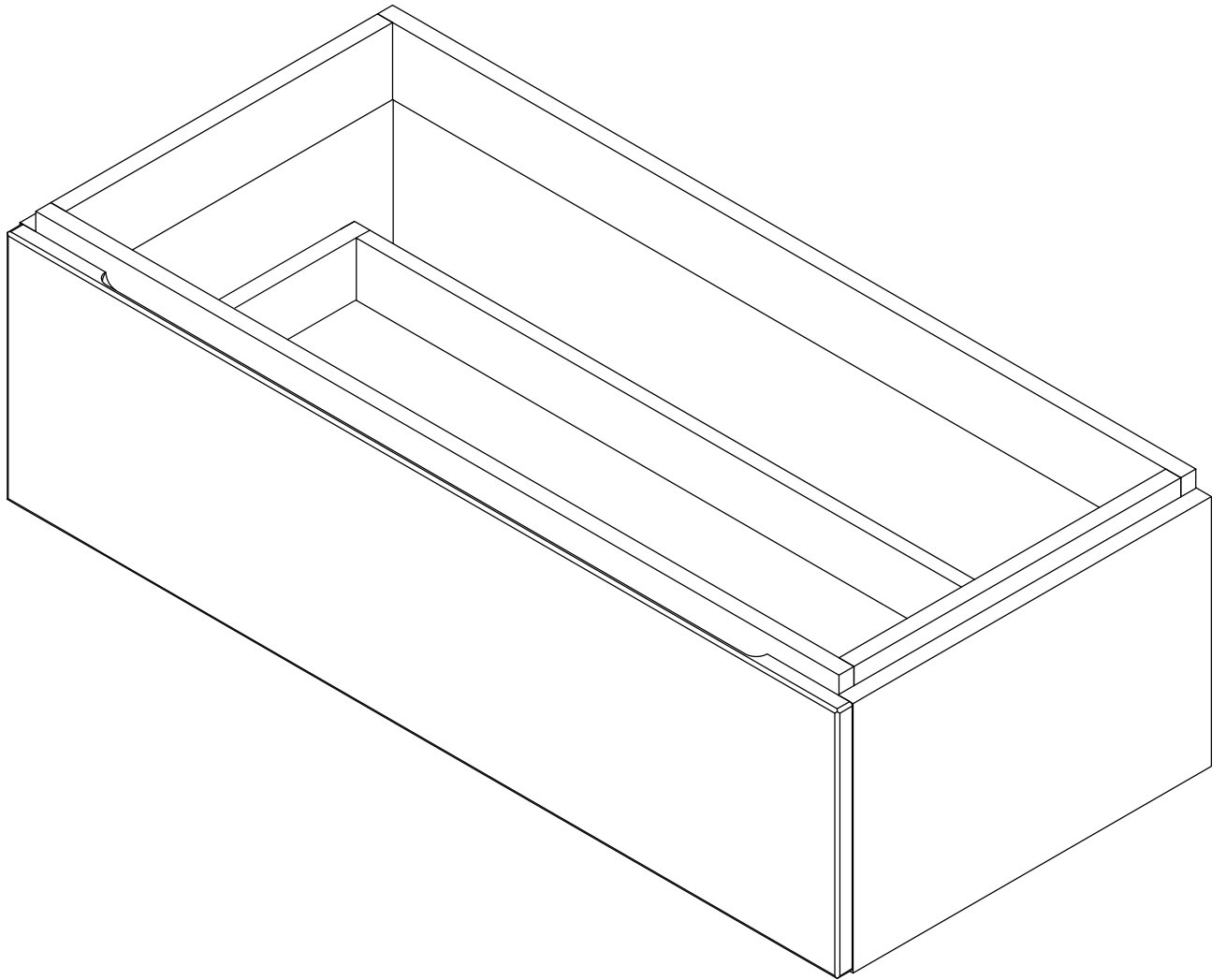


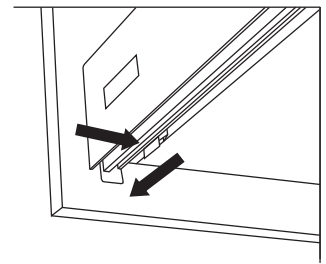
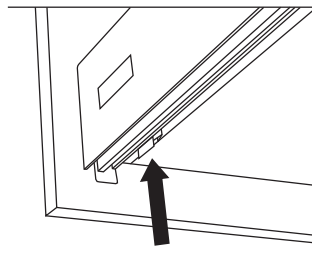
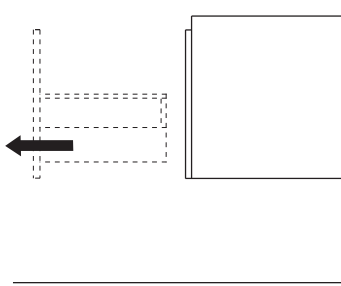


SAT

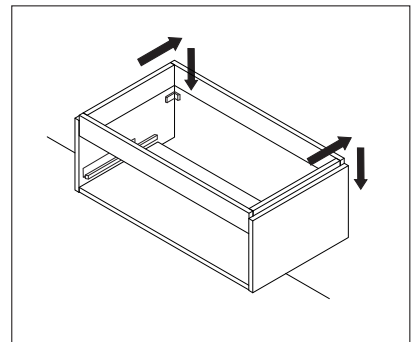
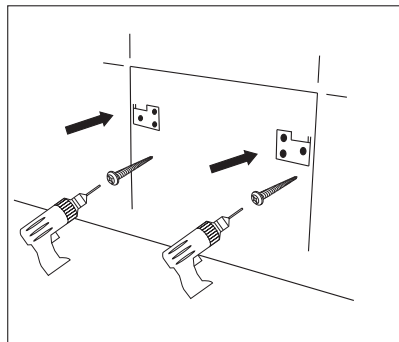
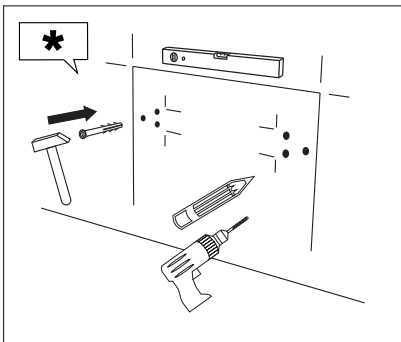
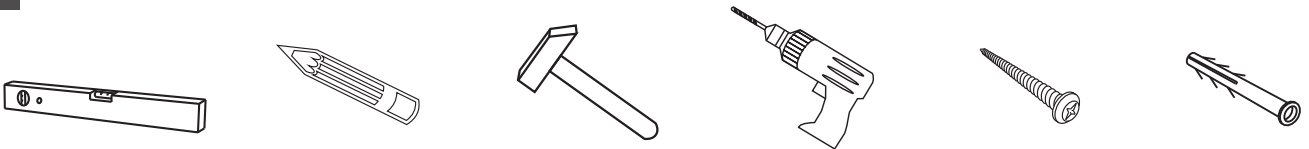
SATFEEL120ANT
SATFEEL120BE



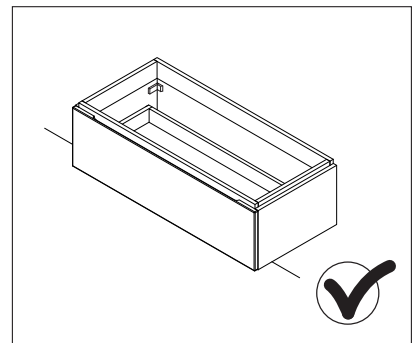
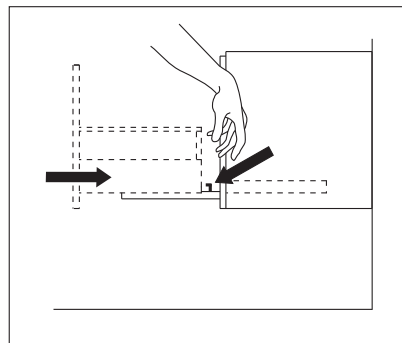
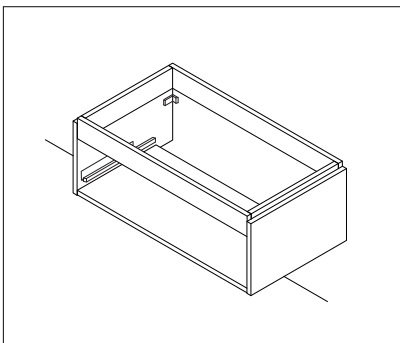
1

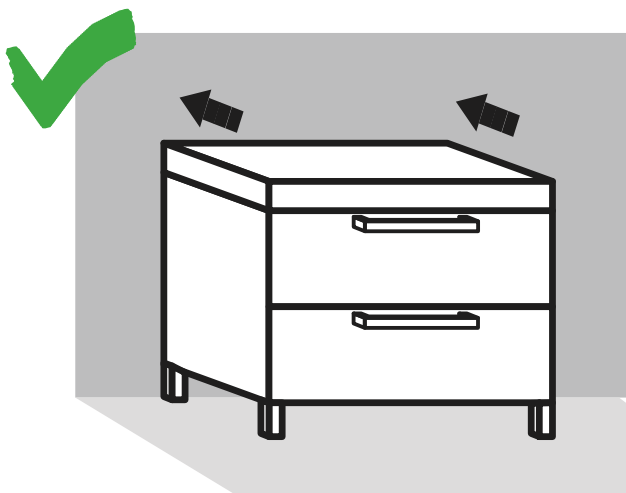
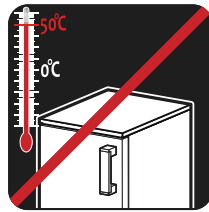
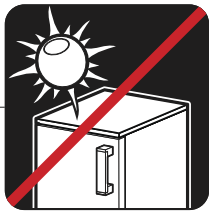
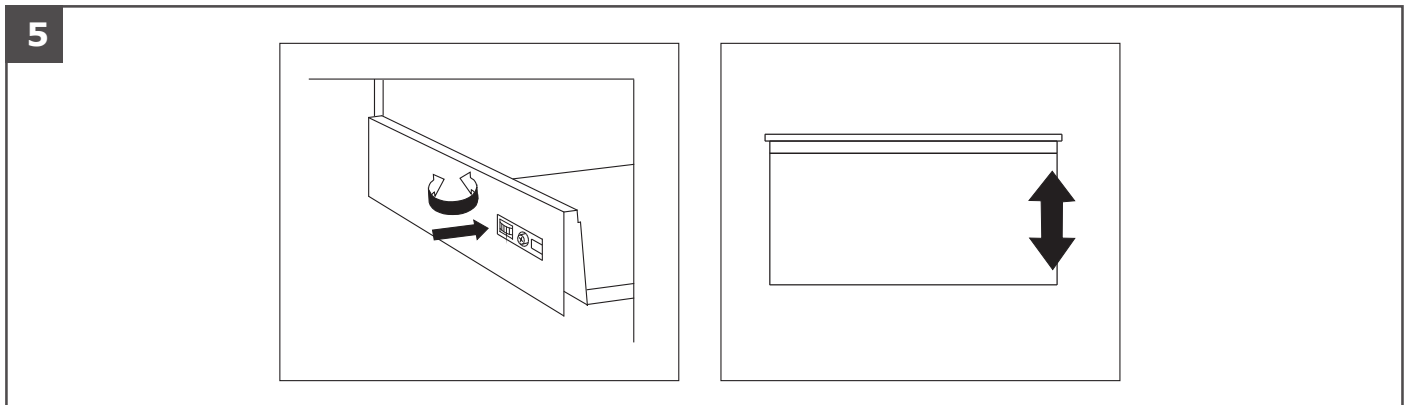
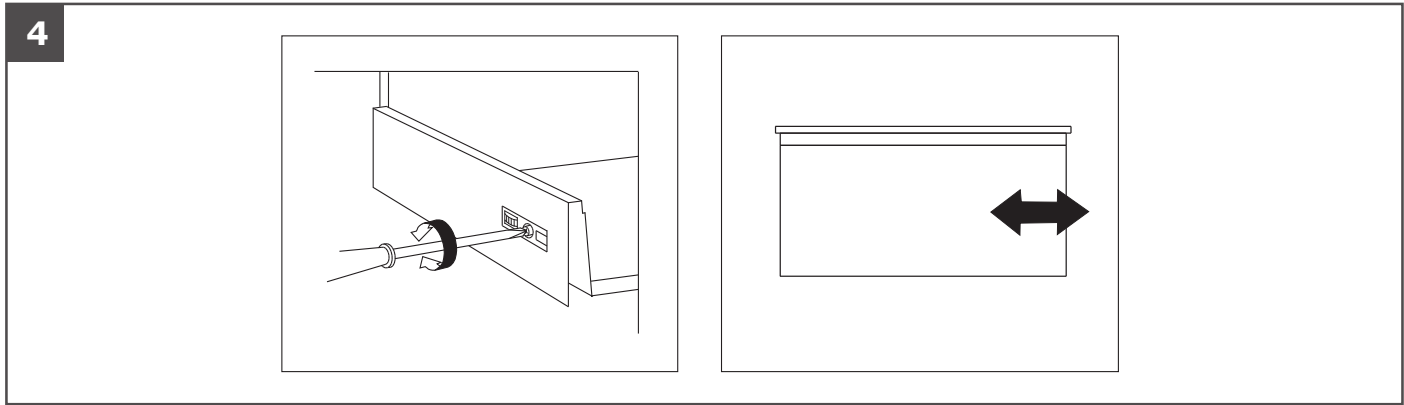


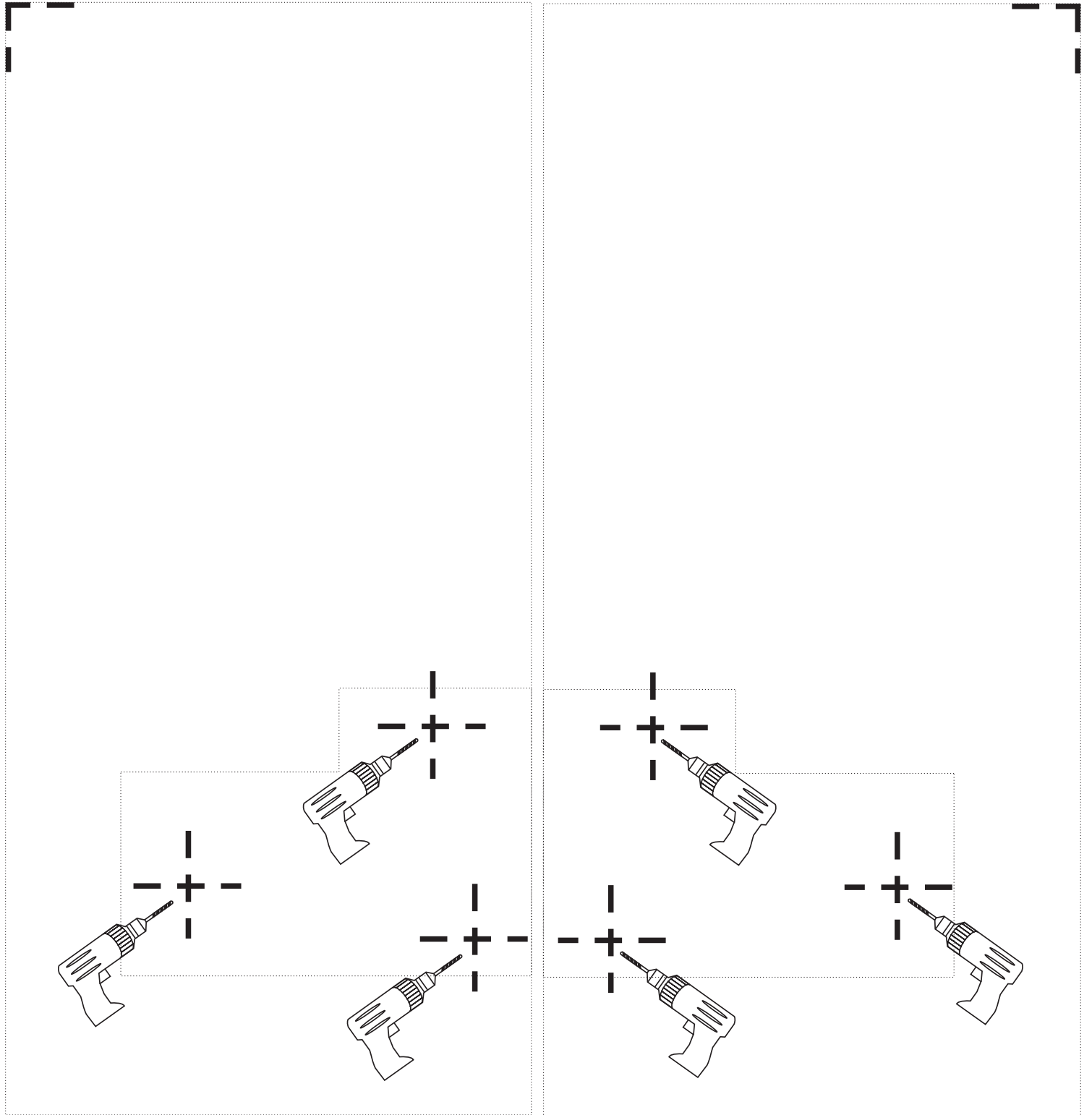
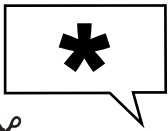
2



3







SAT® is registered trademark of



Swiss Aqua Technologies AG
Gewerbstrasse 9, 6330 Cham, Switzerland
www.swatec.ch
Imported by SIKO KOUPELNY a.s.
Made in Czech Republic