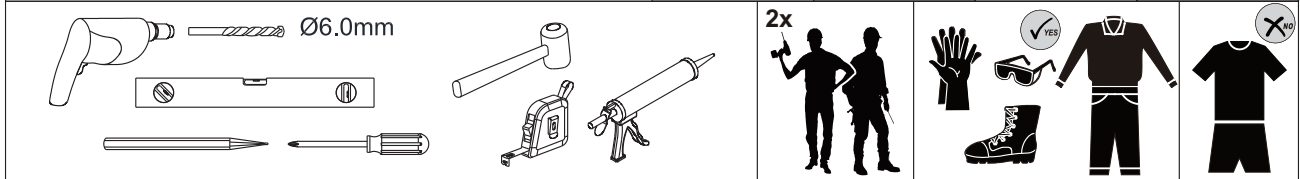
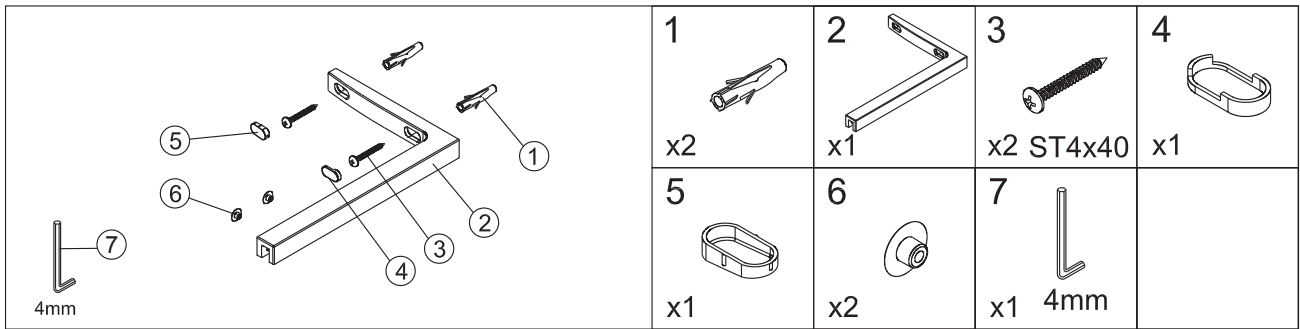


SAT® is registered trademark of

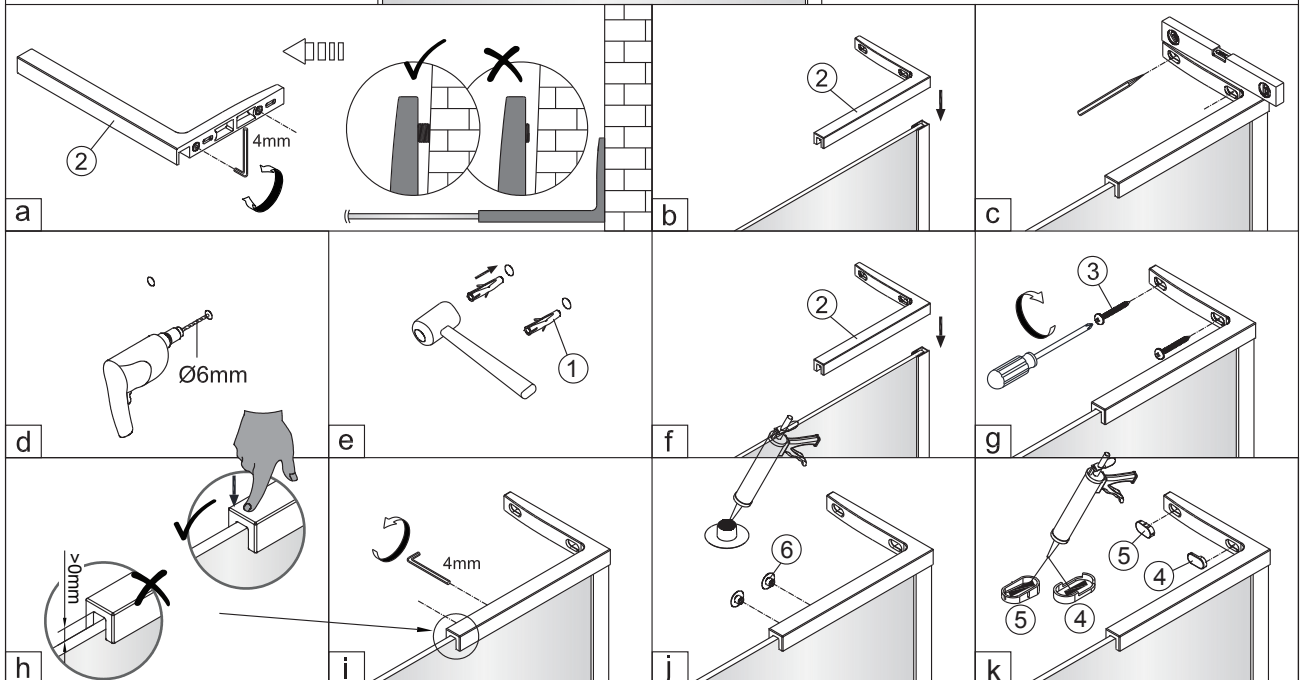
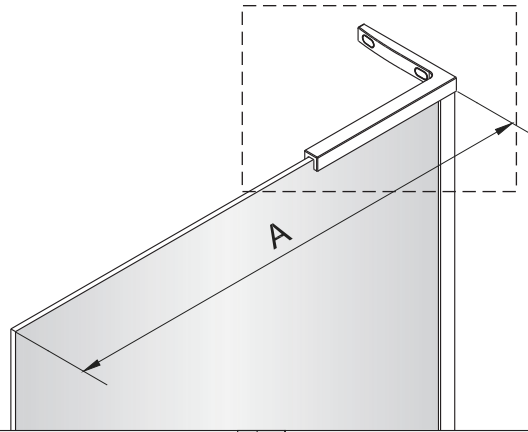


Swiss Aqua Technologies

Swiss Aqua Technologies AG
 Gewerbstrasse 9, 6330 Cham, Switzerland
www.swatec.ch
 Imported by SIKO KOUPELNY a.s.
 Made in P.R.C.



	A(mm)
SIKOWI60	558~566
SIKOWI70	658~666
SIKOWI80	758~766
SIKOWI90	858~866
SIKOWI100	958~966
SIKOWI110	1058~1066
SIKOWI120	1158~1166
SIKOWI140	1358~1366



SAT® is registered trademark of



**Swiss
Aqua
Technologies**

Swiss Aqua Technologies AG
Gewerbstrasse 9, 6330 Cham, Switzerland
www.swatec.ch
Imported by SIKO KOUPELNY a.s.
Made in P.R.C.