

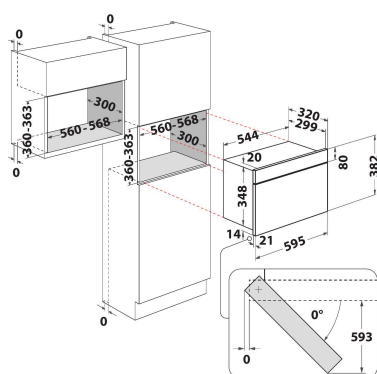
# AMW 423/IX

12NC: 858742301900

GTIN (EAN) code: 8003437394799

Whirlpool

SENSING THE DIFFERENCE



## MAIN FEATURES

Product group	Microwave
Commercial code	AMW 423/IX
Main colour of product	Stainless steel
Type of micro-wave oven	MW only
Construction type	Built-in
Type of control	Electronic
Type of control settings	LED
Additional cooking method Grill	Ne
Crisp	Ne
Steam	Ne
Additional cooking method Fan cooking	Ne
Clock	Ano
Automatic programmes	Ne
Height of the product	382
Width of the product	595
Depth of the product	320
Minimum niche height	360
Minimum niche width	556
Niche depth	300
Net weight (kg)	21
Cavity capacity (l)	22
Turntable	Ano
Turntable diameter (mm)	250
Integrated Cleaning system	Ne

## TECHNICAL FEATURES

Current (A)	10
Voltage (V)	230
Frequency (Hz)	50
Length of Electrical Supply Cord (cm)	135
Plug type	Schuko
Timer	Ano
Grill power (W)	0
Type of grill	N/A
Cavity material	Painted
Interior light	Ano
Additional cooking method Grill	Ne
Position of interior lights of the cavity	Right side

## ENERGETICKÝ ŠTÍTEK

6th Sense / Dynamic Intelligence	Ne
Number of power levels	4
Maximum micro-wave power (W)	750
Bread Defrost	Ne
Jet Defrost	Ano
Jet Start	Ano