



**SATAUR3618xx**  
**SATAUR4022xx**



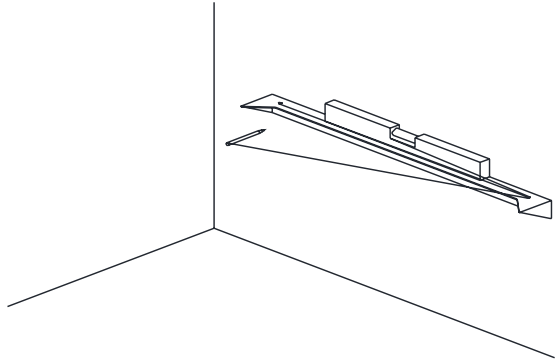
ios



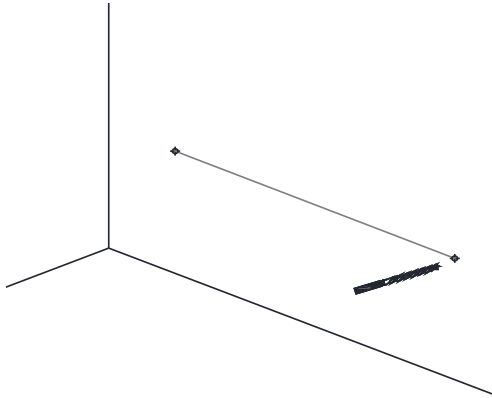
android



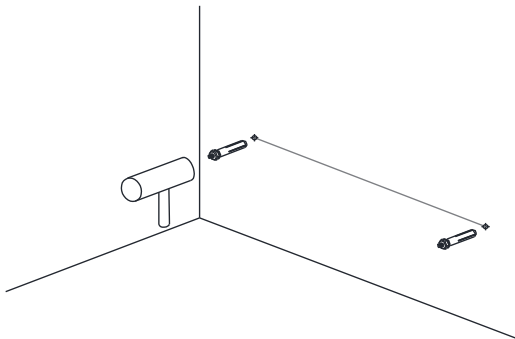
1



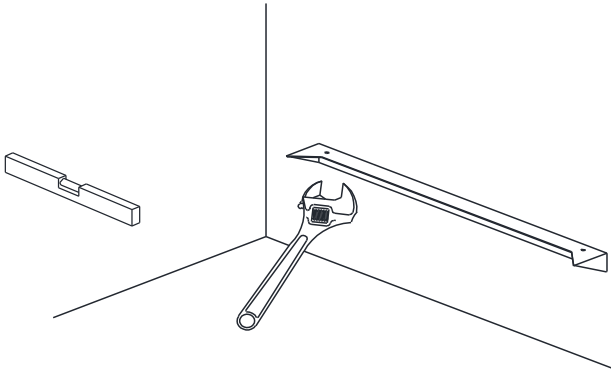
2



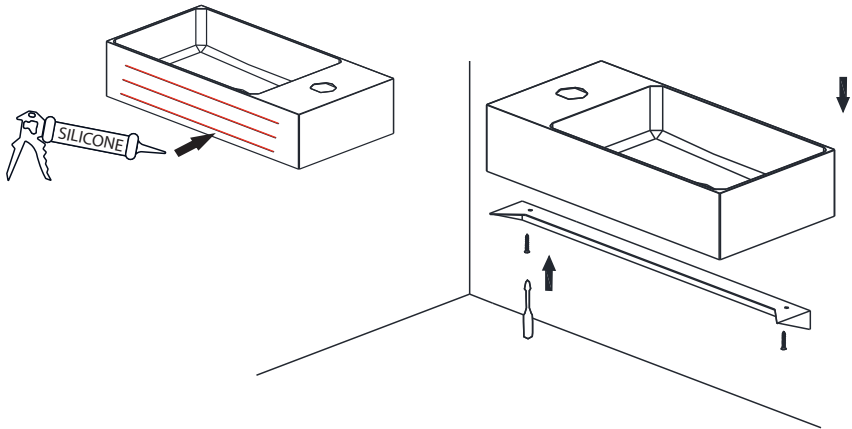
3



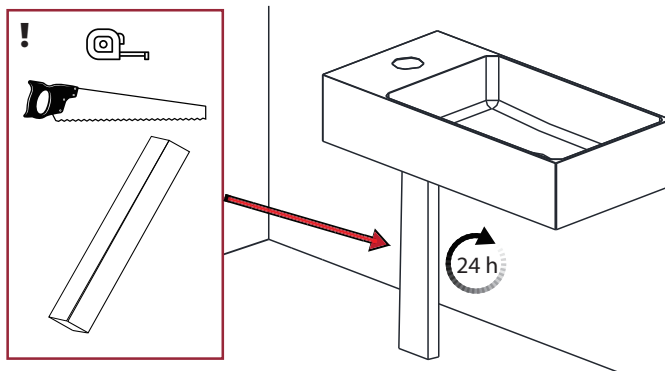
4

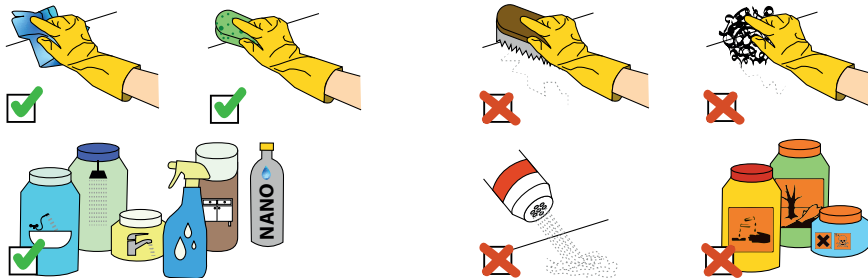
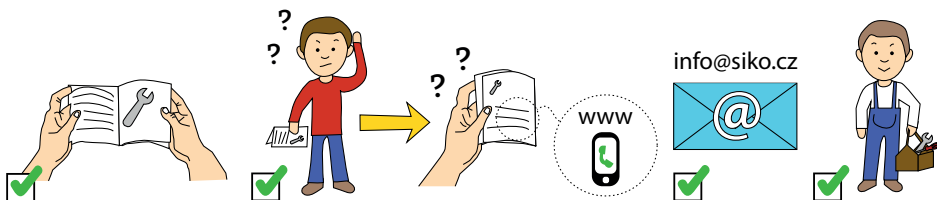
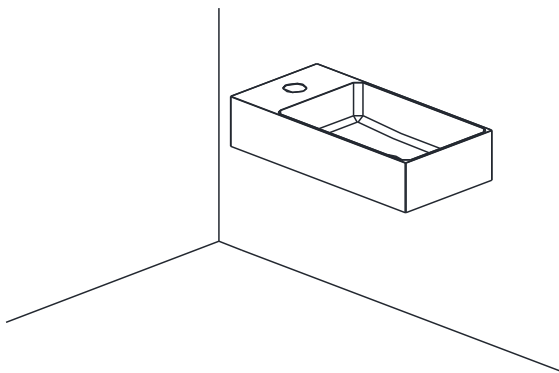


5



6





SAT<sup>®</sup> is registered trademark of



**Swiss  
Aqua  
Technologies**

**Swiss Aqua Technologies AG**  
Gewerbstrasse 9, 6330 Cham, Switzerland  
[www.swatec.ch](http://www.swatec.ch)  
Imported by SIKO KOUPELNY a.s.  
Made in P.R.C.