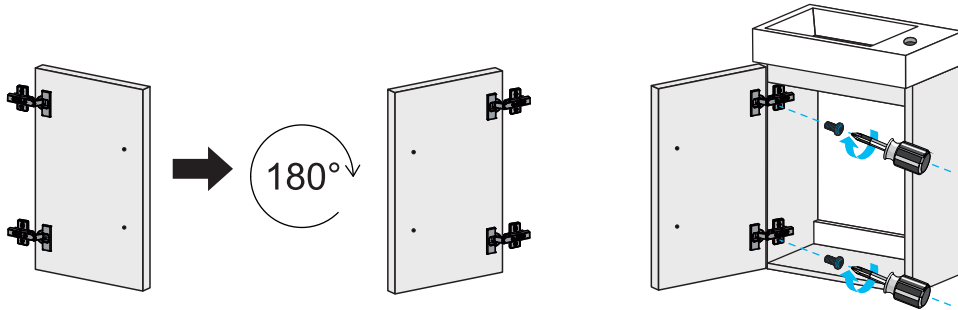
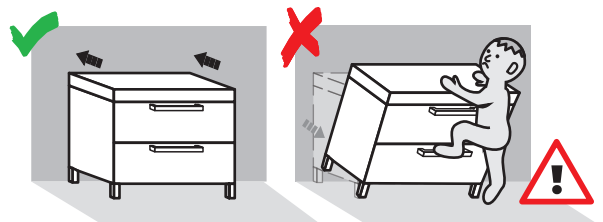
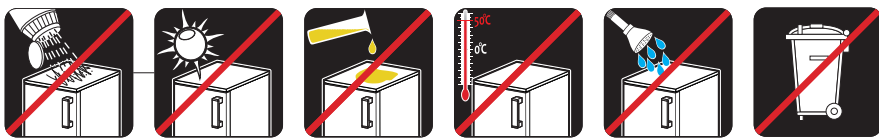
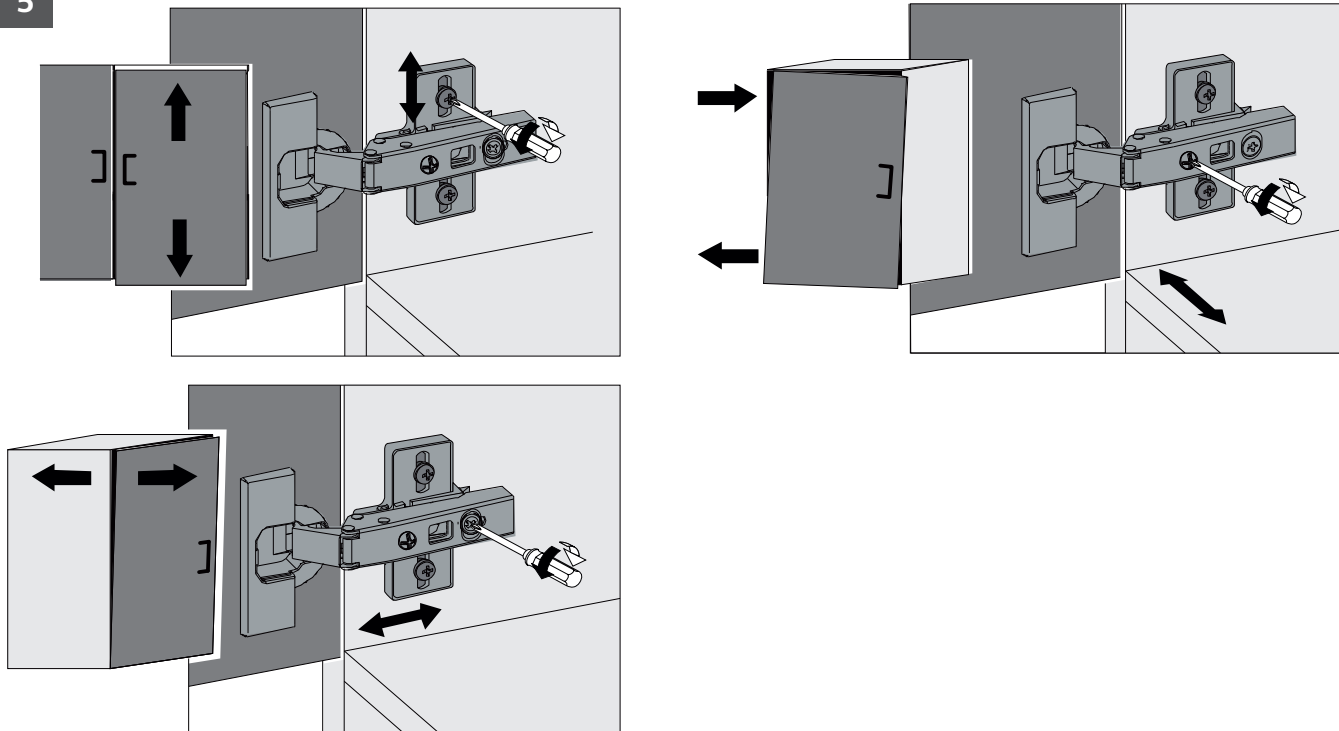


4



5



SAT® is registered trademark of

