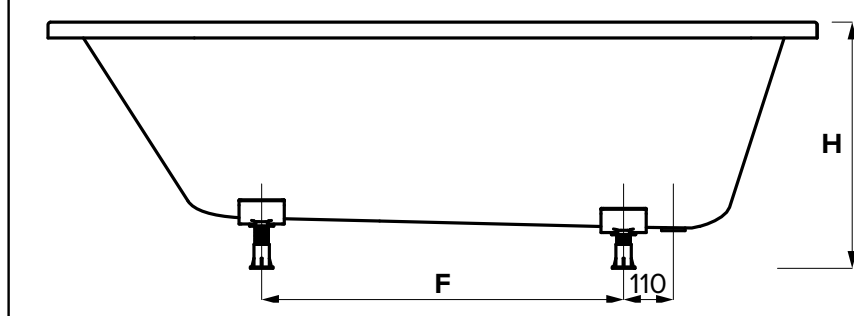
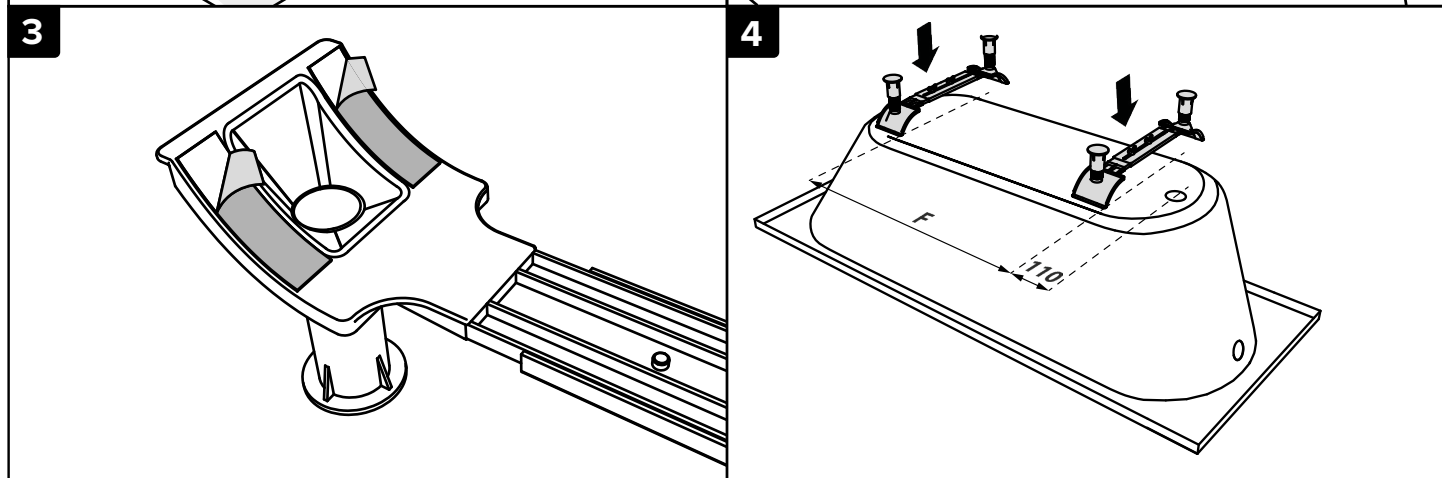
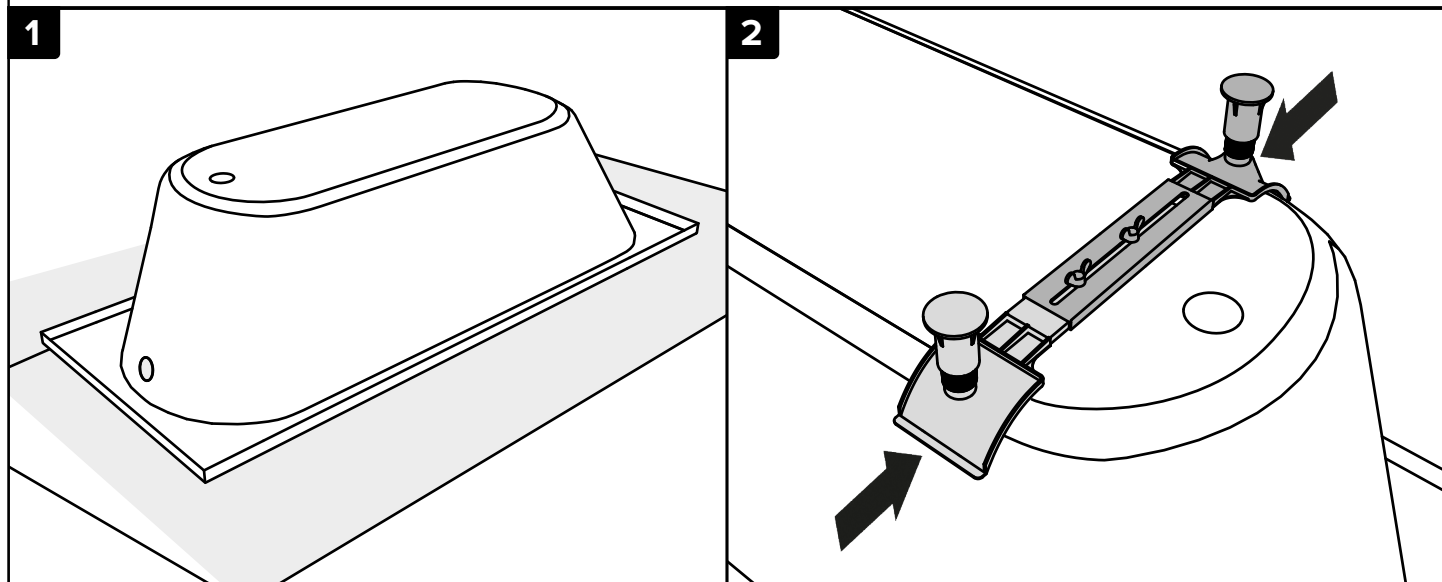
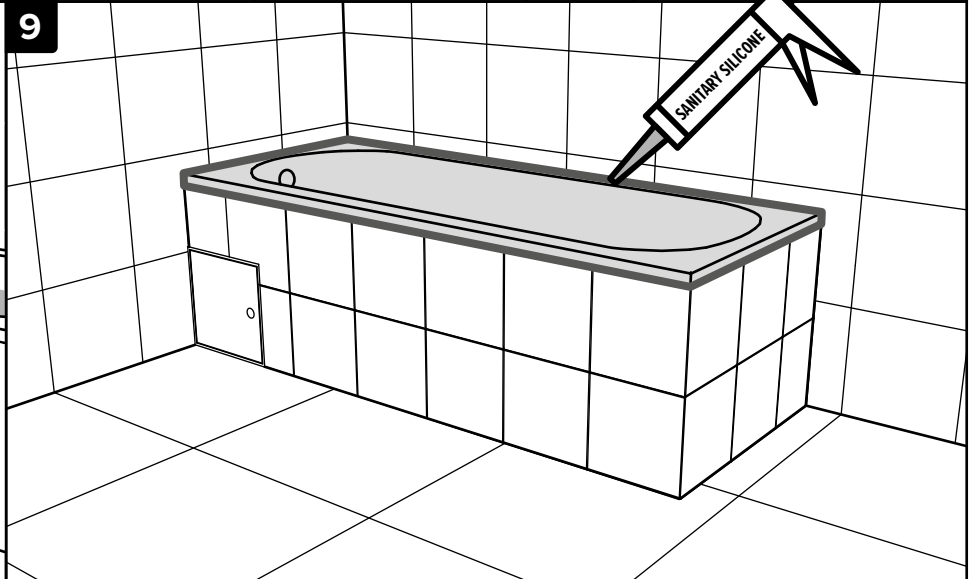
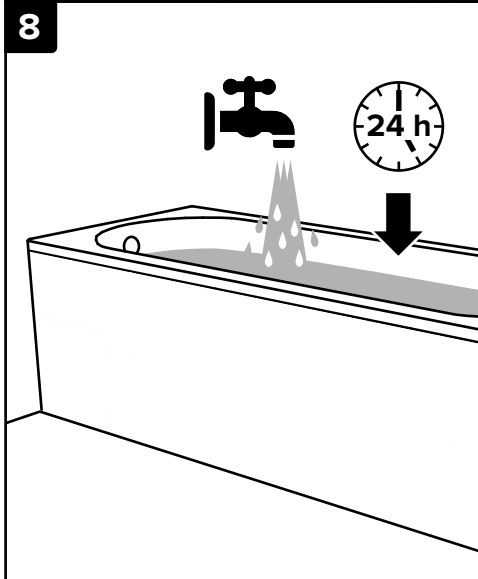
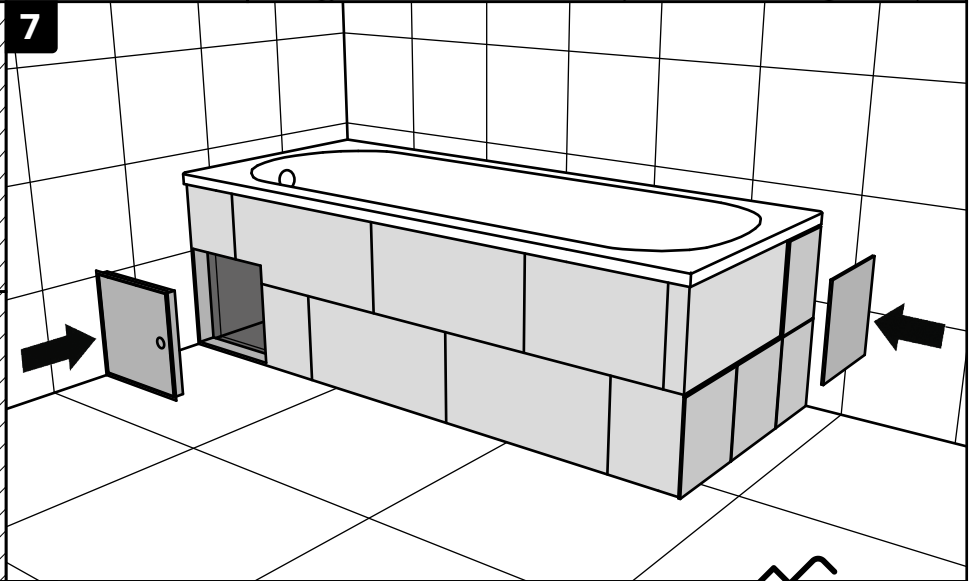
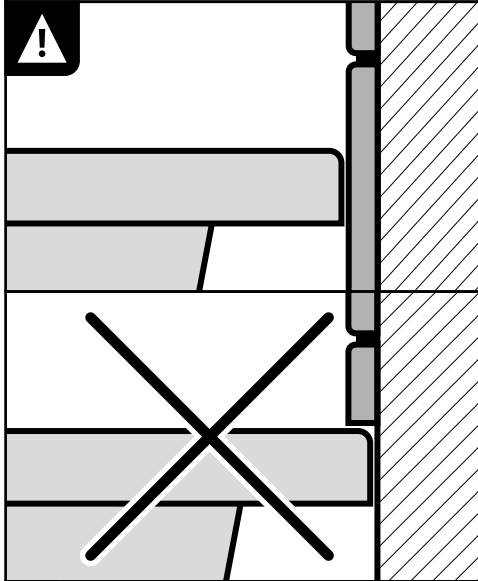
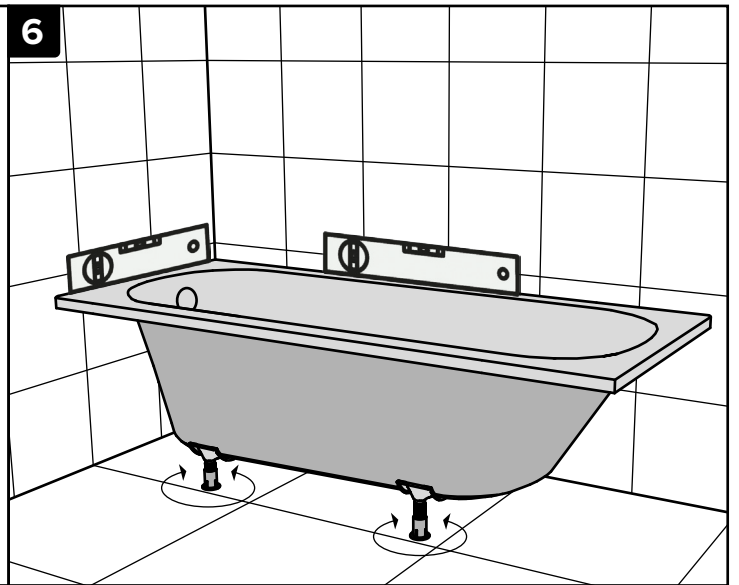
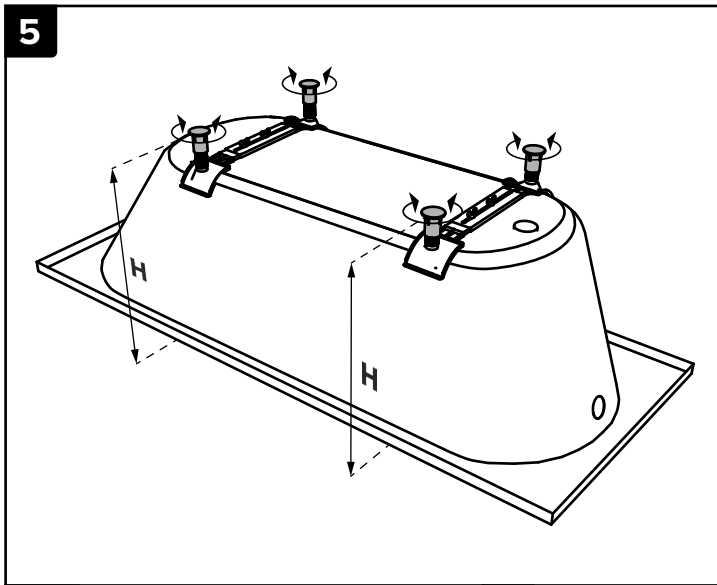


**i**



	mm	F	H
<b>SATVPRO120</b>	1200	370	520 – 570
<b>SATVPRO140</b>	1400	570	520 – 570
<b>SATVPRO150</b>	1500	750	520 – 570
<b>SATVPRO160</b>	1600	750	520 – 570
<b>SATVPRO170</b>	1700	850	520 – 570





SAT® is registered trademark of



**Swiss  
Aqua  
Technologies®**

Swiss Aqua Technologies AG  
Gewerbstrasse 9, 6330 Cham, Switzerland  
[www.swatec.ch](http://www.swatec.ch)