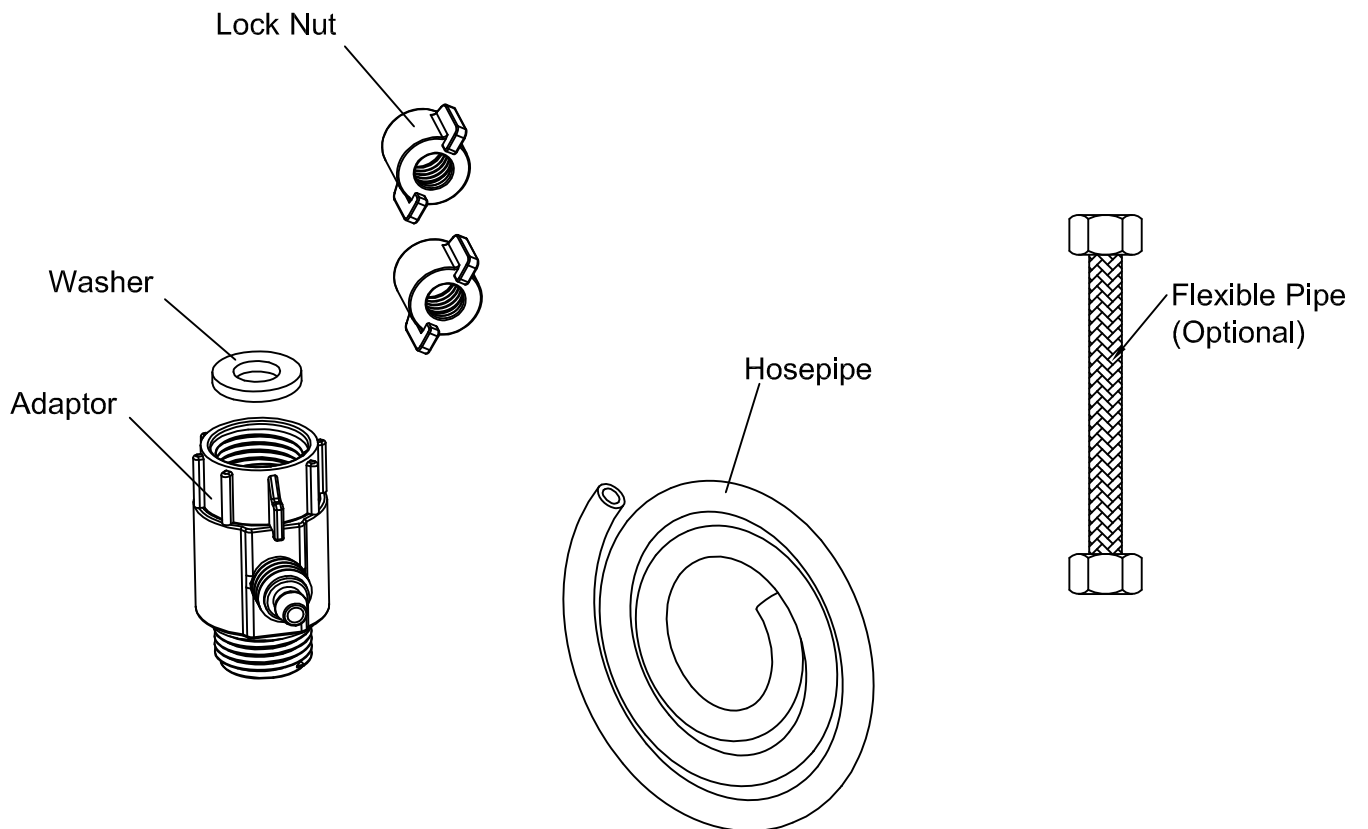
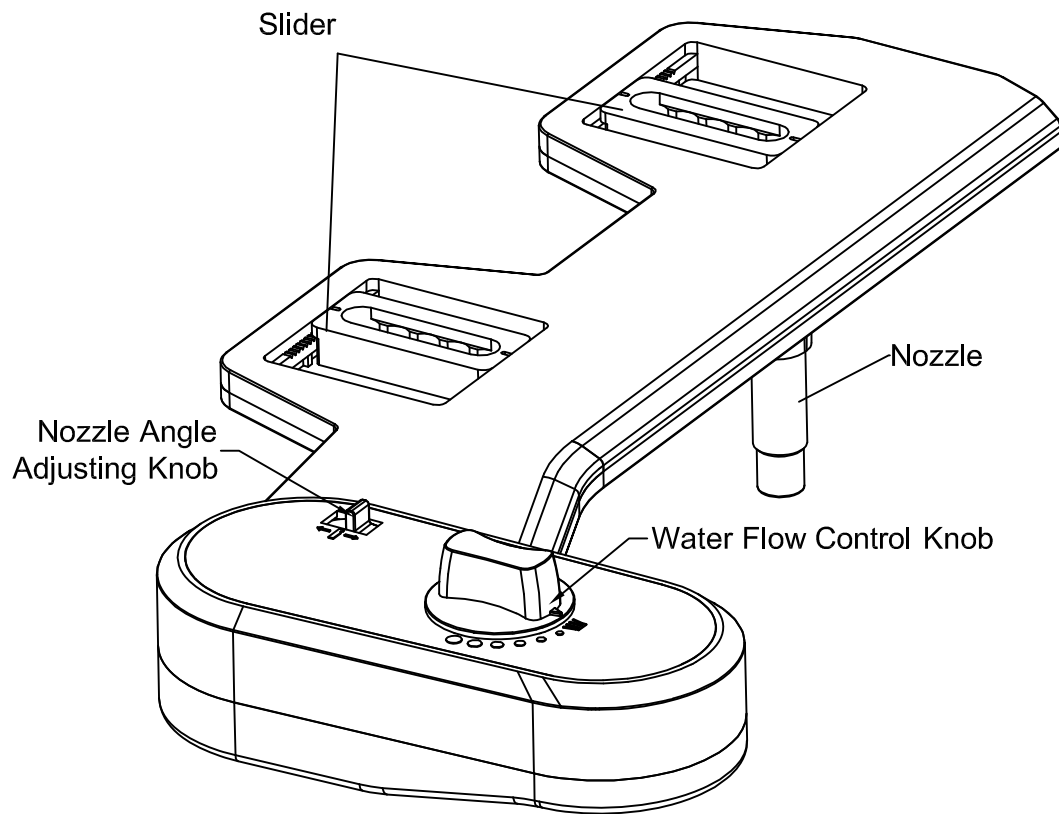


Installation Instruction

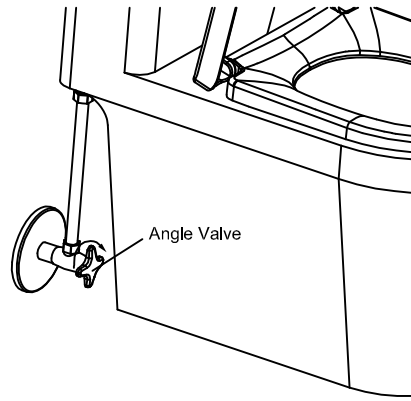
MT002 Cold Water Bidet

Components List



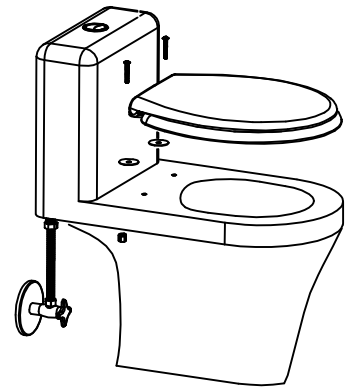
Installation Steps

1



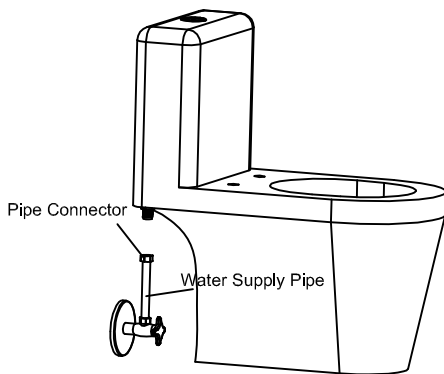
Turn off the angle valve, and then flush out all the water in the tank

2



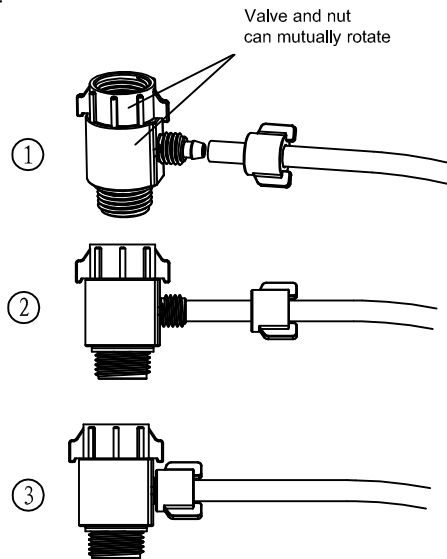
Remove the existing seat cover, and keep all the parts

3



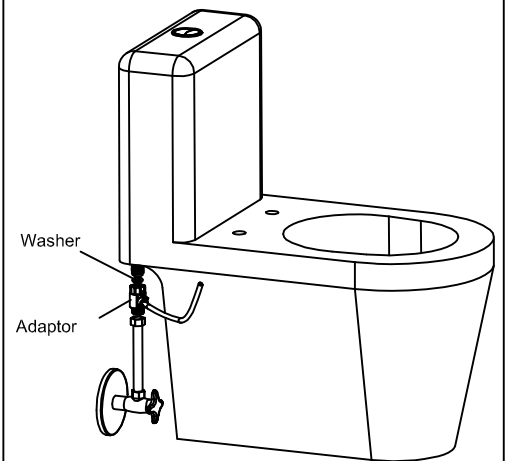
a. Without flexible pipe:
unscrew the pipe connector
b. With flexible pipe:
take off the water supply pipe
and then place the flexible pipe
instead

4



Connect the hosepipe to the adaptor

5



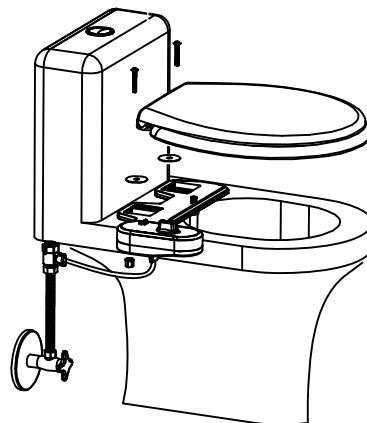
Connect the adaptor to the water supply pipe

6



Connect the hosepipe to the bidet

7



Replace the existing seat cover to the stool

8



Rotate the knob as illustrated, turn on the angle valve and then check if there is any seepage and leakage for each joint

Specification

Model	MT002
Voltage	Non-electric
Water Supply Mode	Connect to the cold water supply pipe directly
Angle of Nozzle	Adjustable
Water Temperature for self-cleaning	Cold water
Self-cleaning	NO
Water Temperature	3°~ 35°
Room Temperature	3°~ 40°
Water Pressure	0.05 MPa ~0.6 MPa
Distance between Holes Axis	138 ~ 202 mm
Item Size	430x245x103mm

Trouble Shooting

Issues	Measures
The spray nozzle has no water	<ol style="list-style-type: none">1.The water supply is cut off2.The angle valve is closed3.The spray nozzle is clogged4. Low water pressure5. Water supply pipe is bended
Low water pressure	<ol style="list-style-type: none">1. The water flow control knob is adjusted to be low position2. Water supply pipe is bended