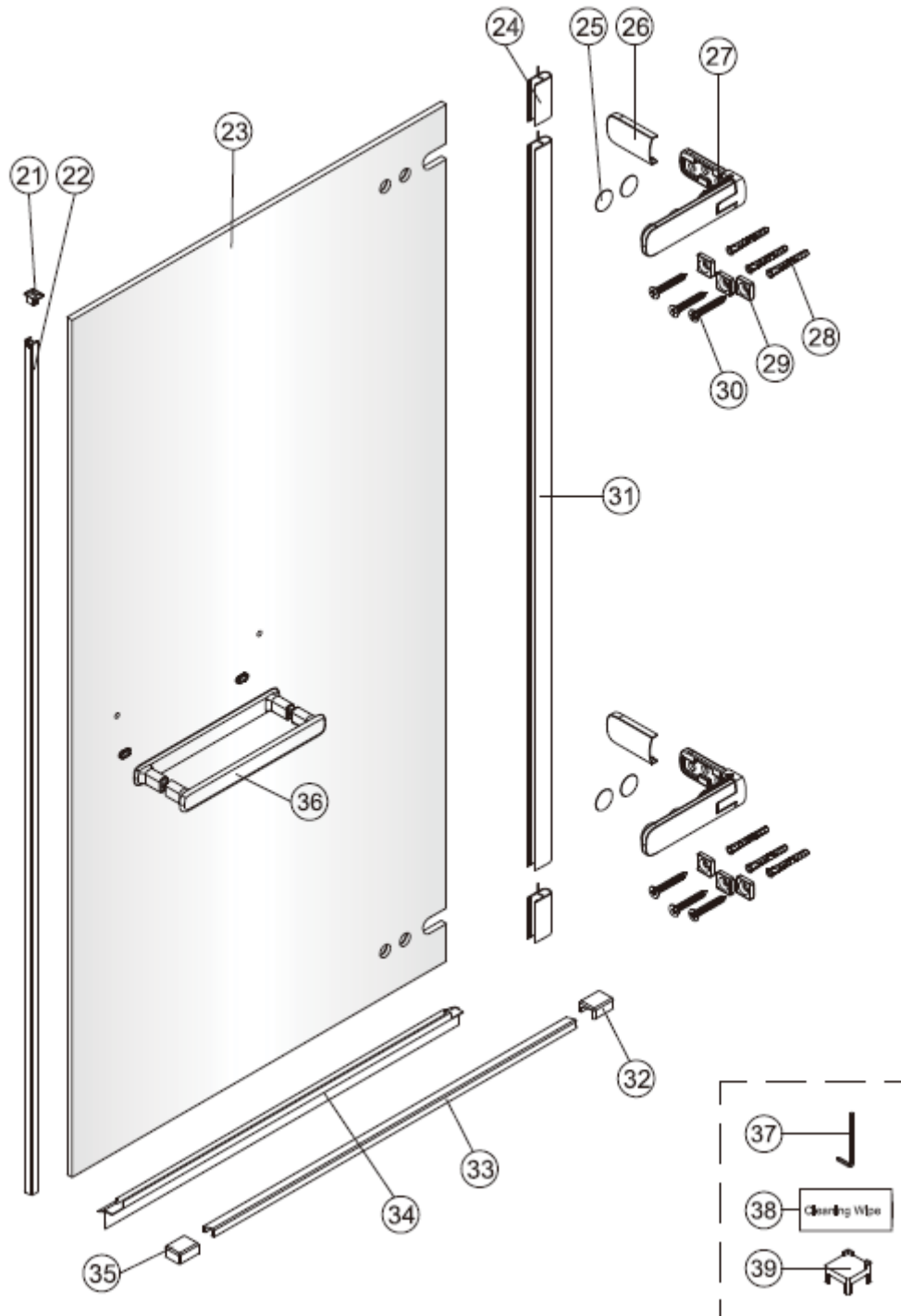


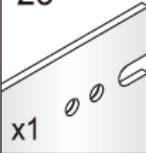









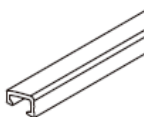
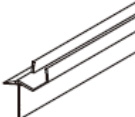

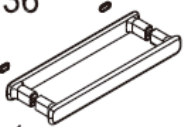


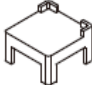


SATTGDO80CRT
SATTGDO90CRT
SATTGDO100CRT



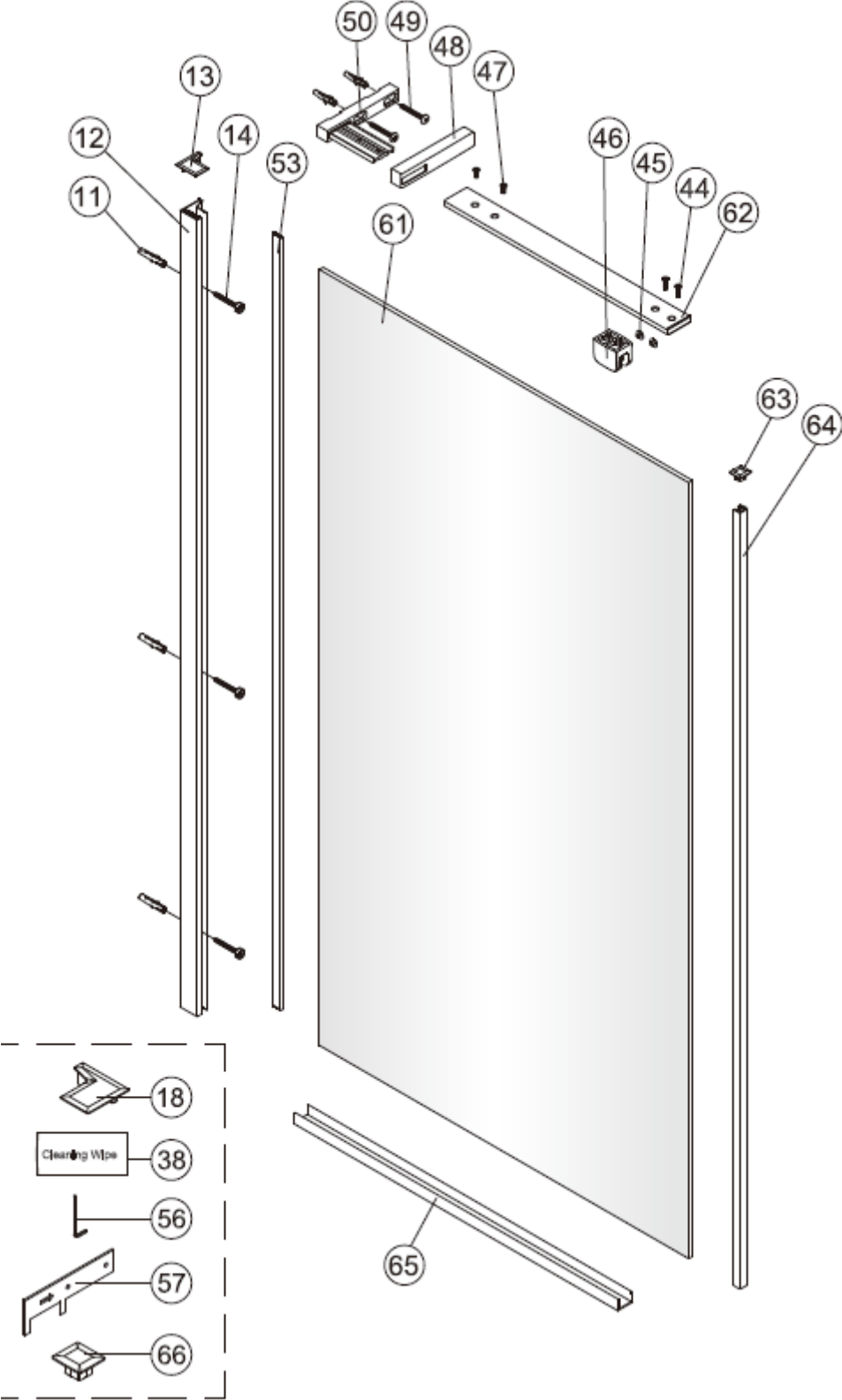
21		NDSATTGDNOCR21
22		NDSATTGDNOCR22
23	80	NDSATTGDO8023
	90	NDSATTGDO9023
	100	NDSATTGDO10023
24		NDSATTGDOCR24
25		NDSATTGDNOCR25
26		NDSATTGDOCR26
27		NDSATTGDOCR27
28		-
29		NDSATTGDOCR29
30		-
31		NDSATTGDOCR31
32		NDSATTGDNOCR32
33	80	NDSATTGDO80CR33
	90	NDSATTGDO90CR33
	100	NDSATTGDO100CR33
34	80	NDSATTGDO80CR34
	90	NDSATTGDO90CR34
	100	NDSATTGDO100CR34
35		NDSATTGDNOCR35
36		NDSATTGDNOCR36

21  x1	22  x1	23  x1	24  x2	25  x4
26  x2	27  x2	28  x6	29  x6	30  x6 ST5X45
31  x1	32  x1	33  x1	34  x1	35  x1
36  x1	37  x1 5mm	38  x1	39  x1	

SATTGDNSTENA80CRT

SATTGDNSTENA90CRT

SATTGDNSTENA100CRT



12		NDSATTGDNCR12
13		NDSATTGDN13CR
18		NDSATTGDN18CR
45		NDSATTGDNCR45
46		NDSATTGDNCR46
48		NDSATTGDNCR48
50		NDSATTGDNCR50
53		NDSATTGDN53
62		NDSATTGDNSTENACR62
63		NDSATTGDNSTENA63
64		NDSATTGDNSTCR64
65	80	NDSATTGDNST80CR65
	90	NDSATTGDNST90CR65
	100	NDSATTGDNST100CR65
66		NDSATTGDNSTENA66