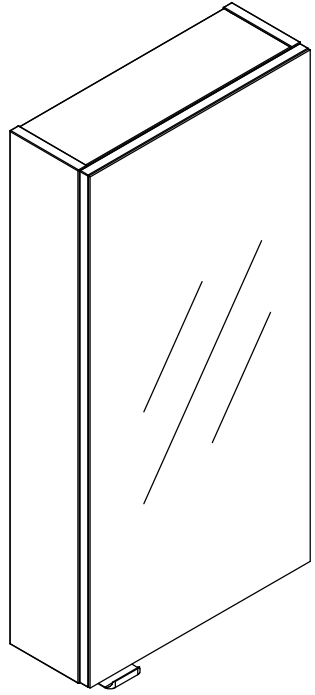
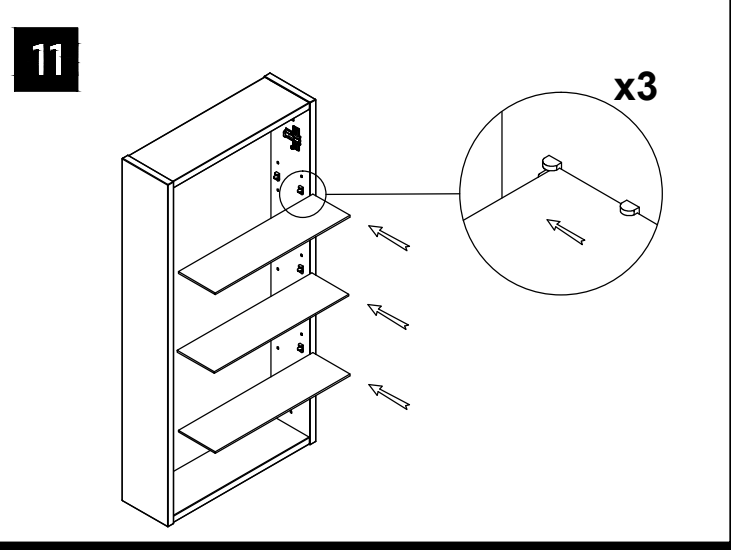
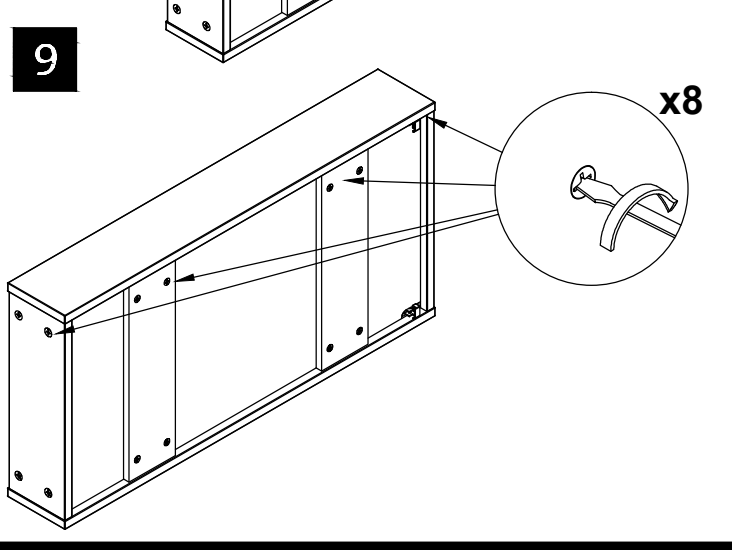
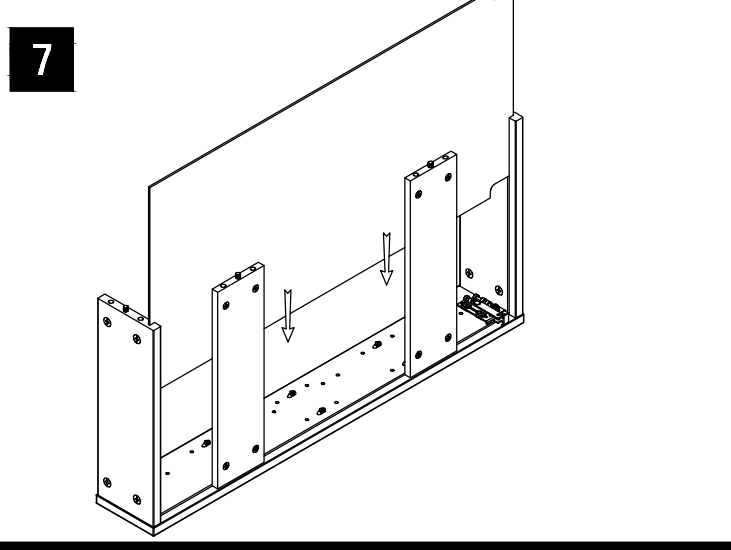
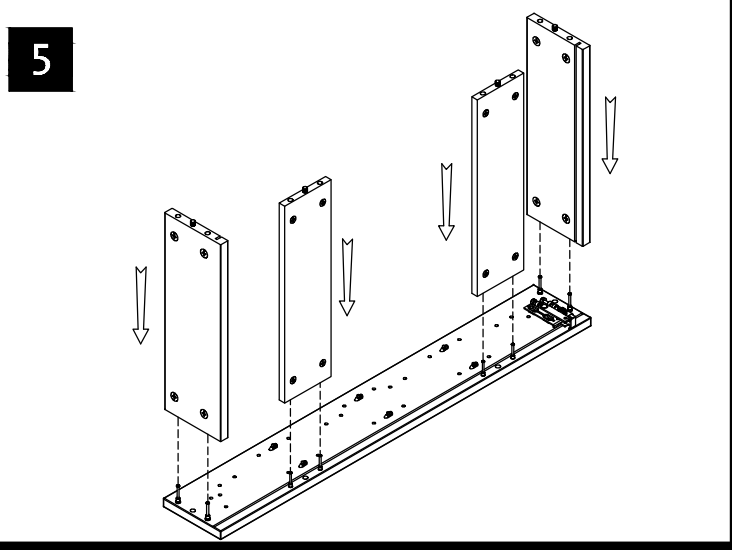
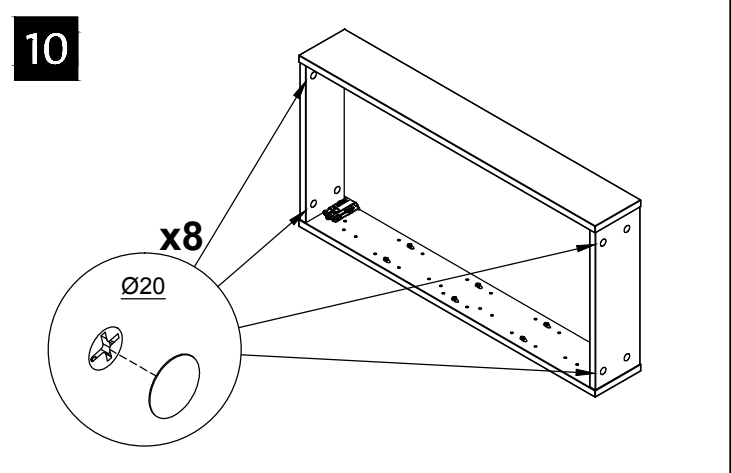
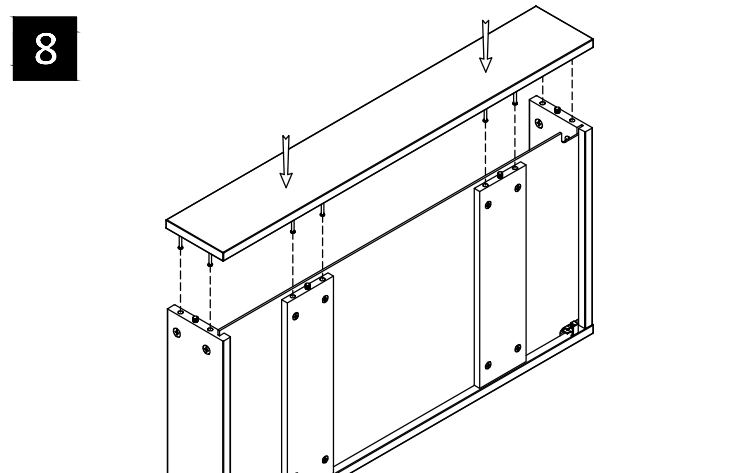
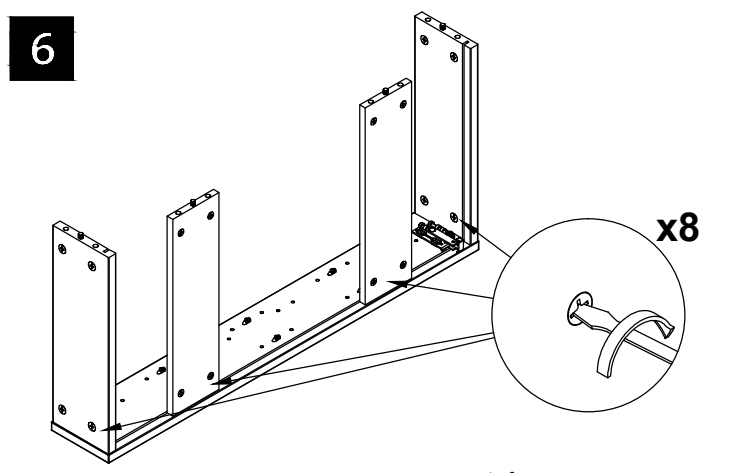
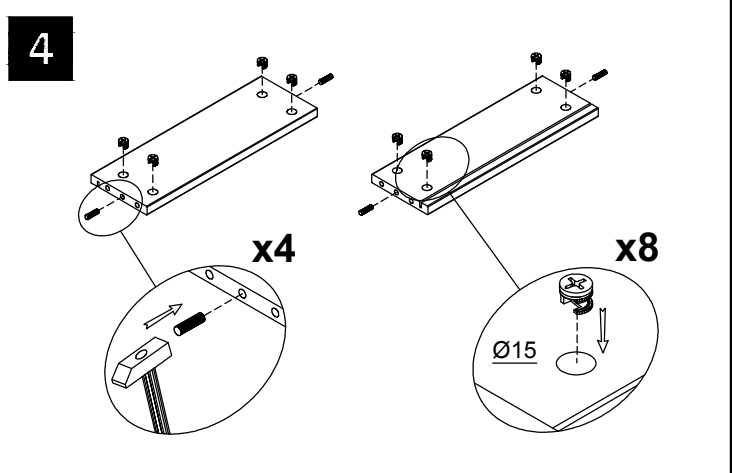
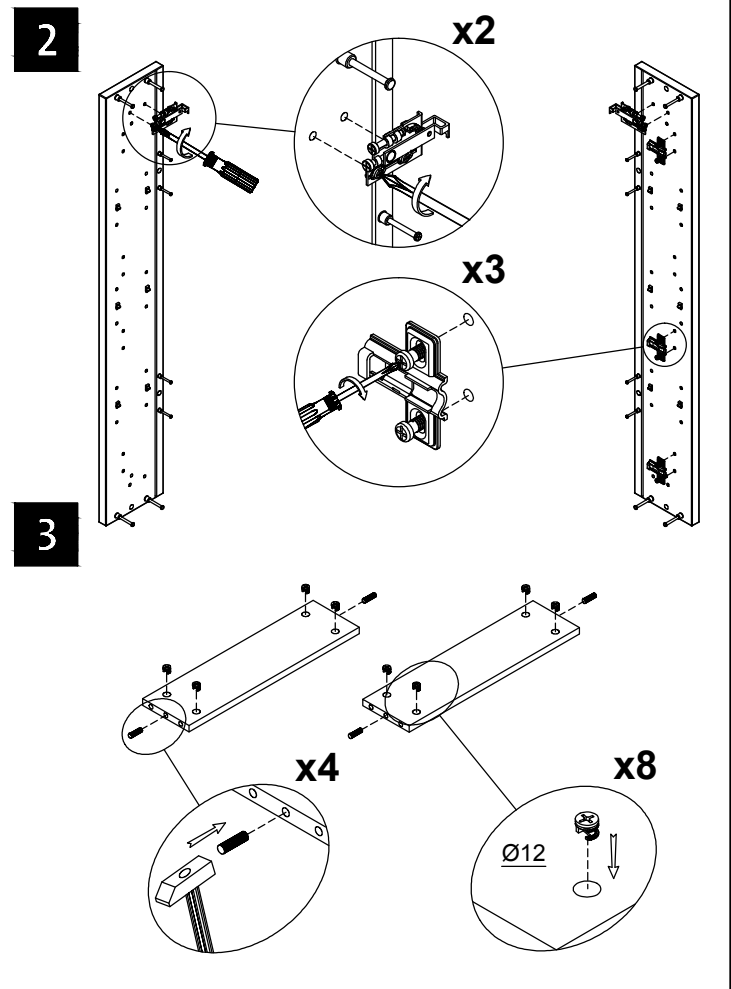
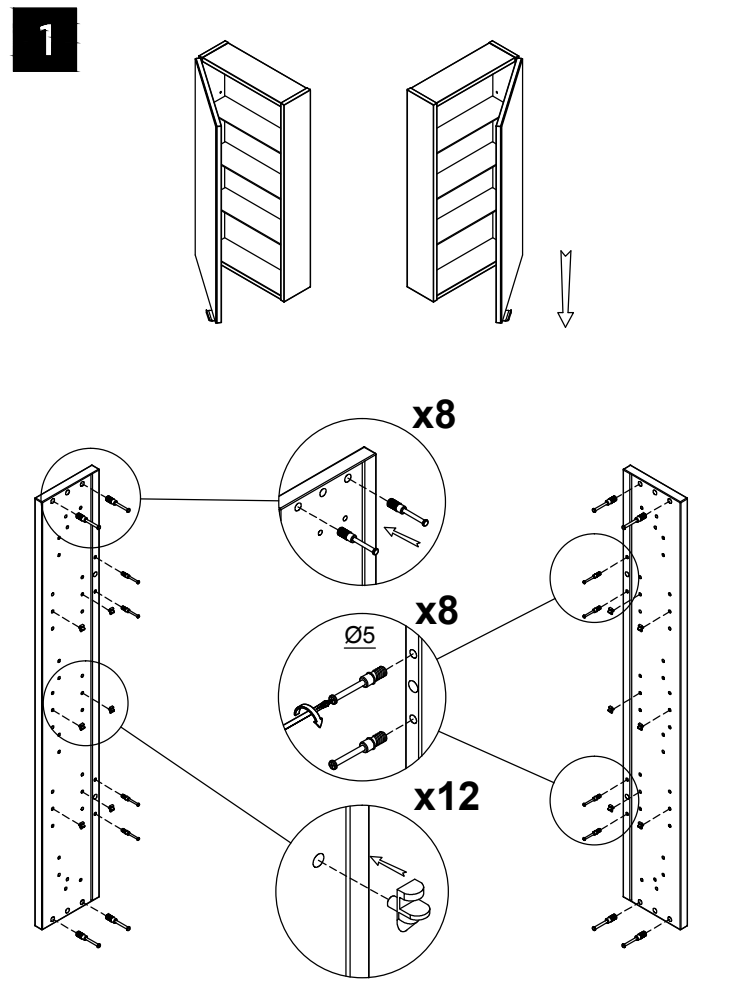
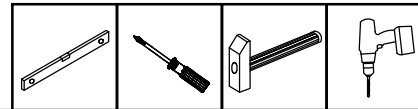
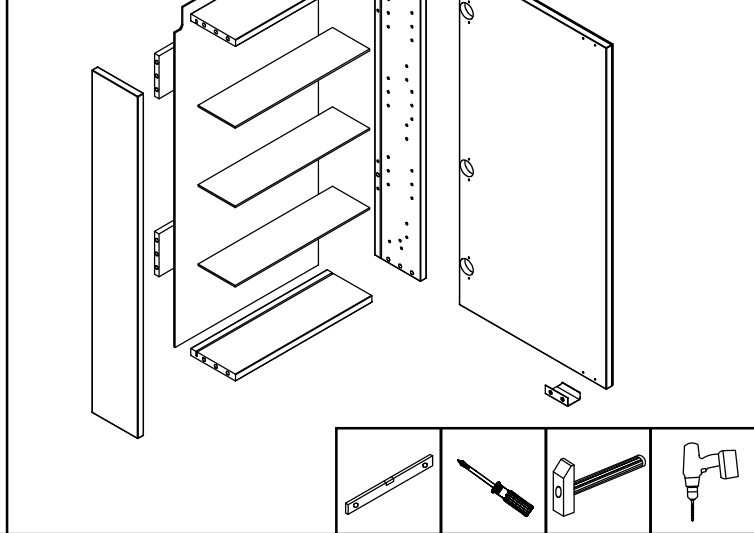


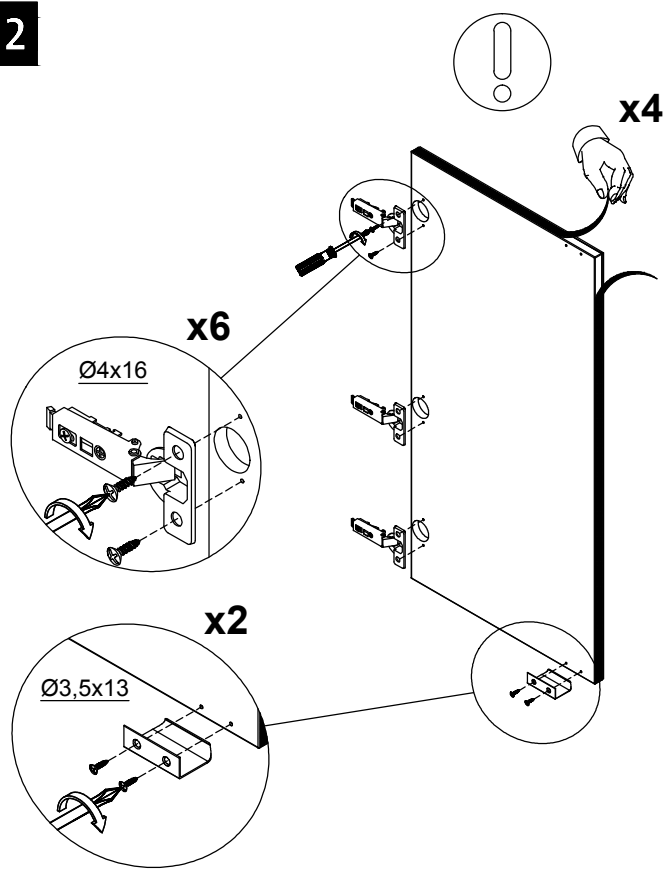
cersanit



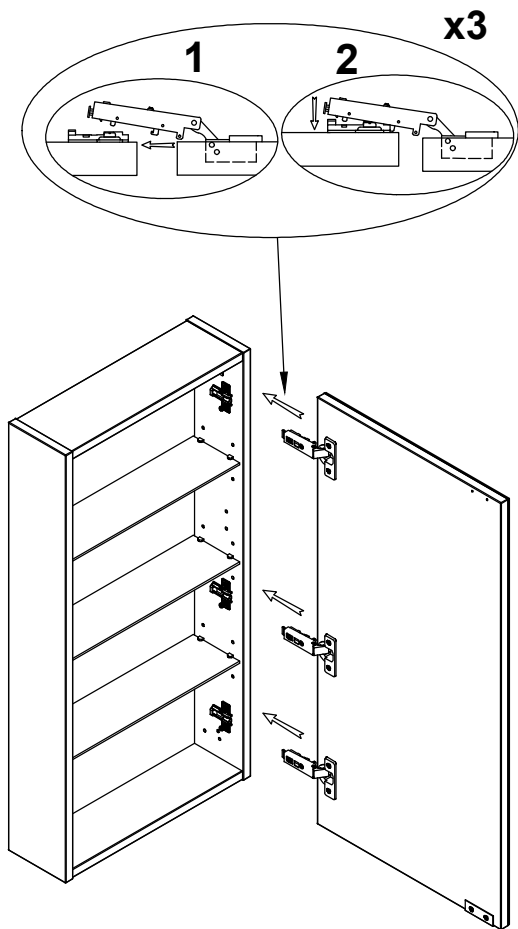
x3	x3	x1	x8	$\varnothing 15$ x8	$\varnothing 5$ x8	$\varnothing 12$ x8
2x	x12	$\varnothing 20$ x8	$\varnothing 4 \times 16$ x6	$\varnothing 3,5 \times 13$ x2	$\varnothing 8 \times 30$ x8	x2
x1 x2				M4x15 x2	M4x27 x2	



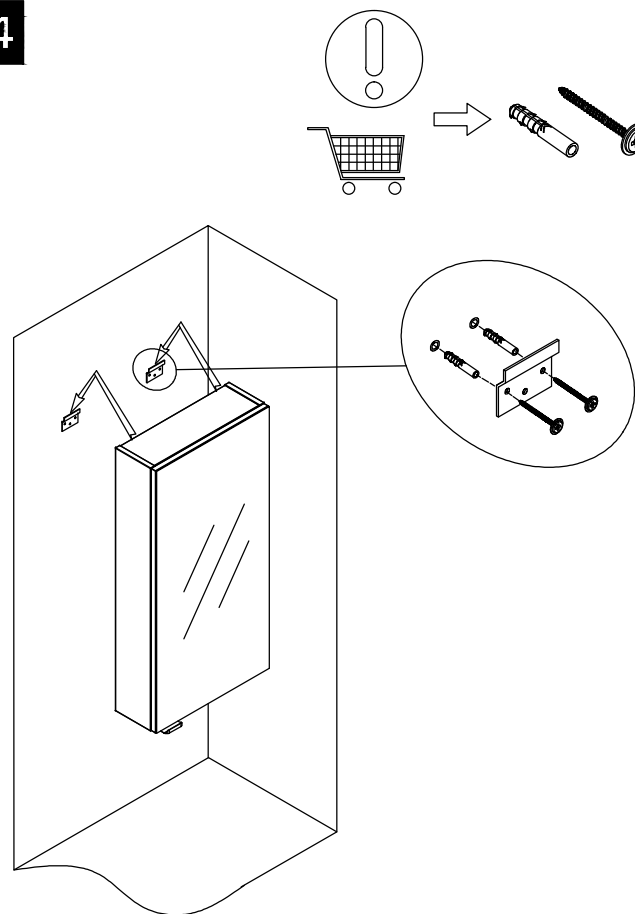
12



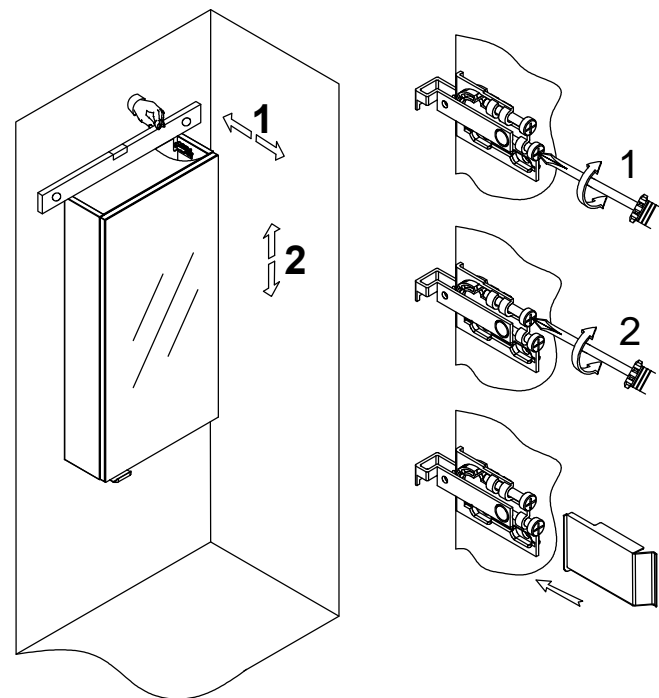
13



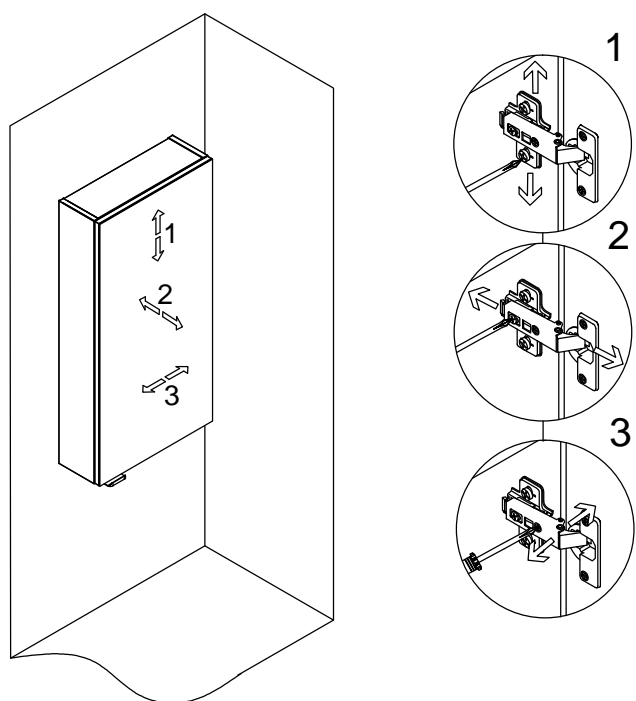
14



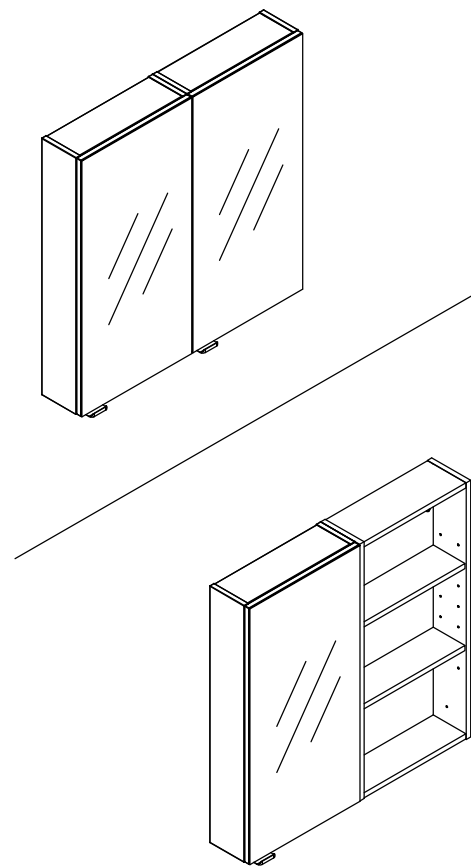
15



16



17



18

