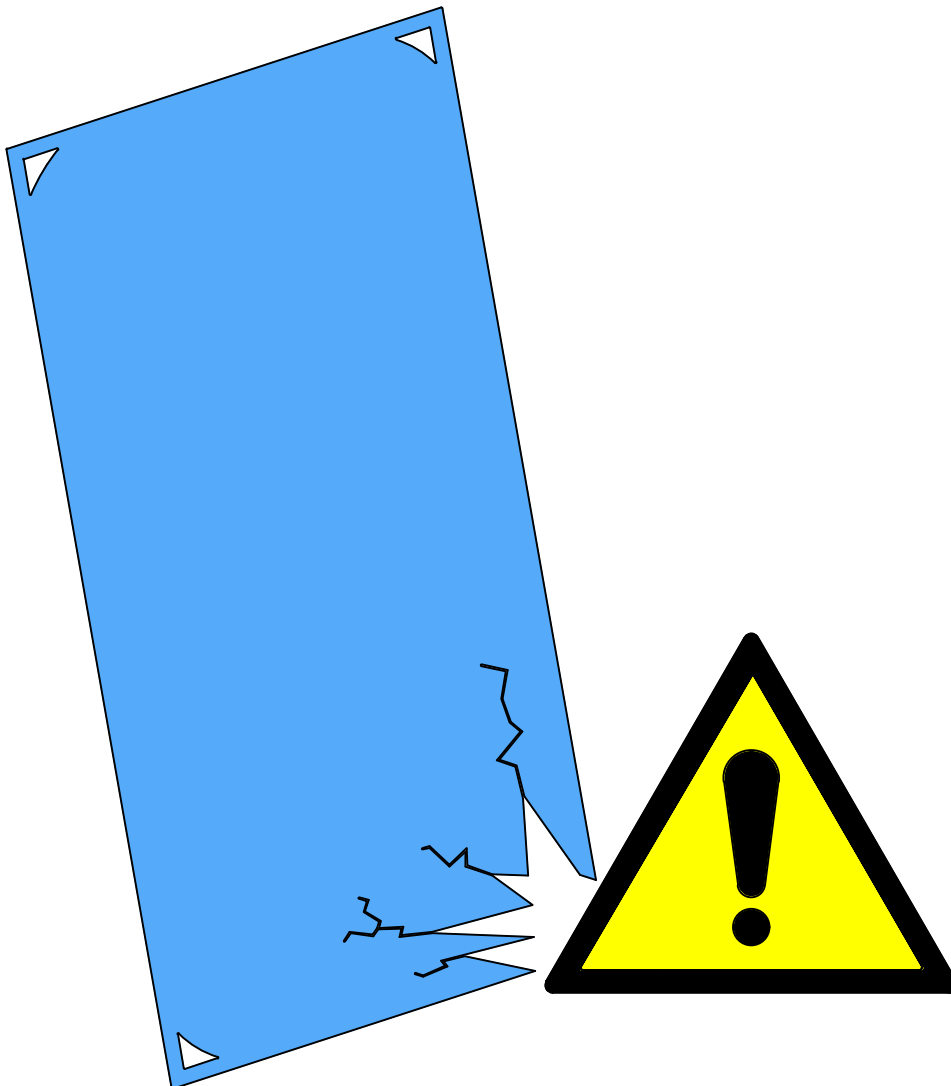
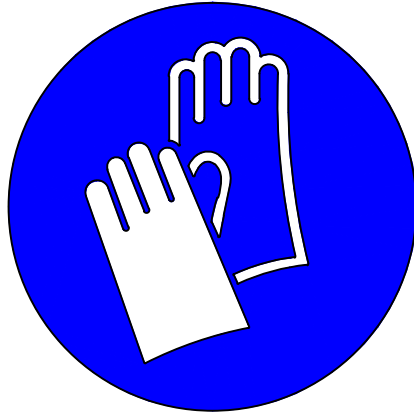
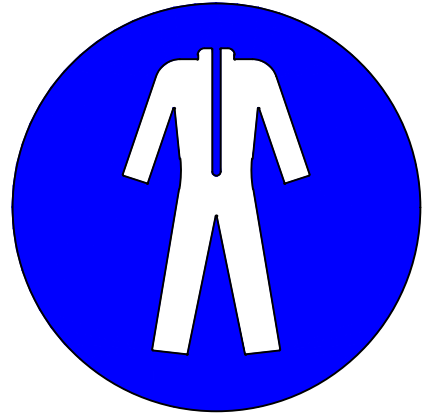
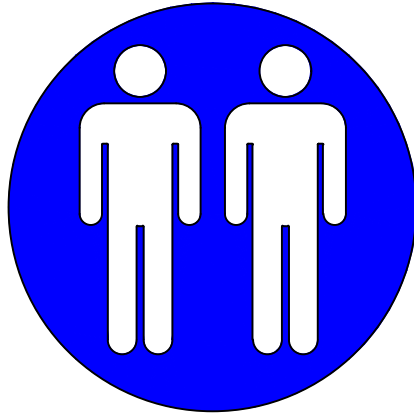
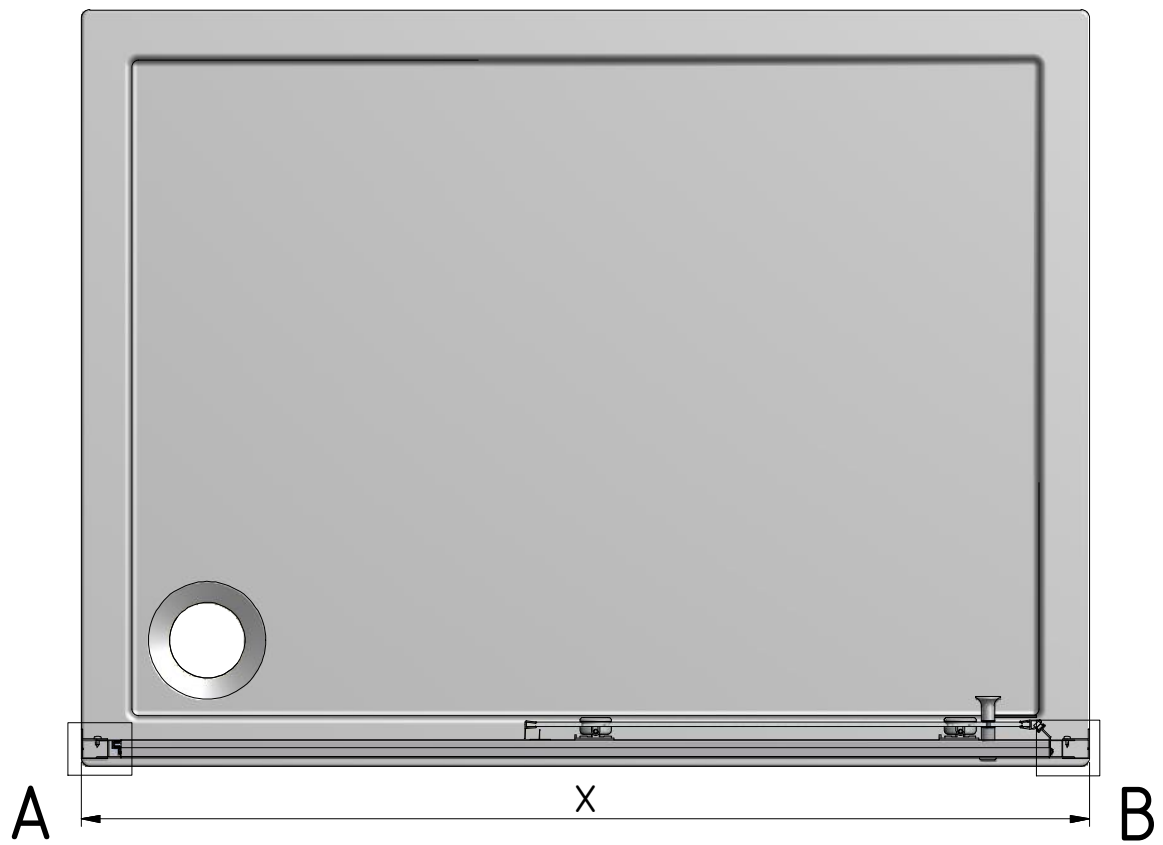


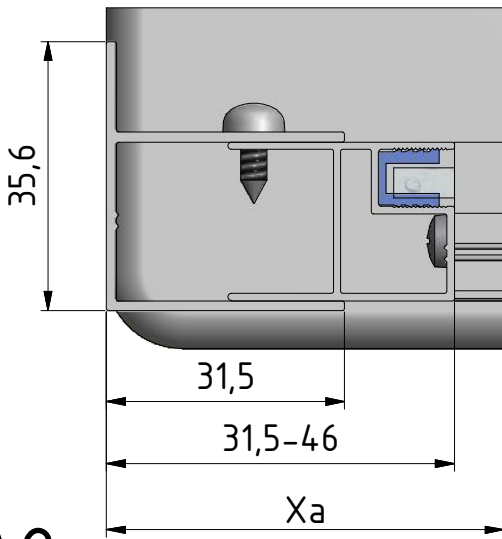
# LLD2



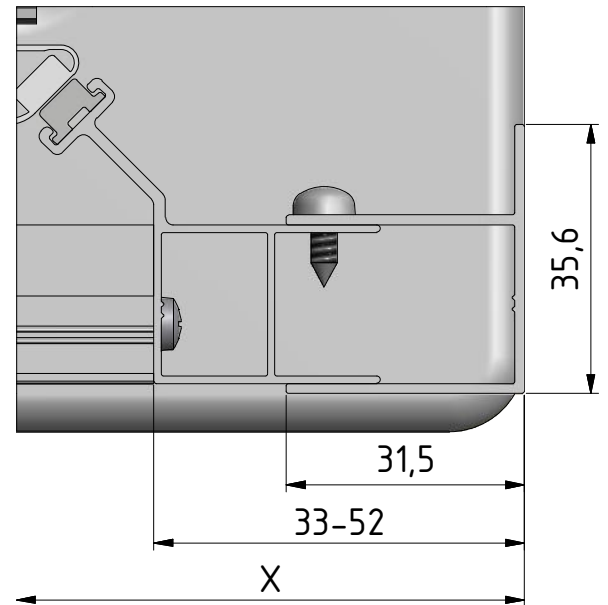




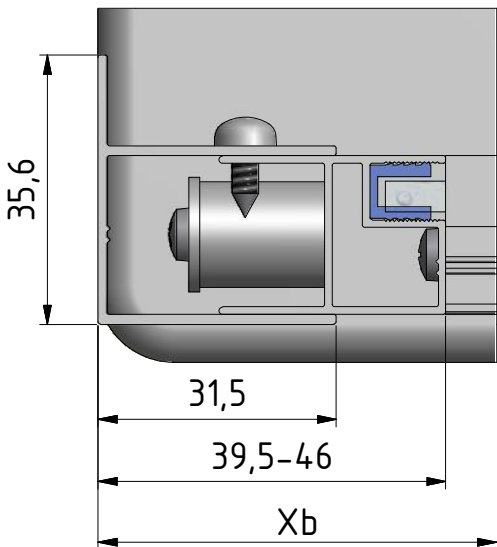
A1



B



A2



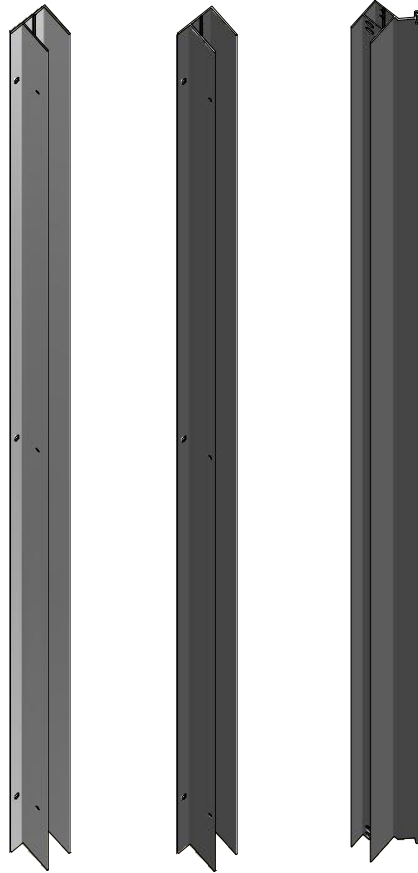
|      | Xa        | Xb        |
|------|-----------|-----------|
| 1000 | 970-1005  | 978-1005  |
| 1200 | 1170-1205 | 1178-1205 |
| 1400 | 1370-1405 | 1378-1405 |
| 1500 | 1470-1505 | 1478-1505 |
| 1600 | 1570-1605 | 1578-1605 |
| 1700 | 1670-1705 | 1678-1705 |
| 1800 | 1770-1805 | 1778-1805 |

3. 1x (P3081) 7. 1x (P3101) 9. 1x

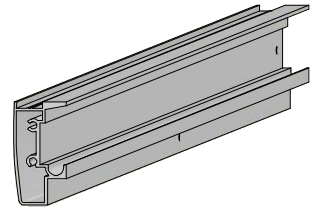
1. 1x  
V132



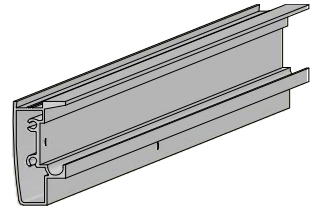
2. 1x  
V134



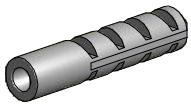
8A. 1x (P168)



8B. 1x (P169)



4. 6x (M0511)



5. 3x (M0795)



6. 12x (MA0511)

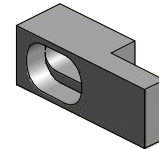


10. 8x (M0790)

Ø3,5x19



11. 2x (MA0064)

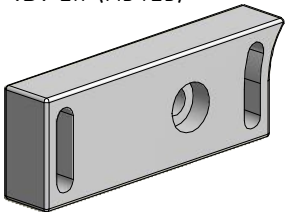


12. 10x (M0806)

Ø3,5x9,5

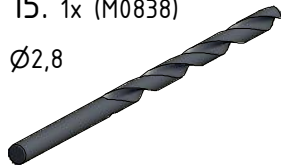


13. 2x (M5425)



15. 1x (M0838)

Ø2,8



16. 4x (MA3119)



22. 1x (MA2331)

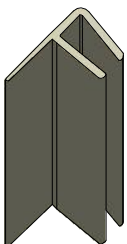


25. 3x (M0790)

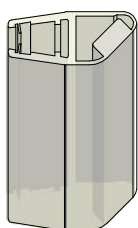
Ø3,5x19



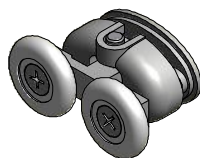
17. 1x+1x  
(P3200;P3201)



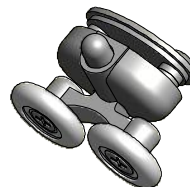
18. 1x (MA2020)

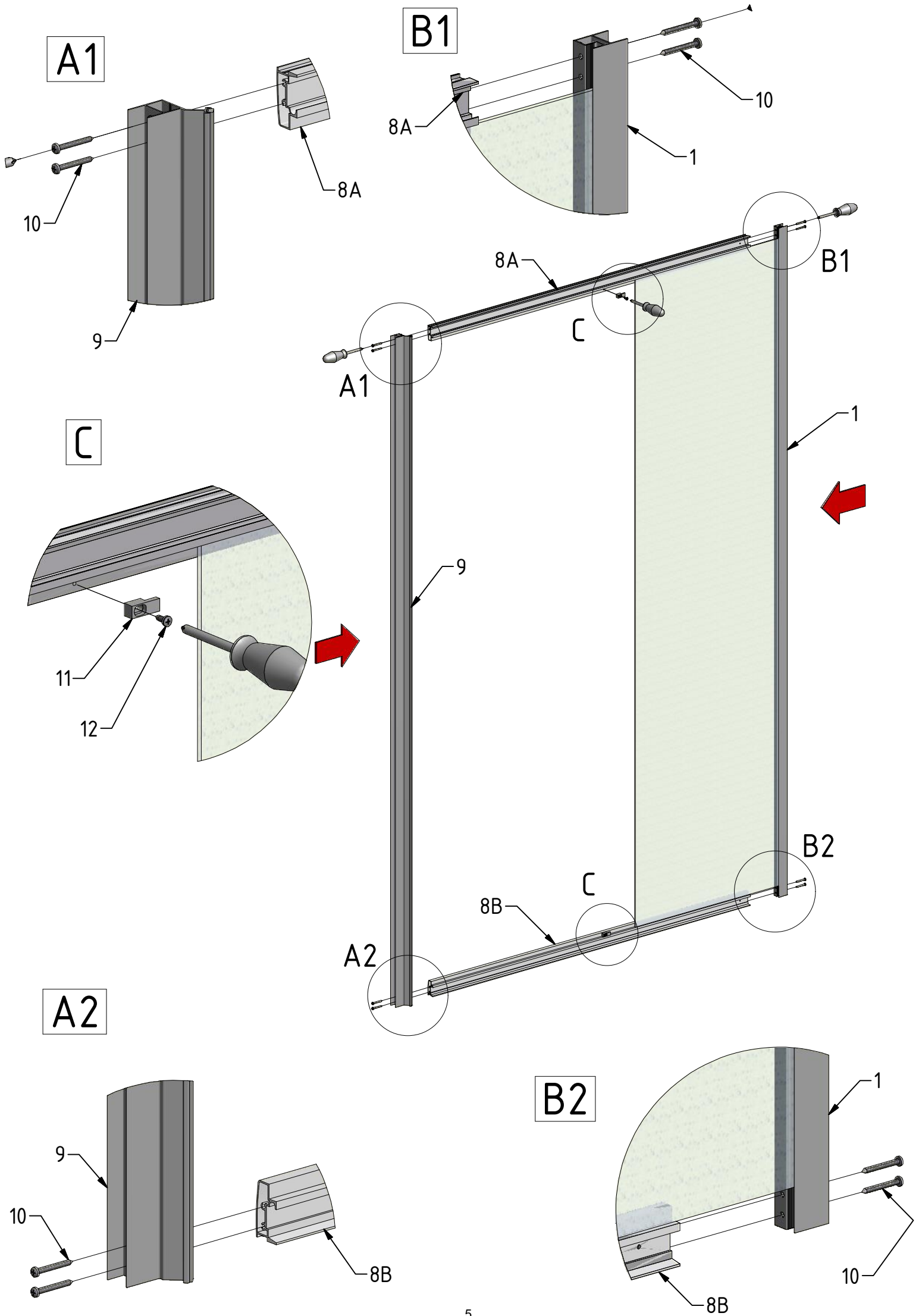


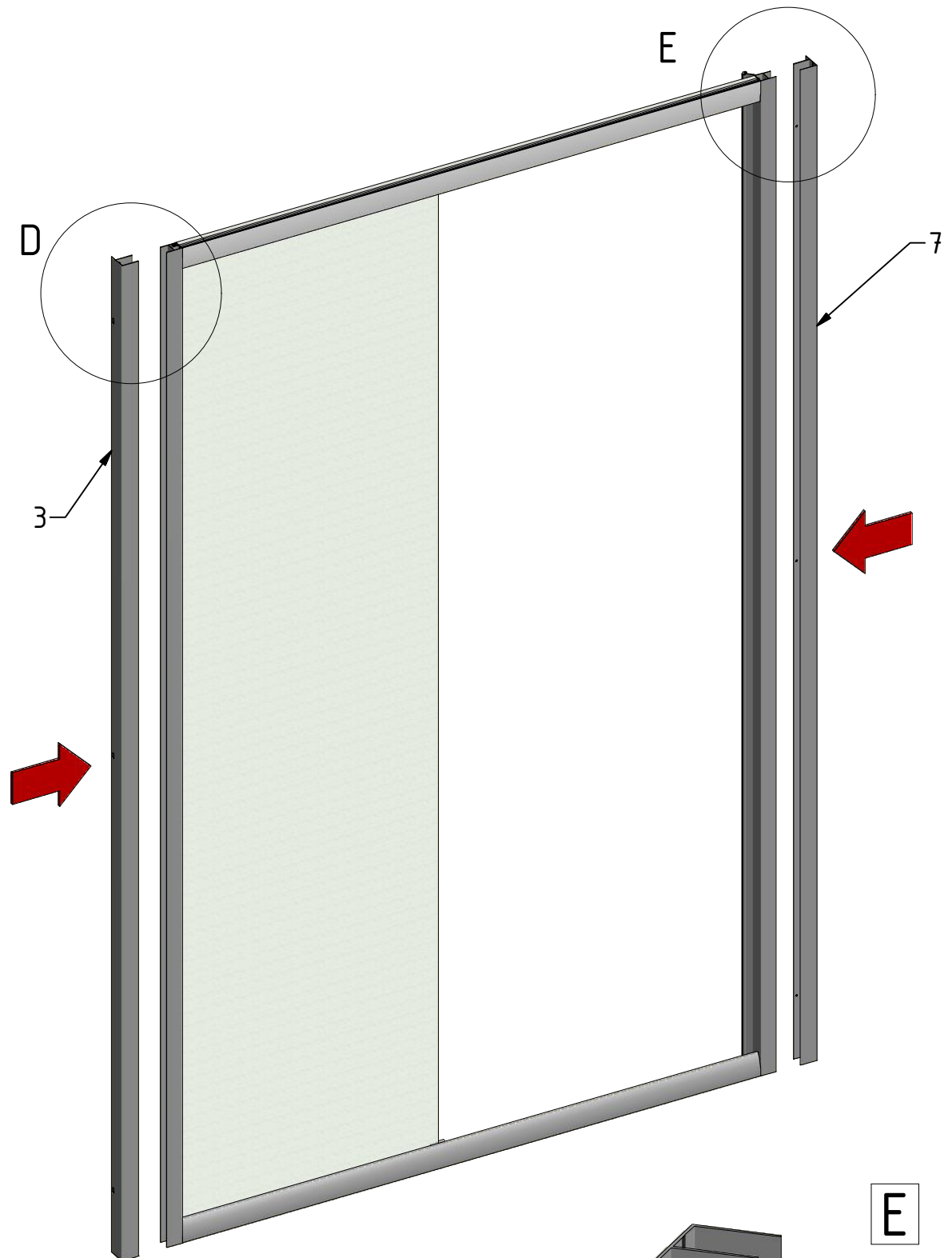
20. 2x (M9886)



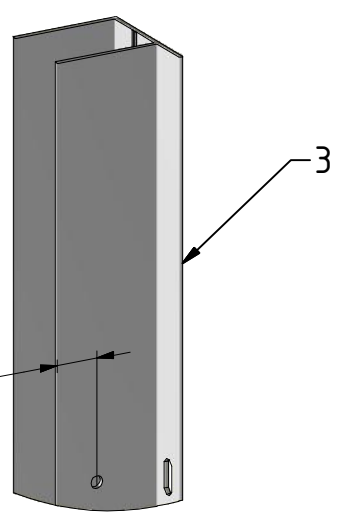
21. 2x (MA1870)



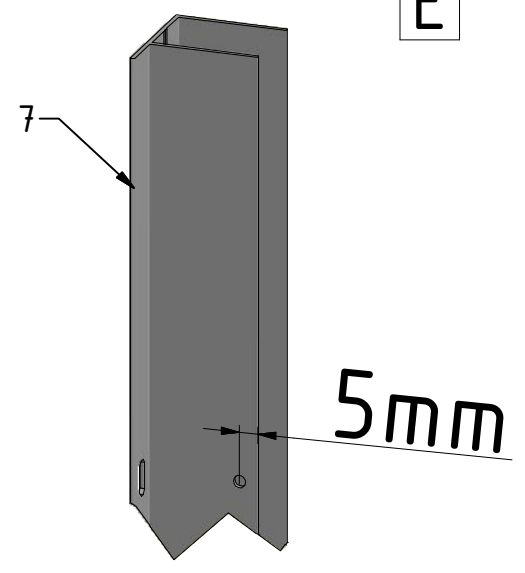




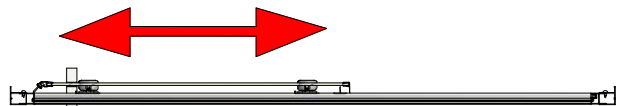
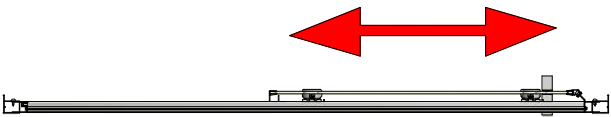
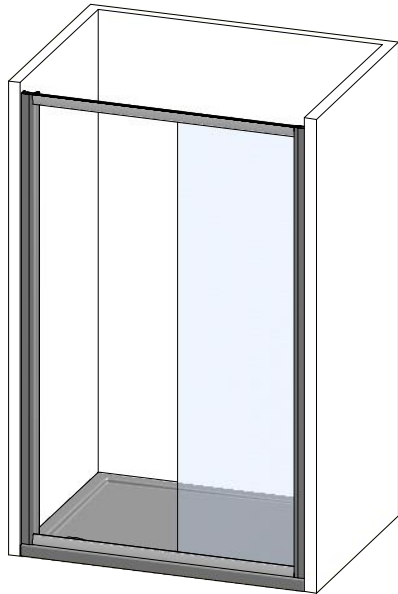
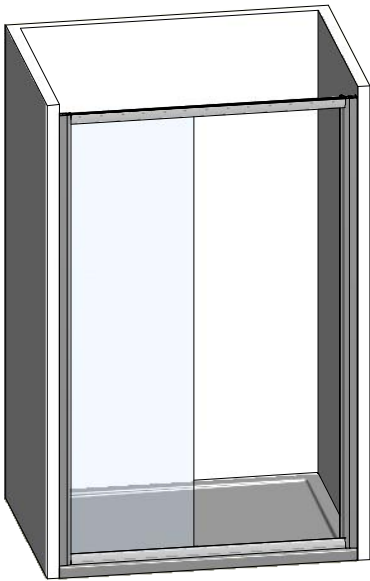
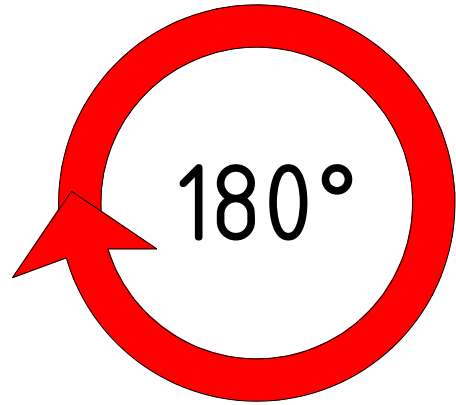
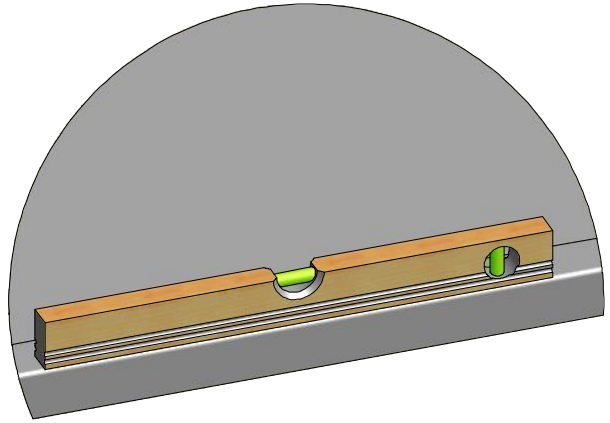
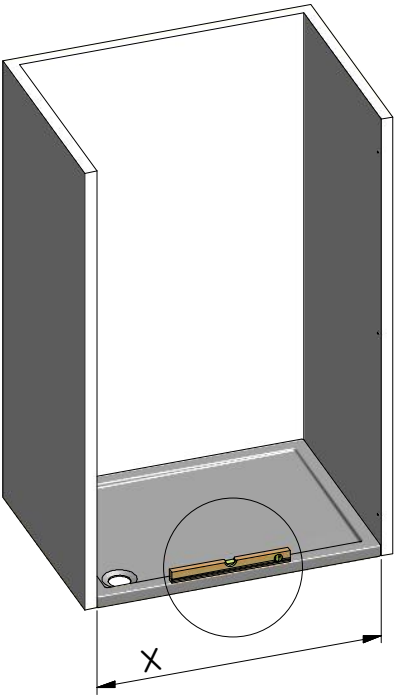
D

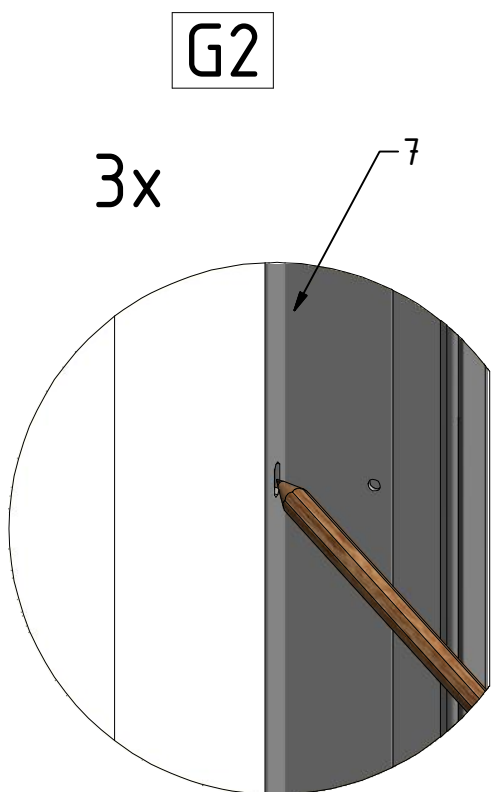
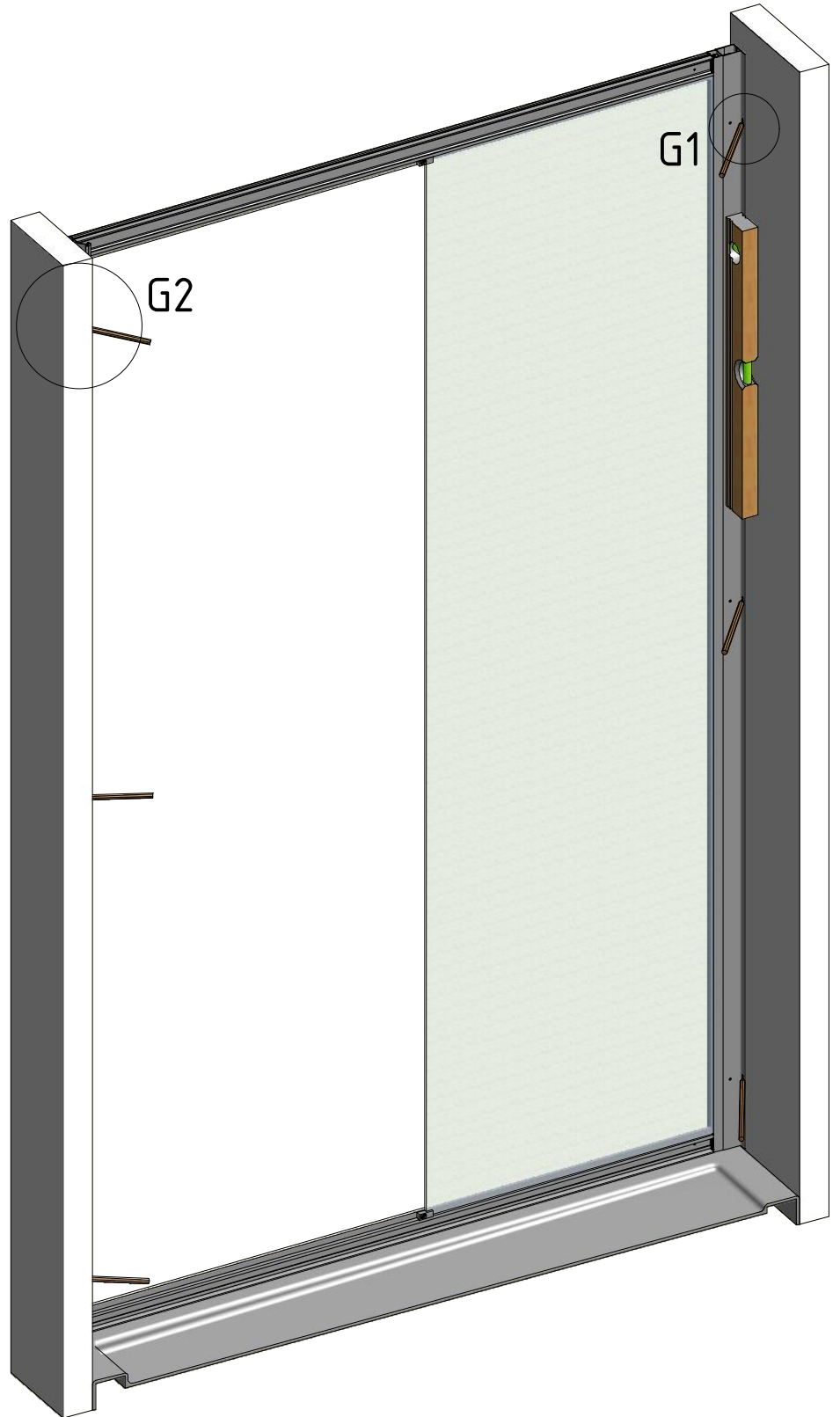
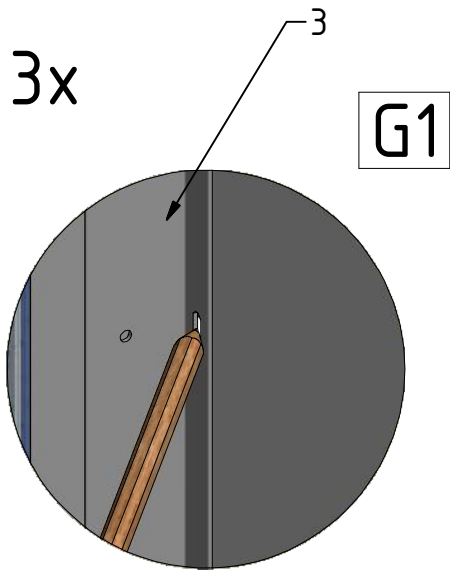


E

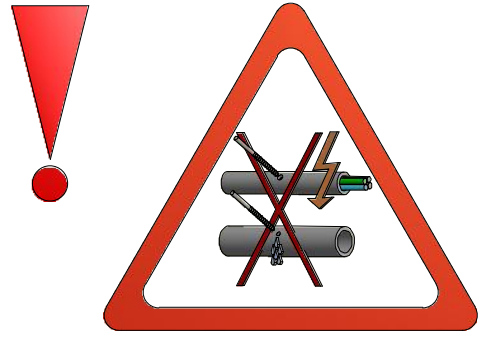
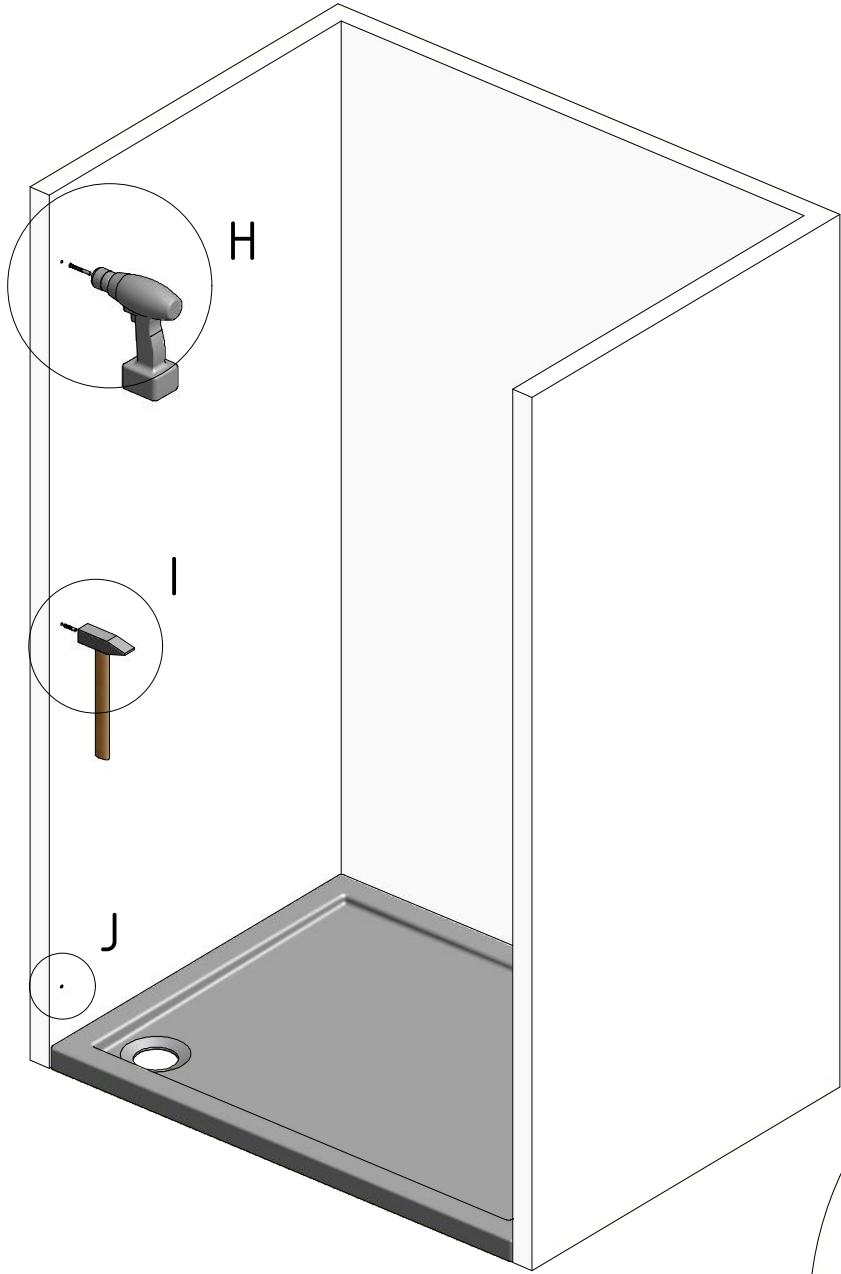


F

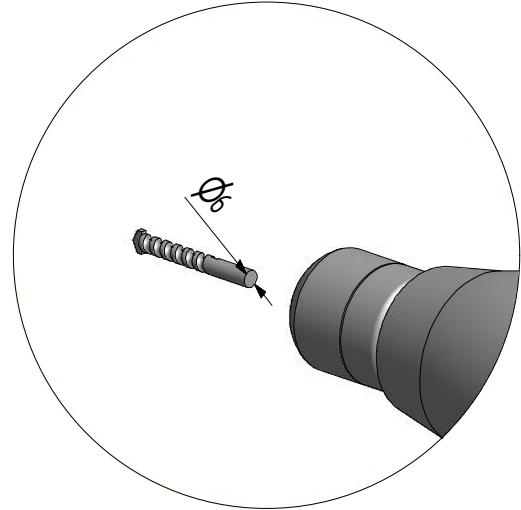




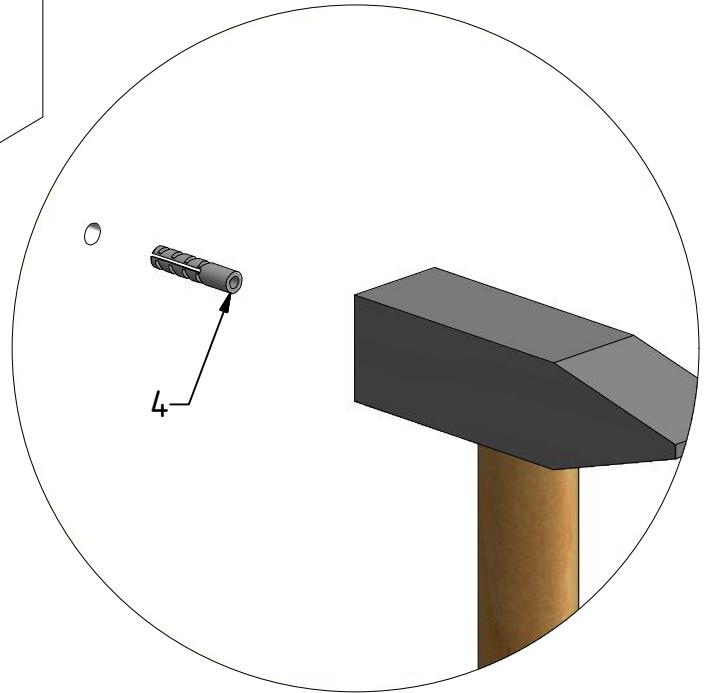




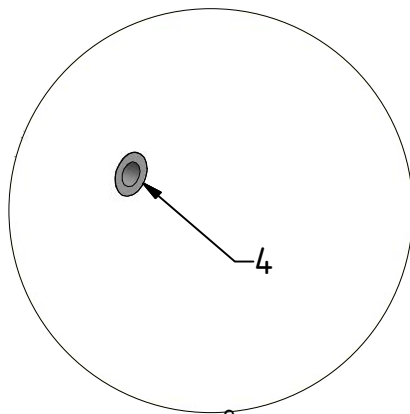
**H** 6x

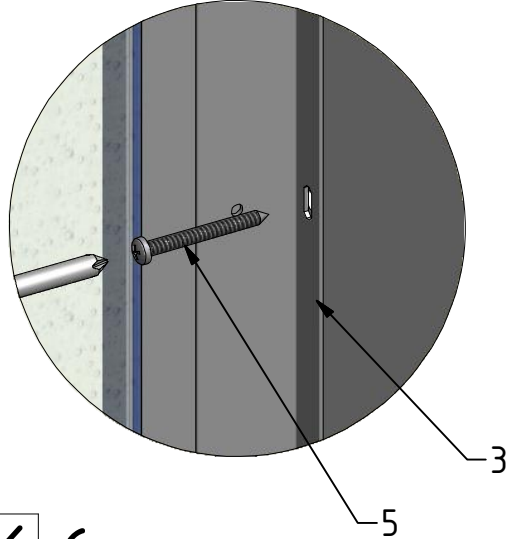
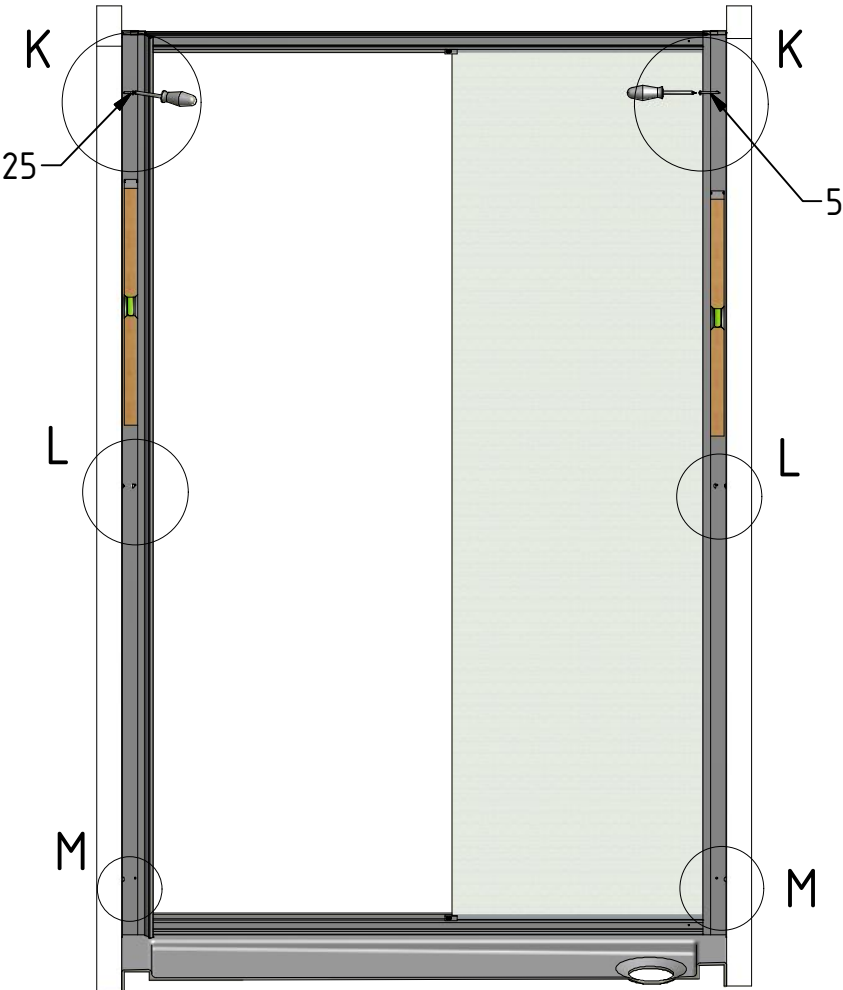


**I** 6x

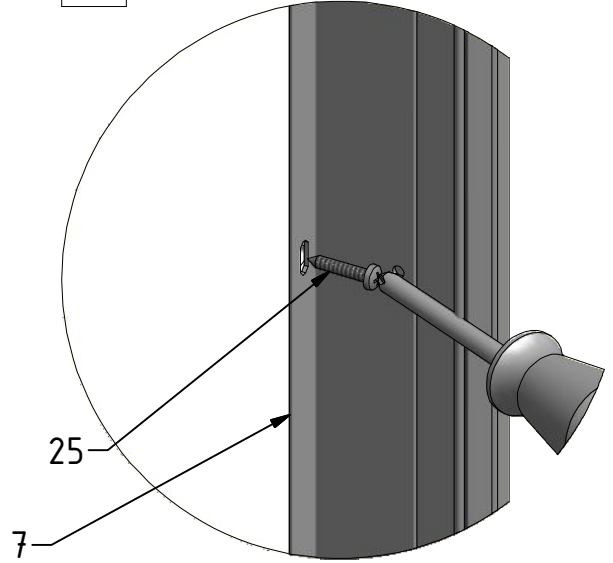


**J** 6x

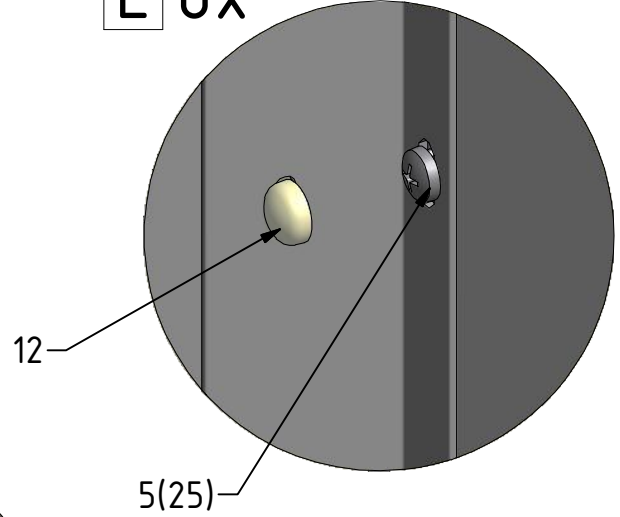




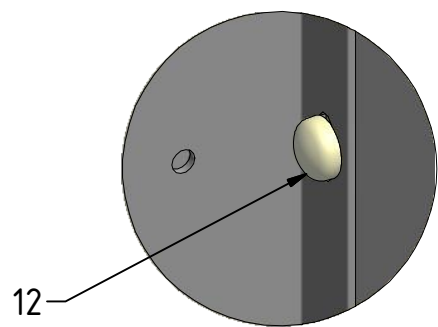
**K 6x**



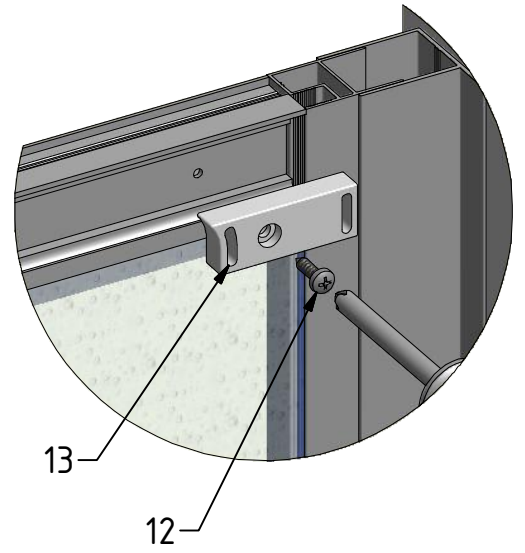
**L 6x**



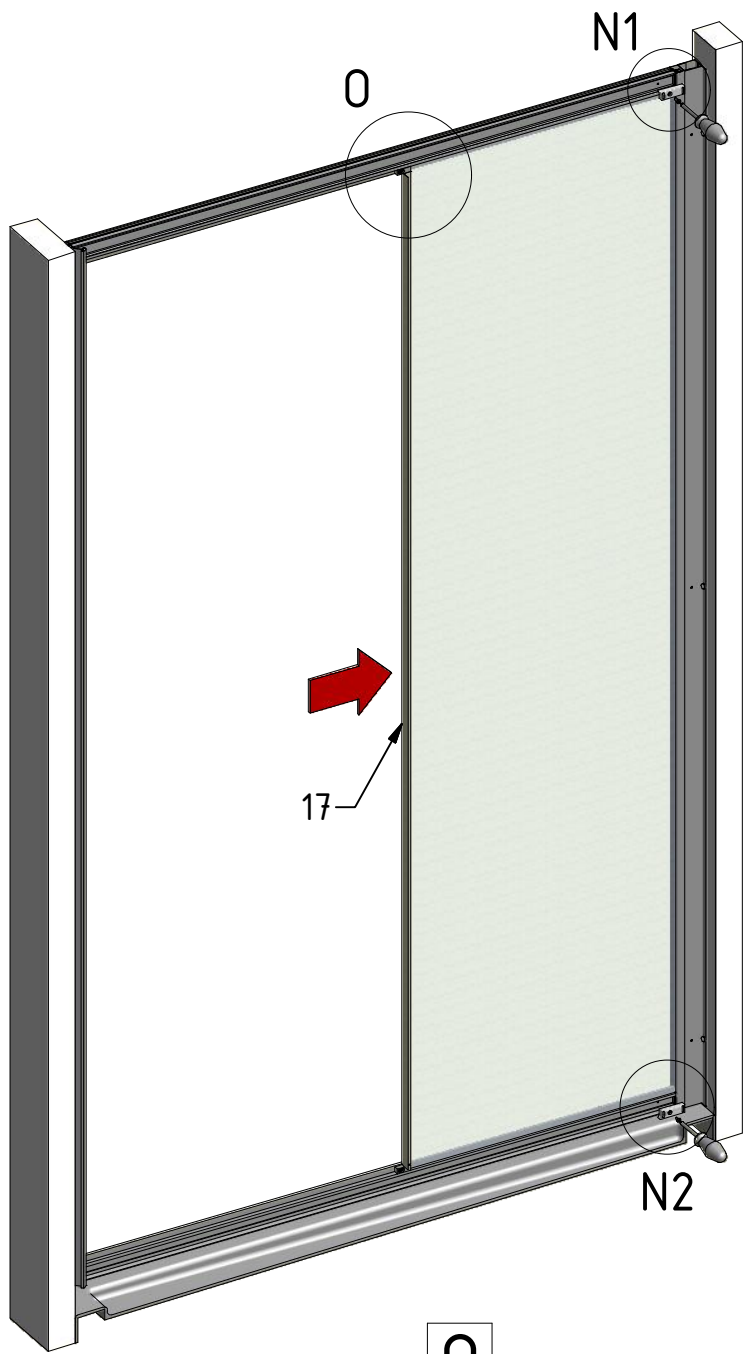
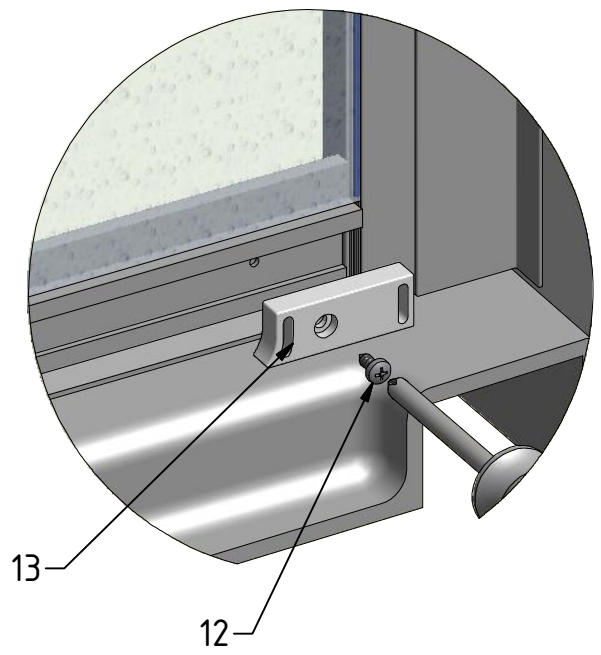
**M 6x**



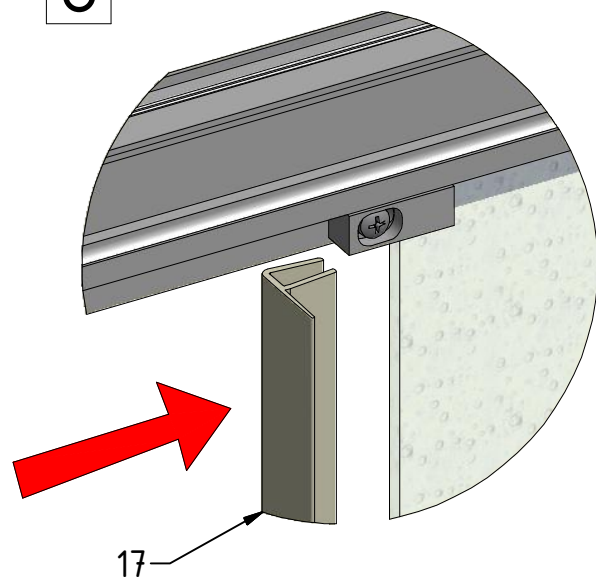
N1



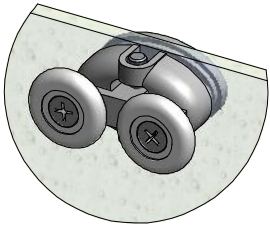
N2



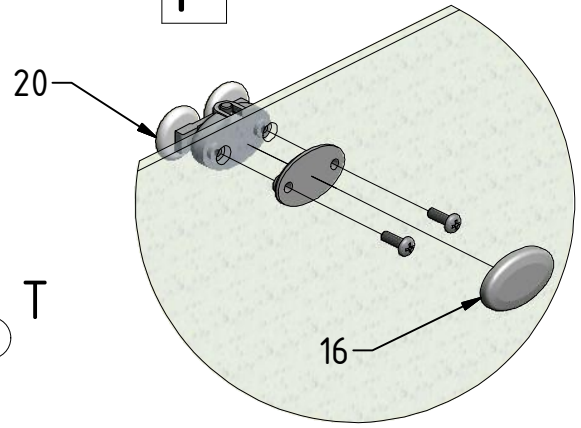
0



P



P

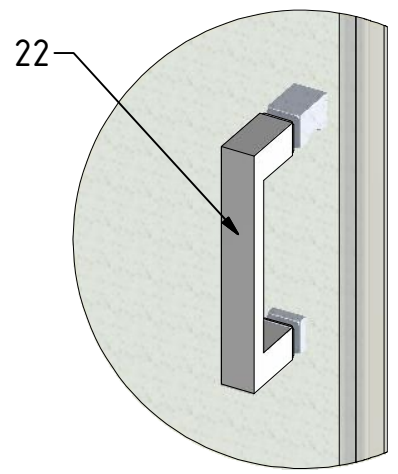


S P

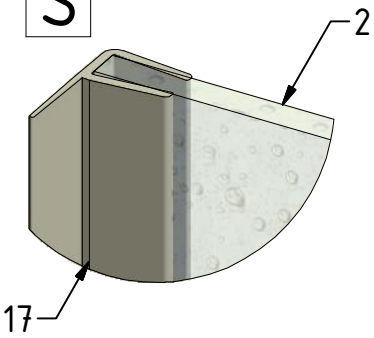
P T



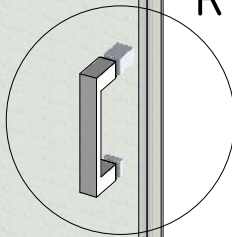
R



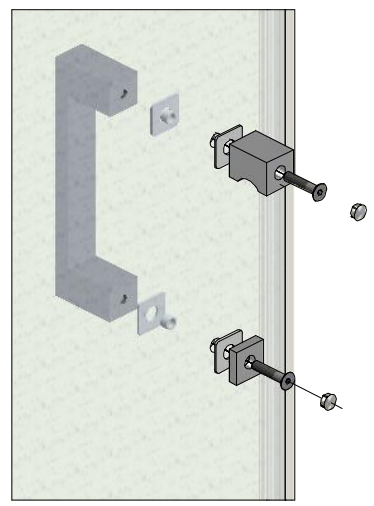
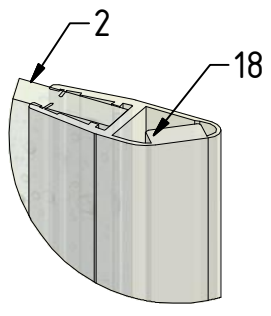
S



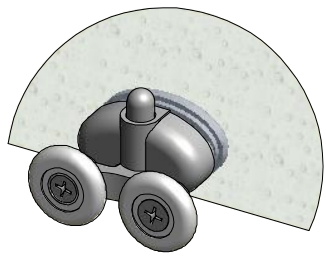
R



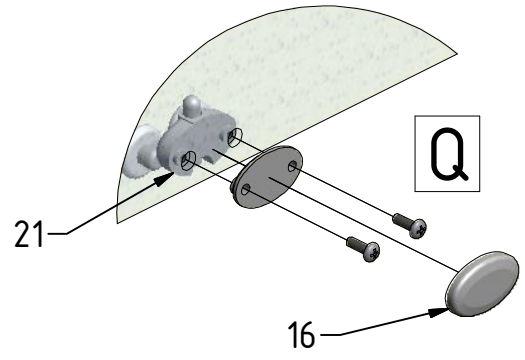
T



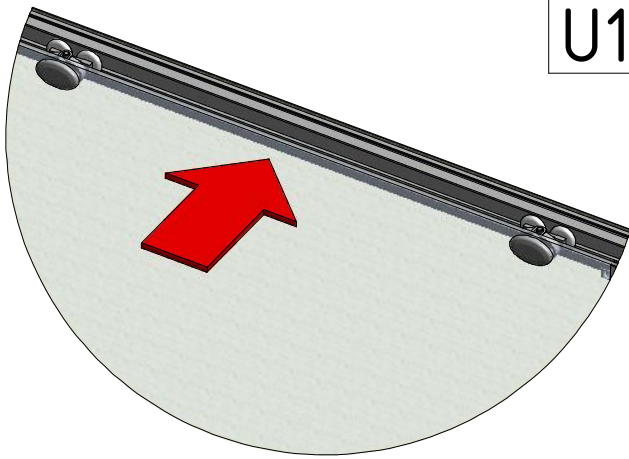
Q



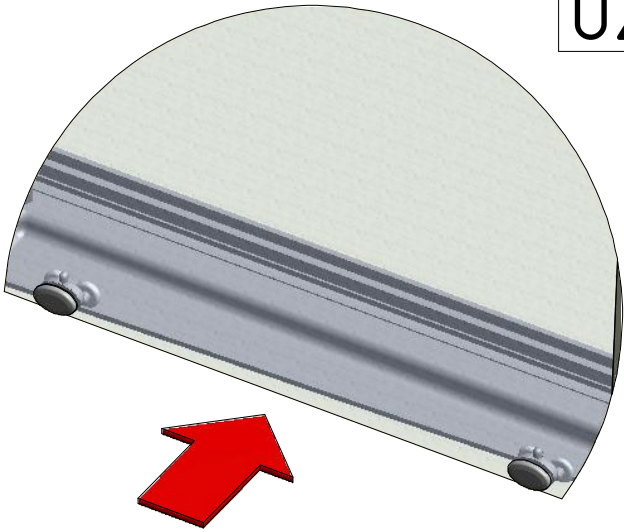
Q



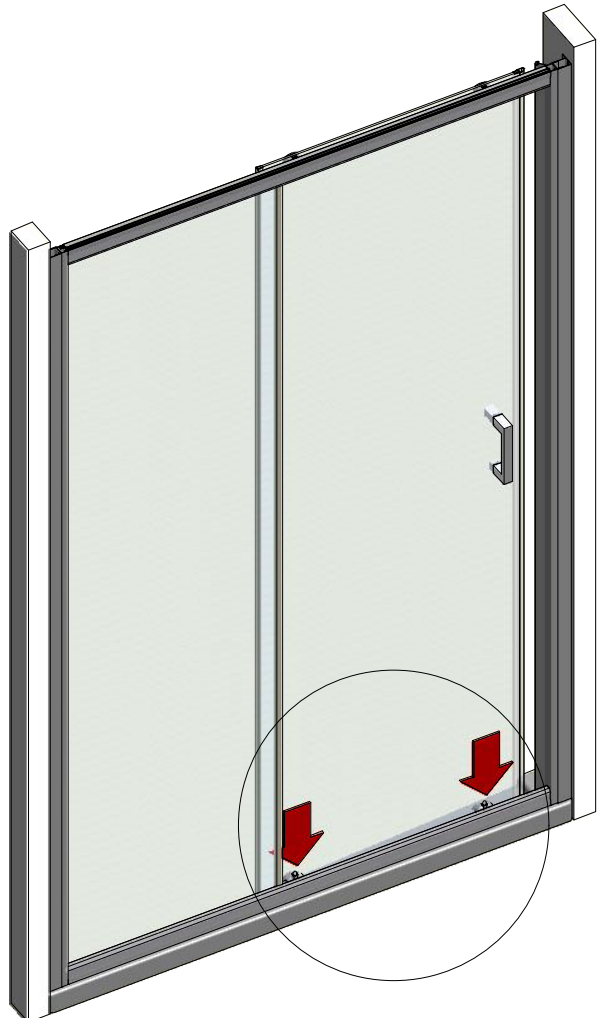
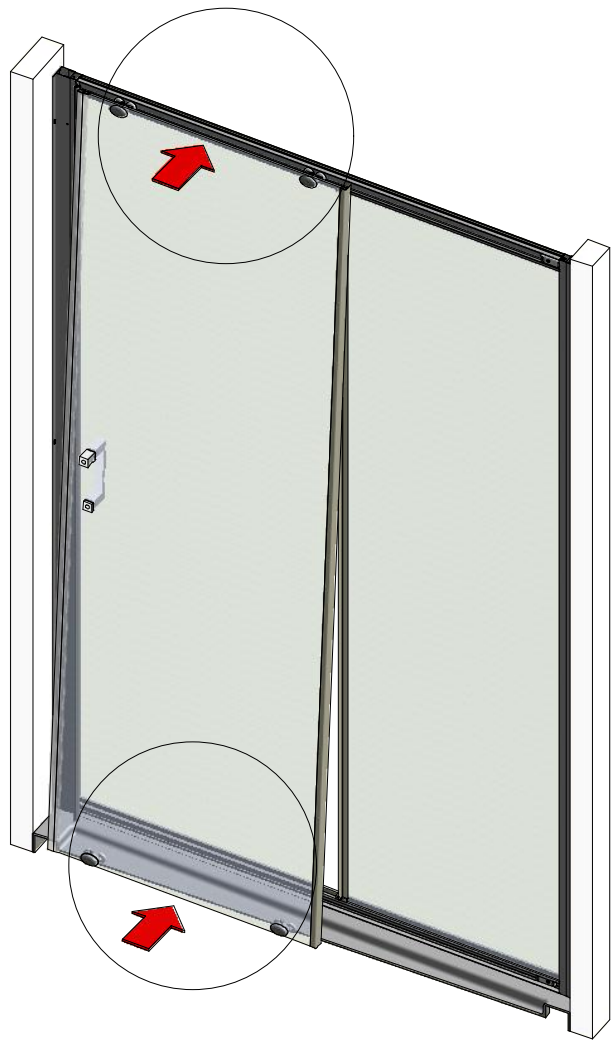
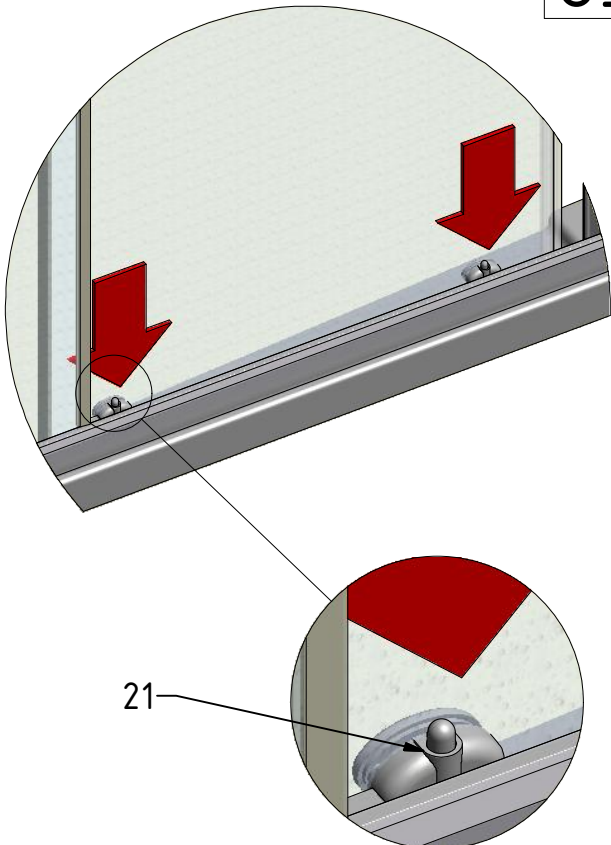
U1



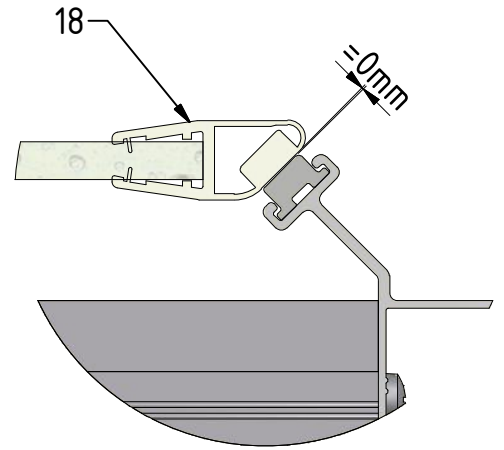
U2



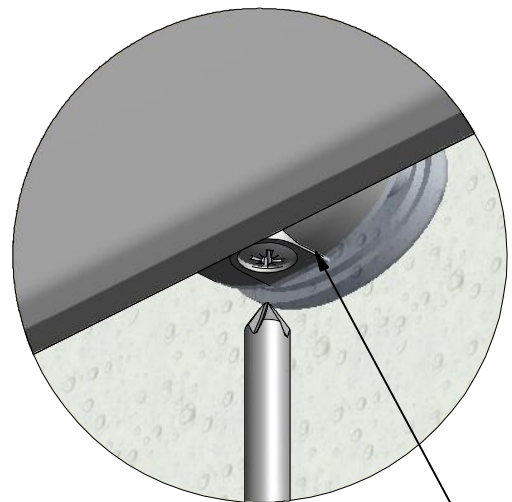
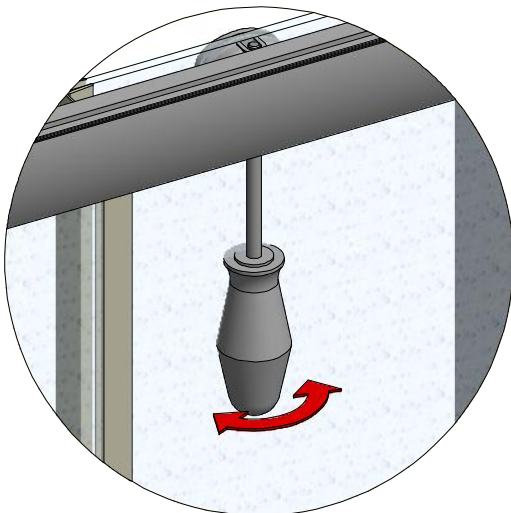
U3



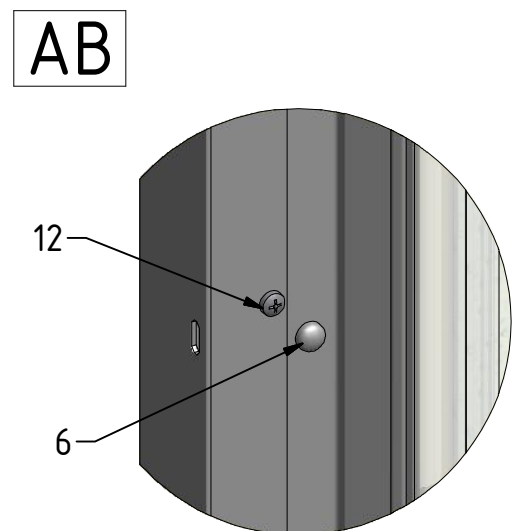
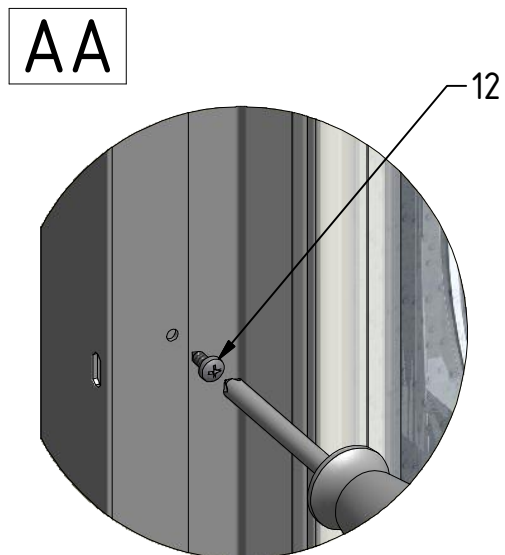
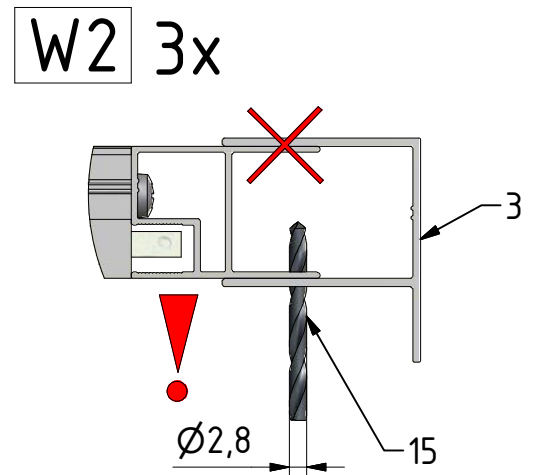
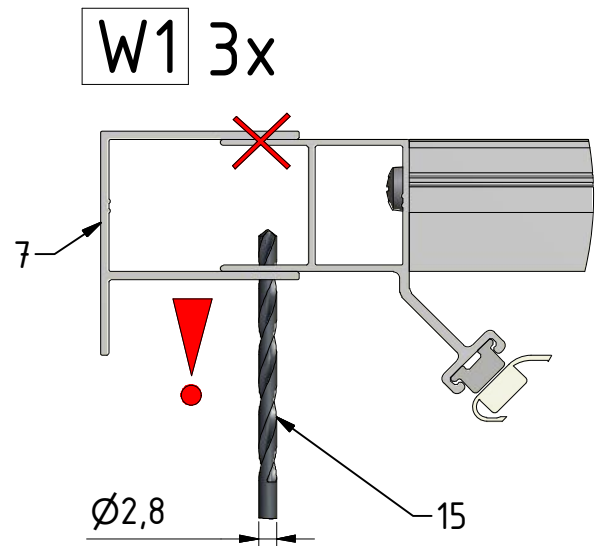
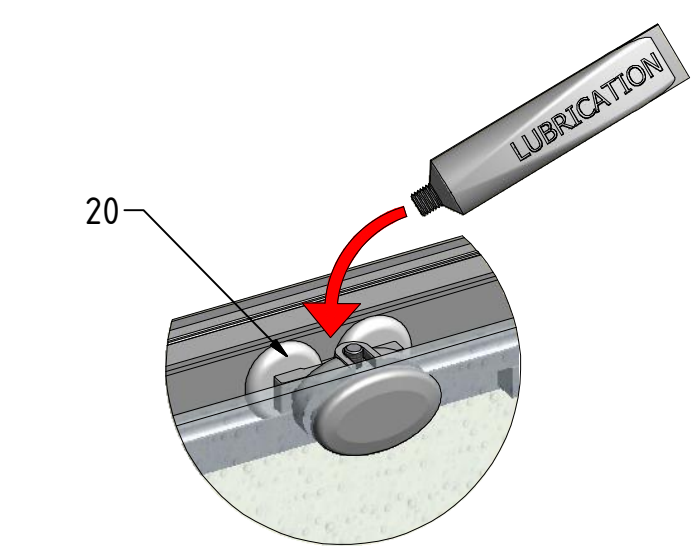
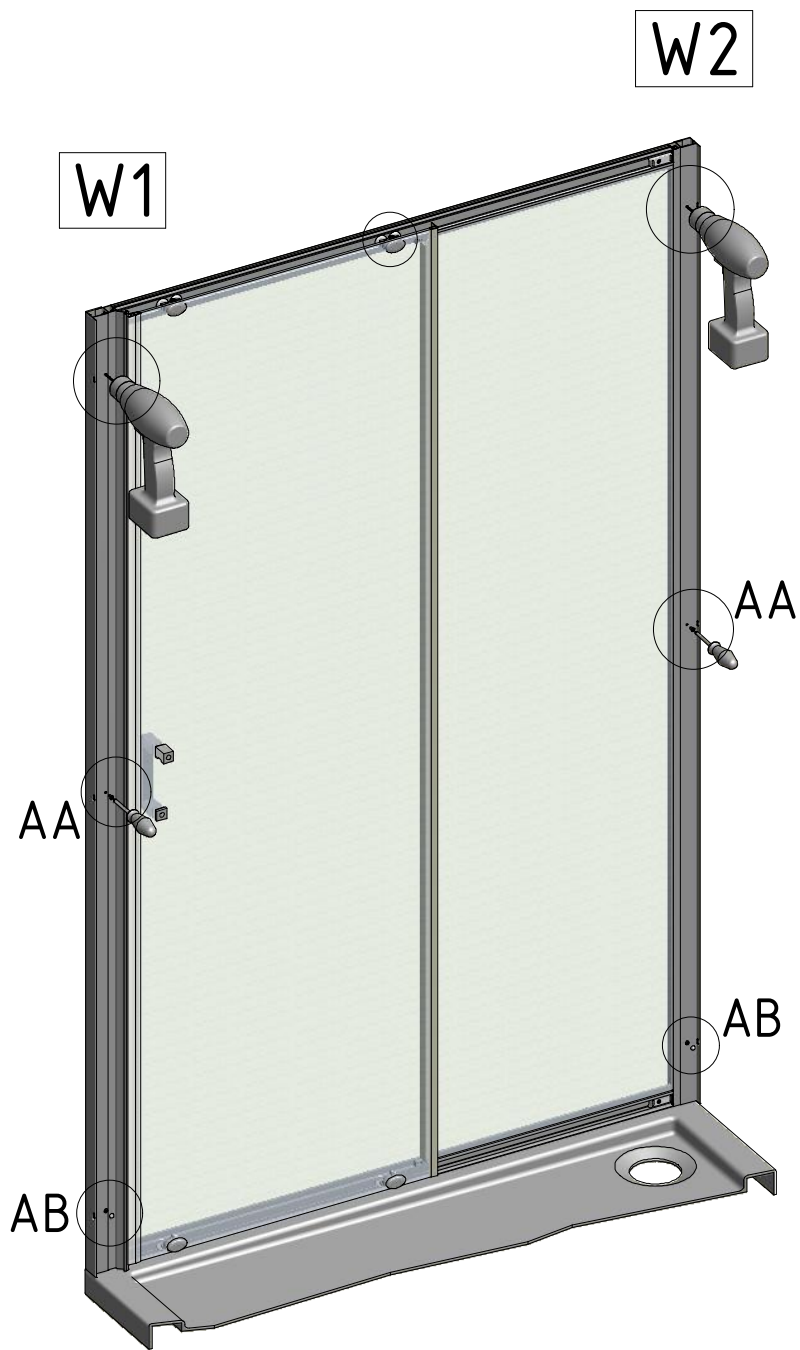


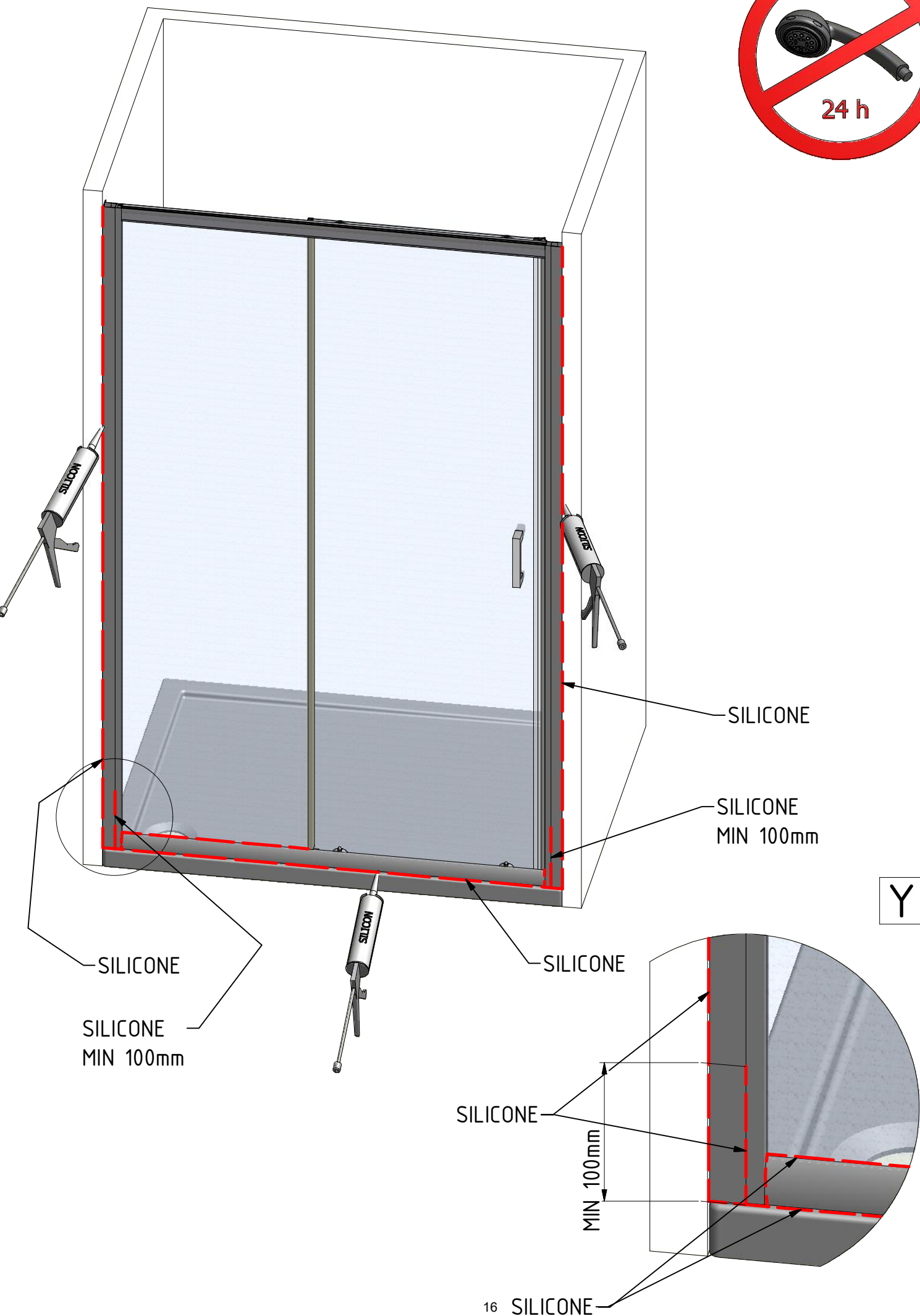


V

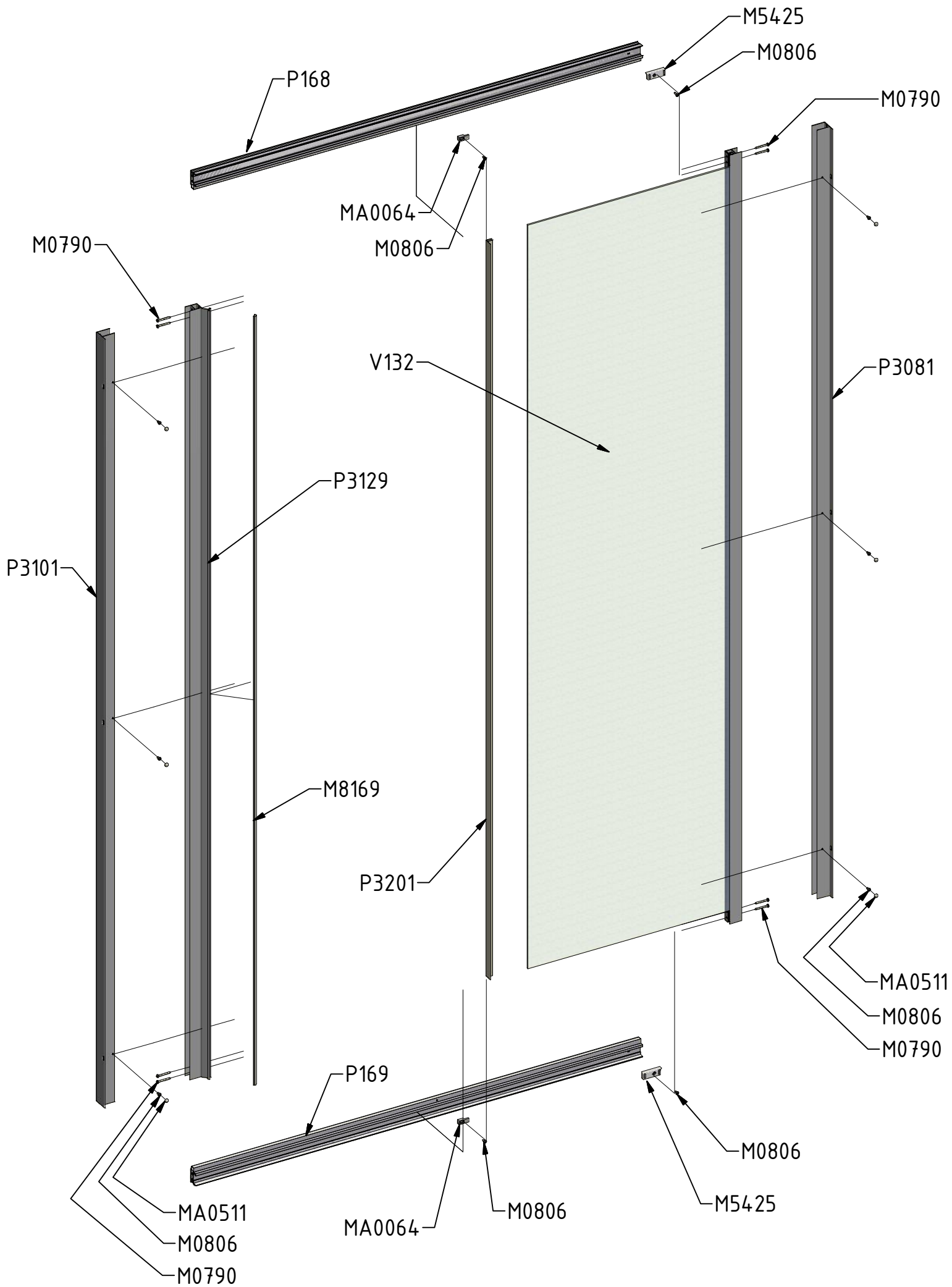


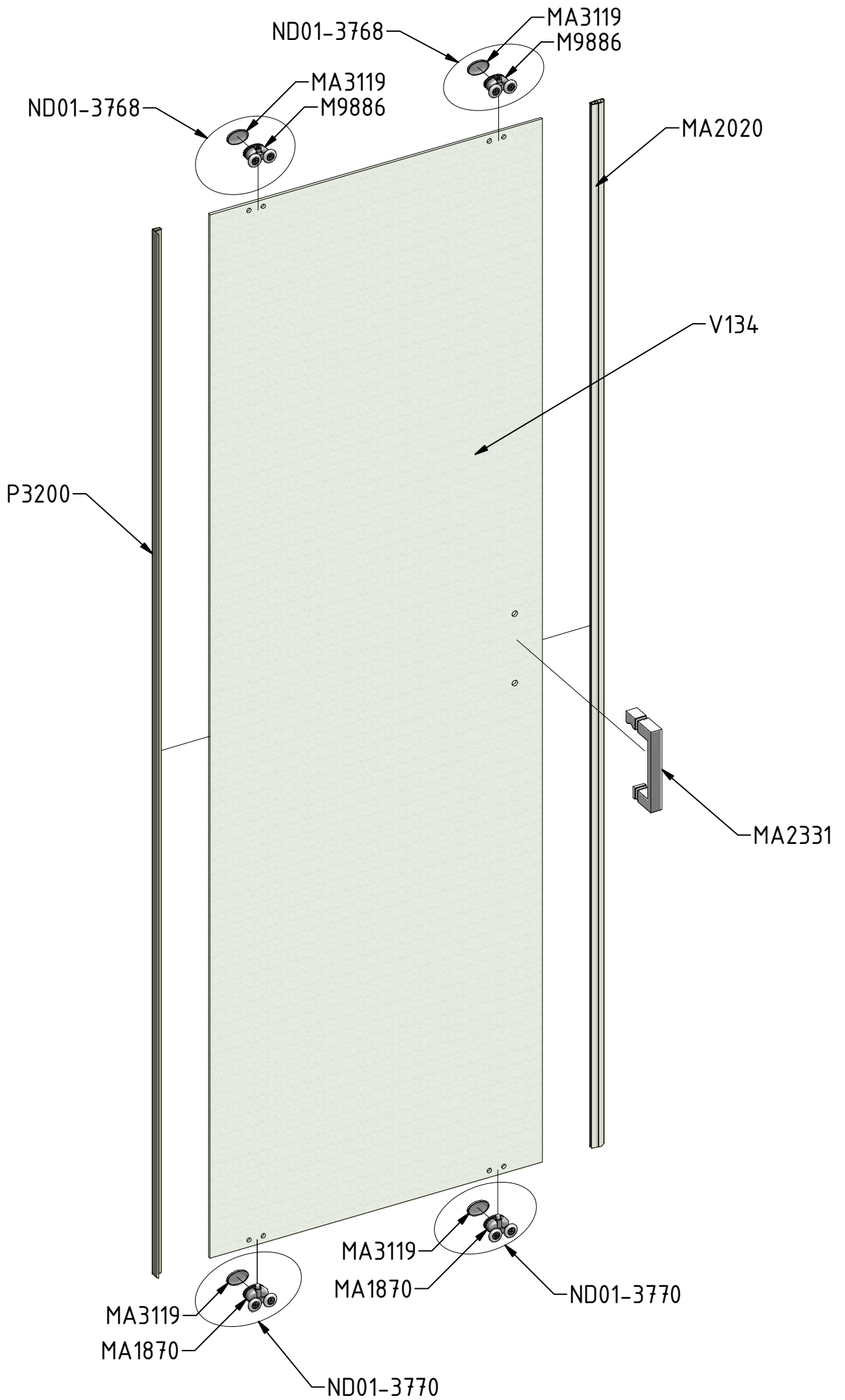
20











|      |      |                      |                 |
|------|------|----------------------|-----------------|
| V132 | 1000 | brillant+clear glass | ND03-0530-00-02 |
|      |      | brillant+intima      | ND03-0530-00-21 |
|      | 1200 | brillant+clear glass | ND03-0531-00-02 |
|      |      | brillant+intima      | ND03-0531-00-21 |
|      | 1300 | brillant+clear glass | ND03-0649-00-02 |
|      |      |                      |                 |
|      | 1400 | brillant+clear glass | ND03-0532-00-02 |
|      |      | brillant+intima      | ND03-0532-00-21 |
|      | 1500 | brillant+clear glass | ND03-0857-00-02 |
|      |      |                      |                 |
|      | 1600 | brillant+clear glass | ND03-0533-00-02 |
|      |      | brillant+intima      | ND03-0533-00-21 |
|      | 1700 | brillant+clear glass | ND03-0700-00-02 |
|      |      | brillant+intima      | ND03-0700-00-21 |
|      | 1800 | brillant+clear glass | ND03-0701-00-02 |
|      |      | brillant+intima      | ND03-0701-00-21 |

|      |      |             |              |
|------|------|-------------|--------------|
| V134 | 1000 | clear glass | ND02-0665-02 |
|      |      | intima      | ND02-0665-21 |
|      | 1200 | clear glass | ND02-0666-02 |
|      |      | intima      | ND02-0666-21 |
|      | 1300 | clear glass | ND02-0729-02 |
|      |      |             |              |
|      | 1400 | clear glass | ND02-0667-02 |
|      |      | intima      | ND02-0667-21 |
|      | 1500 | clear glass | ND02-0883-02 |
|      |      |             |              |
|      | 1600 | clear glass | ND02-0668-02 |
|      |      | intima      | ND02-0668-21 |
|      | 1700 | clear glass | ND02-0766-02 |
|      |      | intima      | ND02-0766-21 |
|      | 1800 | clear glass | ND02-0767-02 |
|      |      | intima      | ND02-0767-21 |

|      |      |          |       |
|------|------|----------|-------|
| P168 | 1000 | brillant | P3333 |
|      | 1200 |          | P3335 |
|      | 1300 |          | P4174 |
|      | 1400 |          | P3337 |
|      | 1500 |          | P5772 |
|      | 1600 |          | P3339 |
|      | 1700 |          | P4102 |
|      | 1800 |          | P4104 |

|      |      |          |       |
|------|------|----------|-------|
| P169 | 1000 | brillant | P3334 |
|      | 1200 |          | P3336 |
|      | 1300 |          | P4175 |
|      | 1400 |          | P3338 |
|      | 1500 |          | P5773 |
|      | 1600 |          | P3340 |
|      | 1700 |          | P4103 |
|      | 1800 |          | P4105 |

