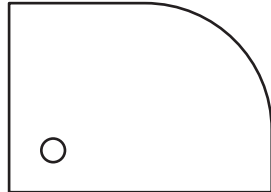
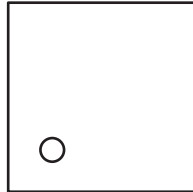


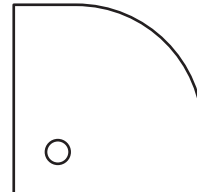
KARIA



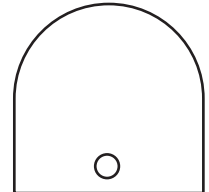
RENA



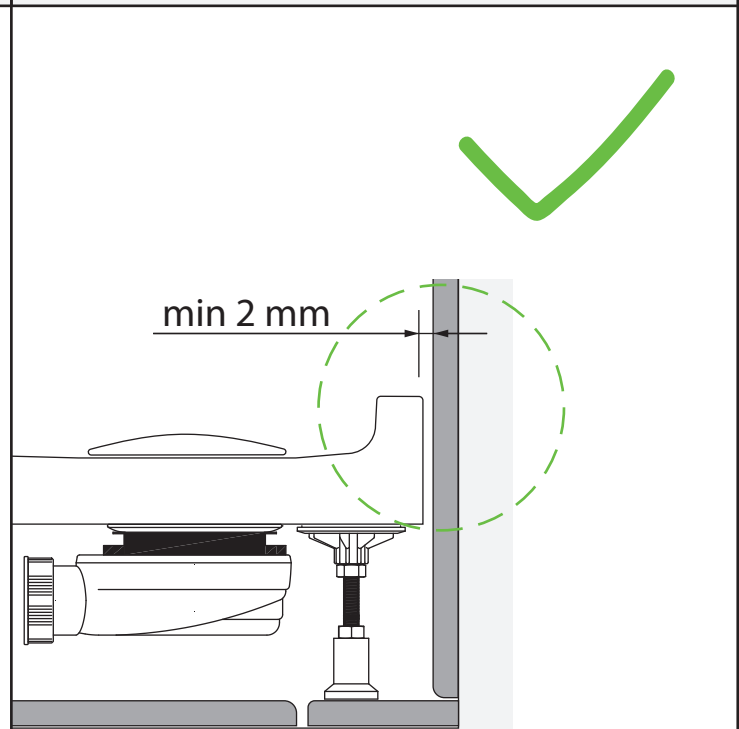
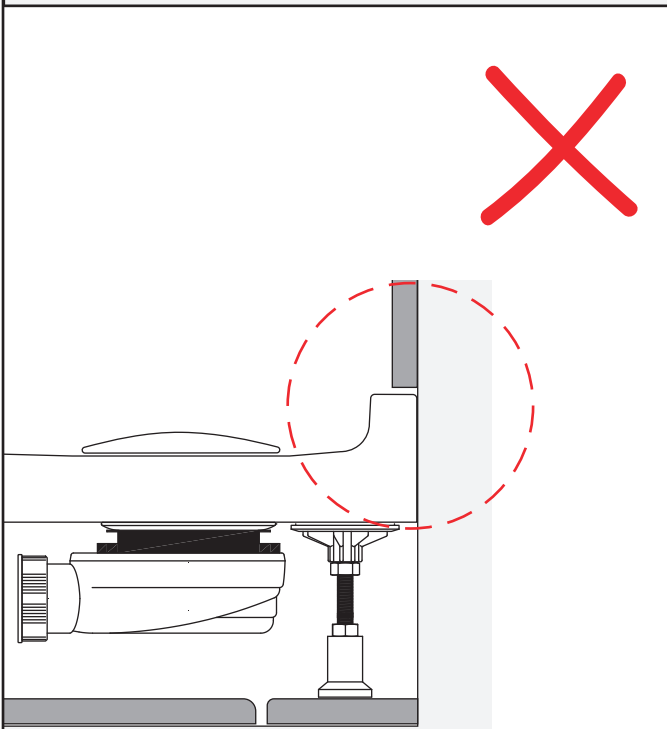
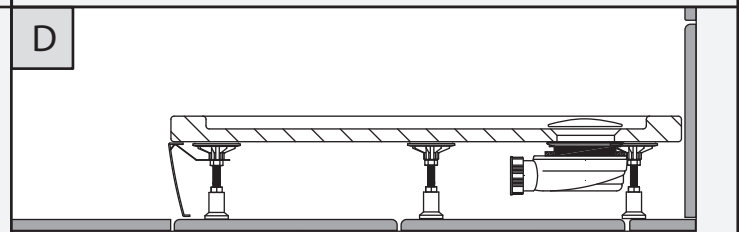
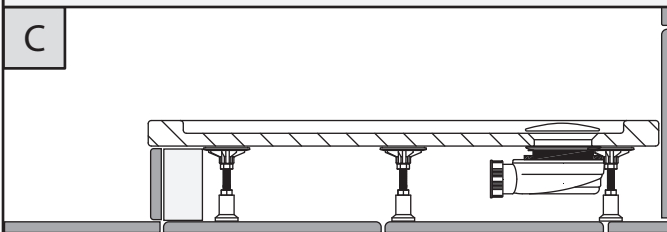
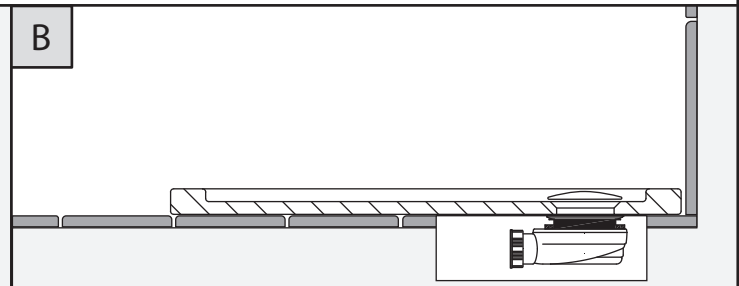
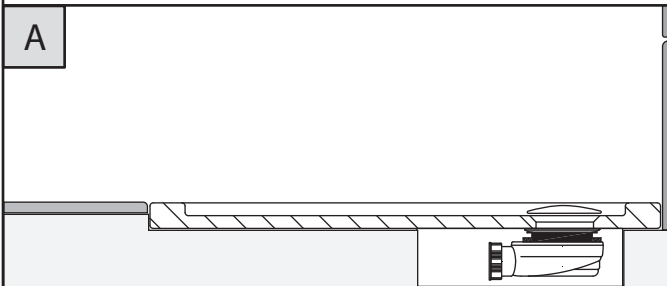
AURA

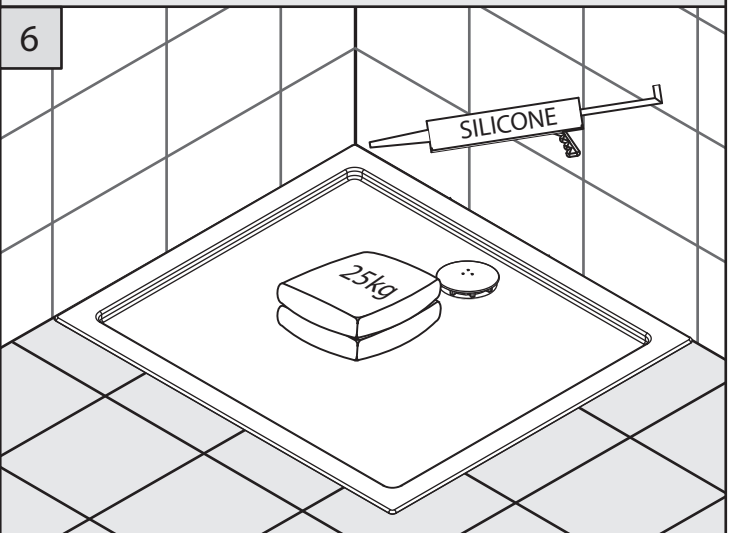
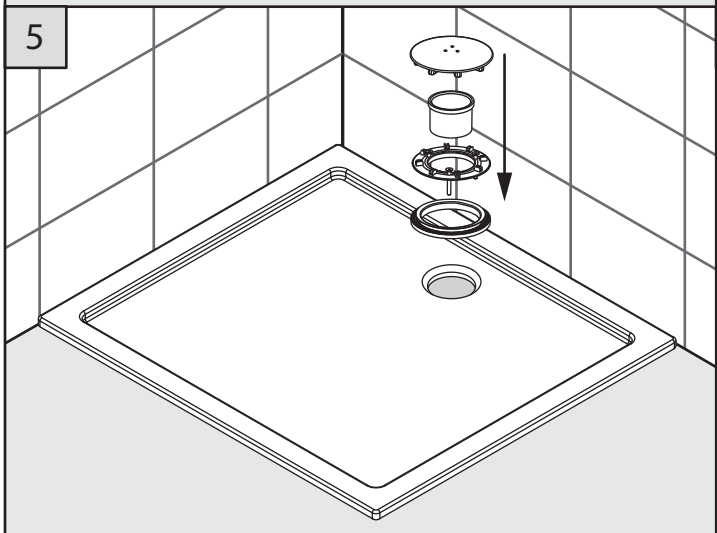
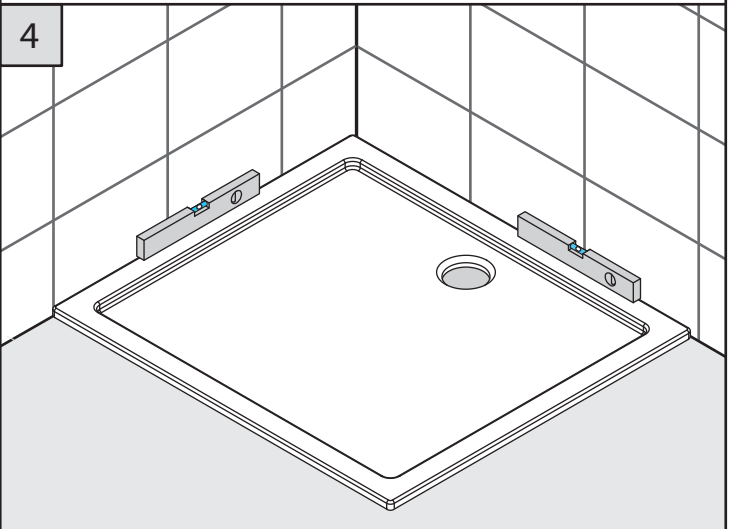
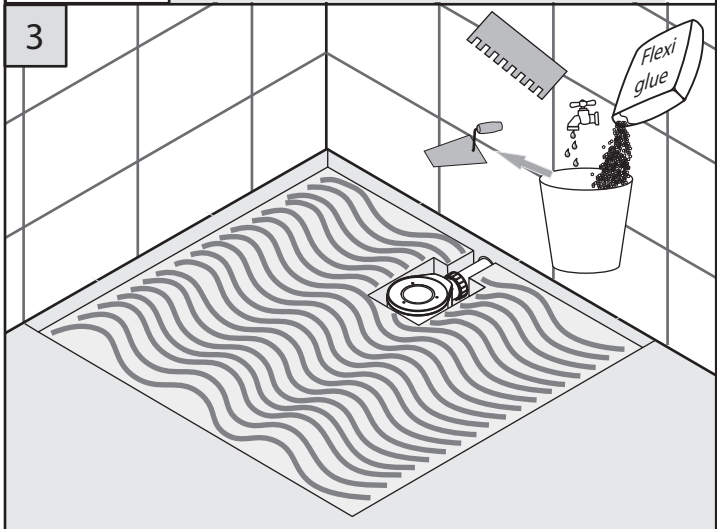
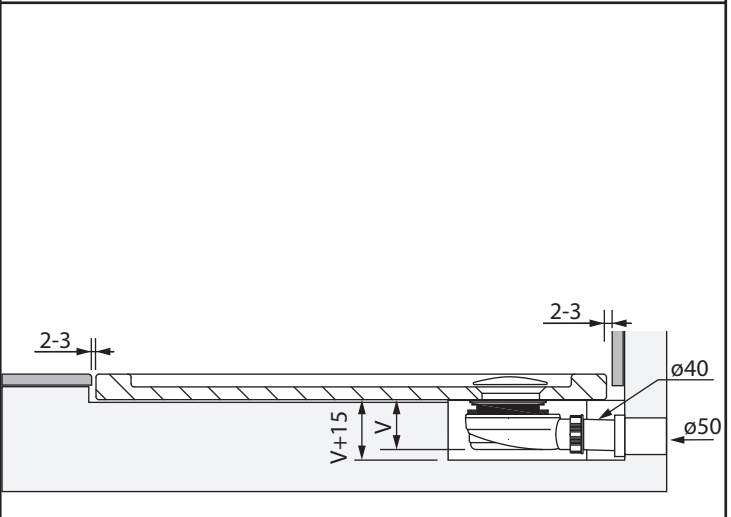
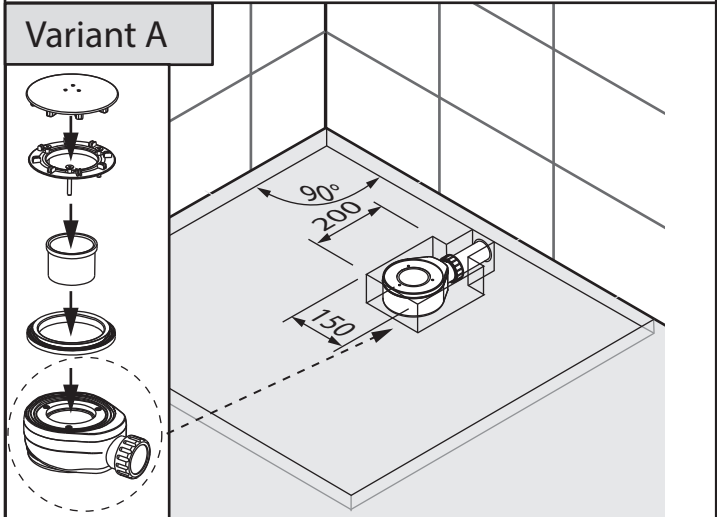
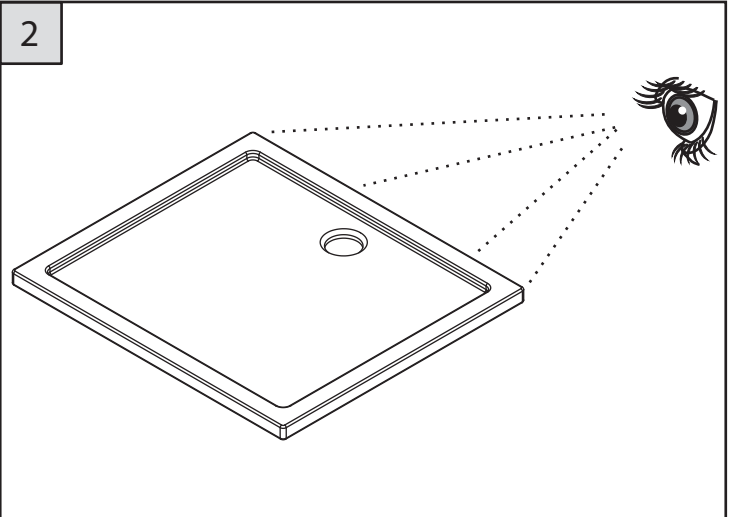
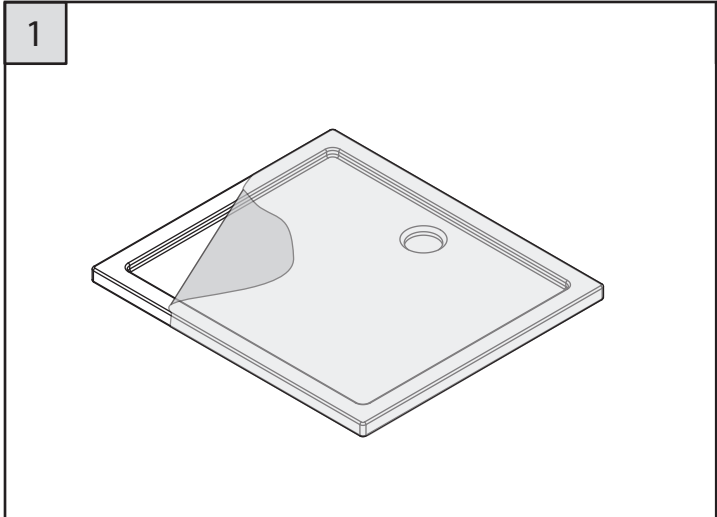


SERA

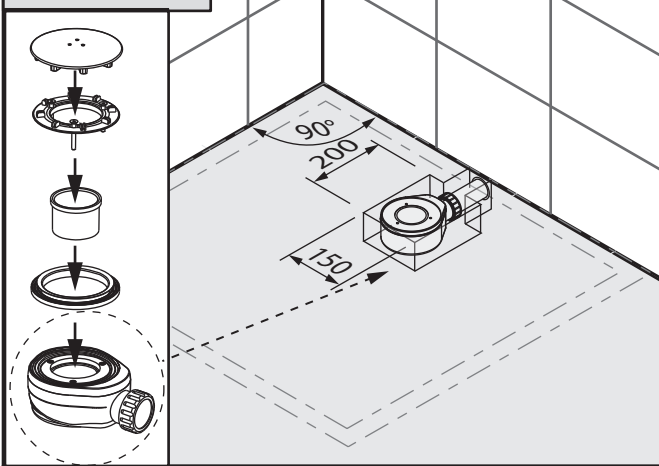


ISA

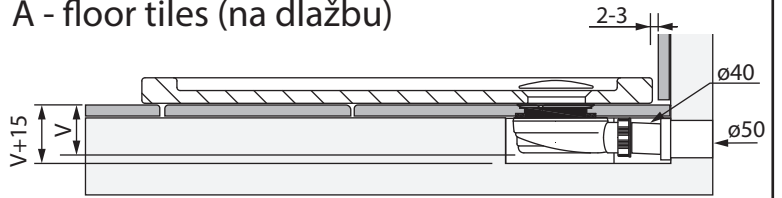




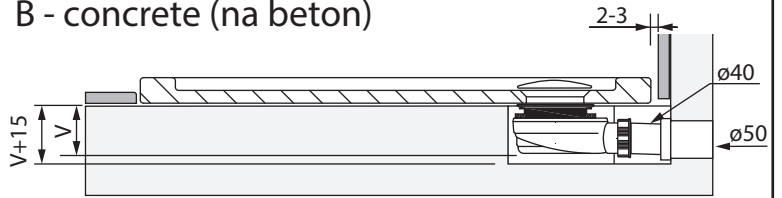
**Variant B**



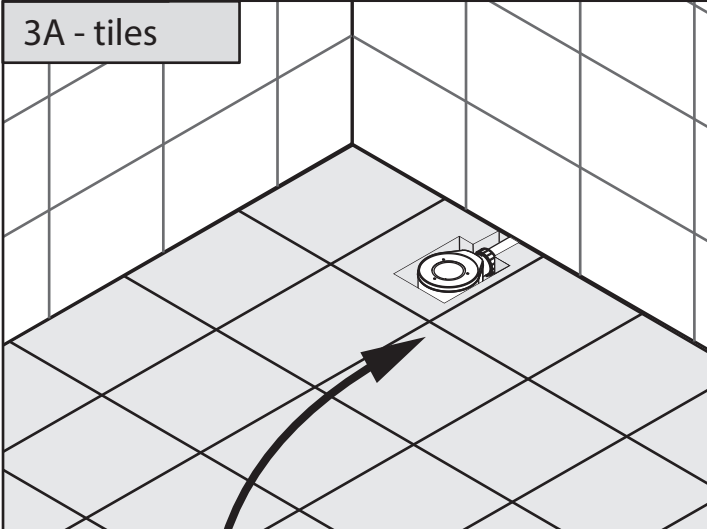
**A - floor tiles (na dlažbu)**



**B - concrete (na beton)**



**3A - tiles**



**3B - concrete**

