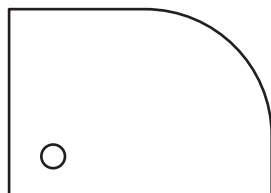
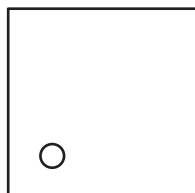


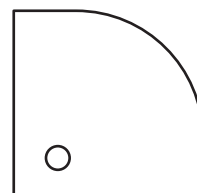
KARIA



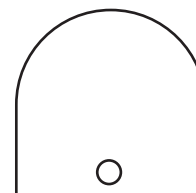
RENA



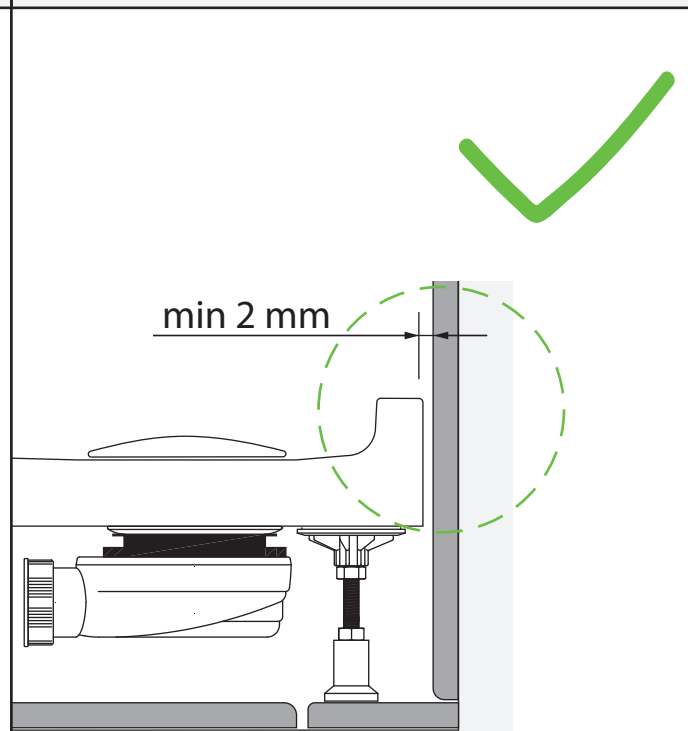
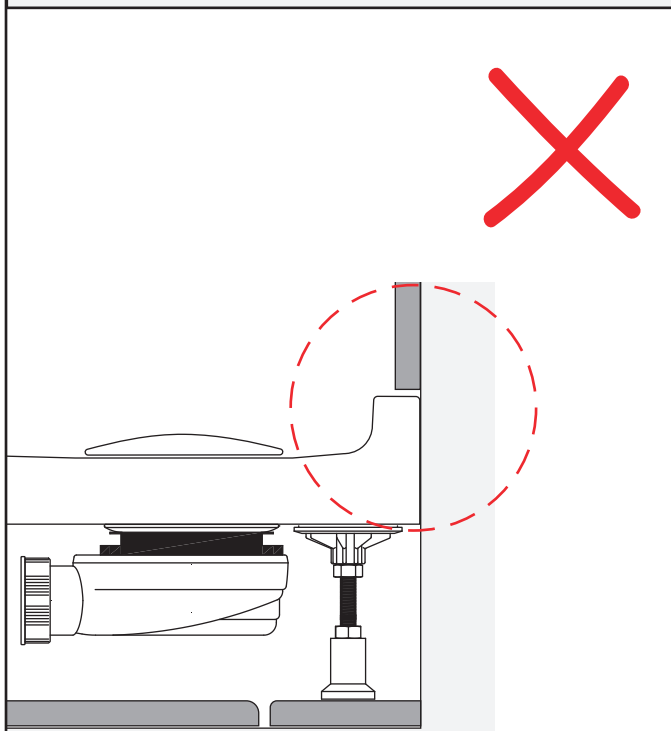
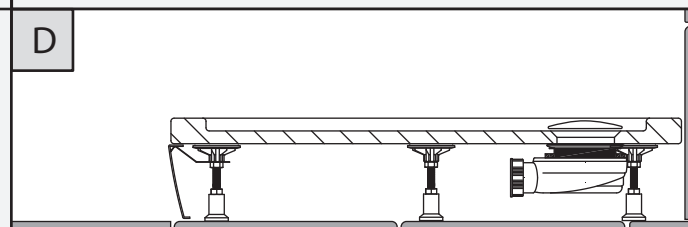
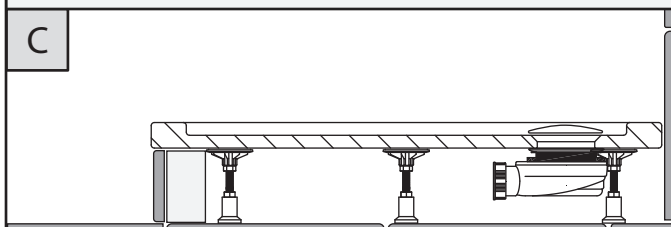
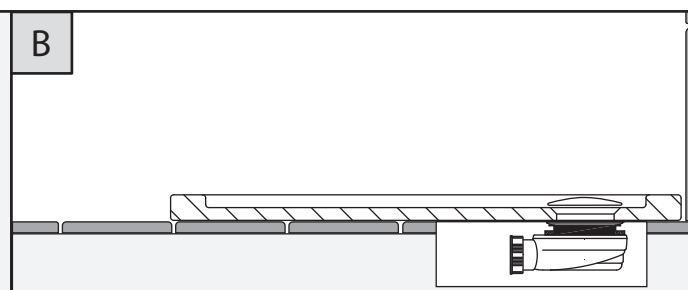
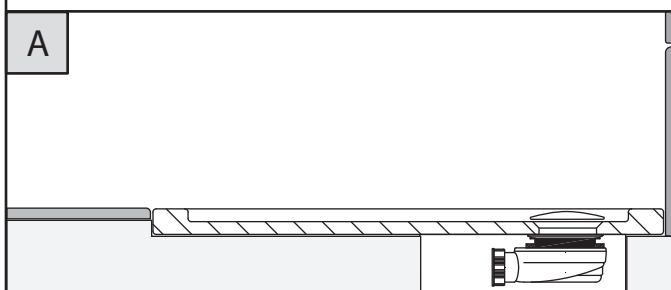
AURA

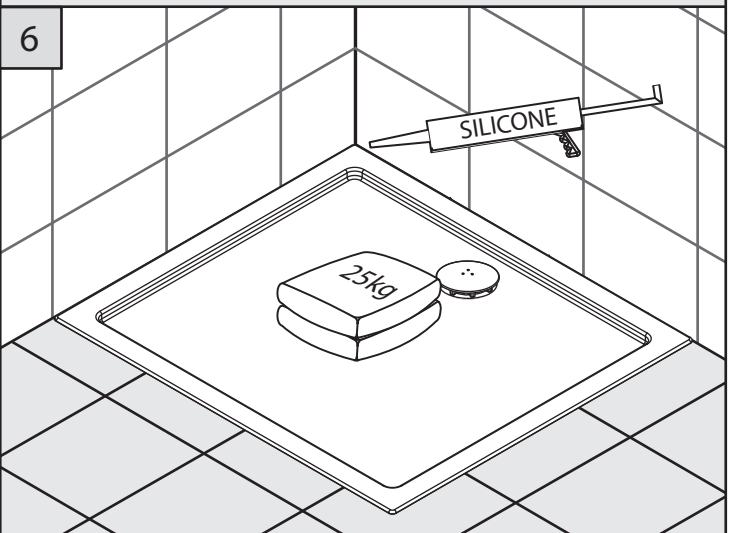
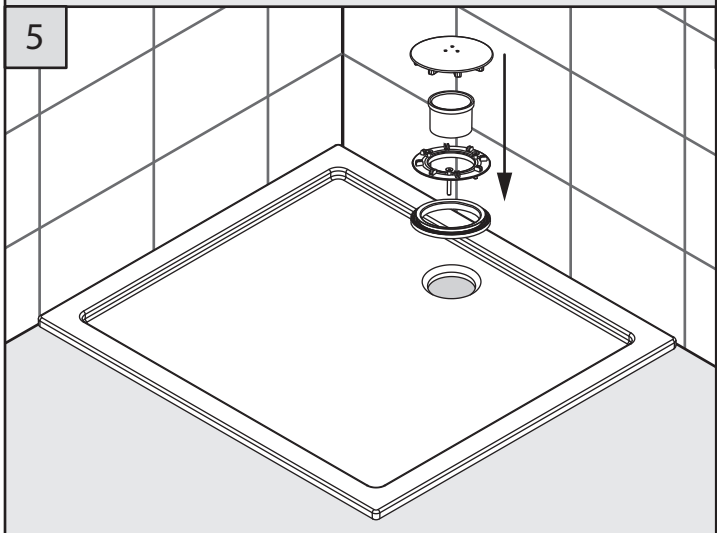
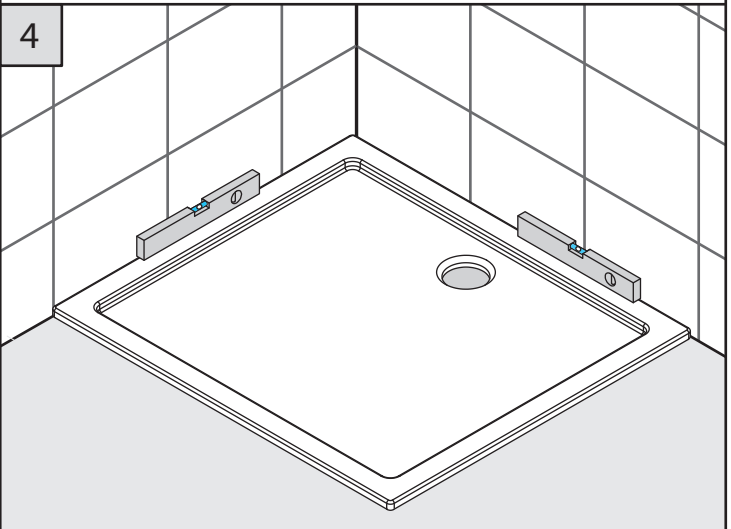
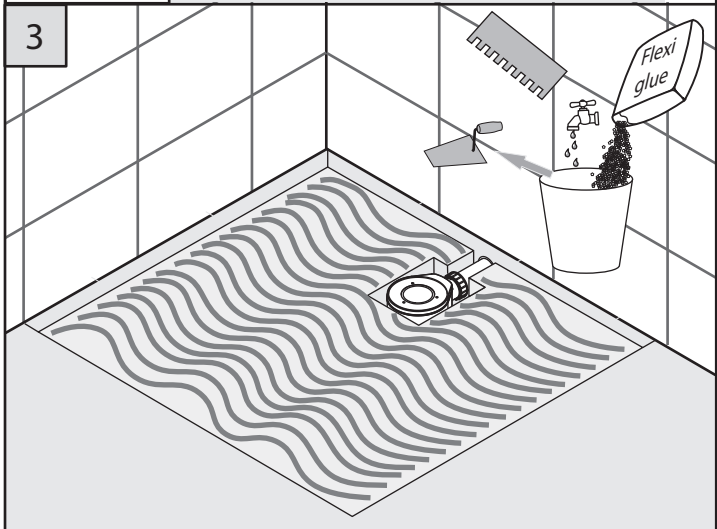
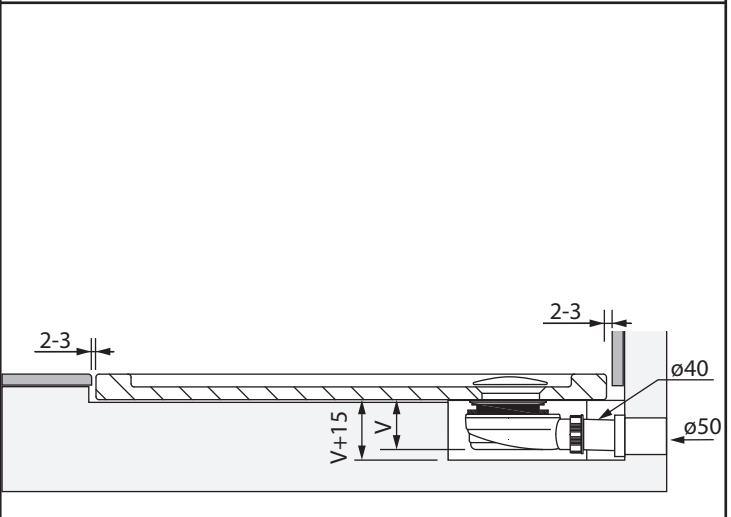
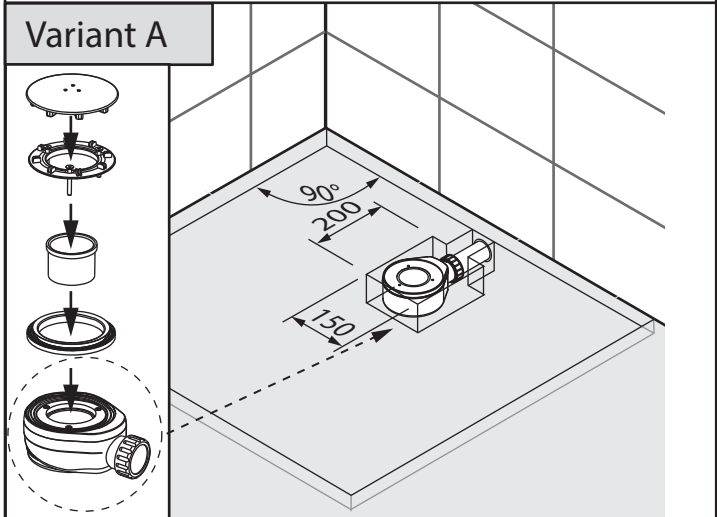
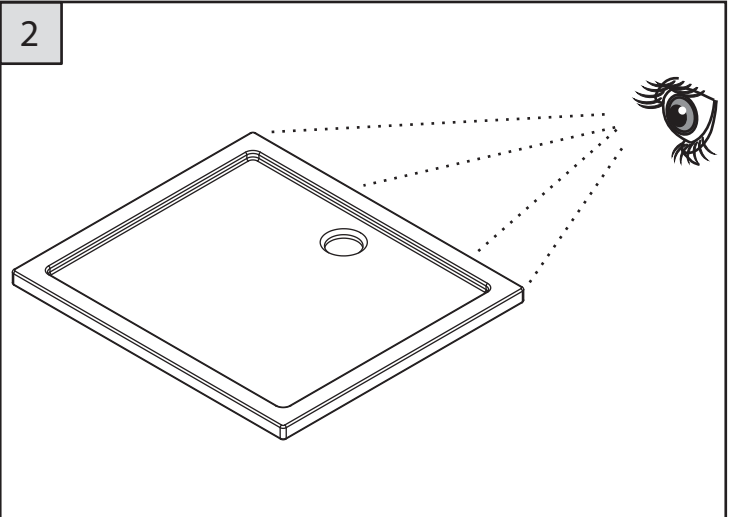
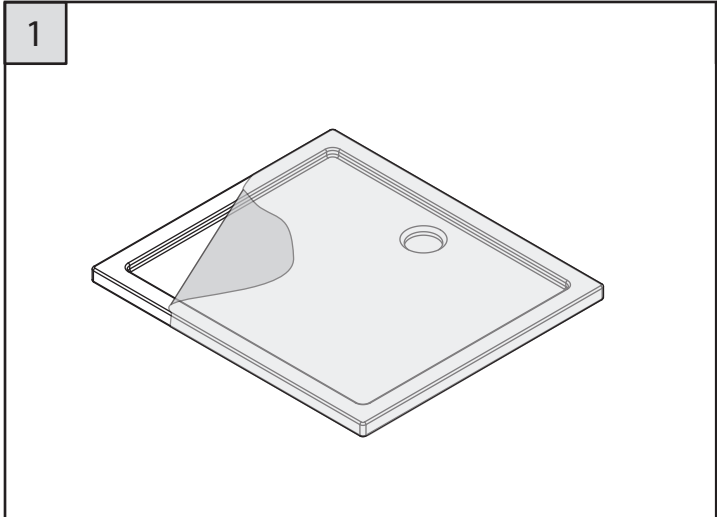


SERA

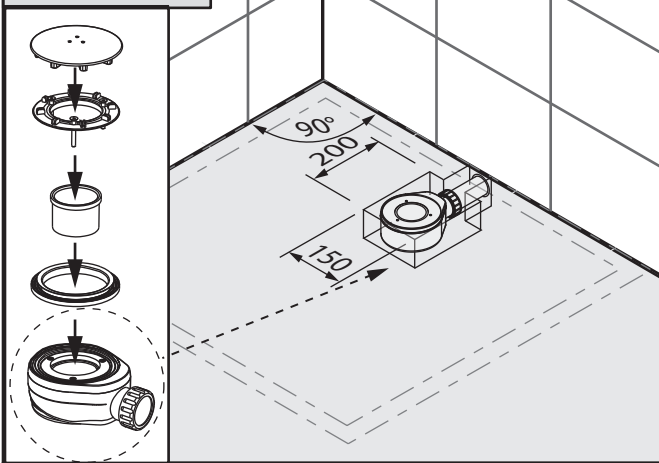


ISA

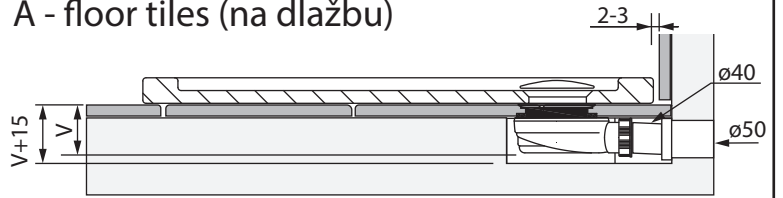




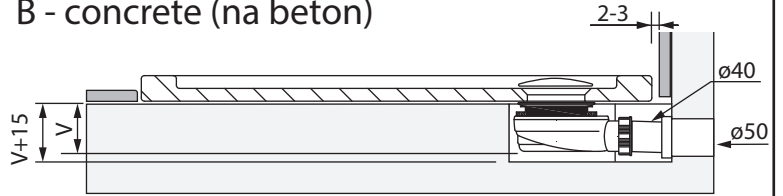
Variant B



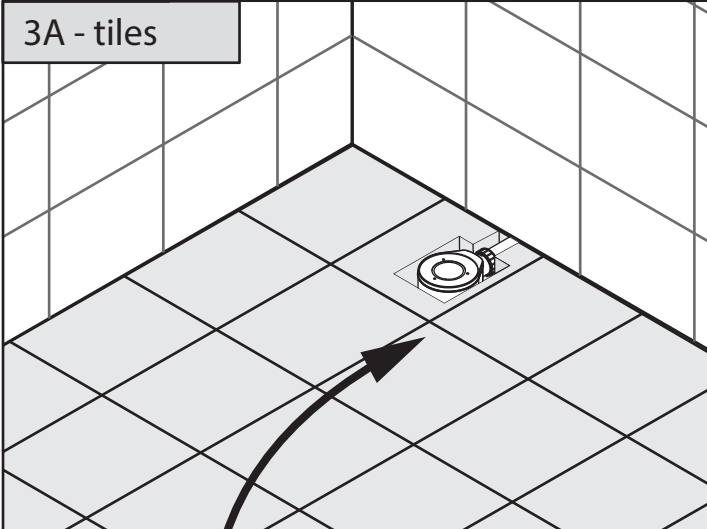
A - floor tiles (na dlažbu)



B - concrete (na beton)



3A - tiles



3B - concrete

