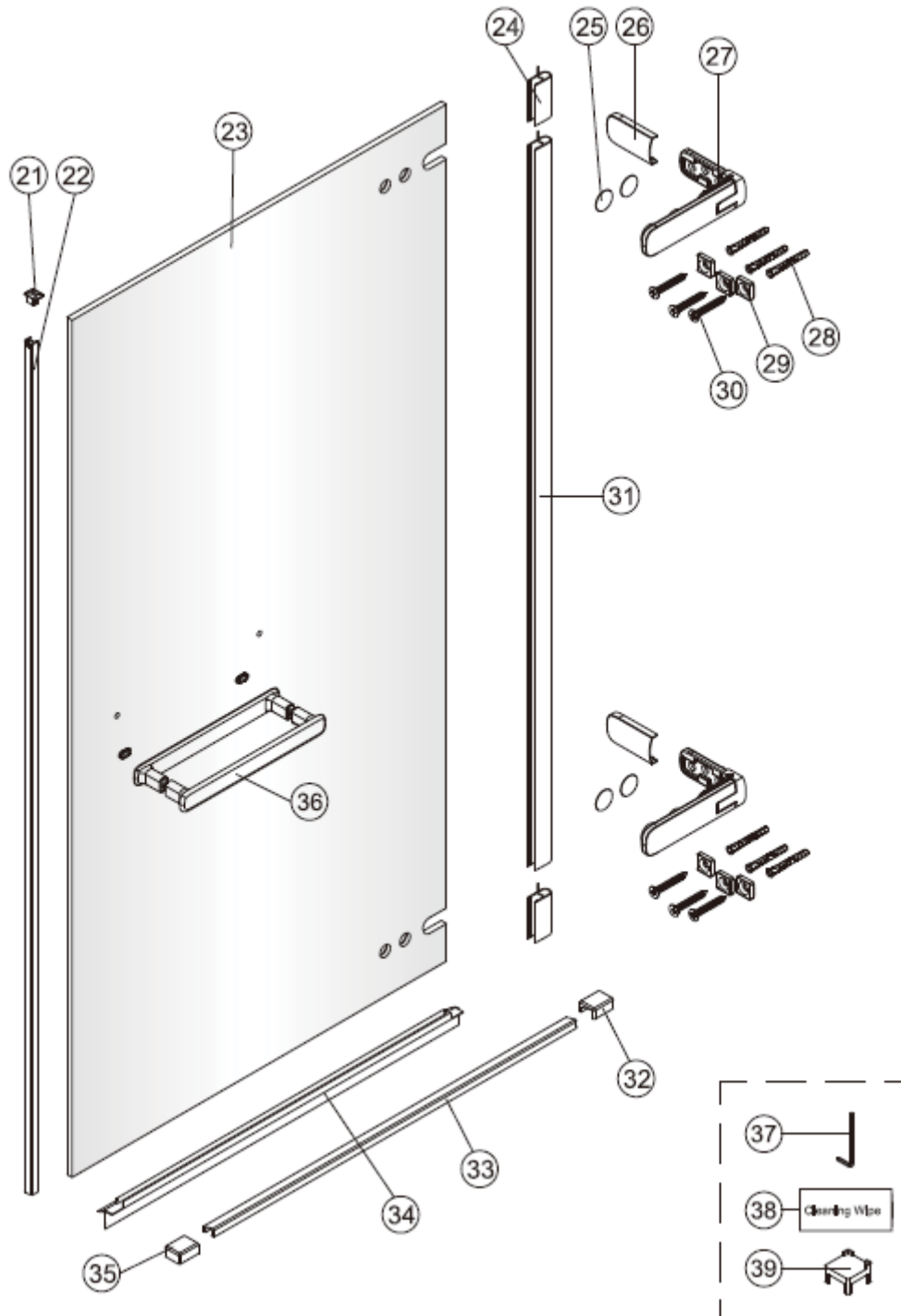




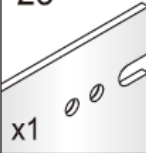









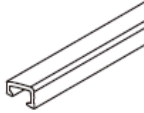
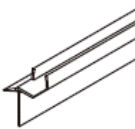

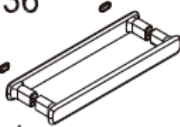


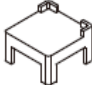
SATTGDO80CT

SATTGDO90CT

SATTGDO100CT



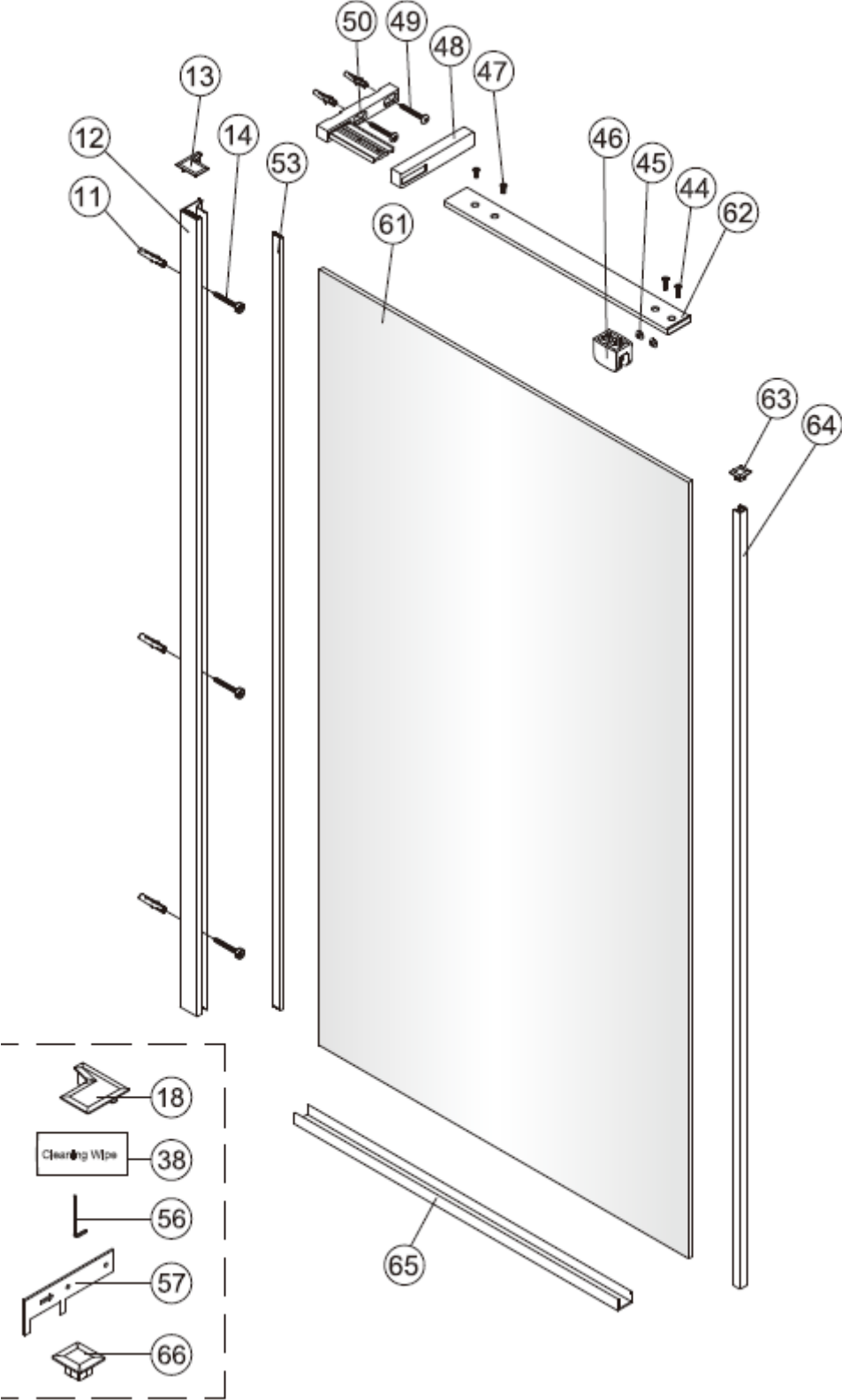
21		NDSATTGDNOC21
22		NDSATTGDNOC22
23	80	NDSATTGDO8023
	90	NDSATTGDO9023
	100	NDSATTGDO10023
24		NDSATTGDOC24
25		NDSATTGDNOC25
26		NDSATTGDOC26
27		NDSATTGDOC27
28		-
29		NDSATTGDOCR29
30		-
31		NDSATTGDOC31
32		NDSATTGDNOC32
33	80	NDSATTGDO80C33
	90	NDSATTGDO90C33
	100	NDSATTGDO100C33
34	80	NDSATTGDO80C34
	90	NDSATTGDO90C34
	100	NDSATTGDO100C34
35		NDSATTGDNOC35
36		NDSATTGDNOC36

21  x1	22  x1	23  x1	24  x2	25  x4
26  x2	27  x2	28  x6	29  x6	30  x6 ST5X45
31  x1	32  x1	33  x1	34  x1	35  x1
36  x1	37  x1 5mm	38  x1	39  x1	

SATTGDNSTENA80CT

SATTGDNSTENA90CT

SATTGDNSTENA100CT



12		NDSATTGDNC12
13		NDSATTGDN13
18		NDSATTGDN18
45		NDSATTGDNC45
46		NDSATTGDNC46
48		NDSATTGDNCR48
50		NDSATTGDNC50
53		NDSATTGDN53C
62		NDSATTGDNSTENAC62
63		NDSATTGDNSTENA63C
64		NDSATTGDNSTC64
65	80	NDSATTGDNST80C65
	90	NDSATTGDNST90C65
	100	NDSATTGDNST100C65
66		NDSATTGDNSTENA66C