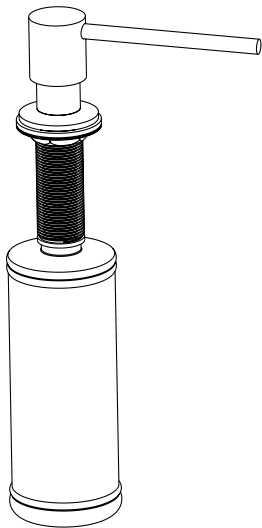
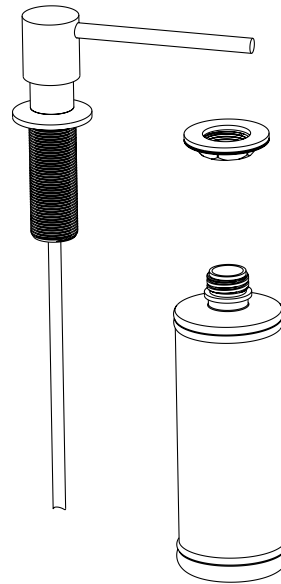


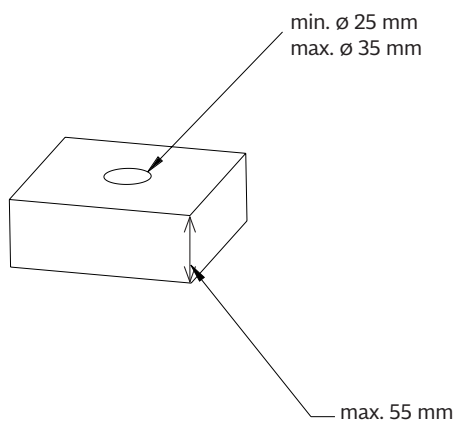
1



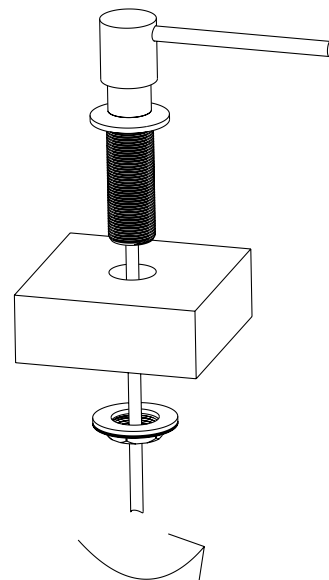
2



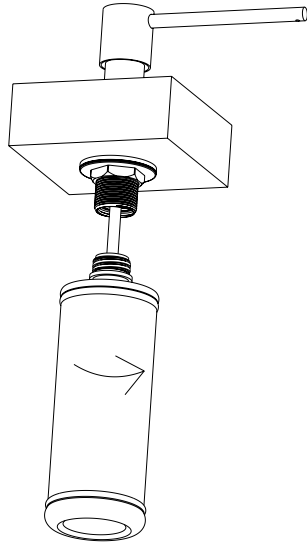
3



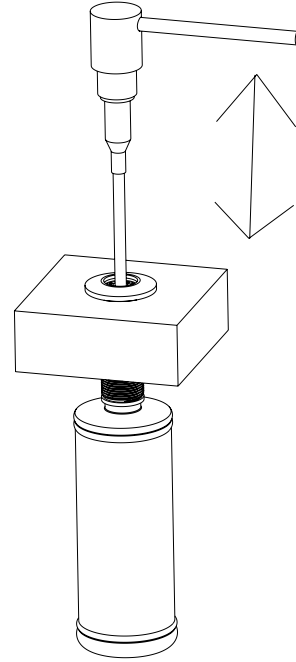
4



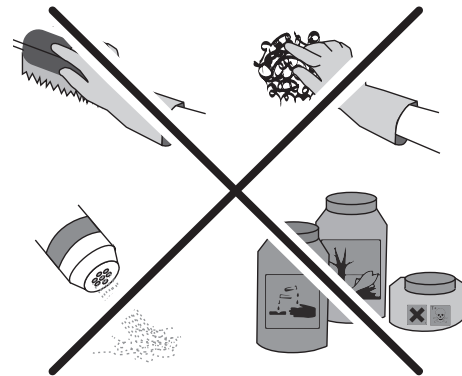
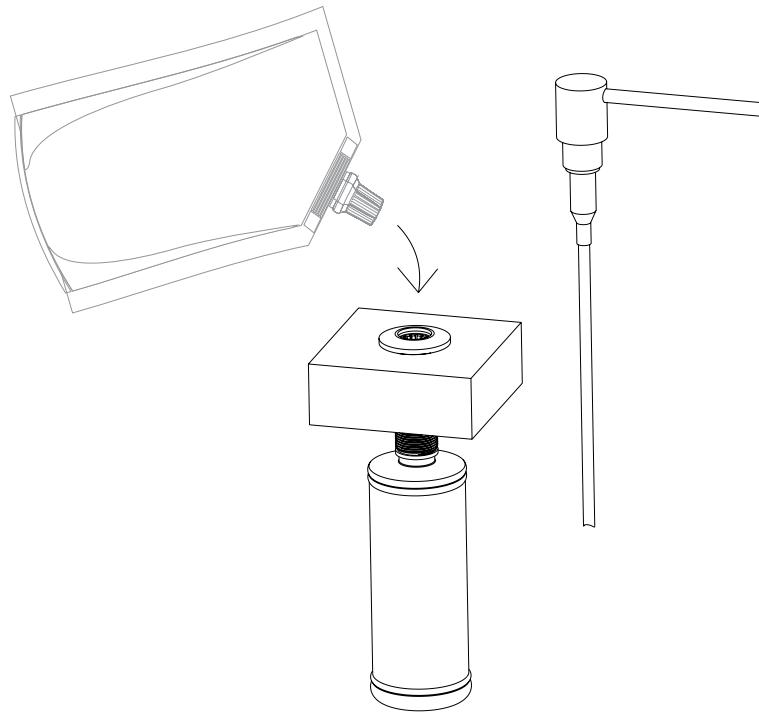
5



6



7



SAT® is registered trademark of



Swiss Aqua Technologies AG  
 Gewerbestrasse 9, 6330 Cham, Switzerland  
[www.swatec.ch](http://www.swatec.ch)  
 Imported by SIKO KOUPELNY a.s.  
 Made in P.R.C.

