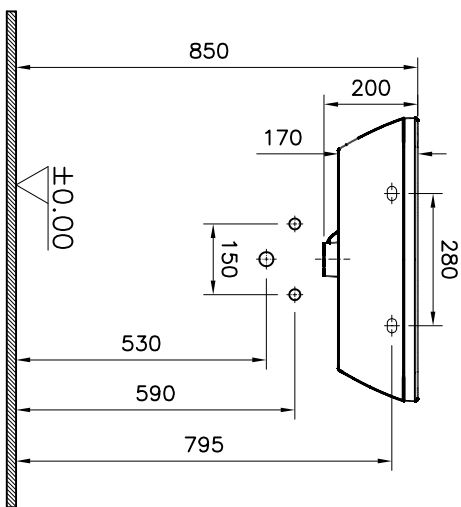
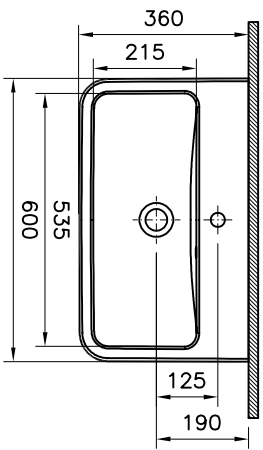


|                                |           |
|--------------------------------|-----------|
| Theoretic Mass(kg)             | Revision  |
| Surface Area(dm <sup>2</sup> ) | <b>A4</b> |

|        |      |       |
|--------|------|-------|
| Thread | Hole | Shaft |
|--------|------|-------|



|      |          |  |        |                      |            |          |                |
|------|----------|--|--------|----------------------|------------|----------|----------------|
| Item | Quantity | Part Name  | Series | Material             | Drawing No | Material | Material Class |
| 1    | 1        | Compact Lavabo, 60cm   |        | Ceramic              | 7088-0001  | Ceramic  |                |
|      |          | This drawing can only be used for the intended process. Unauthorised copying is strictly prohibited. |        | Compact Lavabo, 60cm |            |          |                |

|          |               |             |            |
|----------|---------------|-------------|------------|
| Drawn By | Controlled By | Approved By | Date       |
| T.TAYAR  | N.BALTACI     | S.V.SARIOL  | 27.02.2020 |
| RS       | Description   | Date        | NAME       |

|       |            |            |             |               |          |
|-------|------------|------------|-------------|---------------|----------|
| Scale | Drawing No | Date       | Approved By | Controlled By | Drawn By |
|       | 7088       | 27.02.2020 | S.V.SARIOL  | N.BALTACI     | T.TAYAR  |

**VITRA® | ARTEMIS®**