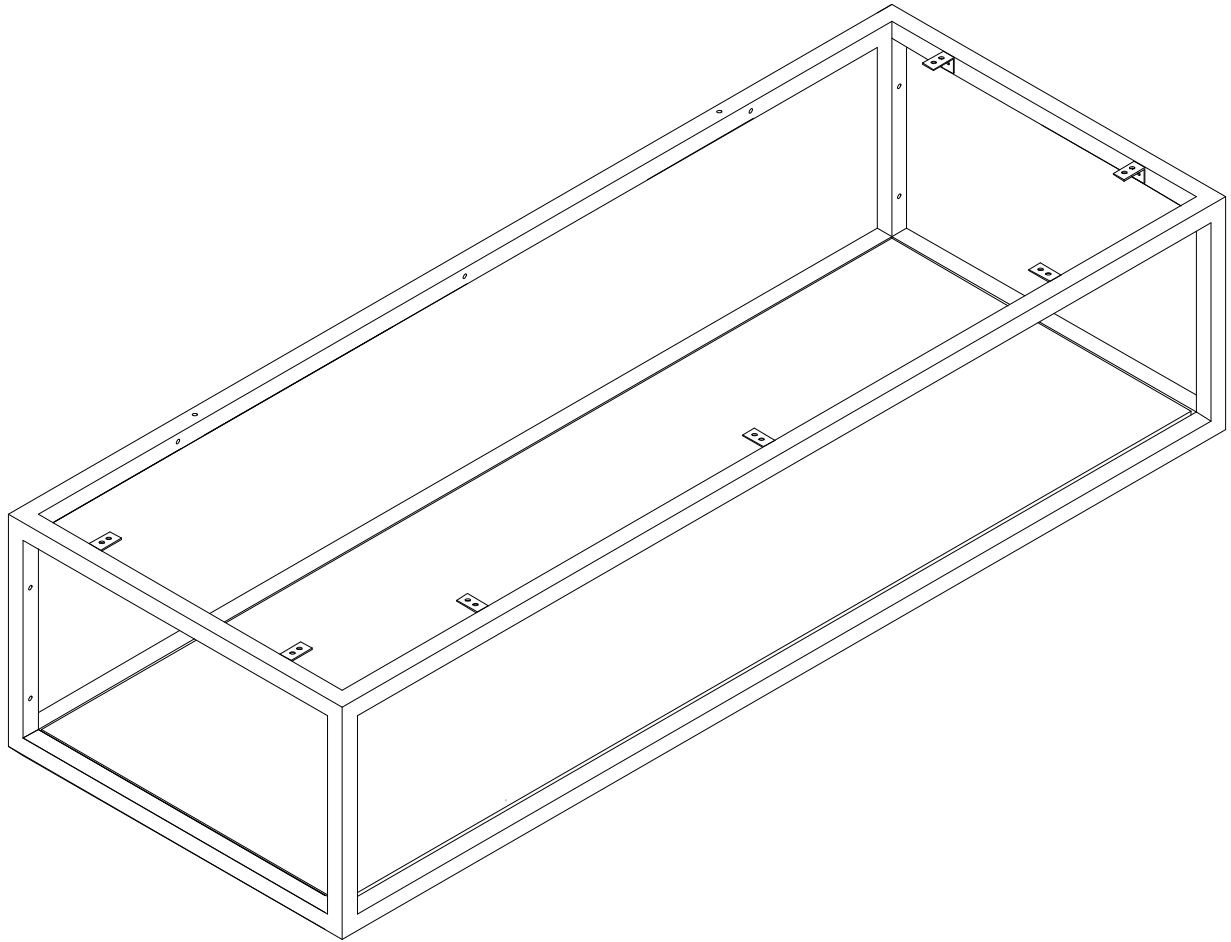


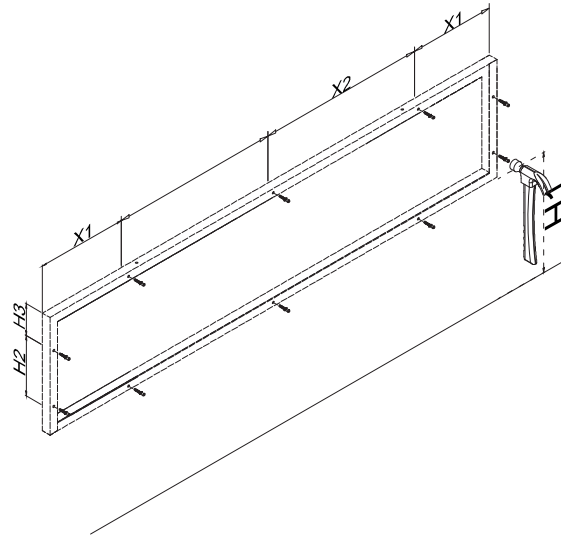
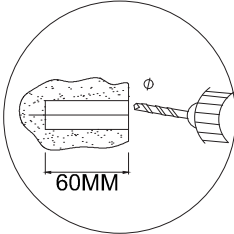
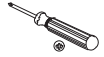


SAT

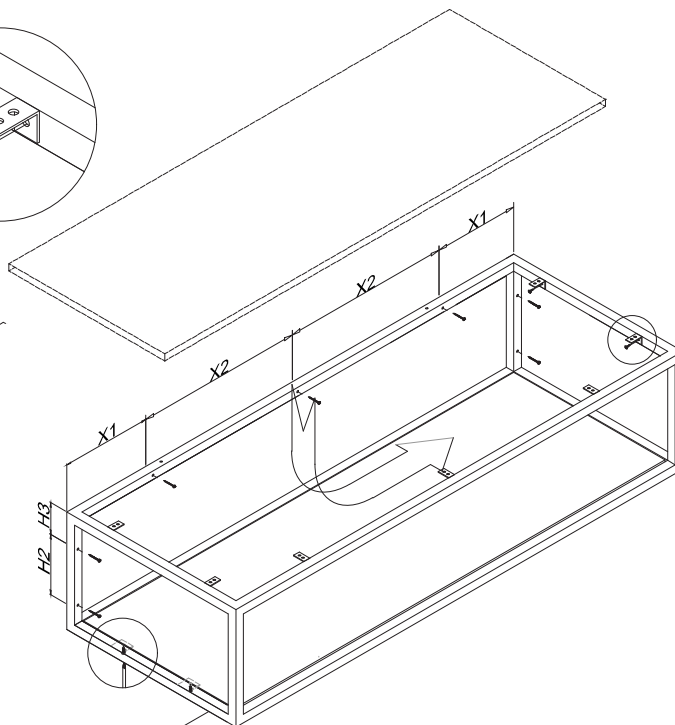
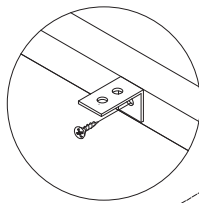
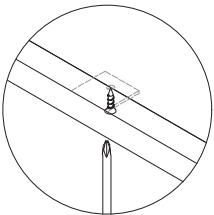
BWAY60FRAME
BWAY80FRAME
BWAY100FRAME
BWAY120FRAME



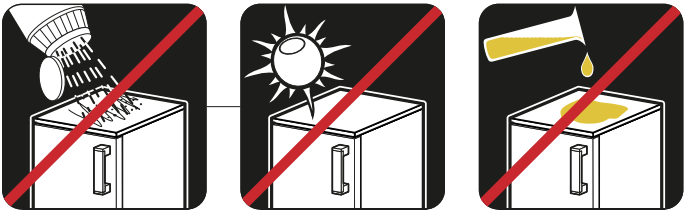
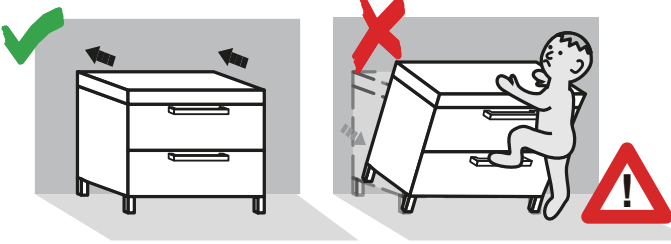
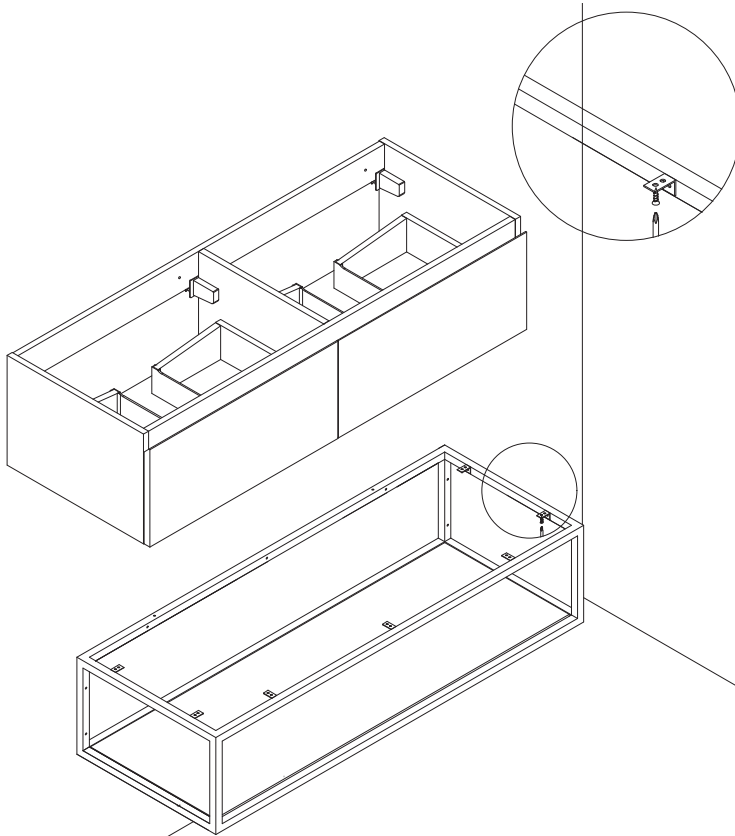
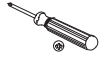
1



2



3



SAT® is registered trademark of



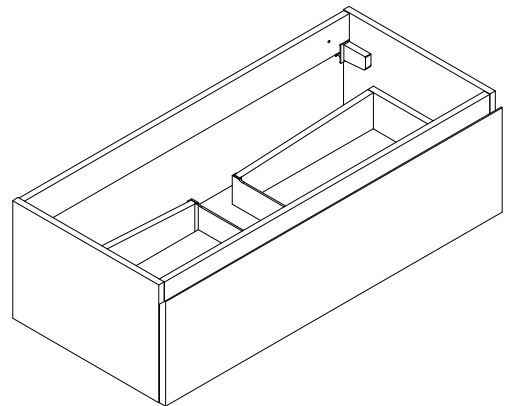
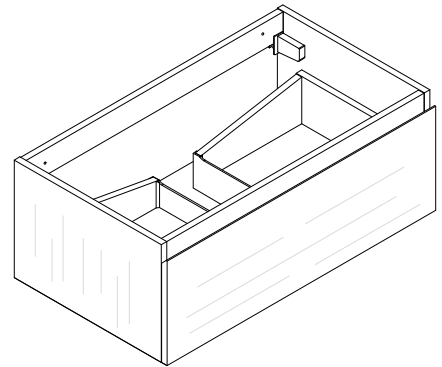
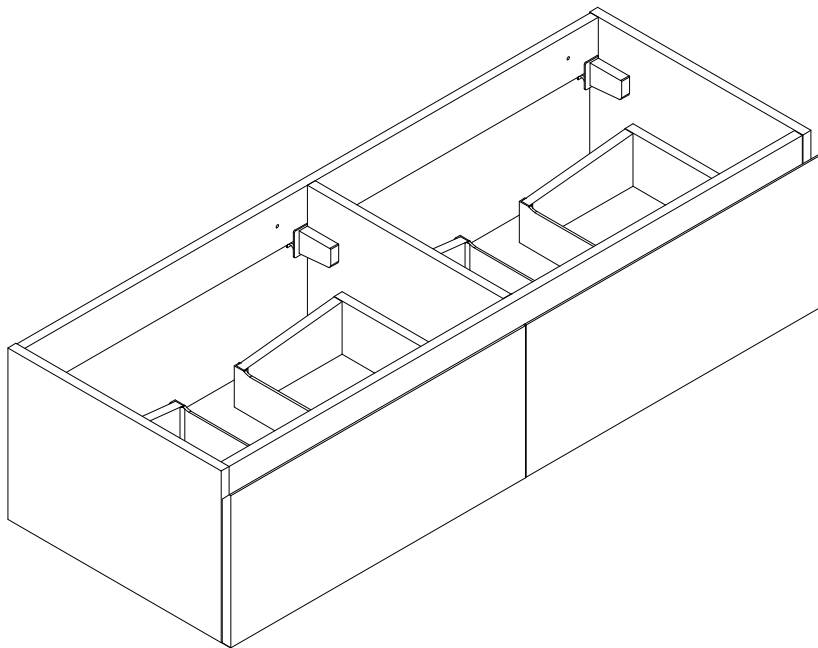
**Swiss
Aqua
Technologies**

Swiss Aqua Technologies AG
Gewerbstrasse 9, 6330 Cham, Switzerland
www.swatec.ch
Imported by SIKO KOUPELNY a.s.
Made in P.R.C.

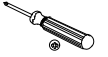
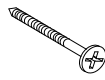


SAT

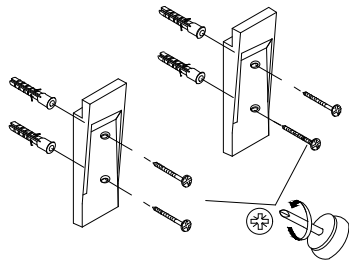
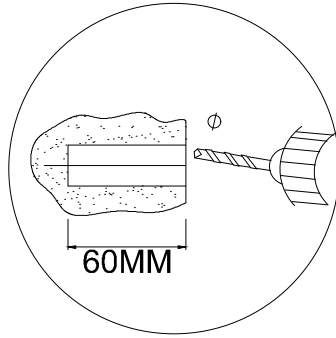
BWAY60W
BWAY600AK
BWAY80W
BWAY800AK
BWAY100W
BWAY1000AK
BWAY120W
BWAY1200AK



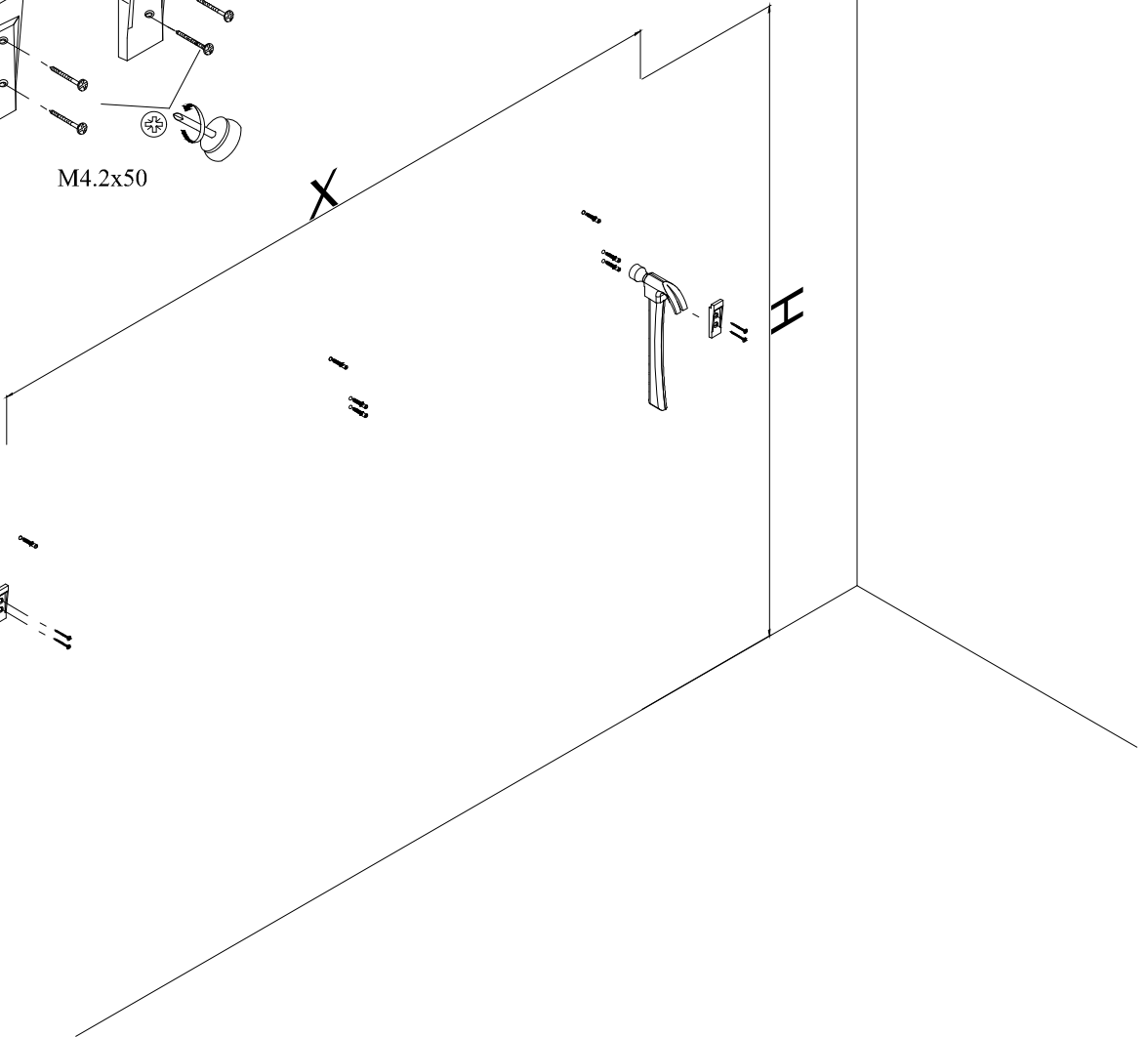
1

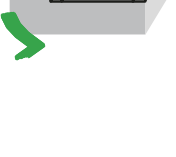
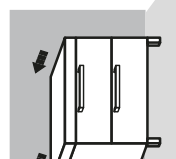
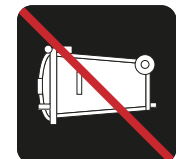
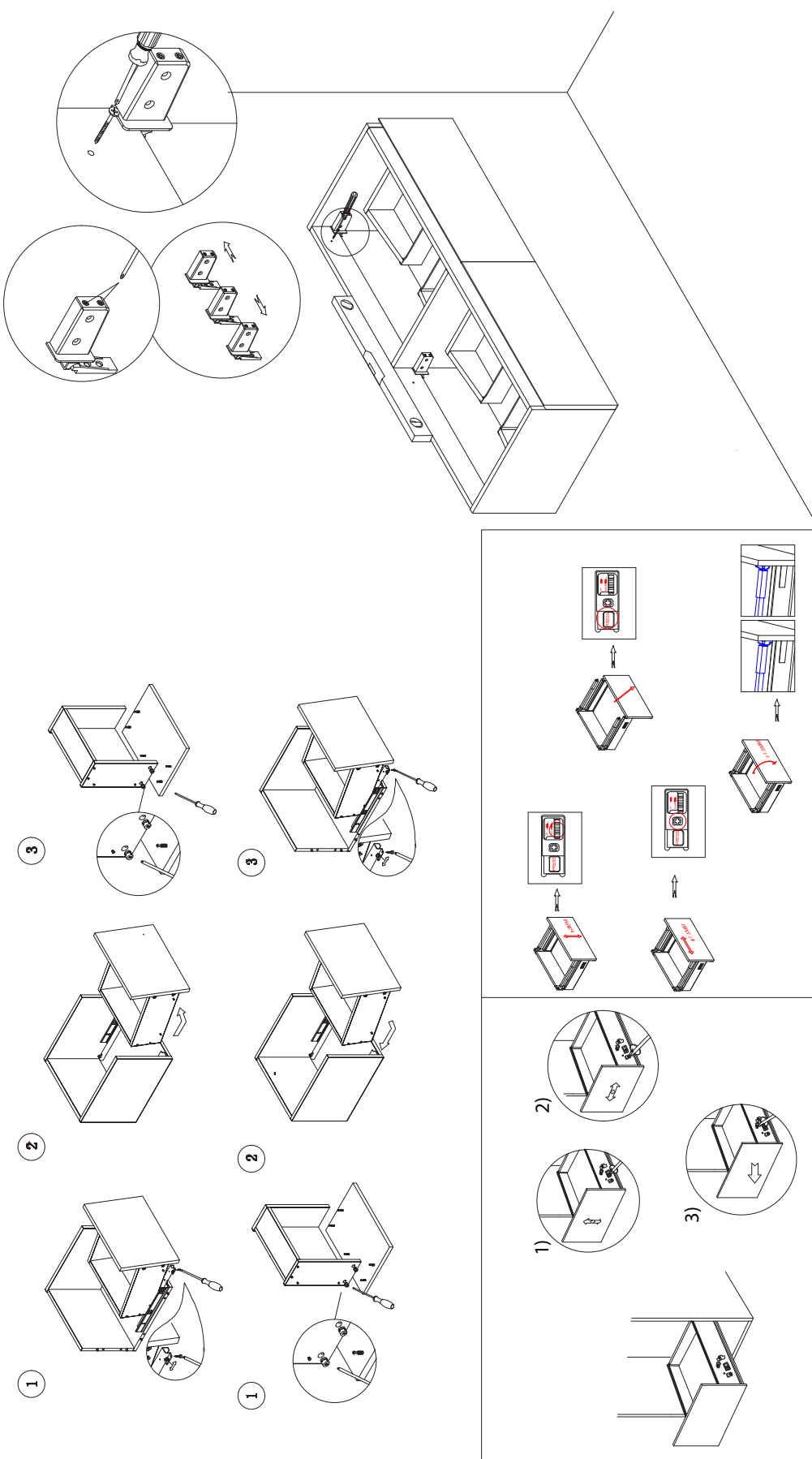


20mm



M4.2x50





SAT® is registered trademark of



**Swiss
Aqua
Technologies**

Swiss Aqua Technologies AG
Gewerbstrasse 9, 6330 Cham, Switzerland
www.swatec.ch
Imported by SIKO KOUPELNY a.s.
Made in P.R.C.



SATBSBW271 **SATBSBW210**
SATBSBW285 **SATBSBW215**
SATBSBW185 **SATBSBW031**
SATBSBW268 **SATBSBW180**
SATBSBW222 **SATBSBW183**



SATBSBW271



SATBSBW285



SATBSBW185



SATBSBW268



SATBSBW222



SATBSBW031



SATBSBW210



SATBSBW215

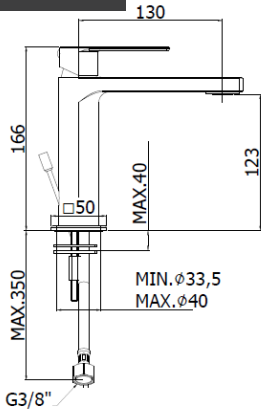


SATBSBW180

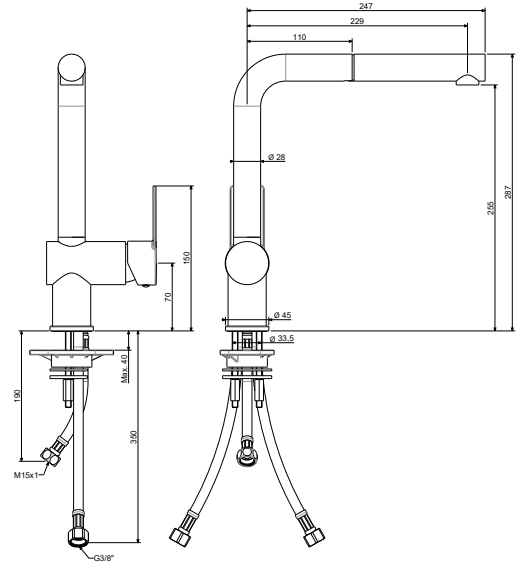


SATBSBW183

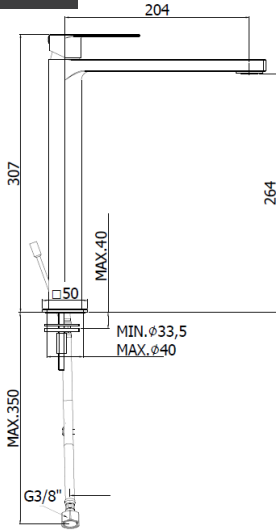
SATBSBW271



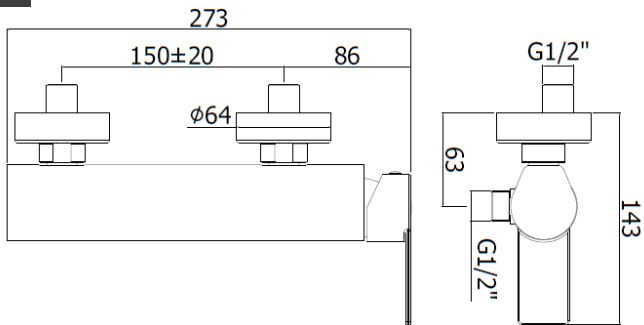
SATBSBW185



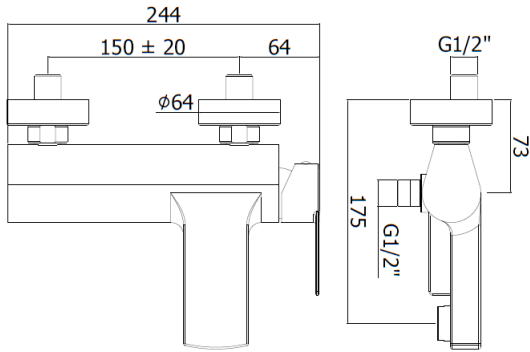
SATBSBW285



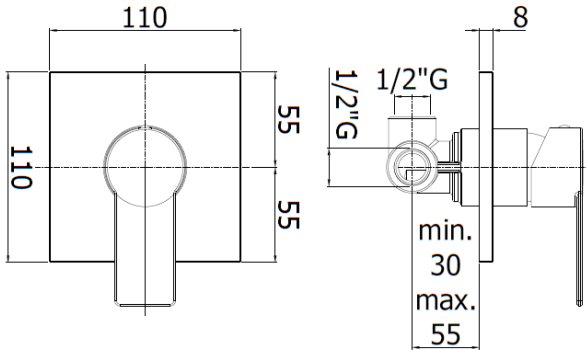
SATBSBW268



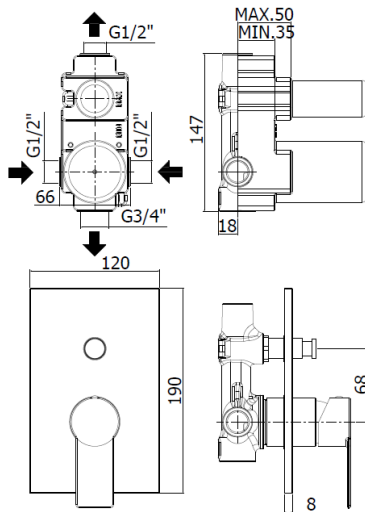
SATBSBW222

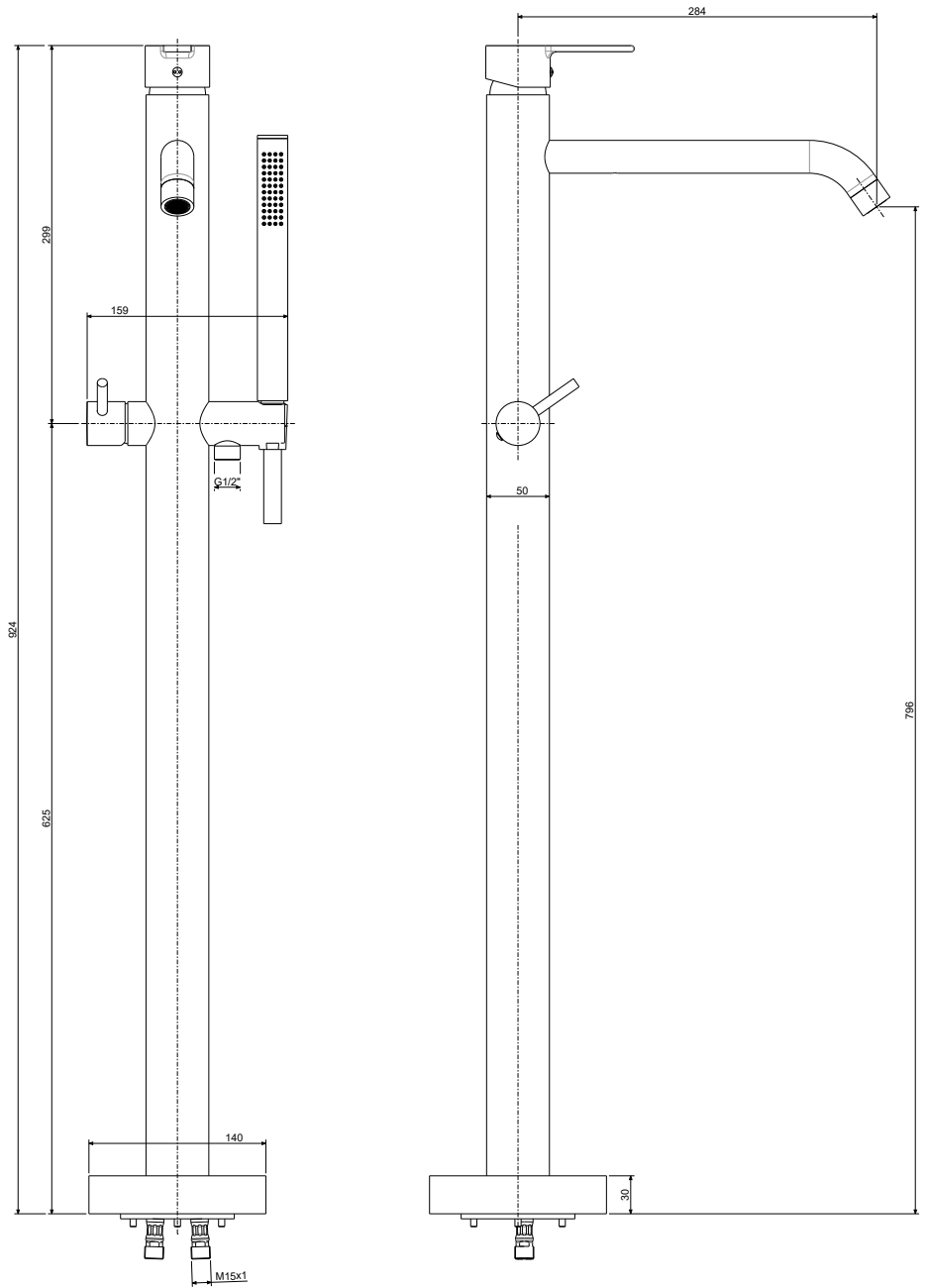


SATBSBW210

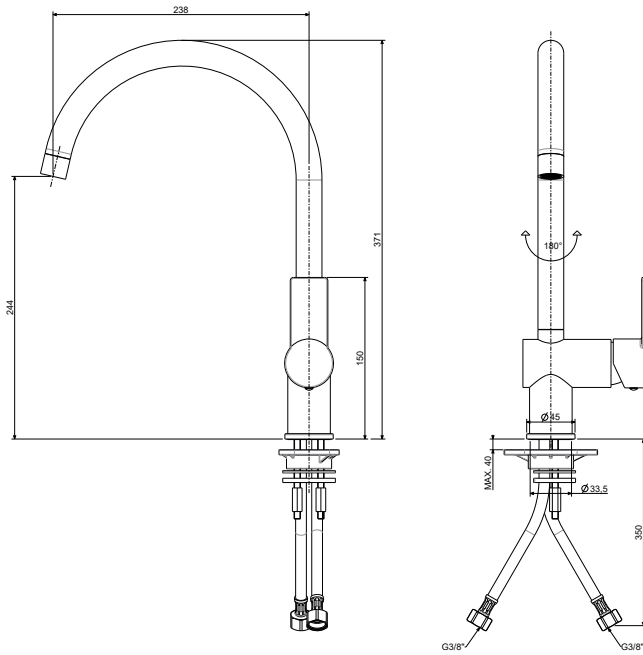


SATBSBW215

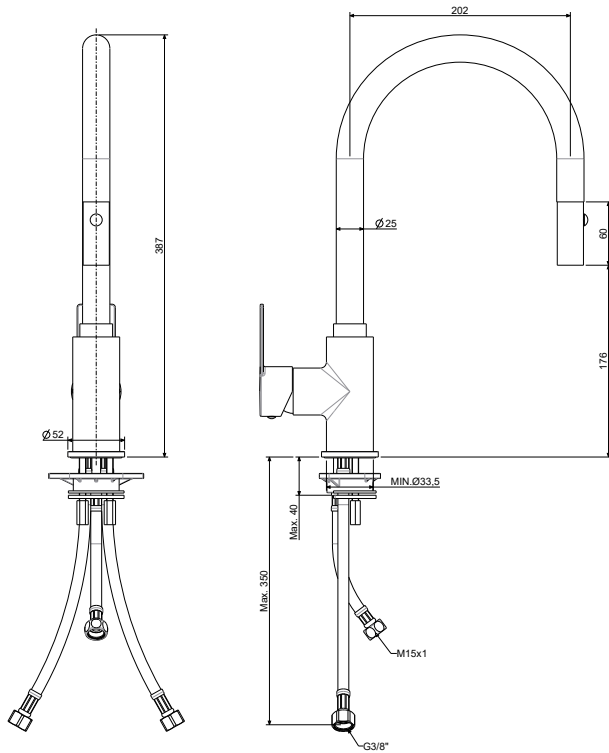


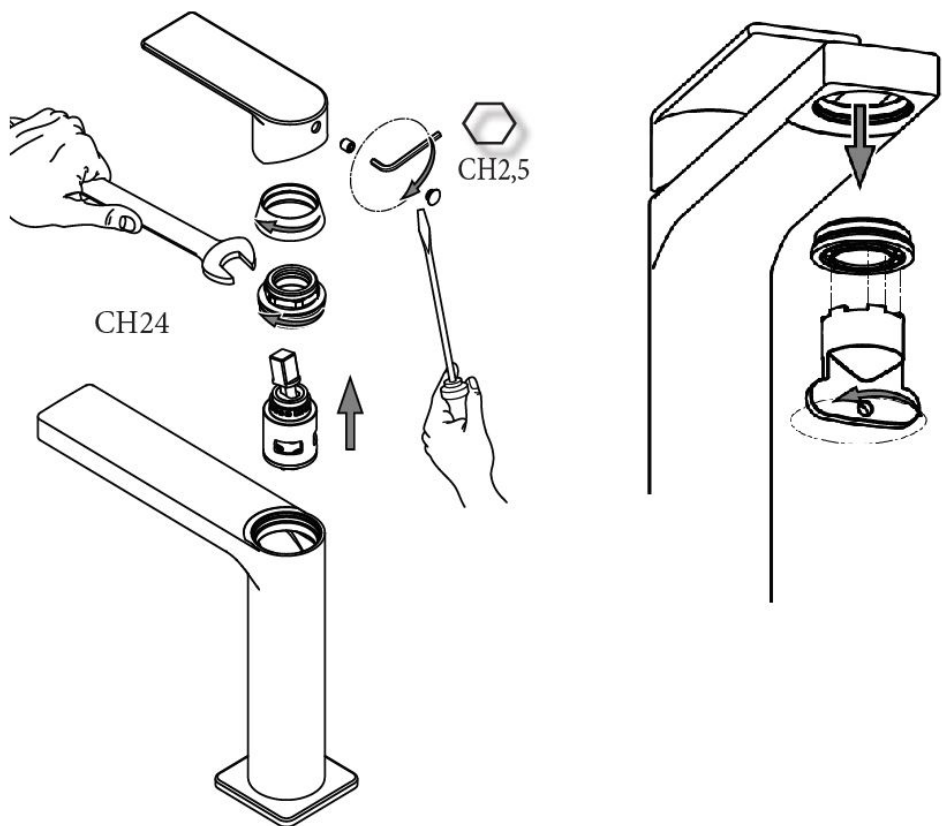


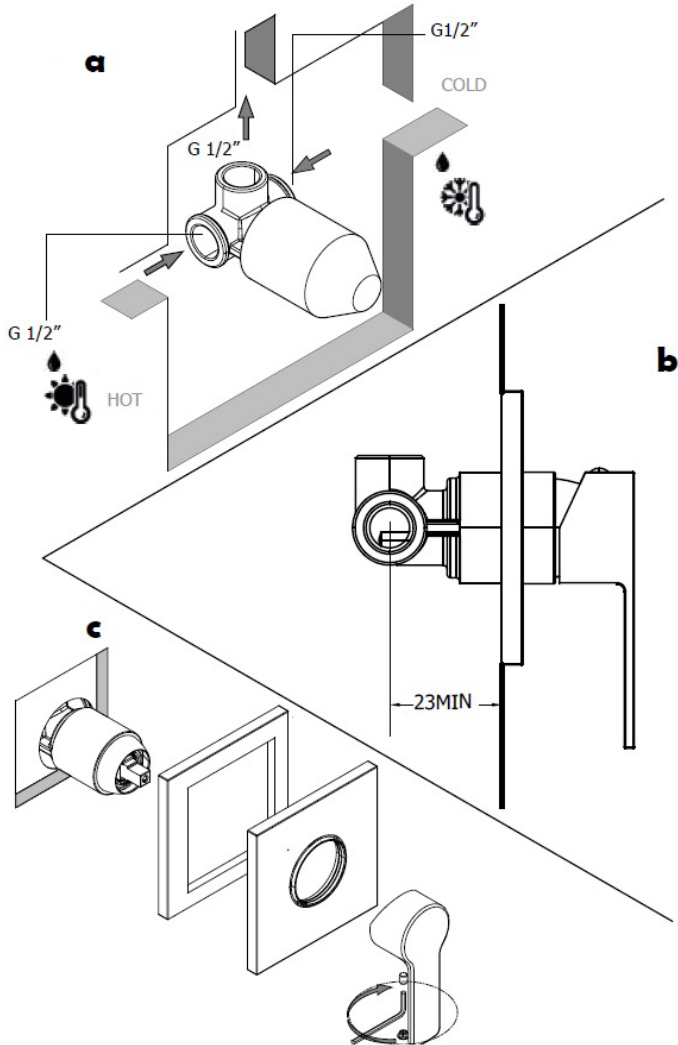
SATBSBW180

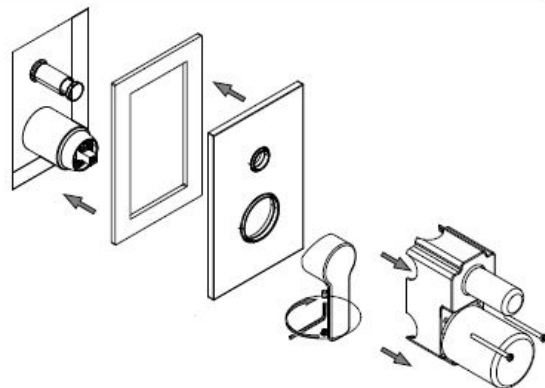
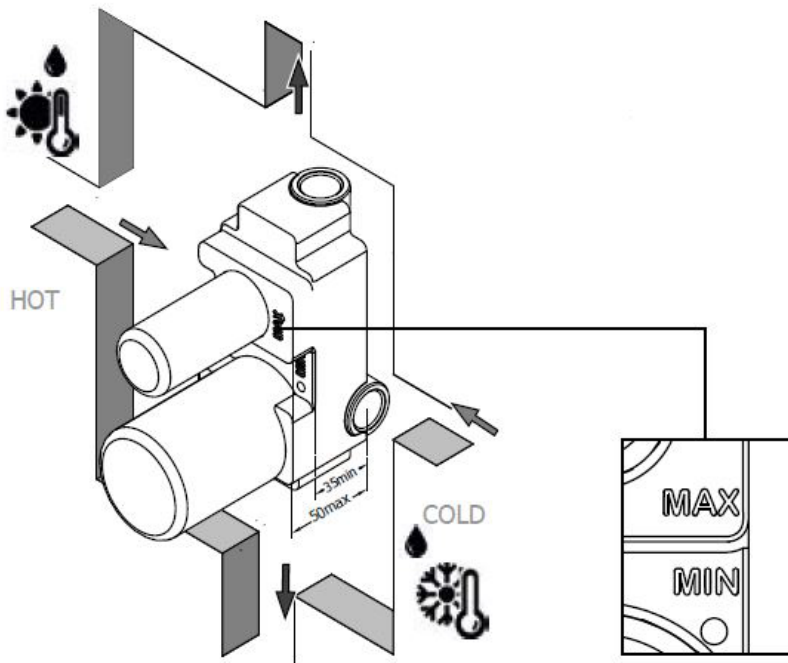


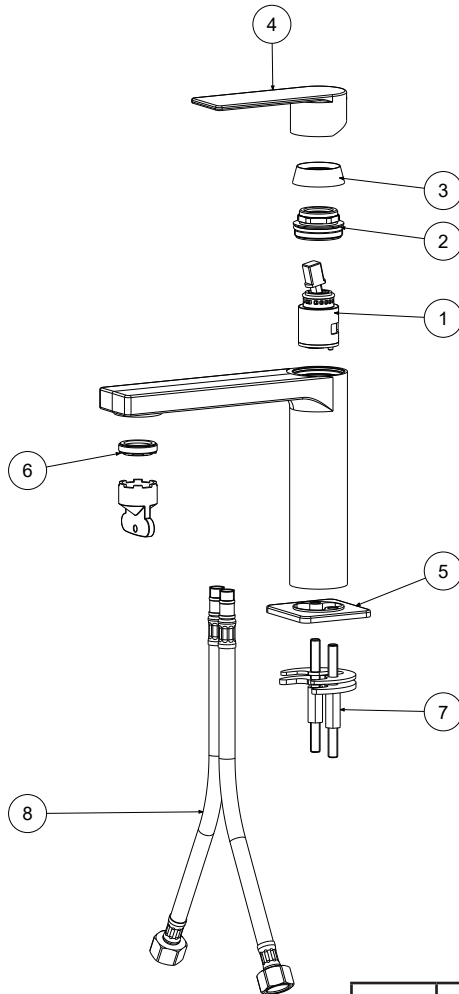
SATBSBW183



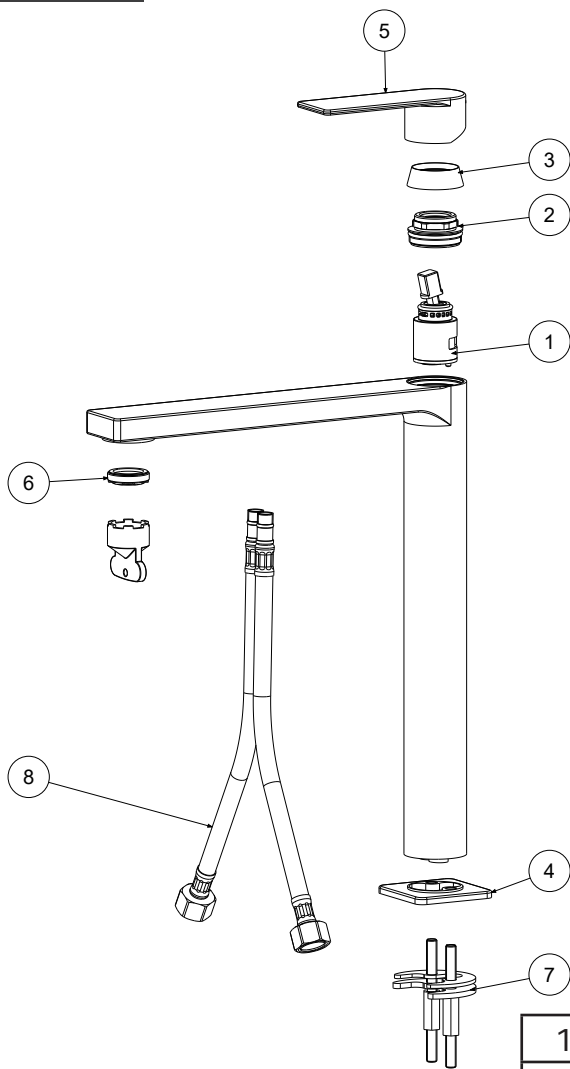




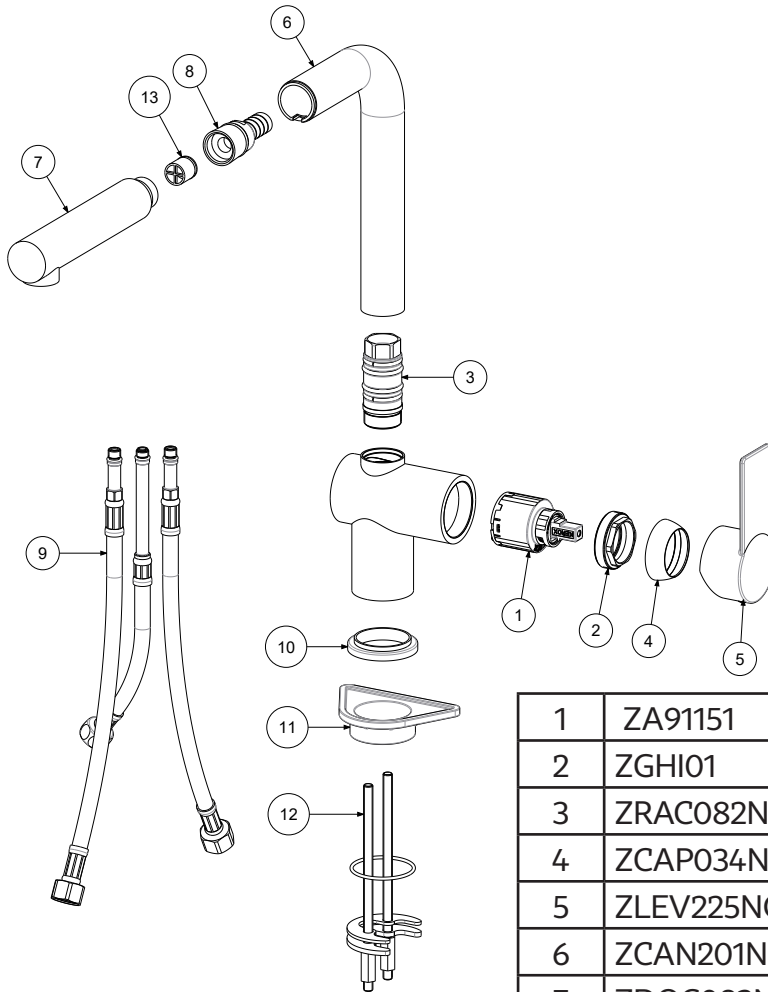




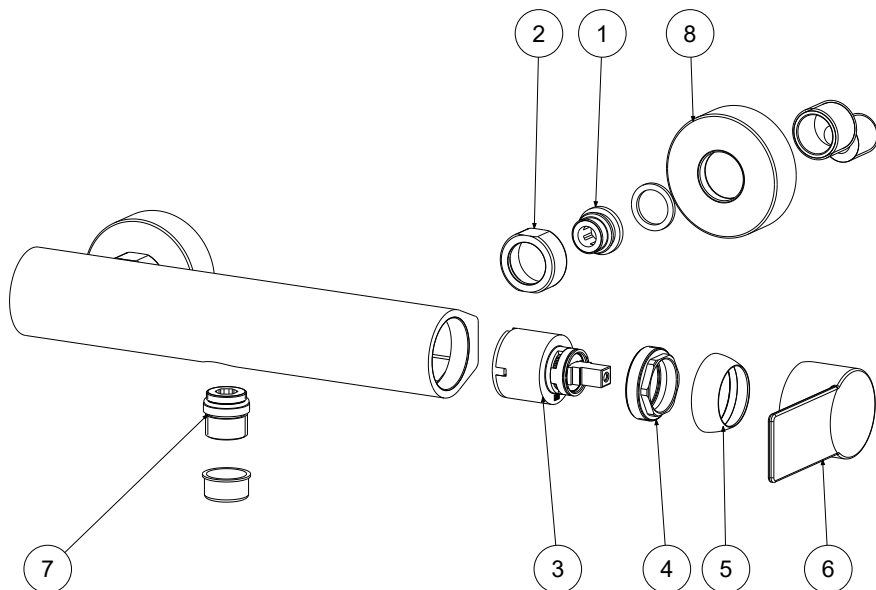
1	ZA91140
2	ZGHI011
3	ZCAP062NO
4	ZLEV180NO
5	ZBAS109NO
6	ZAER090
7	ZFIS004
8	ZFLX102



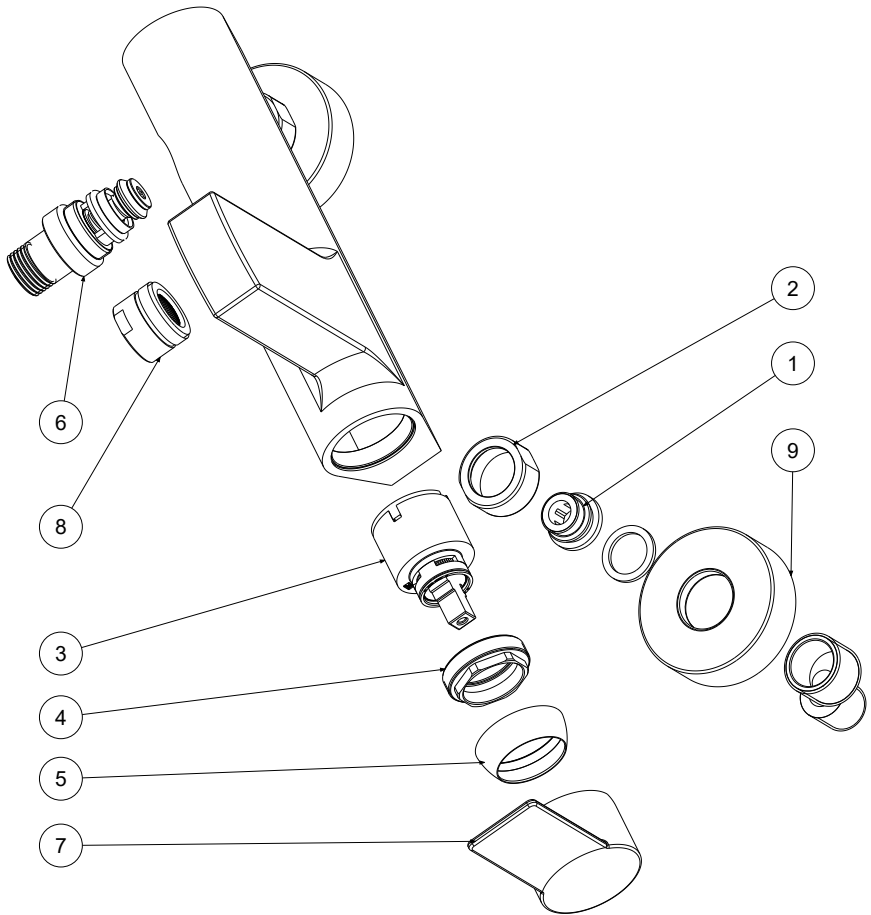
1	ZA91140
2	ZGHI011
3	ZCAP062NO
4	ZBAS109NO
5	ZLEV180NO
6	ZAER090
7	ZFIS004
8	ZFLX102



1	ZA91151
2	ZGHI01
3	ZRAC082NO
4	ZCAP034NO
5	ZLEV225NO
6	ZCAN201NO
7	ZDOC083NO
8	ZFLO063NO
9	ZFLX095NO
10	ZBAS082NO
11	ZACC258
12	ZFIS068/140
13	ZACC146

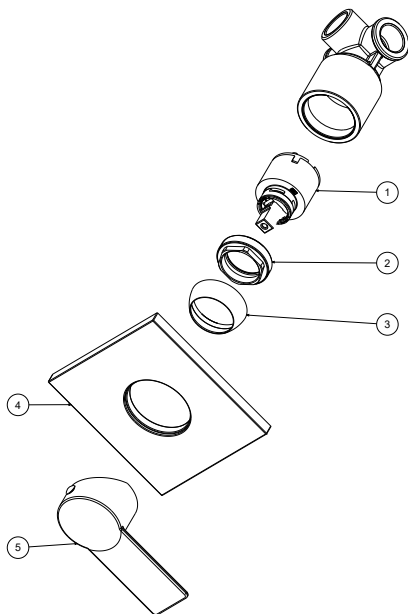


1	ZSED001NO
2	ZCAL007NO
3	ZA91104R
4	ZGHI010
5	ZCAP034NO
6	ZLEV179NO
7	ZRAC022NO
8	ZECC029NO



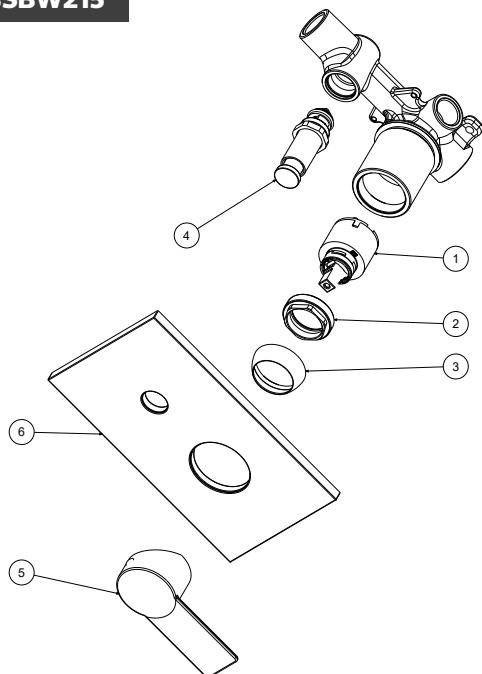
1	ZSED001NO
2	ZCAL007NO
3	ZA91104R
4	ZGHI010
5	ZCAP034NO
6	ZDEV003NO
7	ZLEV179NO
8	ZAER003NO
9	ZECC029NO

SATBSBW210



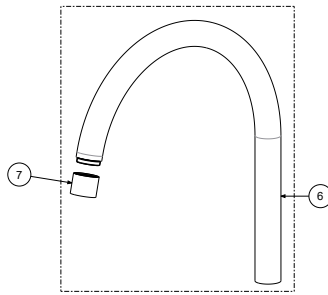
1	ZA91104R
2	ZGHI010
3	ZCAP034NO
4	ZPIA026NO
5	ZLEV179NO

SATBSBW215

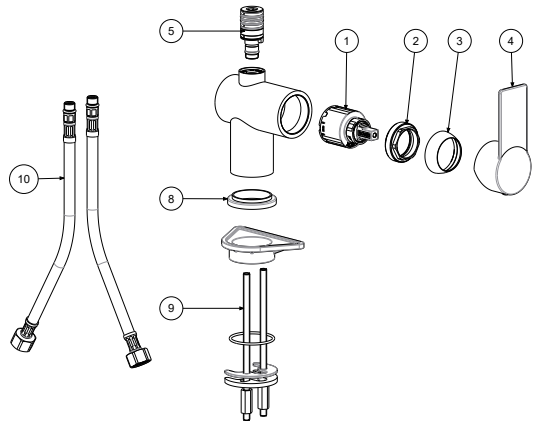


1	ZA91104R
2	ZGHI010
3	ZCAP034NO
4	ZDEV048NO
5	ZLEV179NO
6	ZPIA027NO

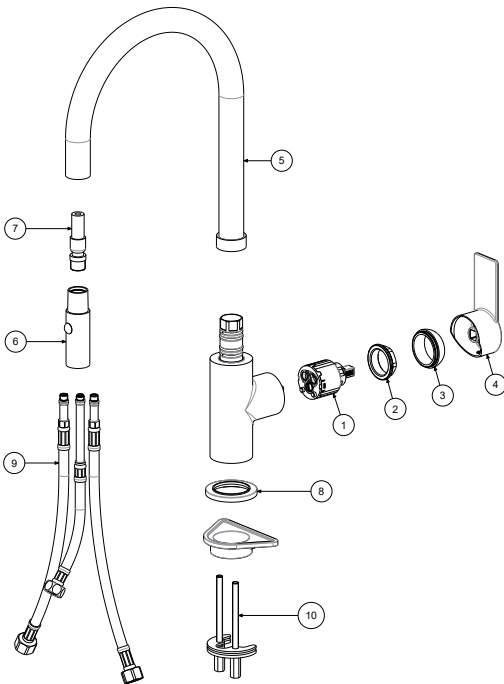
SATBSBW180



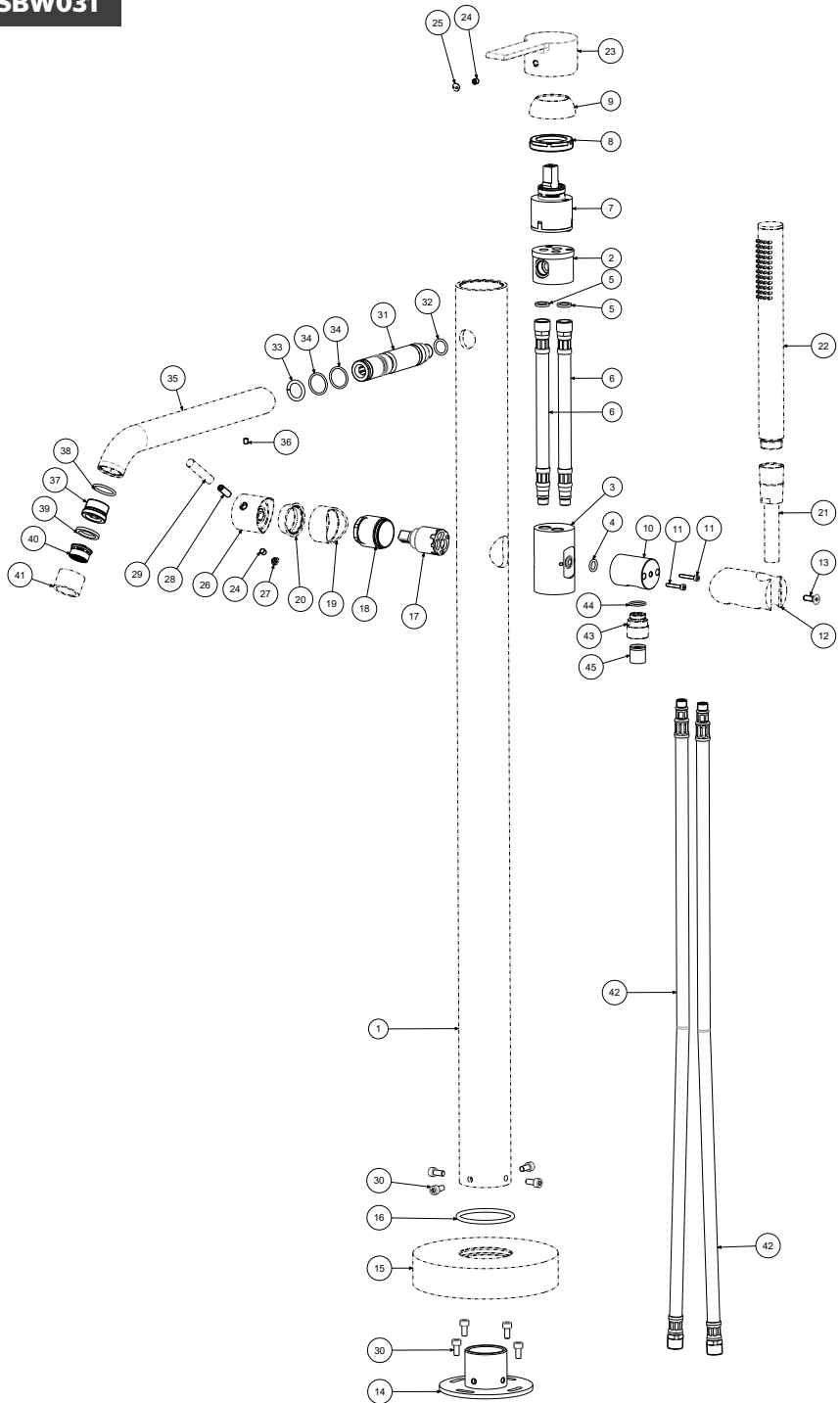
1	ZA91151
2	ZGHI010
3	ZCAP034NO
4	ZLEV225NO-SI
5	ZRAC078NO
6	ZCANA109NO
7	ZAER033NO
8	ZBAS082NO
9	ZFIS008/140



SATBSBW183

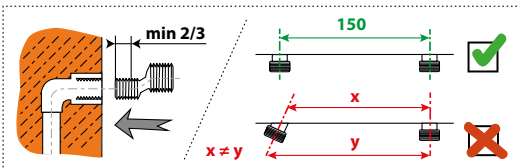
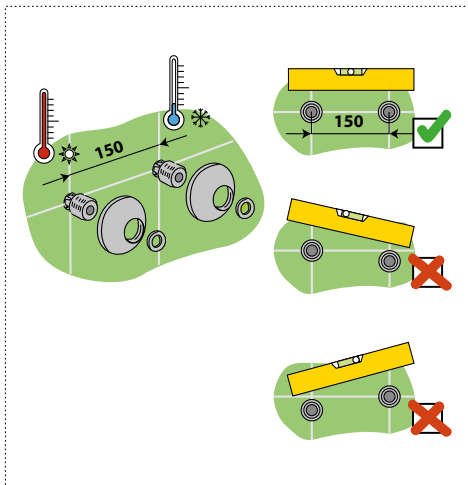
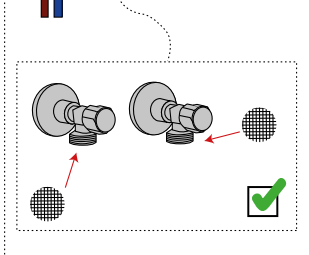
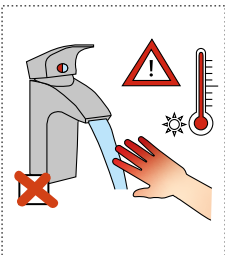
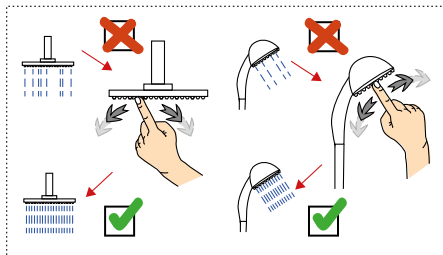
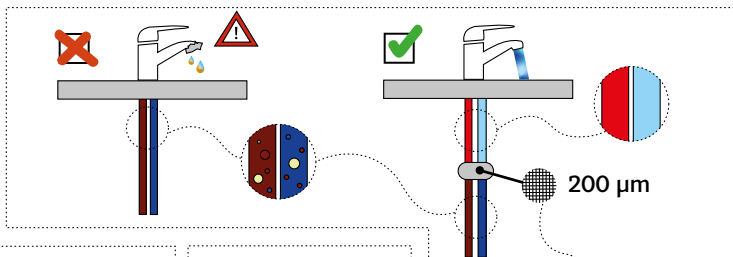
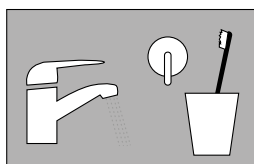
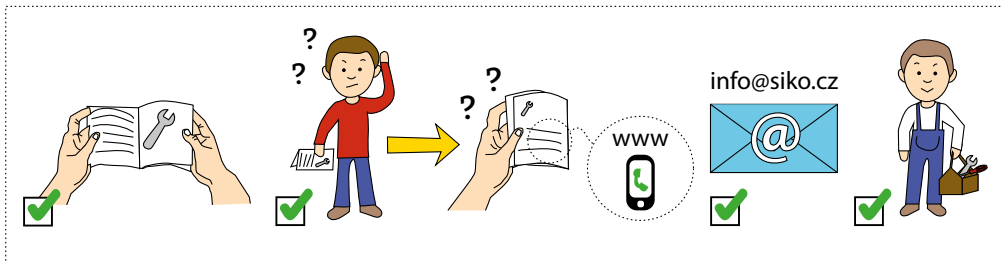


1	ZA91151
2	ZGHI003
3	ZCAP010NO
4	ZLEV225NO-SI
5	ZCAN081NO
6	ZDOC090NO
7	ZFLO065NO
8	ZBAS038NO
9	ZFLX095NO
10	ZFIS107



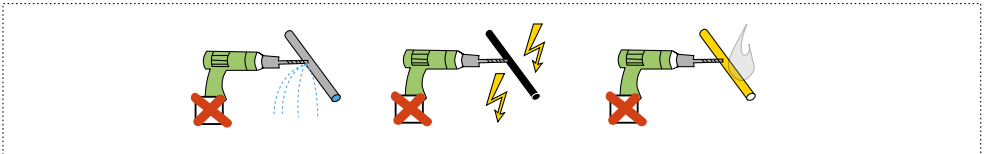
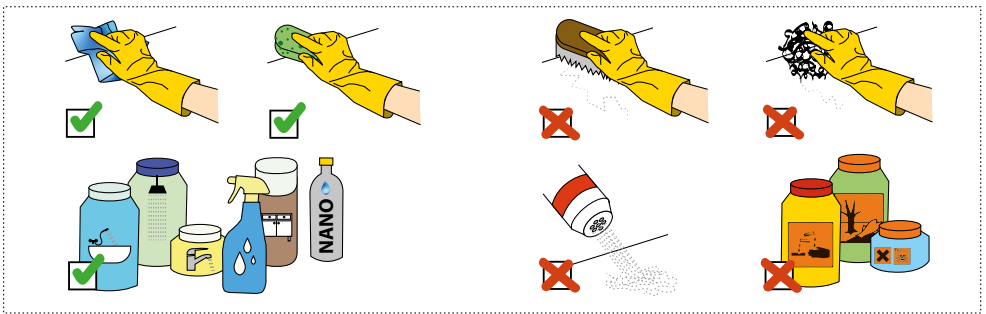
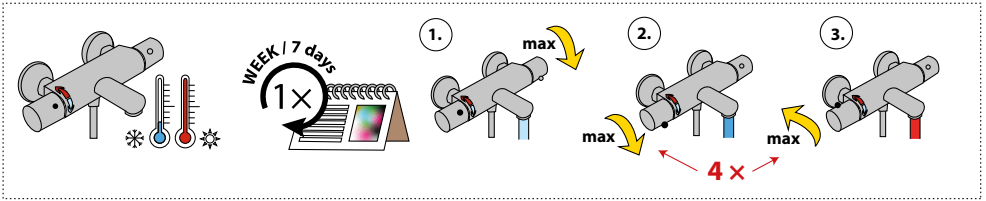
1	2042138GR	NO
2	2042165GR	GR
3	2042209GR	CR
4	2092286	
5	2091308	
6	4071890CRPX	CR
7	4071077	
8	1000102GR	GR
9	1000146GR	NO
10	2042149GR	CR
11	2051407	GR
12	2042150GR	NO
13	2042162GR	GR
14	2042153GR	CR
15	2042155GR	NO
16	2092471	
17	4071433	
18	2042145GR	CR
19	2042146GR	NO
20	2042147GR	NO
21	4071676NO-OR	NO
22	4071419CR	NO
23	4061303CR	NO
24	2051108GR	GR
25	2091105NE-RB	NE

26	2042148GR	NO
27	2091105NE	NE
28	2051272GR	CR
29	2042534GR	NO
30	2042254GR	GR
31	2042140GR	GR
32	2092145	
33	2091011_	
34	2092232	
35	2081218GR	NO
36	2042086GR	GR
37	2042361GR	GR
38	2092034	
39	2091414	
40	2091104	
41	1000176GR	NO
42	4071855CRPX	
43	2042152GR	NO
44	2092166	
45	2051022	



	P P bar	min 1,0	max 10,0	5
	T C°	max 80°	65°	40°

SATBSBW271/SATBSBW285/SATBSBW185/SATBSBW268/SATBSBW222/
 SATBSBW210/SATBSBW215/SATBSBW031/SATBSBW180/SATBSBW183

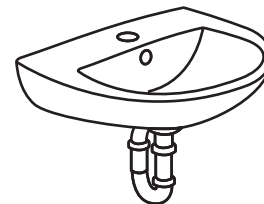


SAT® is registered trademark of



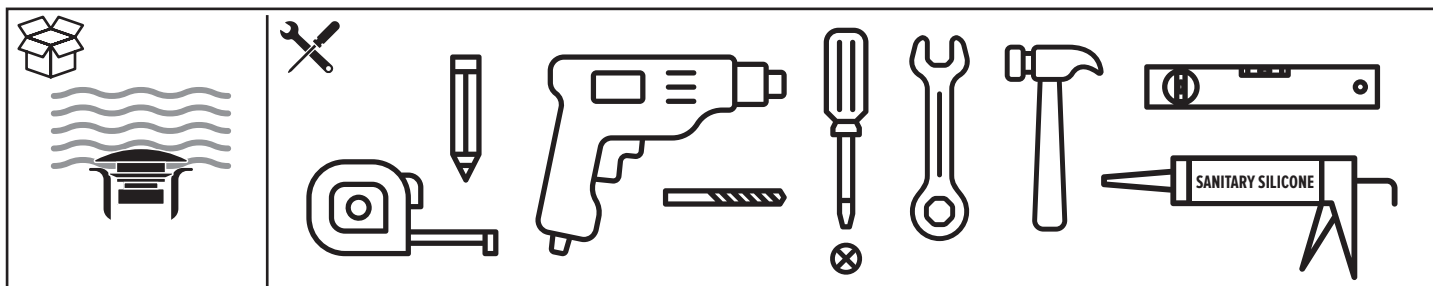
**Swiss
Aqua
Technologies**

Swiss Aqua Technologies AG
Gewerbstrasse 9, 6330 Cham, Switzerland
www.swatec.ch
Imported by SIKO KOUPELNY a.s.
Made in Italy

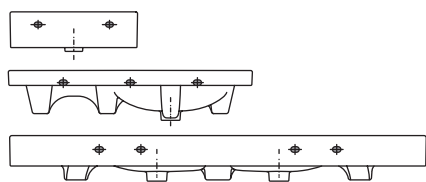


WASHBASIN INSTALLATION

DE Installation Waschtisch FR Installation lavabo IT Montaggio lavabo ES Instalación del lavabo NL Installatie wasbak CZ Instalace umyvadla SK Inštalácia umývadla LT Praustuvo įrengimas PL Instalacja umywalki HU Mosdó rögzítése RU Установка раковины BG Монтаж на умивалник DA Installation håndvask NO Installasjon vaskeservant FI Asennus, pesuallas SV Installation tvättställ HR Montaža umivaonika ET Valamulau paigaldus LV Izlietnes uzstādīšana PT Instalação de lavatório RO Instalare chiuvetă ZH 洗面盆安裝



! Use all fixing holes



DE Alle Befestigungslöcher verwenden

FR Utiliser tous les orifices de montage

IT Utilizzare tutti i fori di fissaggio

ES Utilizar todos los orificios de sujeción

NL Alle bevestigingsgaten gebruiken

CZ Použít všechny otvory pro upevnění

SK Použite všetky upevňovacie otvory

LT Naudokite visas tvirtinimui nurodytas skylės

PL Użyć wszystkich otworów mocujących

HU Mindegyik rögzítőnyílást fel kell használni

RU Использовать все крепежные отверстия

BG Подравнете всички отвори за фиксиране

DA Alle fastgørelshuller skal anvendes

NO Bruk alle festehull

FI Hyödynnä kaikki kiinnitysreiät

SV Använd alla fästhål

HR Koristite se svim pričvrtnim setovima

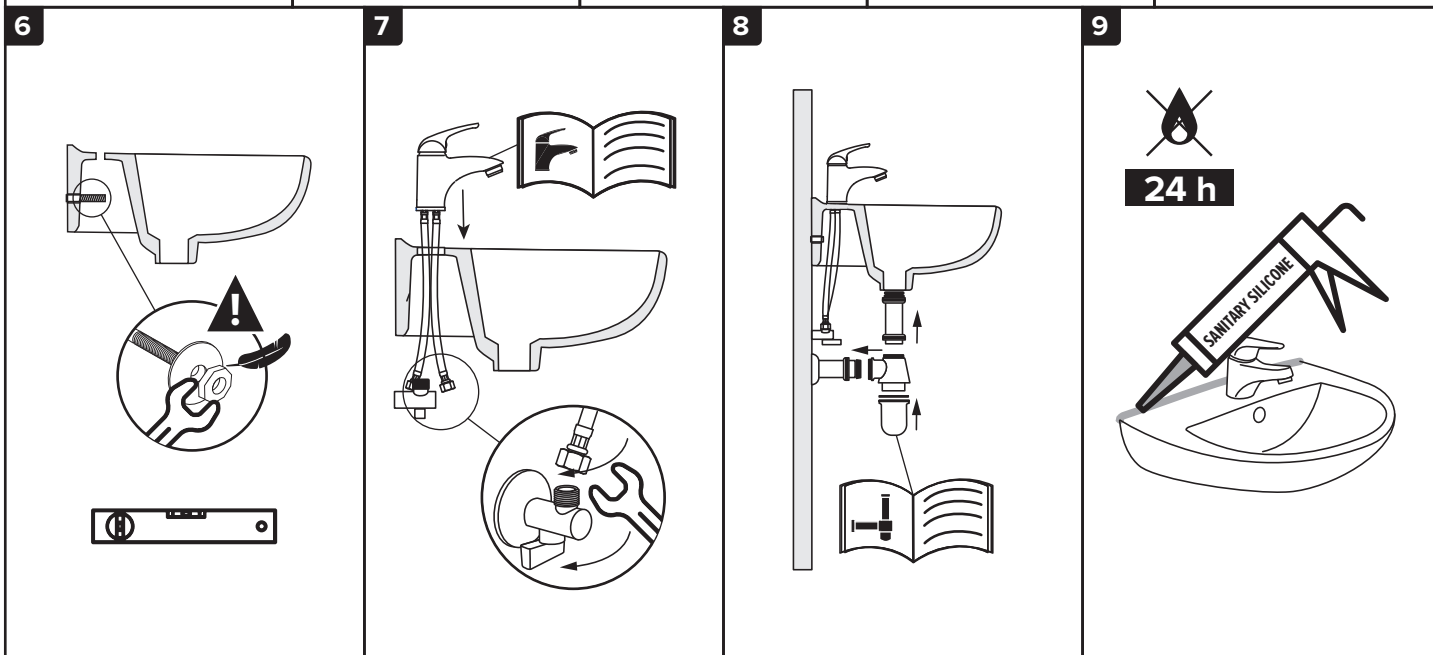
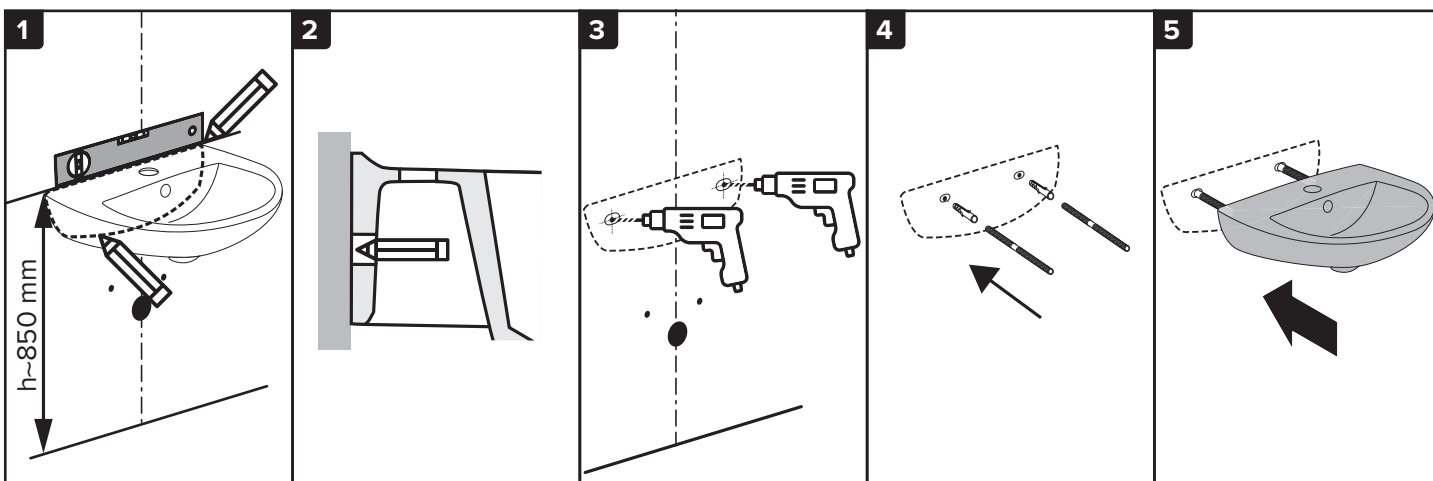
ET Kasutage kõiki kinnitusavasid

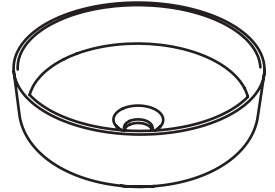
LV Izmantojiet visas nostiprināšanai paredzētās atveres

PT Utilizar todos os furos de montagem

RO A se utiliza toate găurile de fixare

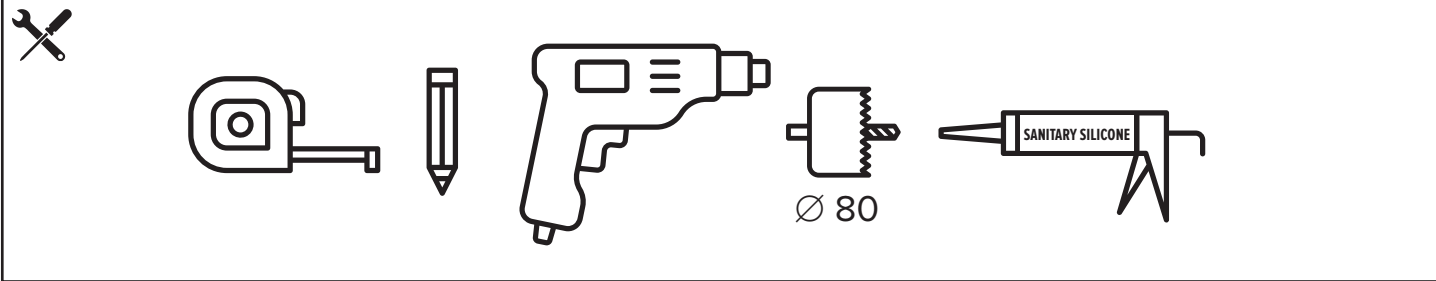
ZH 使用所有安装孔





WASHBASIN INSTALLATION

DE Installation Waschtisch FR Installation lavabo IT Montaggio lavabo ES Instalación del lavabo NL Installatie wasbak CZ Instalace umyvadla SK Inštalácia umývadla LT Praustuvo įrengimas PL Instalacja umywalki HU Mosdó rögzítése RU Установка раковины BG Монтаж на умивалник DA Installation håndvask NO Installasjon vaskeservant FI Asennus, pesuallas SV Installation tvättställ HR Montaža umivaonika ET Valamulau paigaldus LV Izlietnes uzstādīšana PT Instalação de lavatório RO Instalare chiuvetă ZH 洗面盆安裝



Tools required: screwdriver, measuring tape, pencil, power drill, hole saw (Ø 80), and sanitary silicone.

1 Place the washbasin on the countertop. **2** Mark the center of the basin with a pencil. **3** Drill a hole with a hole saw (min Ø 80 mm).

4 Apply sanitary silicone to the hole. **5** Apply sanitary silicone to the rim of the basin. **6** Push the basin into the countertop. Wait 24 hours for curing.

⚠ Do not force the basin into the countertop. Do not use heat to install the basin. **CLICK/CLACK**