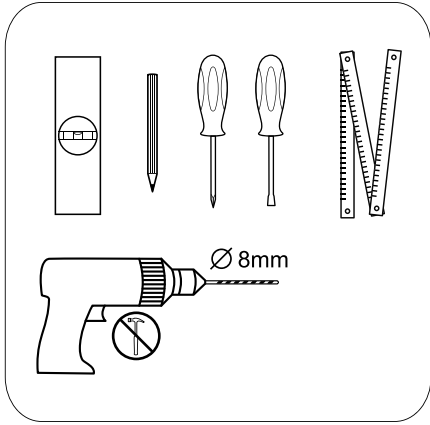


① 2x



② 4x

