













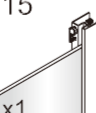



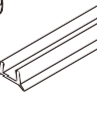


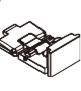
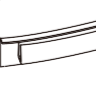









1 x8 	2 x2 	3 x6 ST4x40 	4 x4 ST4x30 	5 x1 	6 x1 	7 x1 	8 x2 	9 x2 	10 x4 
11 x1 	12 x1 	13 1set 	14 x1 	15 x1 	16 x1 	17 x1 	18 x2 	19 x2 	20 x1 
21 x2 ST4x30 	22 x2 	23 x1 	24 x1 	25 x1 	26 x1 	27 x2 	28 x1 2mm 3mm 	29 x3 	30 x2 



5		NDSATTEXDBBCR33
6		NDSATTEXDBBCR10
7	80	NDSATTEXSBBCR780
	90	NDSATTEXSBBCR790
	100	NDSATTEXSBBCR7100
8		NDSATTEXBBCR15
9		NDSATTEXSBBCR9
10		NDSATTEXSBB10
11	80	NDSATTEXSBB1180
	90	NDSATTEXSBB1190100
	100	NDSATTEXSBB1190100
12	80	NDSATTEXSBBCR1280
	90	NDSATTEXSBBCR1290
	100	NDSATTEXSBBCR12100
13		NDSATTEXQBBCR13
14	80	NDSATTEXSBB1480
	90	NDSATTEXSBB1490100
	100	NDSATTEXSBB1490100
15	80	NDSATTEXSBBCR1580
	90	NDSATTEXSBBCR1590
	100	NDSATTEXSBBCR15100
16		NDSATTEXDBBCR18
17		NDSATTEXDBBCR20
18		NDSATTEXDBBCR22
19	80	NDSATTEXSBBCR1980
	90	NDSATTEXSBBCR1990
	100	NDSATTEXSBBCR19100
20,21,22,26		NDSATTEXSBBCR26
23,25	80	NDSATTEXSBBCR82325
	90	NDSATTEXSBBCR92325
	100	NDSATTEXSBBCR92325
24	80	NDSATTEXSBBCR8024
	90	NDSATTEXSBBCR90124
	100	NDSATTEXSBBCR90124
29		NDSIKOWIXM19