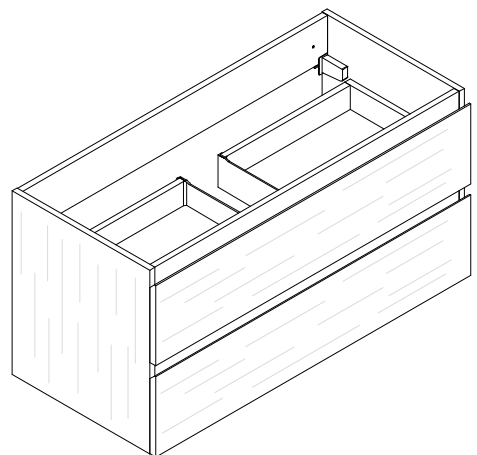
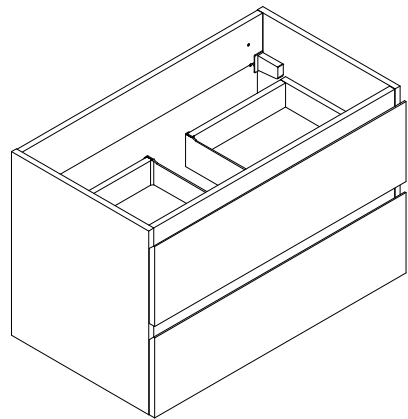
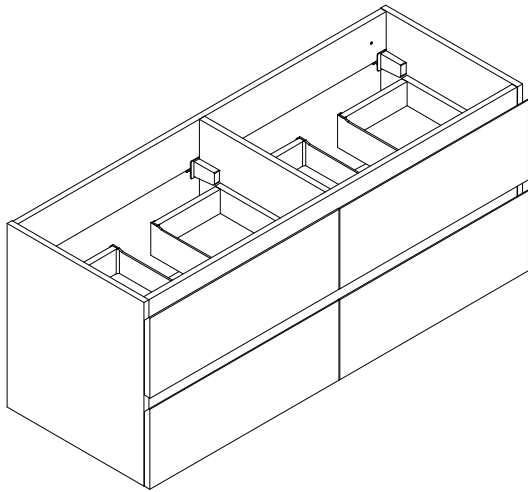
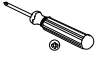
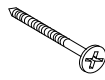




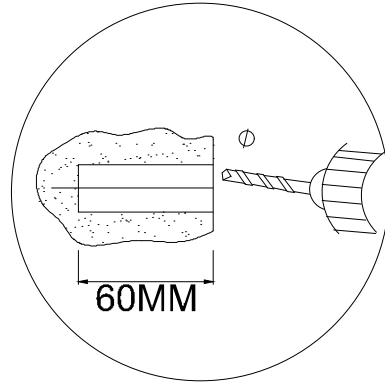
**BWAY260W**  
**BWAY260OAK**  
**BWAY280W**  
**BWAY280OAK**  
**BWAY2100W**  
**BWAY2100OAK**  
**BWAY2120W**  
**BWAY2120OAK**



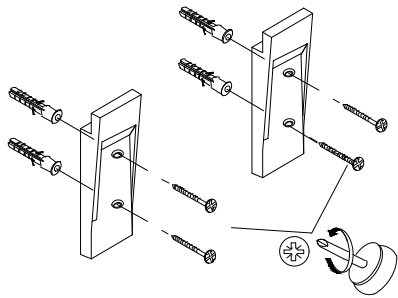
1



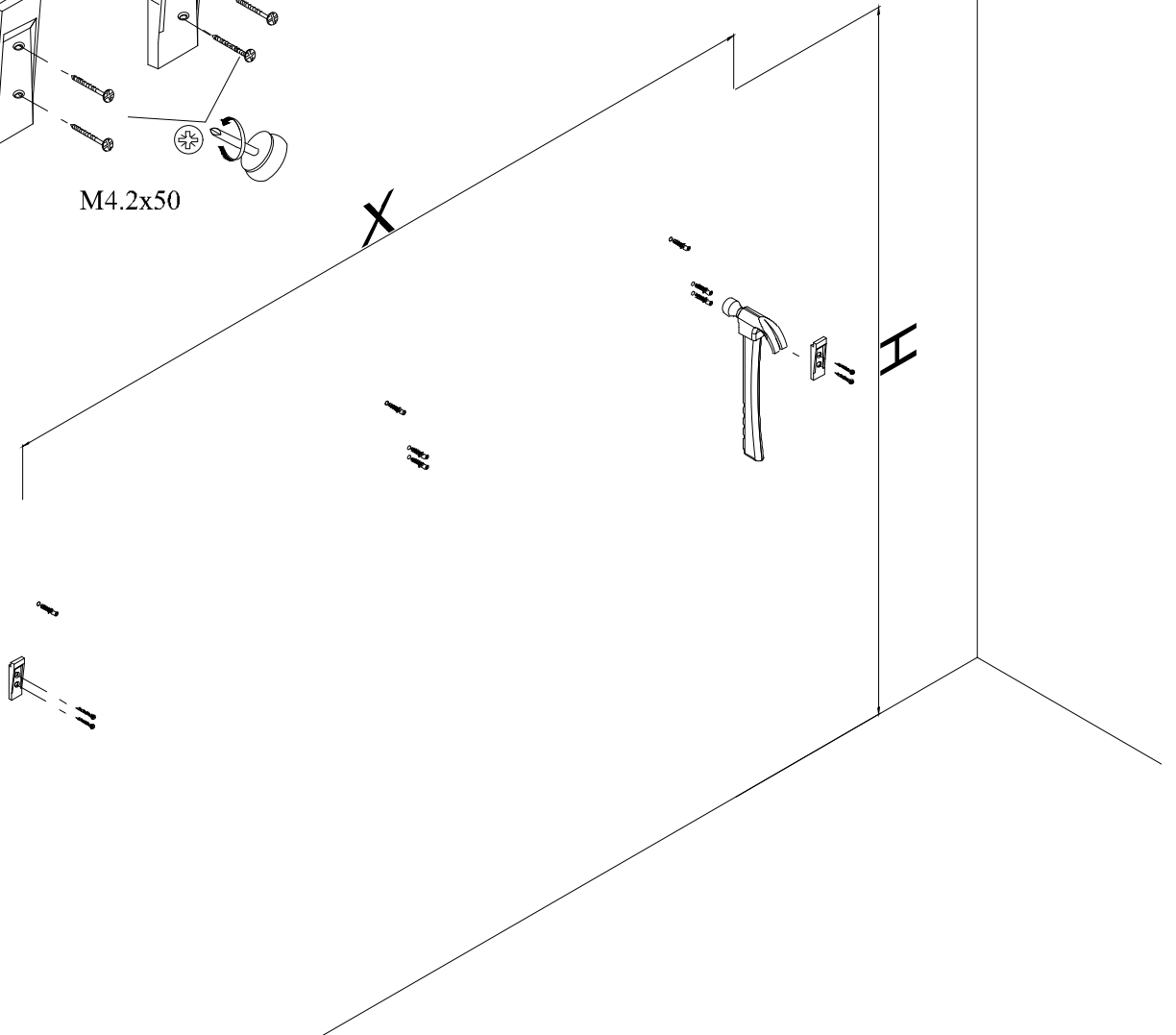
20mm

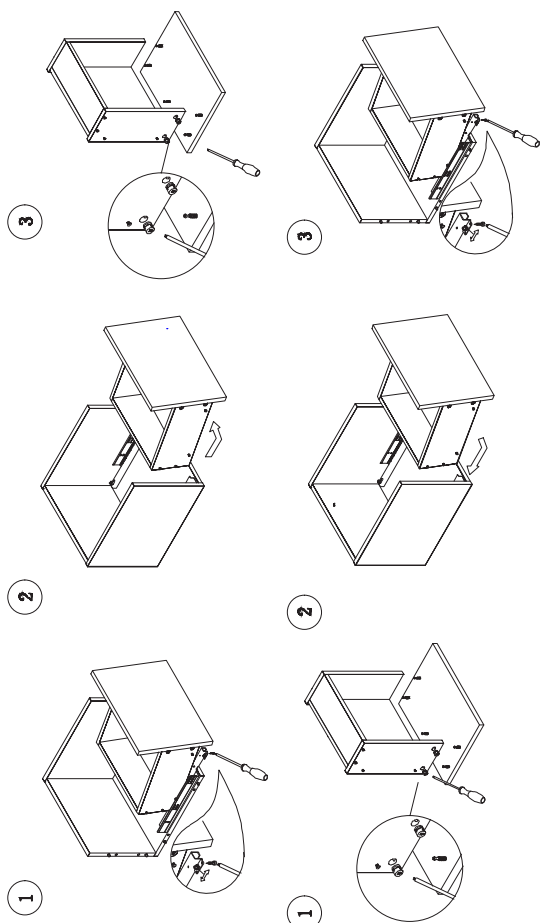
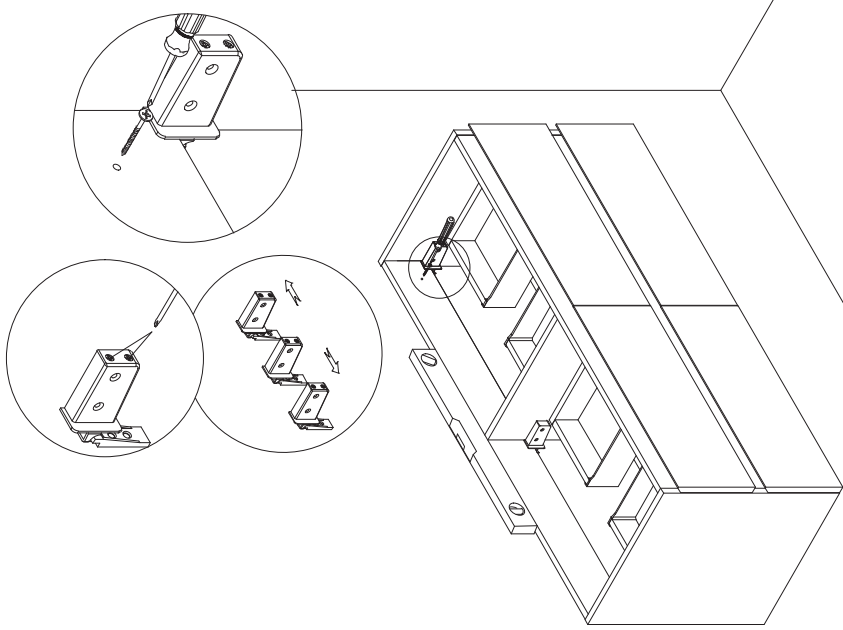


60MM



M4.2x50





3

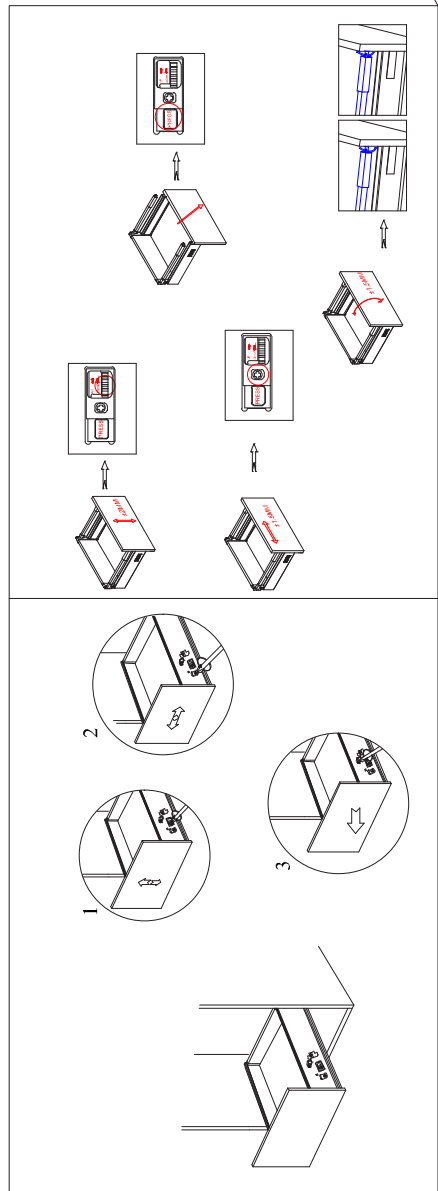
3

2

2

1

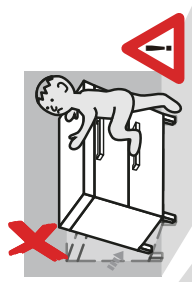
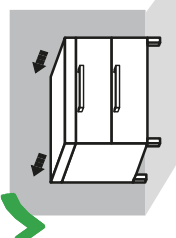
1



1

2

3

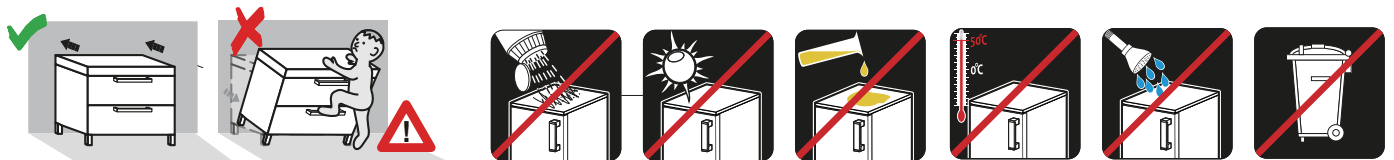
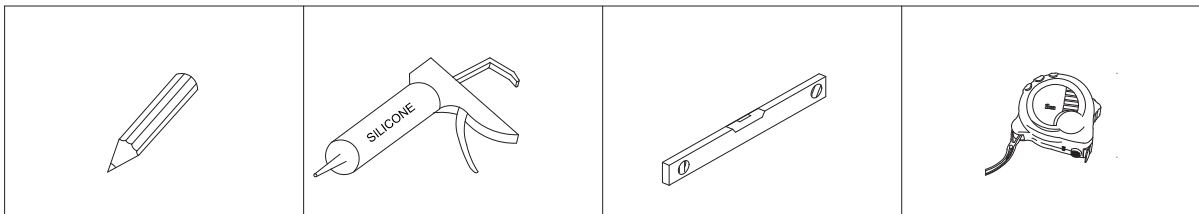
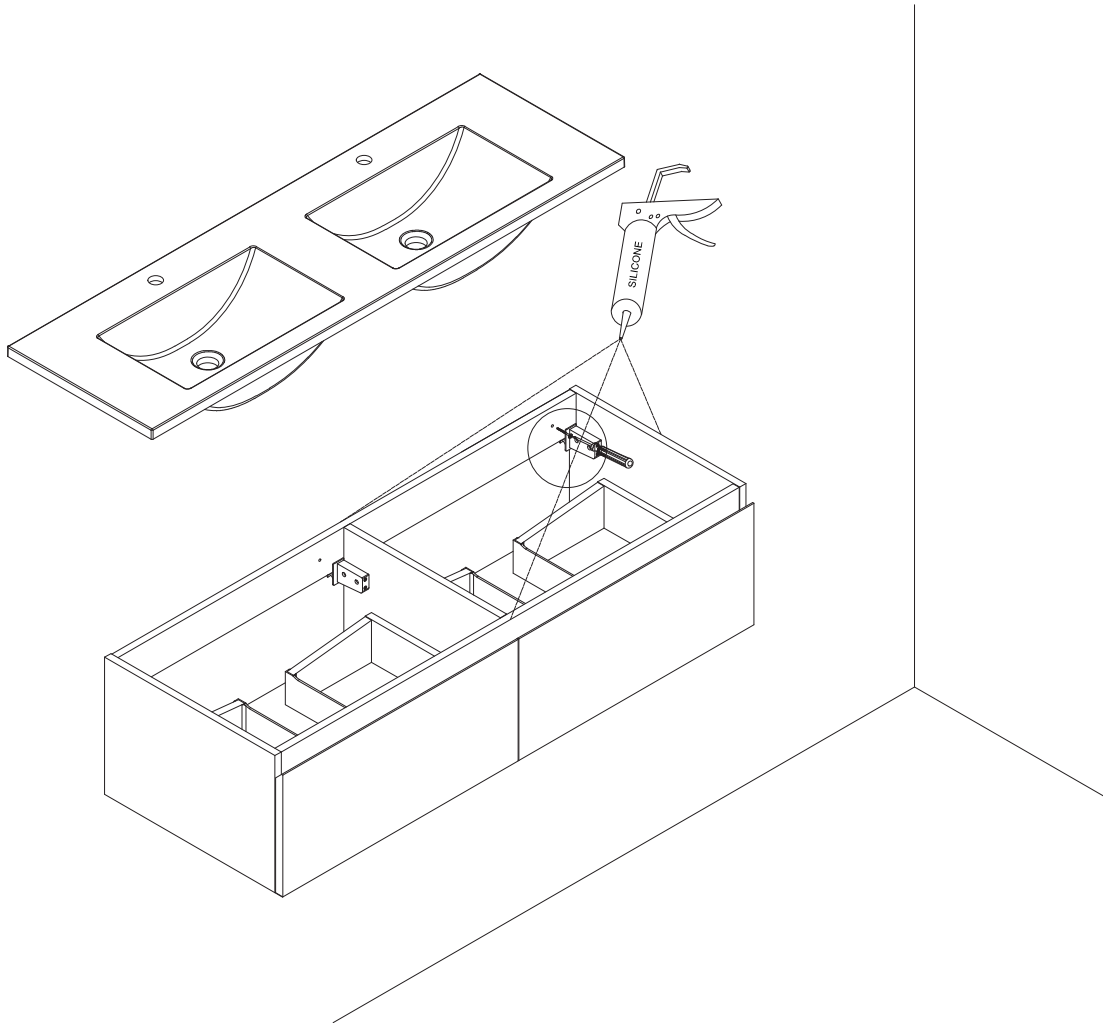


SAT® is registered trademark of



**Swiss  
Aqua  
Technologies**

**Swiss Aqua Technologies AG**  
Gewerbstrasse 9, 6330 Cham, Switzerland  
[www.swatec.ch](http://www.swatec.ch)  
Imported by SIKO KOUPELNY a.s.  
Made in P.R.C.



SAT® is registered trademark of

