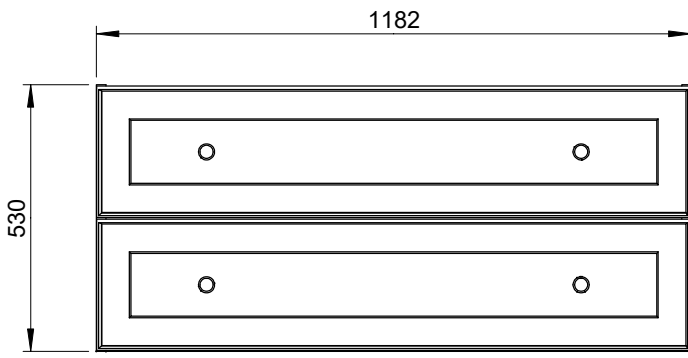


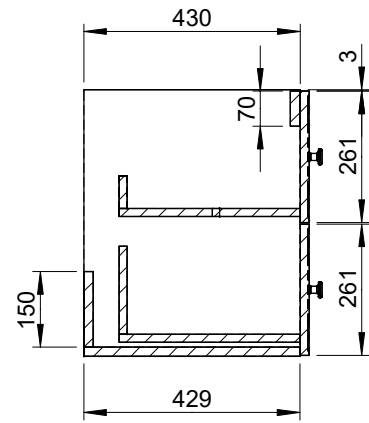
A



B

B

B - B



C

