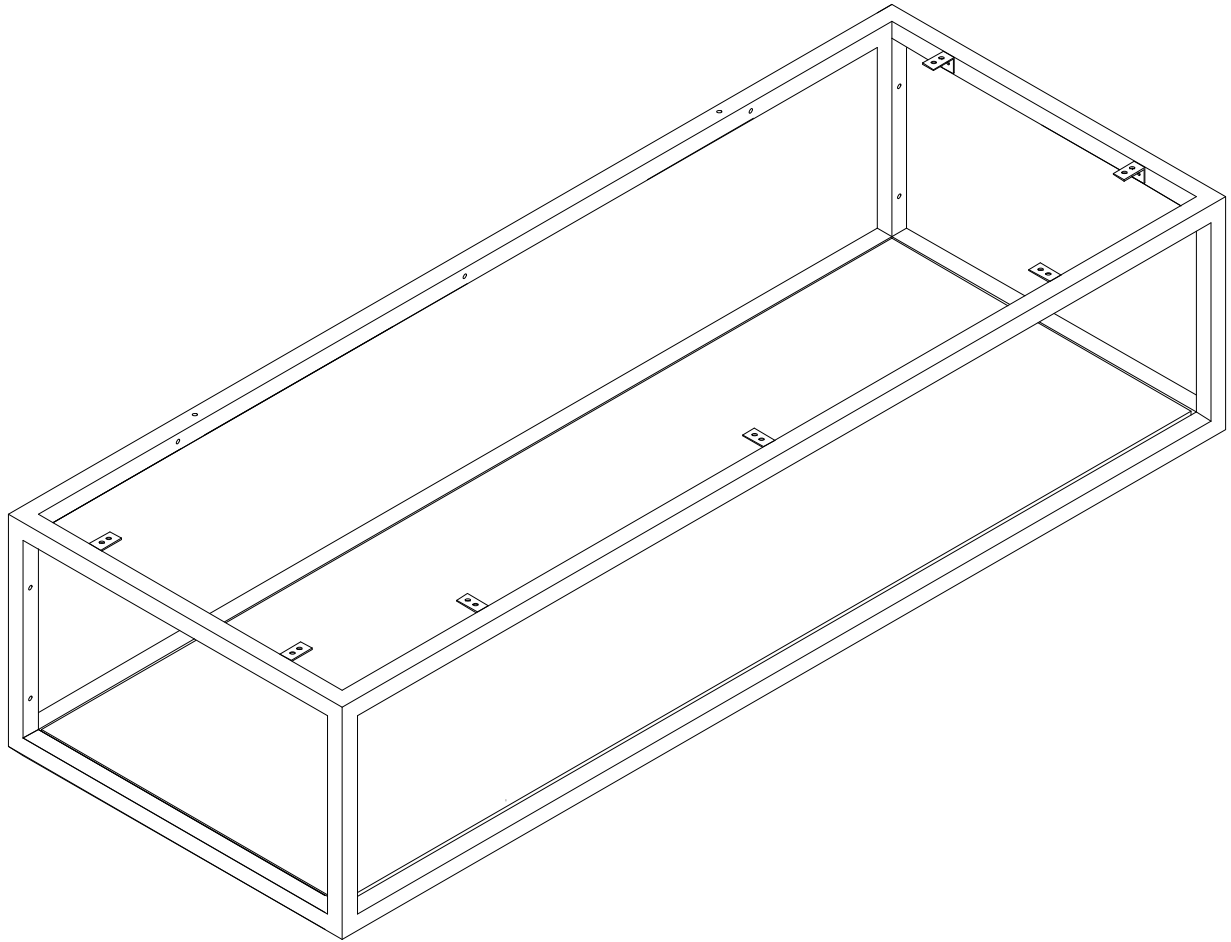


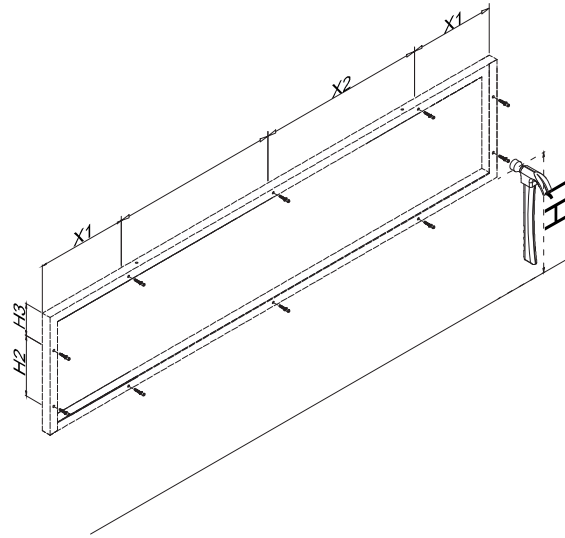
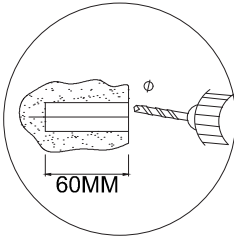
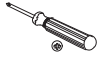


SAT

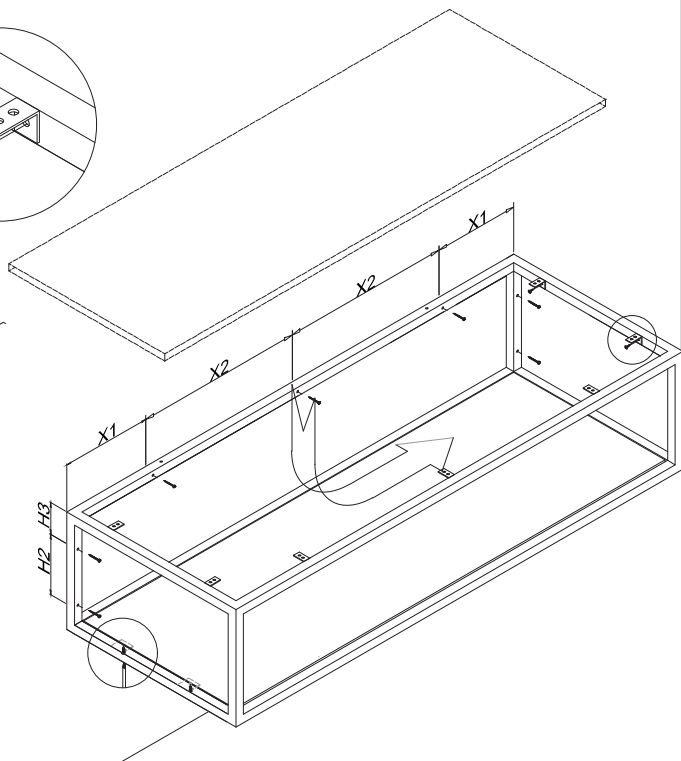
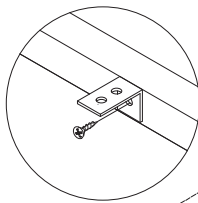
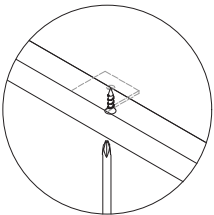
BWAY60FRAME
BWAY80FRAME
BWAY100FRAME
BWAY120FRAME



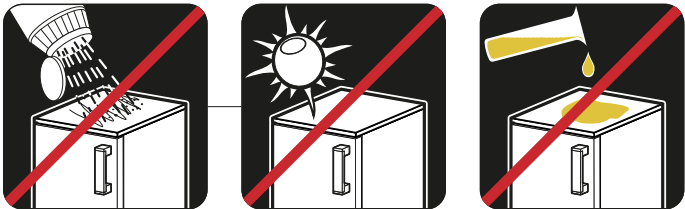
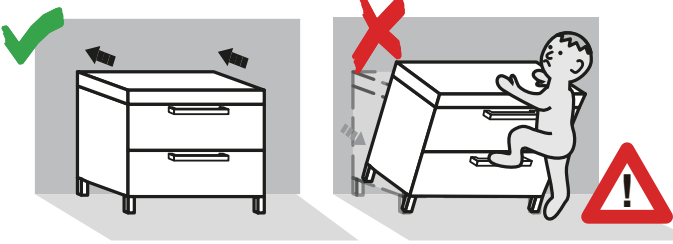
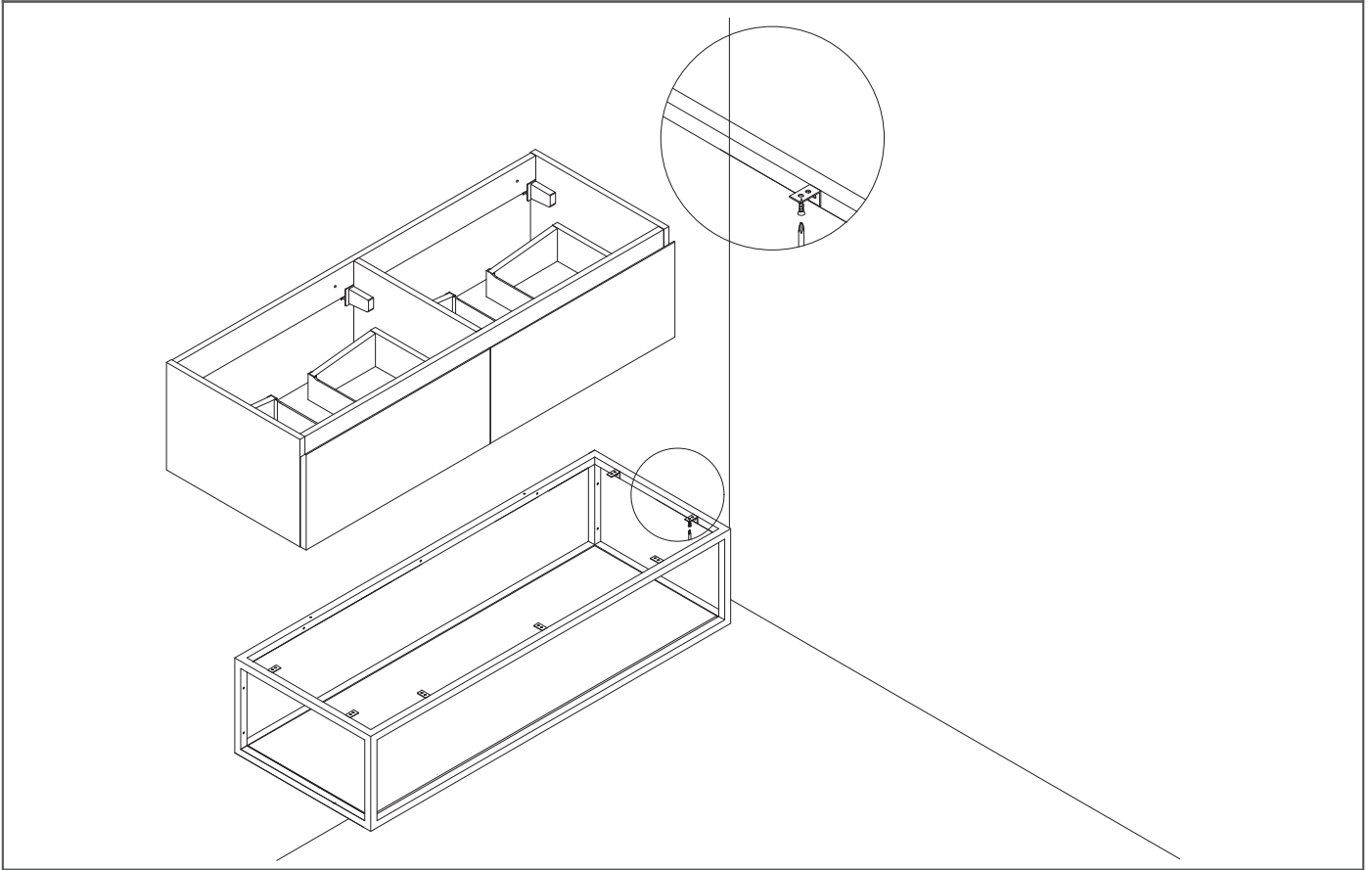
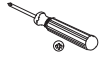
1



2



3



SAT® is registered trademark of



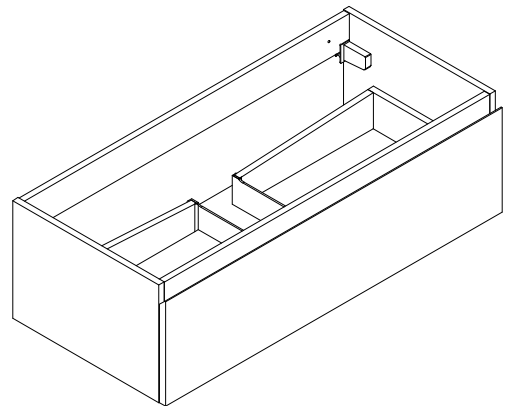
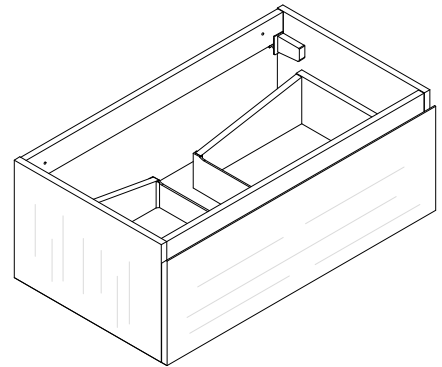
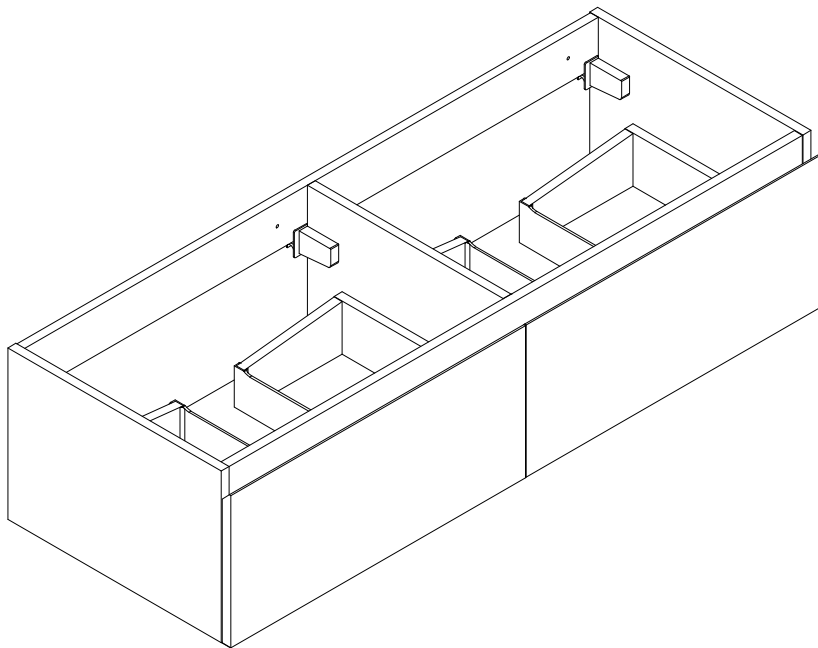
**Swiss
Aqua
Technologies**

Swiss Aqua Technologies AG
Gewerbstrasse 9, 6330 Cham, Switzerland
www.swatec.ch
Imported by SIKO KOUPELNY a.s.
Made in P.R.C.

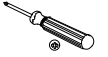
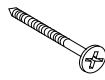


SAT

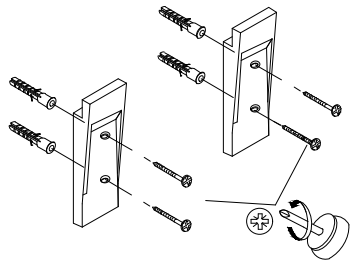
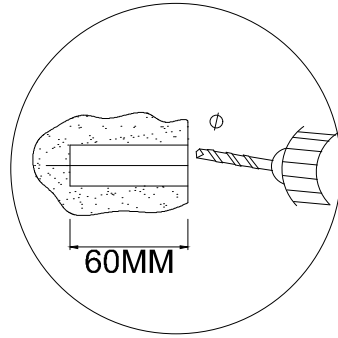
BWAY60W
BWAY600AK
BWAY80W
BWAY800AK
BWAY100W
BWAY1000AK
BWAY120W
BWAY1200AK



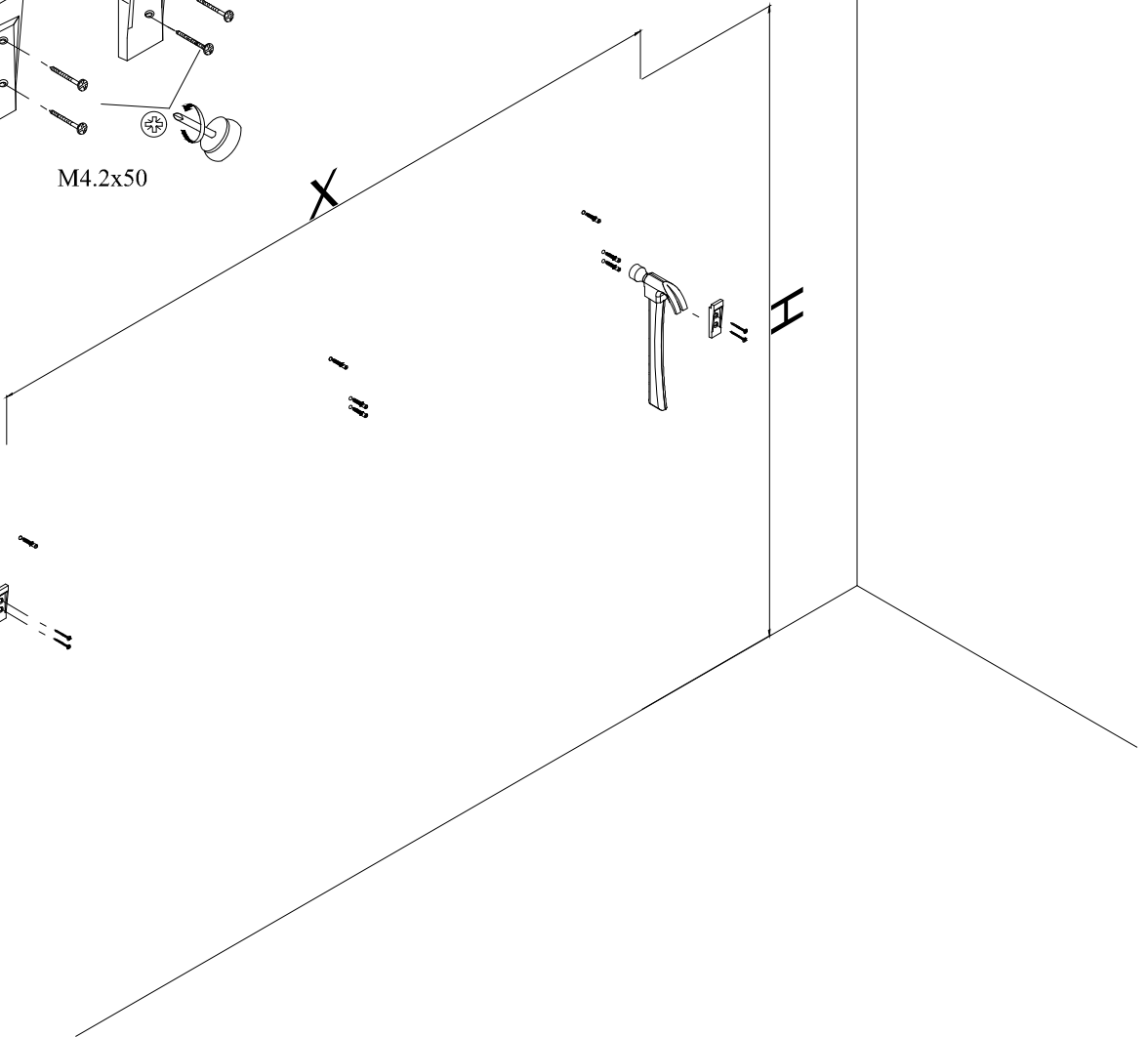
1

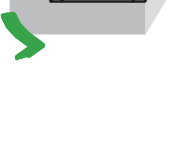
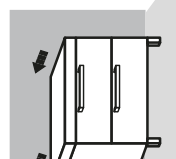
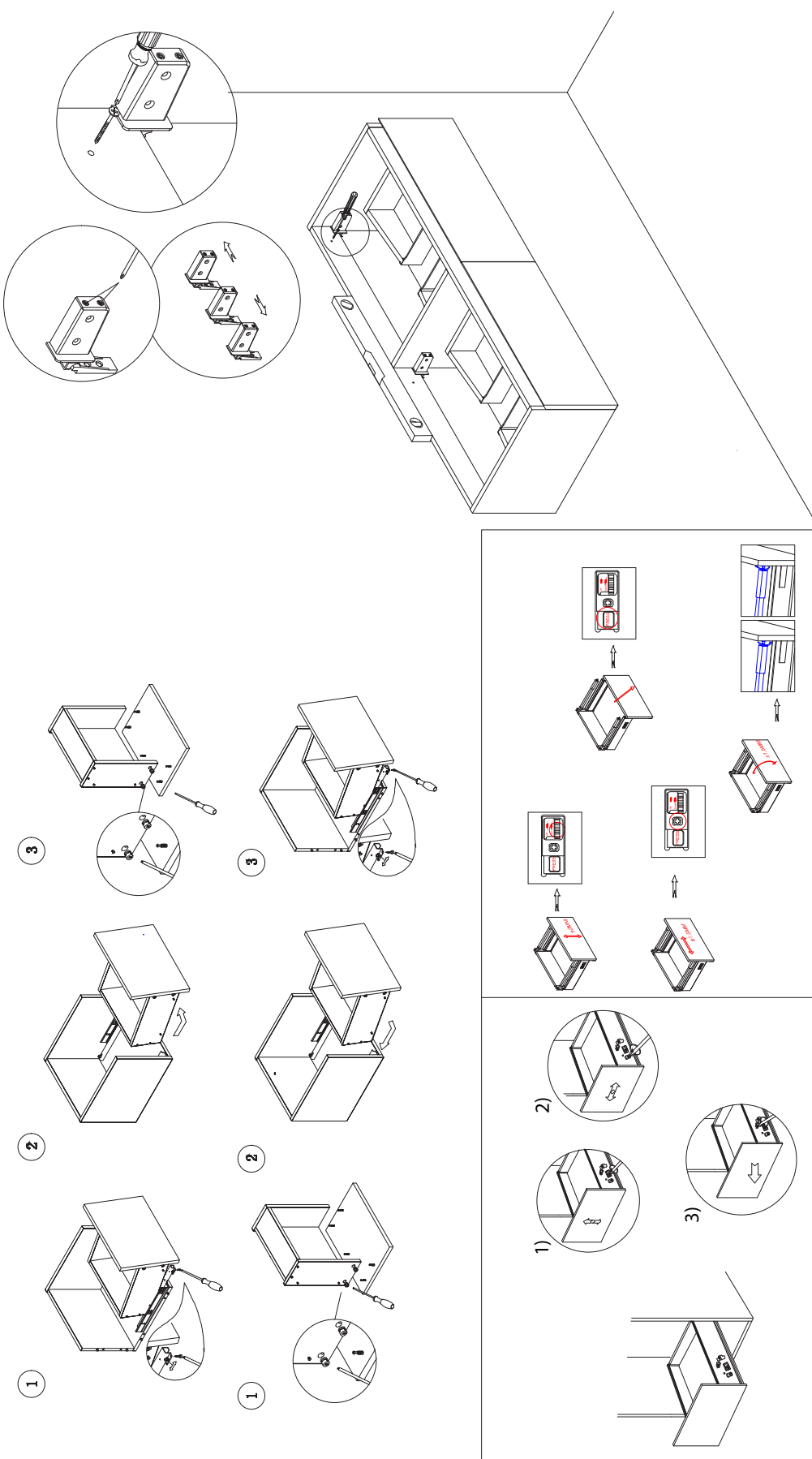


20mm



M4.2x50



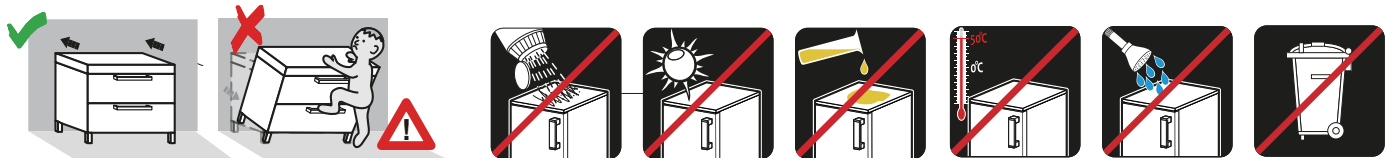
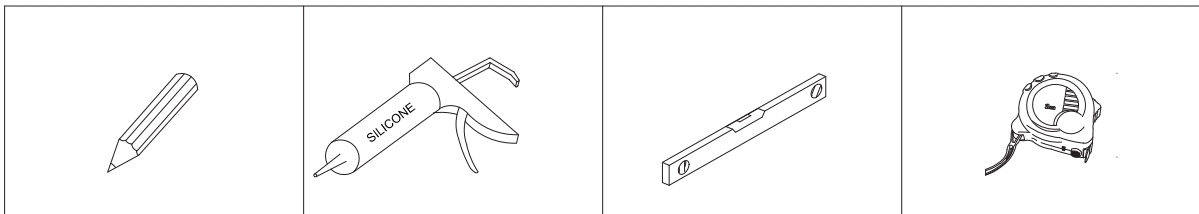
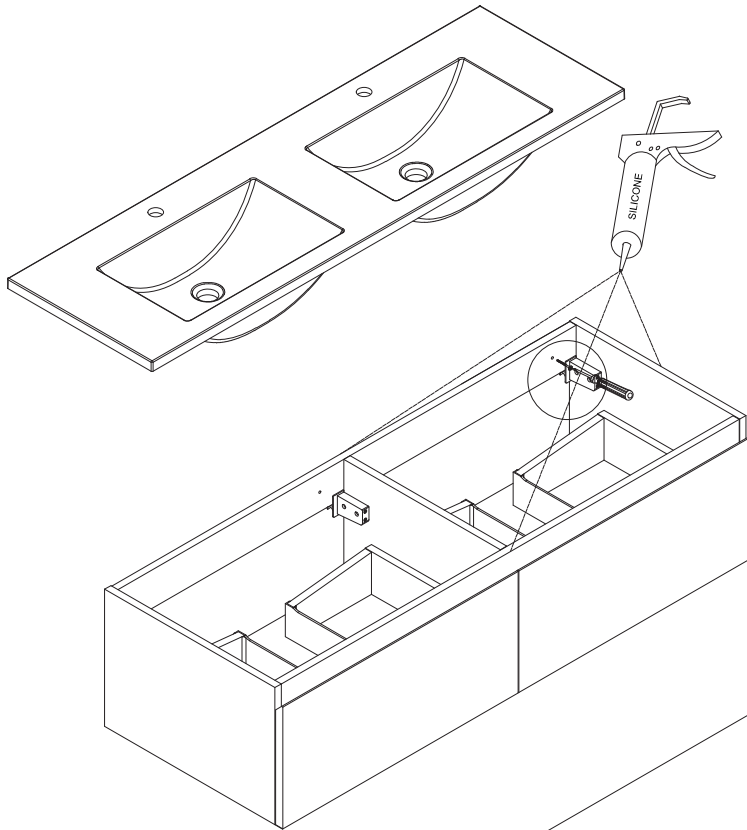


SAT® is registered trademark of



**Swiss
Aqua
Technologies**

Swiss Aqua Technologies AG
Gewerbstrasse 9, 6330 Cham, Switzerland
www.swatec.ch
Imported by SIKO KOUPELNY a.s.
Made in P.R.C.



SAT® is registered trademark of

