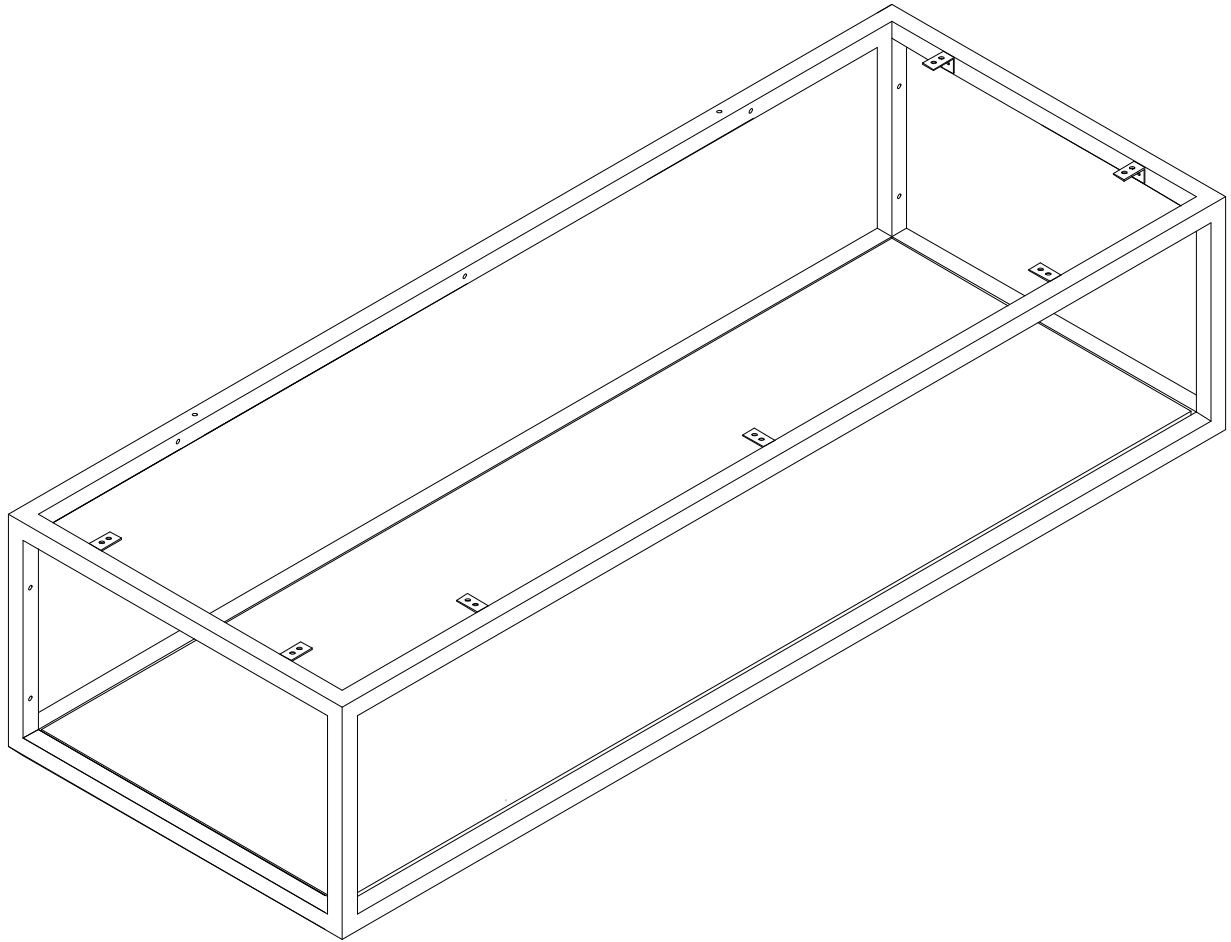


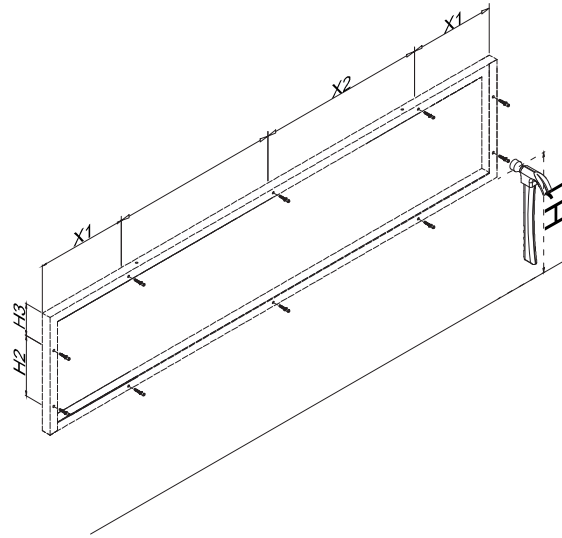
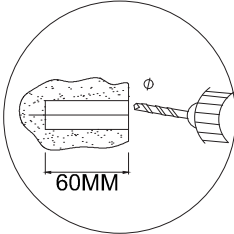
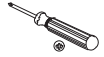


SAT

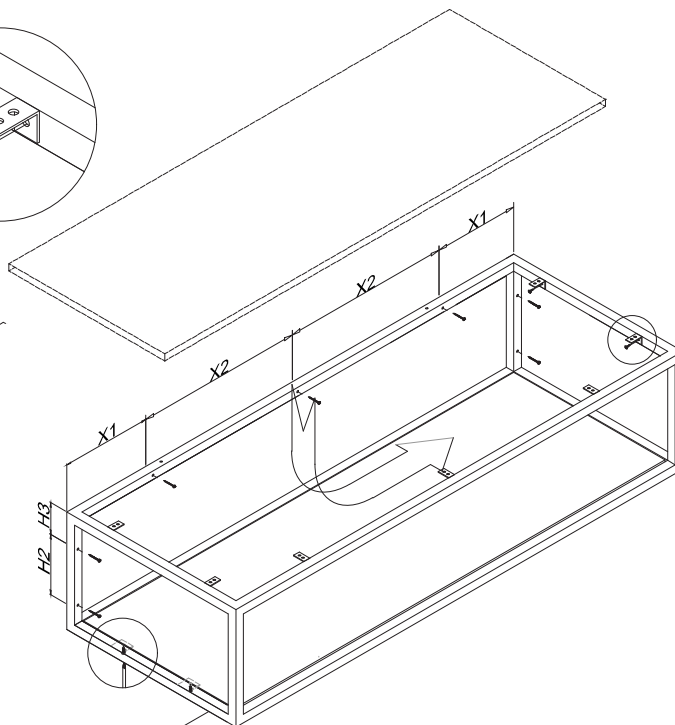
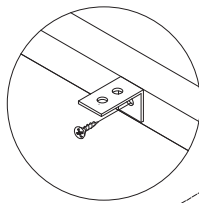
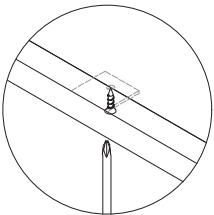
BWAY60FRAME
BWAY80FRAME
BWAY100FRAME
BWAY120FRAME



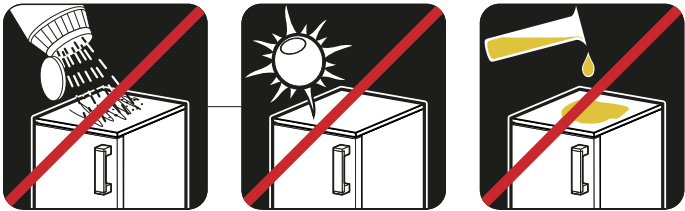
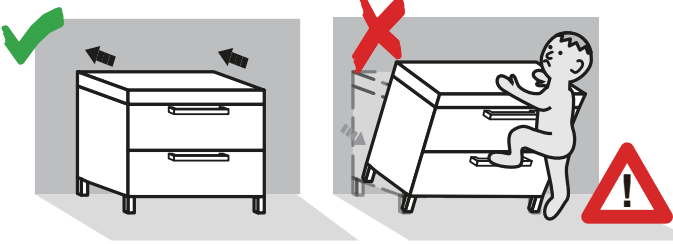
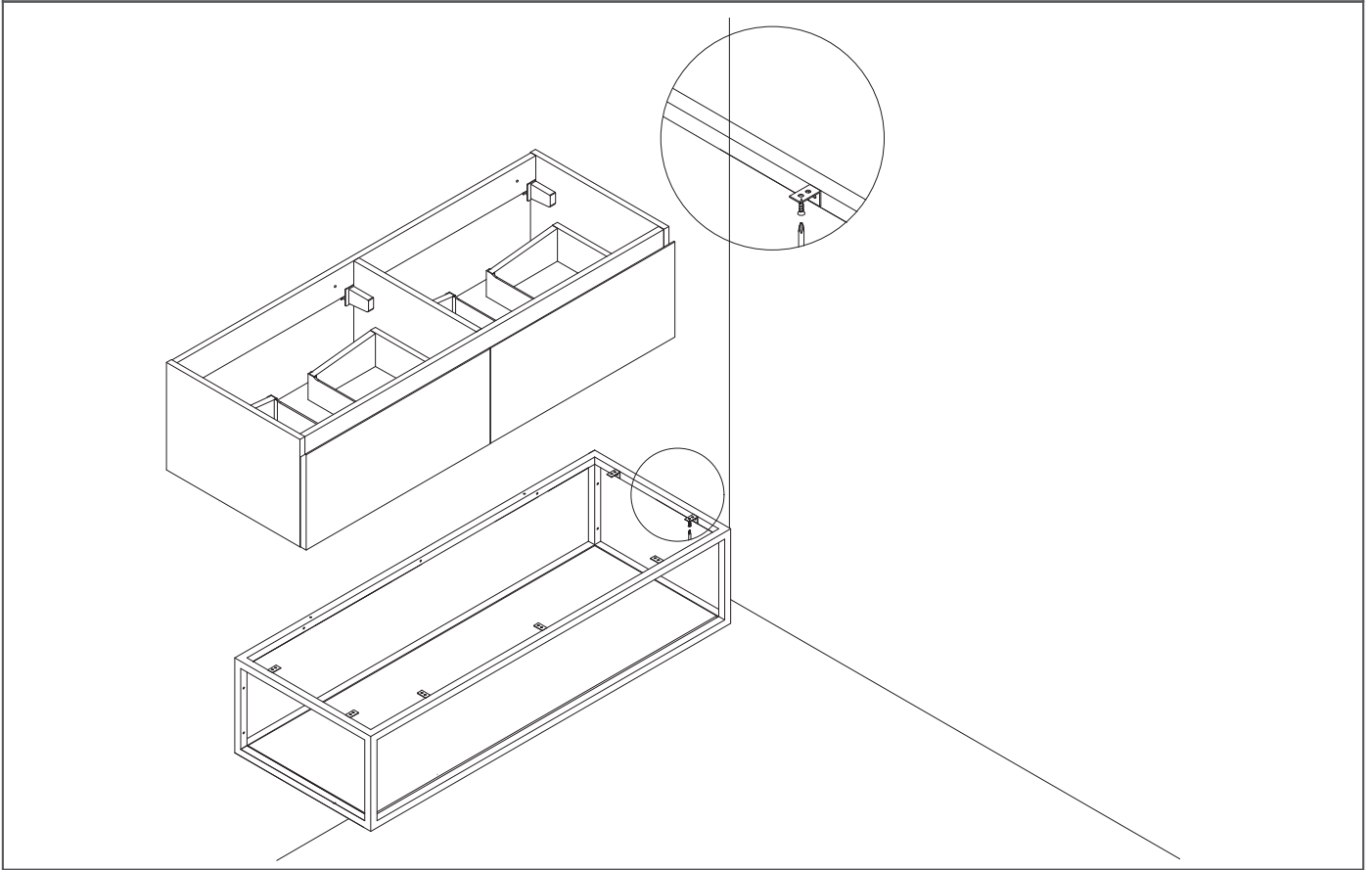
1



2



3



SAT® is registered trademark of

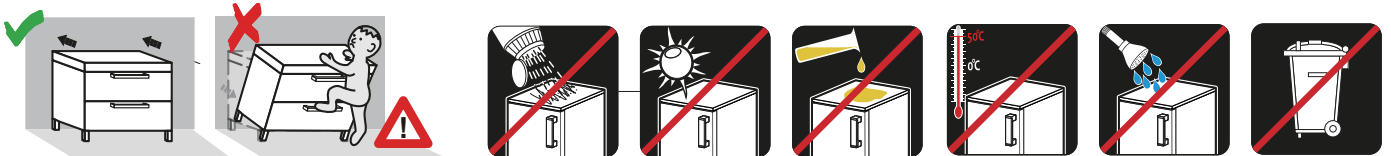
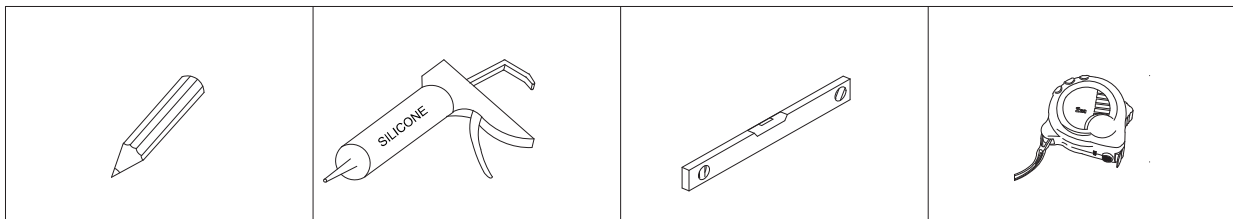
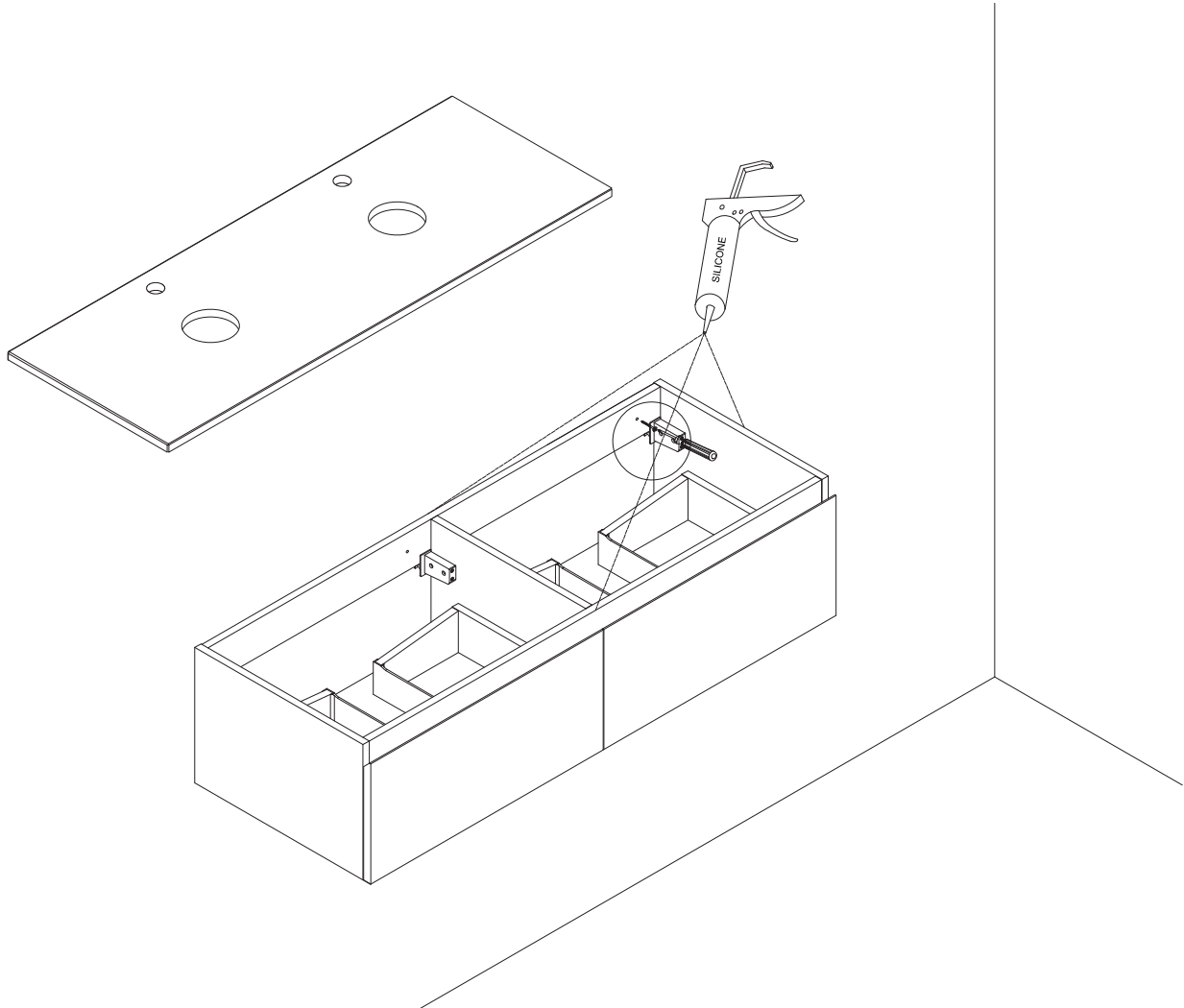


**Swiss
Aqua
Technologies**

Swiss Aqua Technologies AG
Gewerbstrasse 9, 6330 Cham, Switzerland
www.swatec.ch
Imported by SIKO KOUPELNY a.s.
Made in P.R.C.



BWAY60DESKAOAK
BWAY80DESKAOAK
BWAY100DESKAOAK
BWAY120DESKAOAK

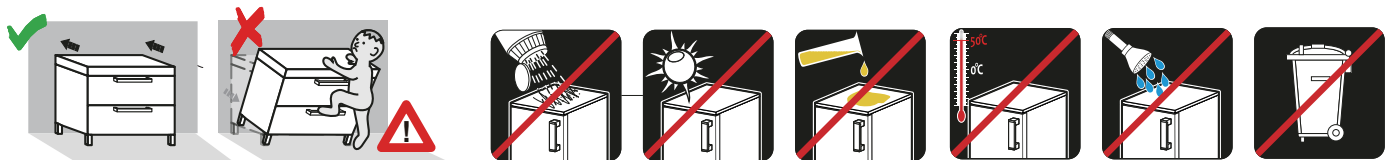
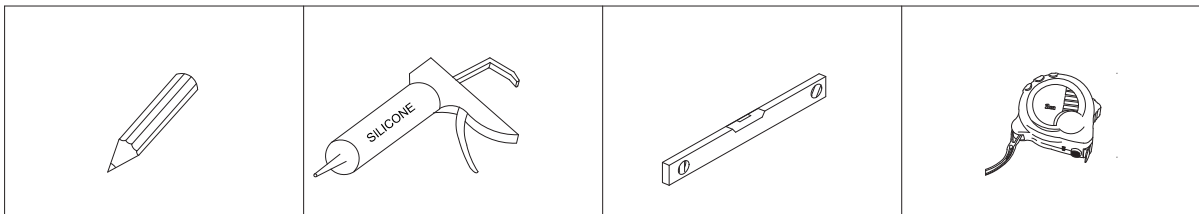
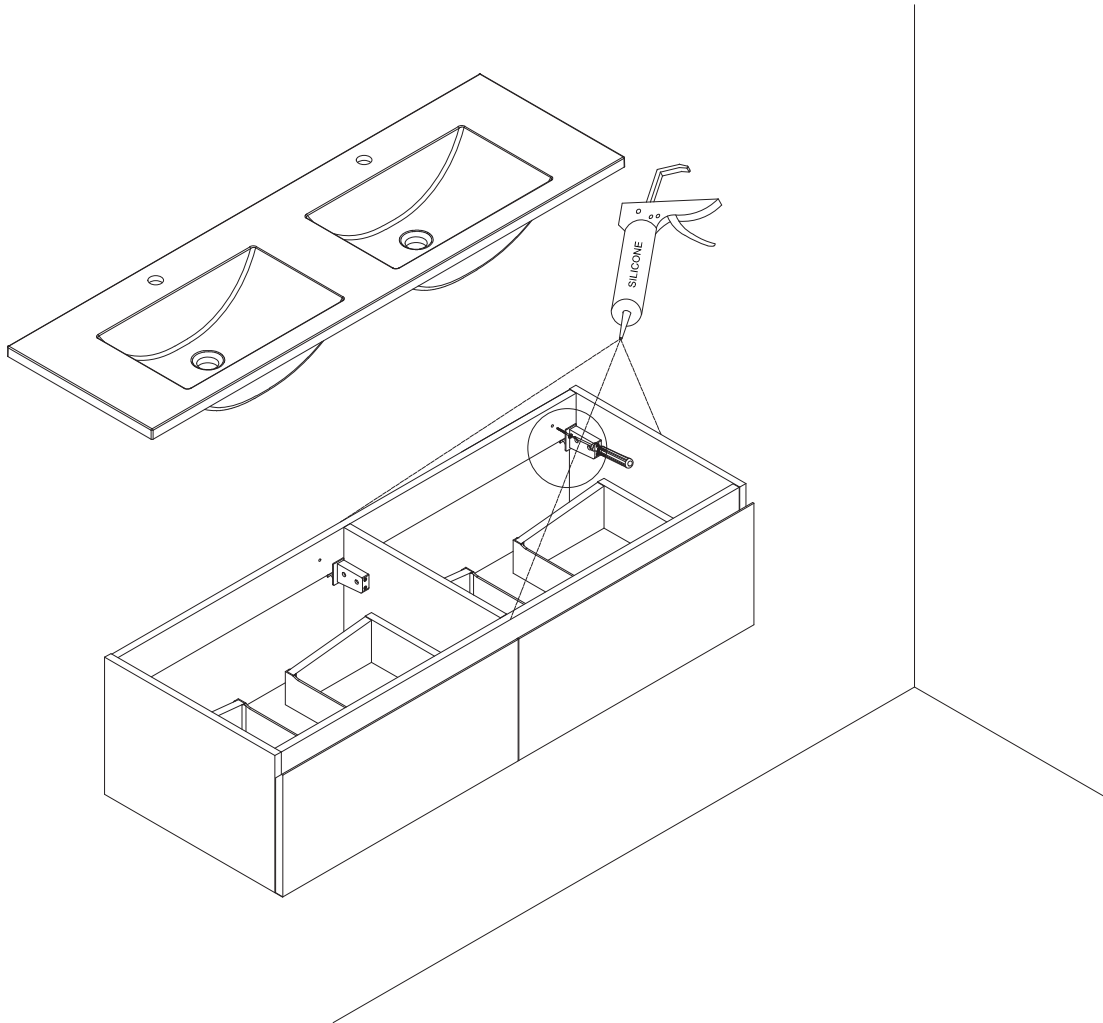


SAT® is registered trademark of



Swiss Aqua Technologies AG
Gewerbstrasse 9, 6330 Cham, Switzerland
www.swatec.ch
Imported by SIKO KOUPELNY a.s.
Made in P.R.C.





SAT® is registered trademark of

