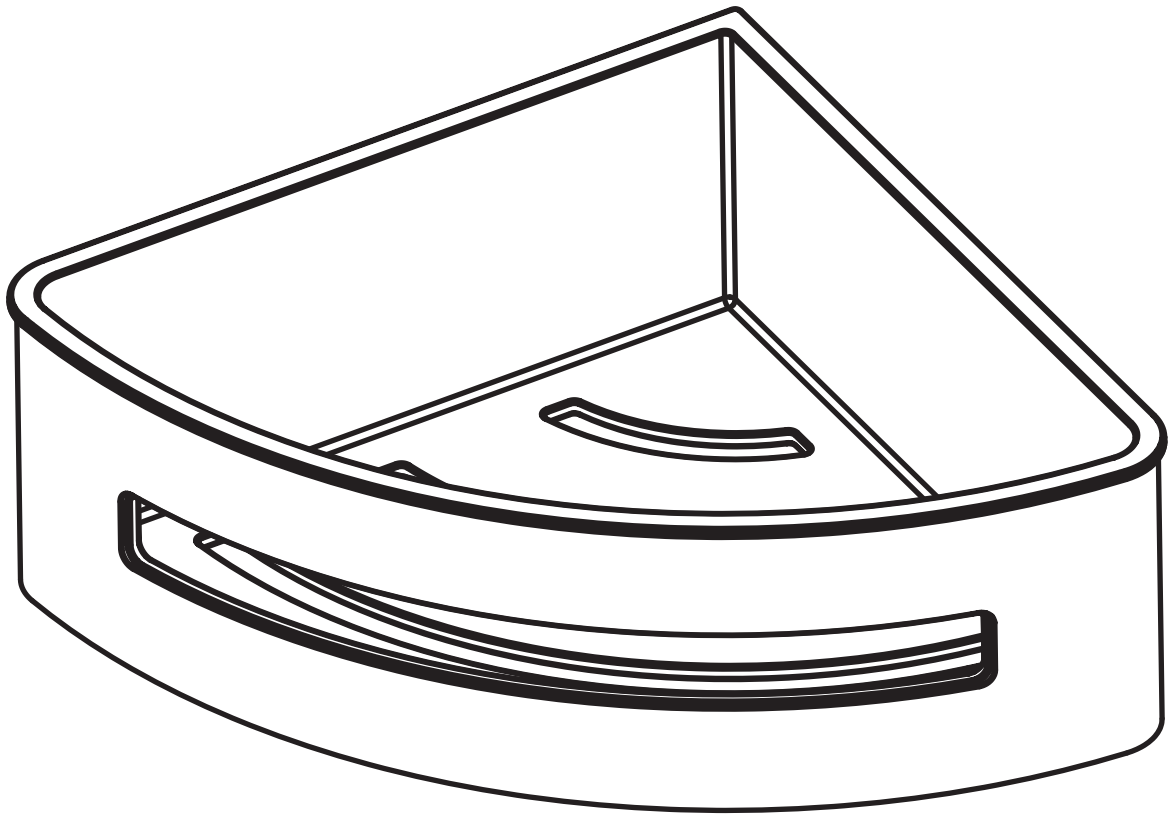
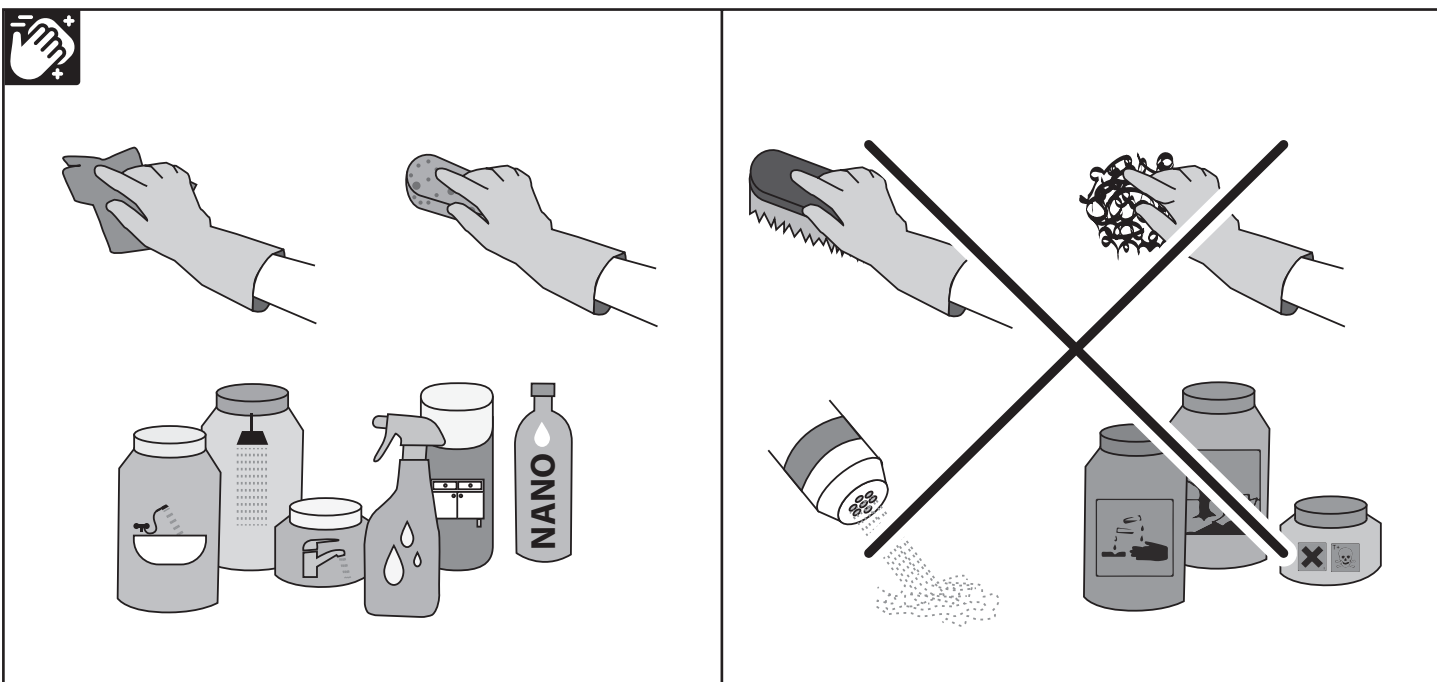
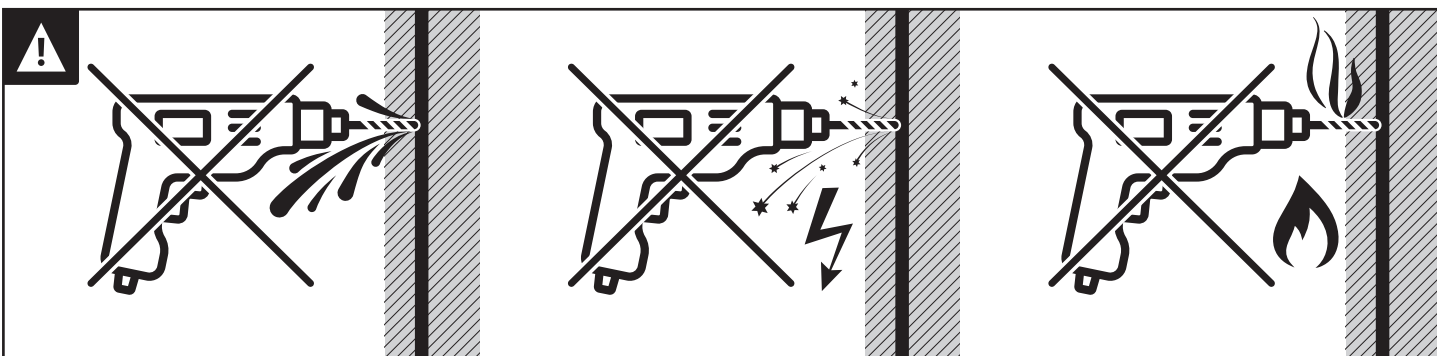
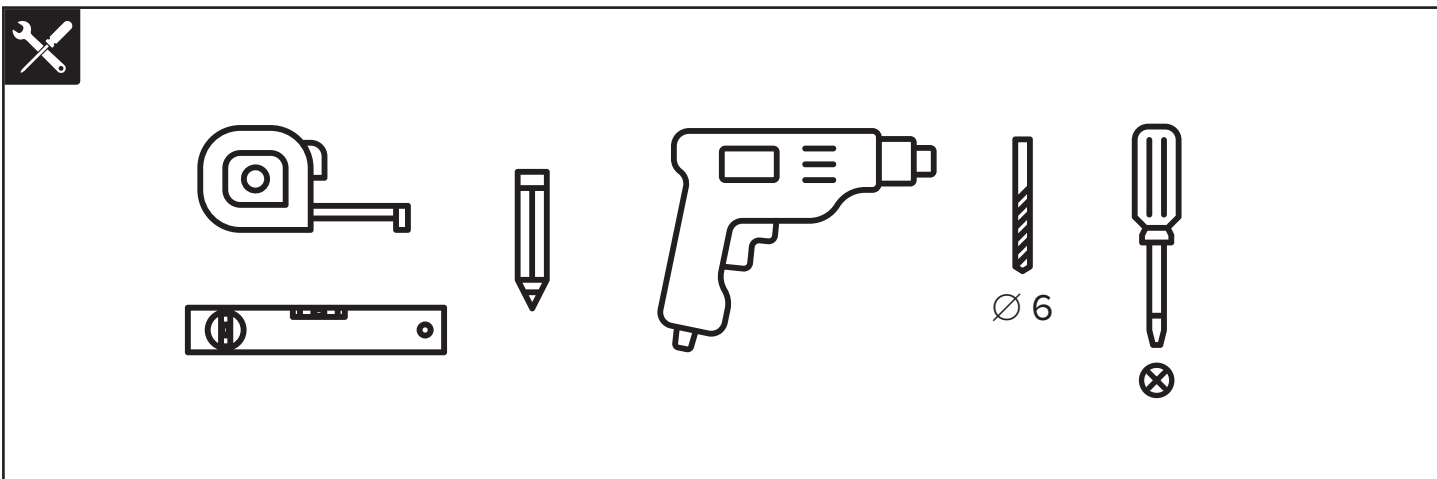
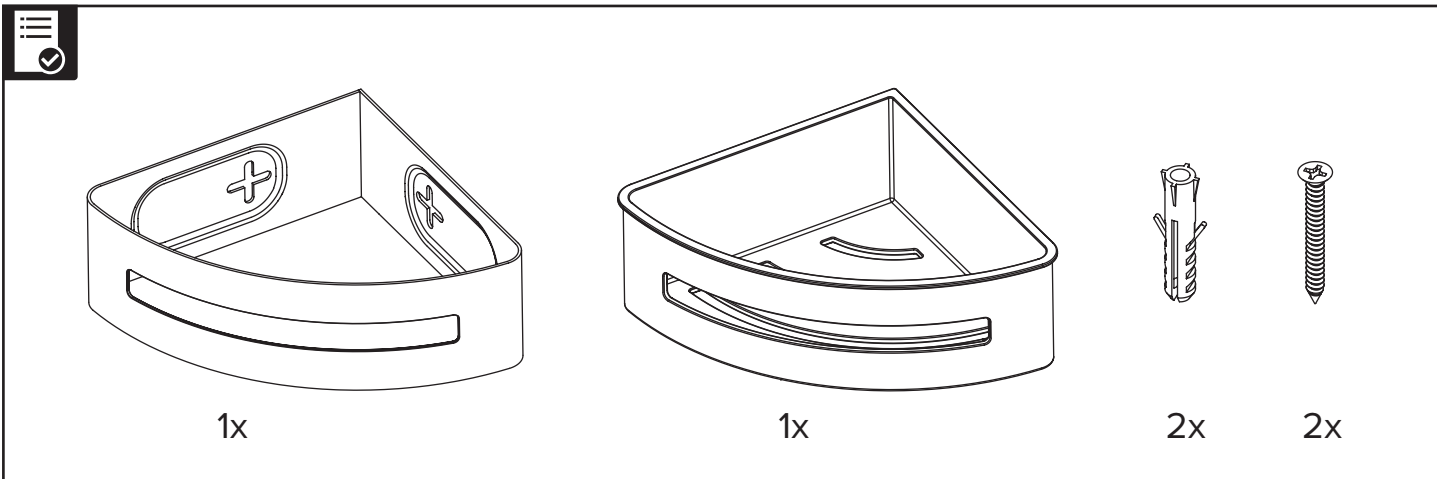
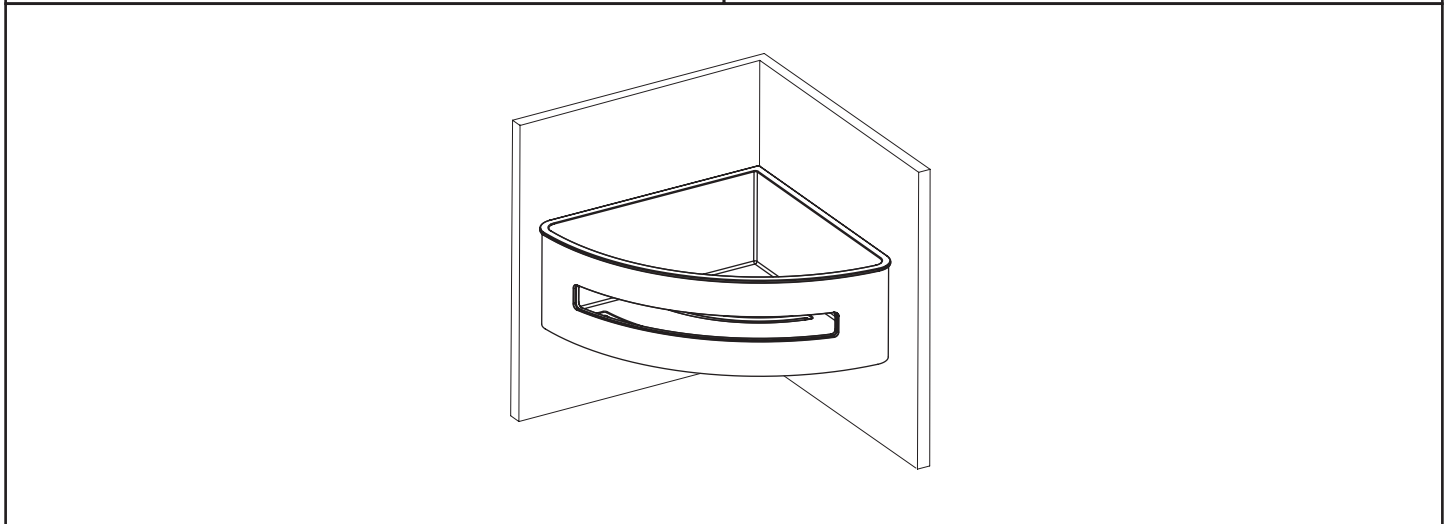
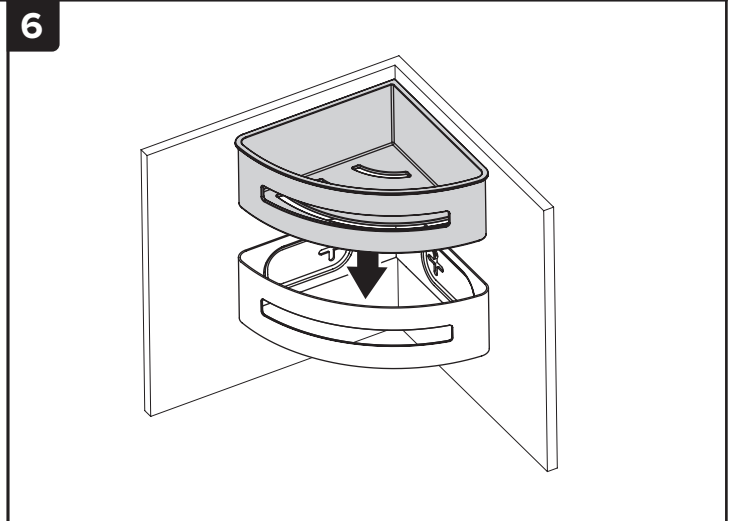
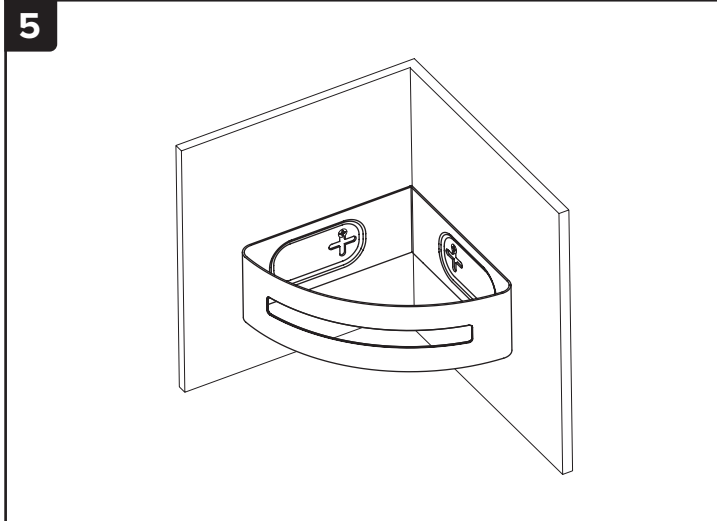
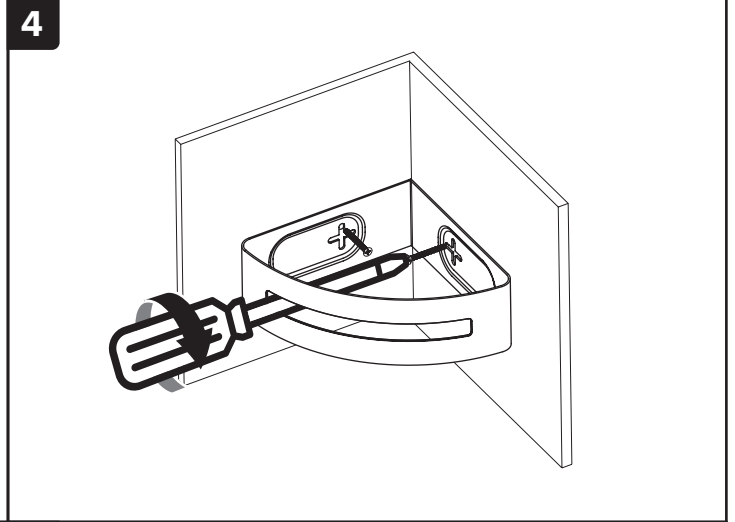
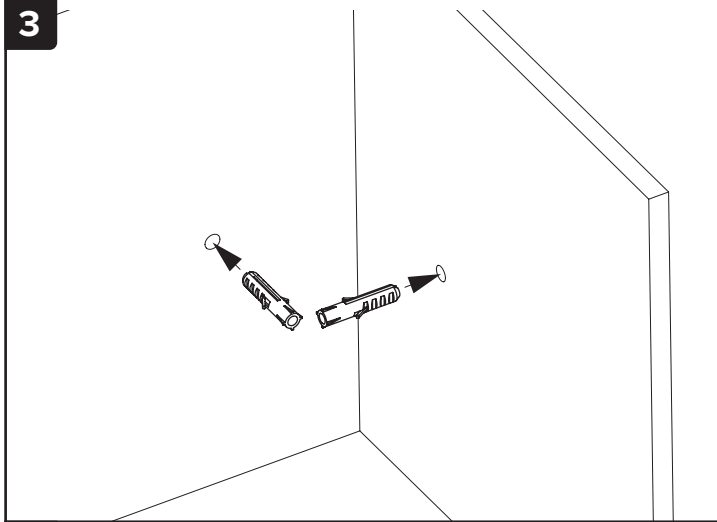
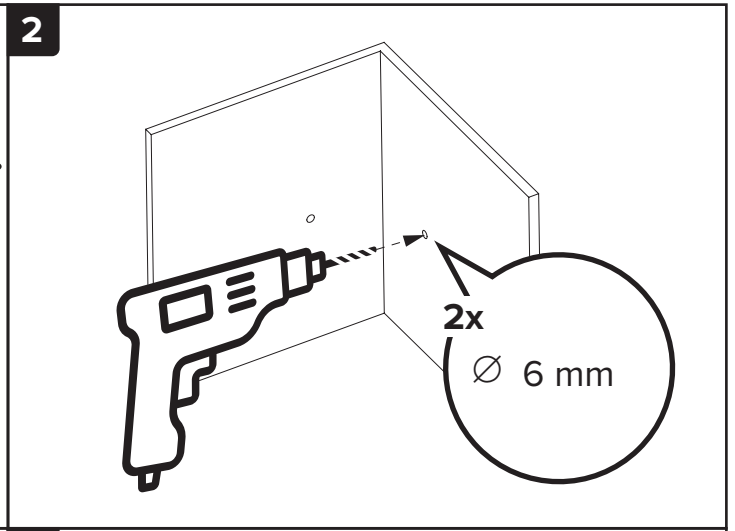
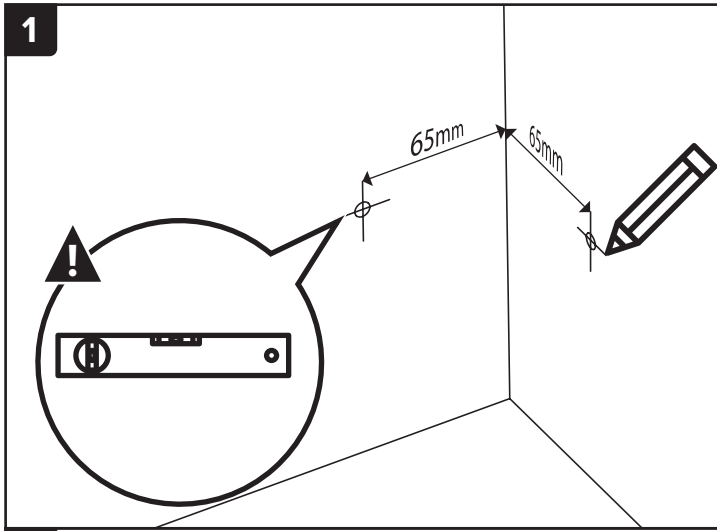


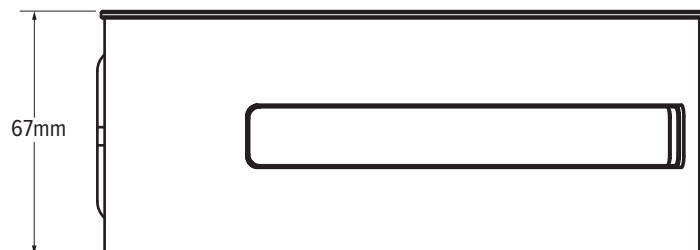
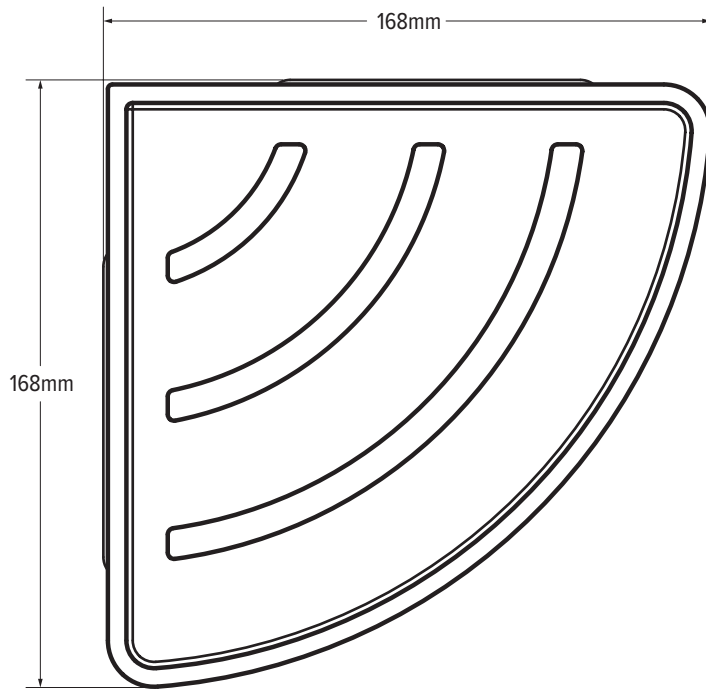
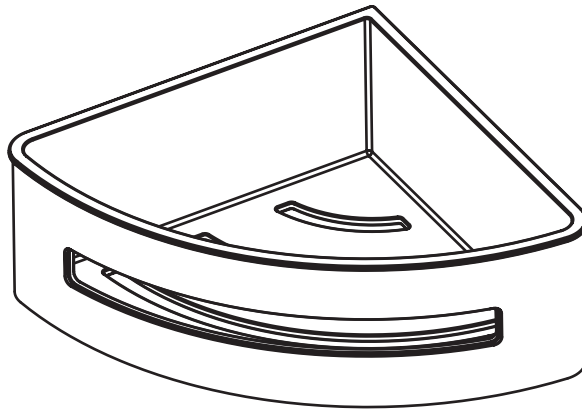


SATDPOLROHCHB  
SATDPOLROHCHC  
SATDPOLROHMC  
SATDPOLROHBB









SAT® is registered trademark of



Swiss Aqua Technologies AG  
Gewerbstrasse 9, 6330 Cham, Switzerland  
[www.swatec.ch](http://www.swatec.ch)  
Imported by SIKO KOUPELNY a.s.  
Made in P.R.C.