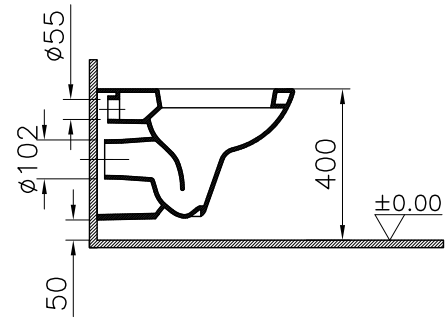
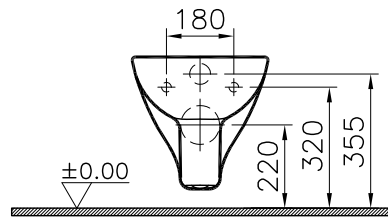
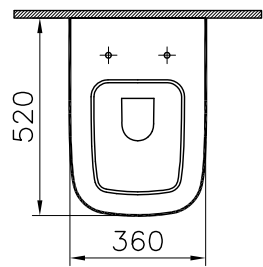


Theoretic Mass(kg)	Revision
Surface Area(dm ²)	A4

Thread	Hole	Shaft



1	1	Wall-hung WC pan		5507-0075	Ceramic				
item	Quantity	Part Name		Drawing No	Material		Material Class		
			Series	Material	Ceramic		Material Class		
			S20	Wall-hung WC pan					
			Drawn By	Controlled By	Approved By	Date	Drawing No	Scale	VitrA® ARTEMA®
			G.GULTER	H.TURKOZ	S.VEDAT SARIGOL	16.12.2010	5507	1/20	
			R.S	Description	Date	GOKHAN NAME			

This drawing can only be used for the intended purposes. Unauthorized copying is strictly prohibited.