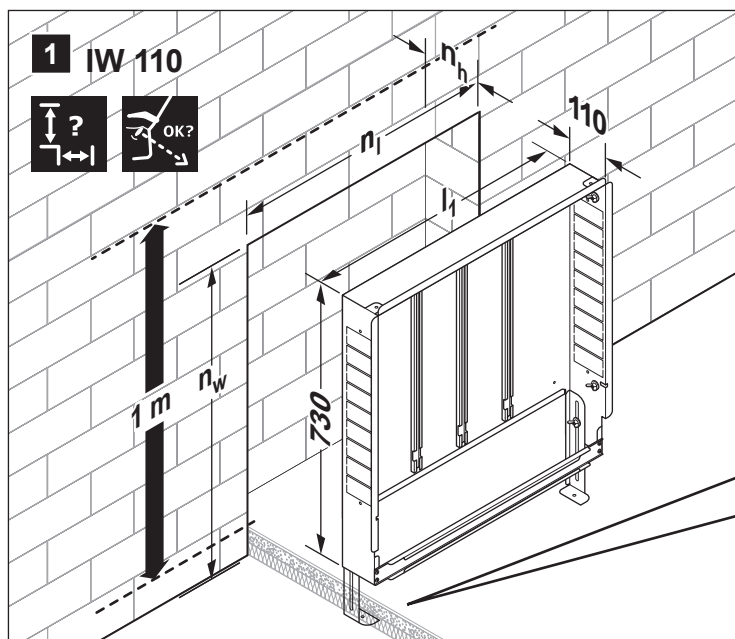
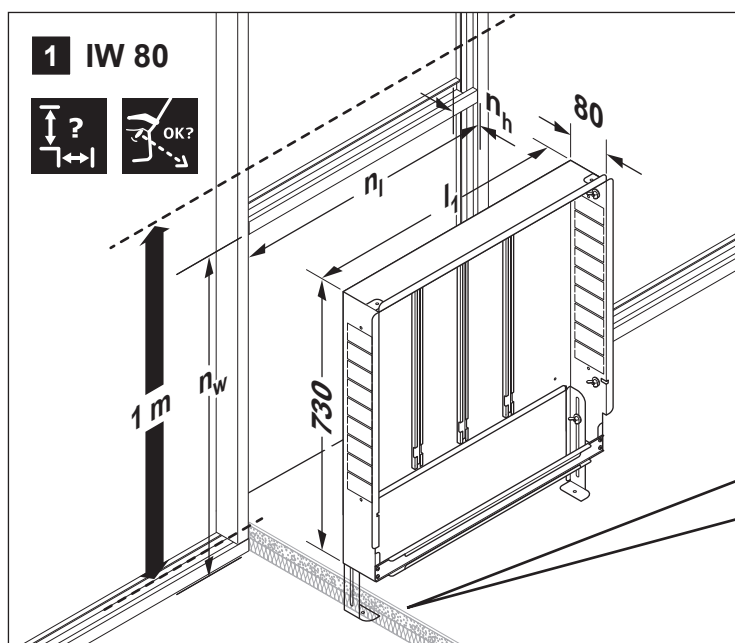


Uponor Vario cabinet IW



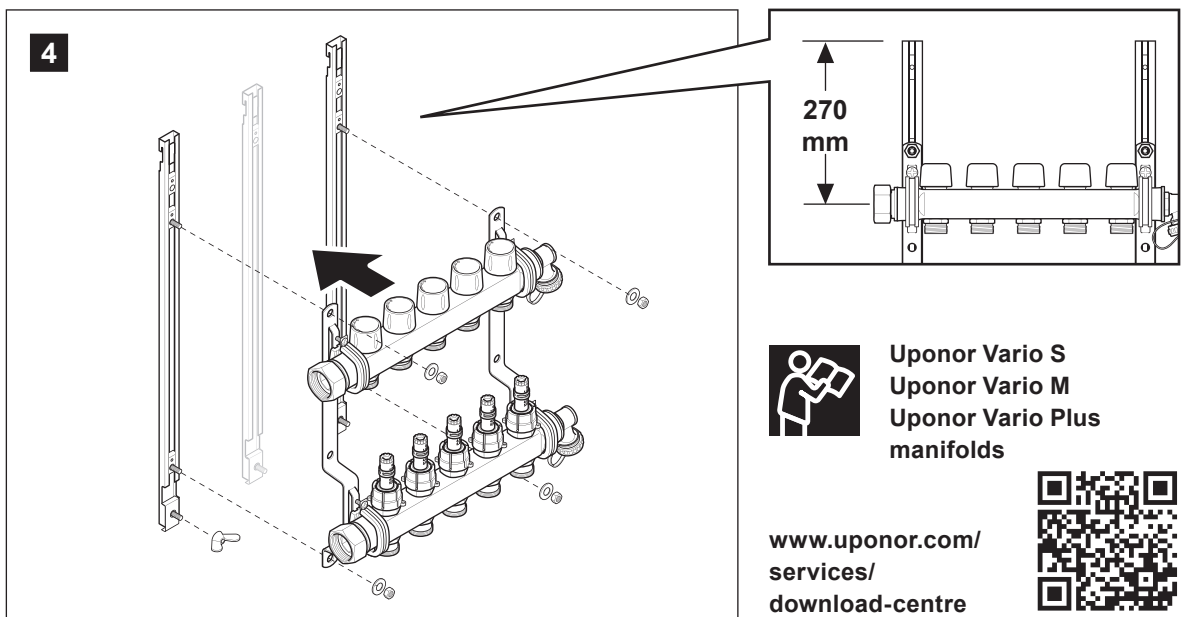
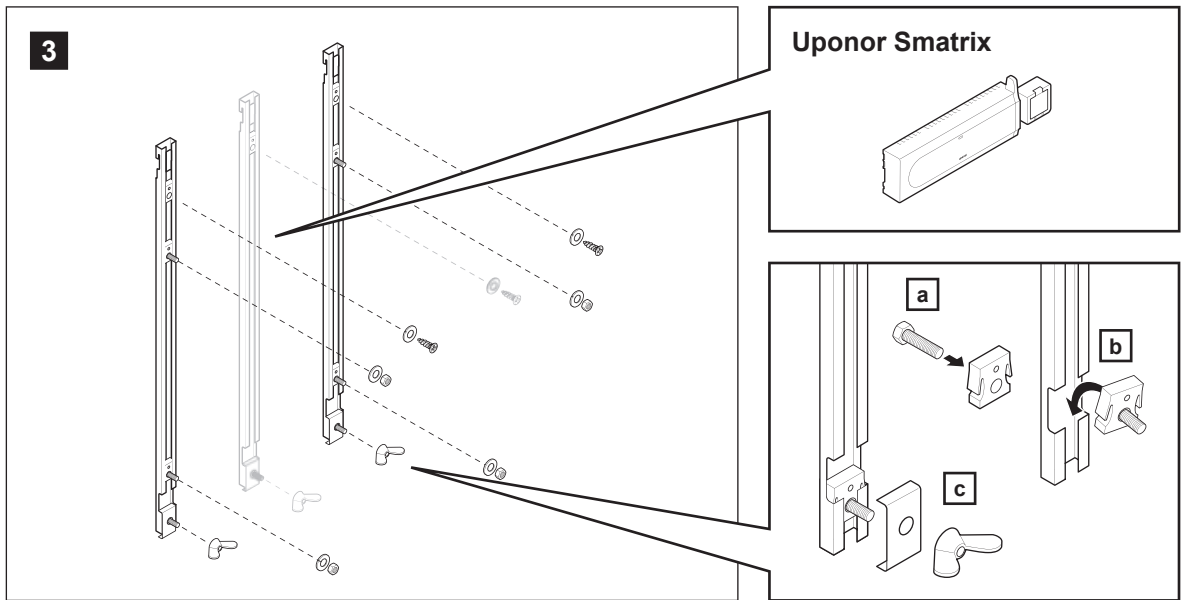
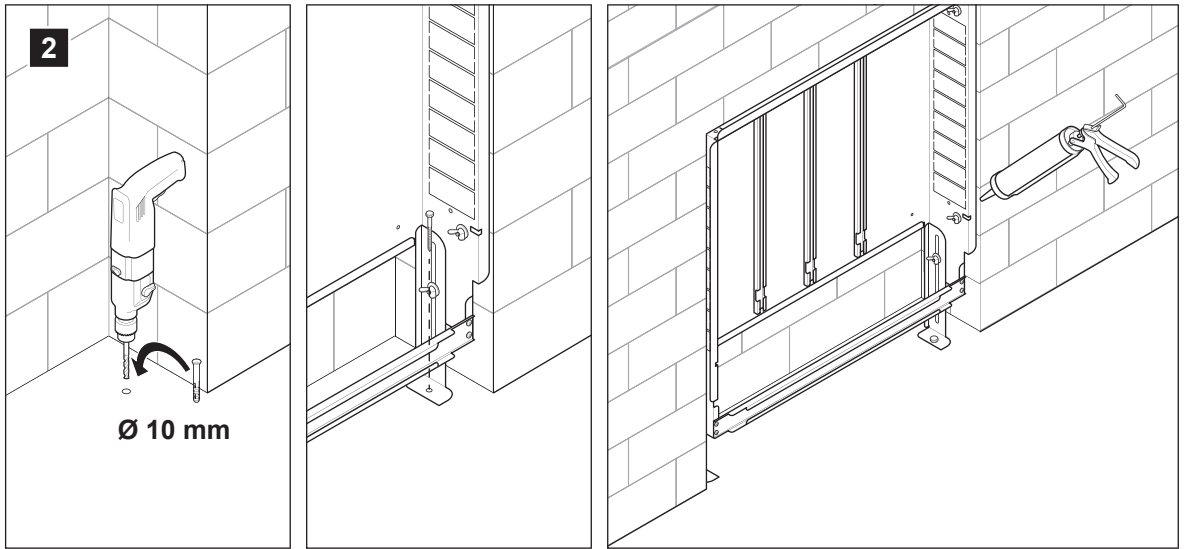
IW 110 [mm]	l_1	h_1	n_1	n_h	n_w
550x730x110	550	110	605	110-150	730+30+f
700x730x110	700	110	755	110-150	730+30+f
850x730x110	850	110	905	110-150	730+30+f

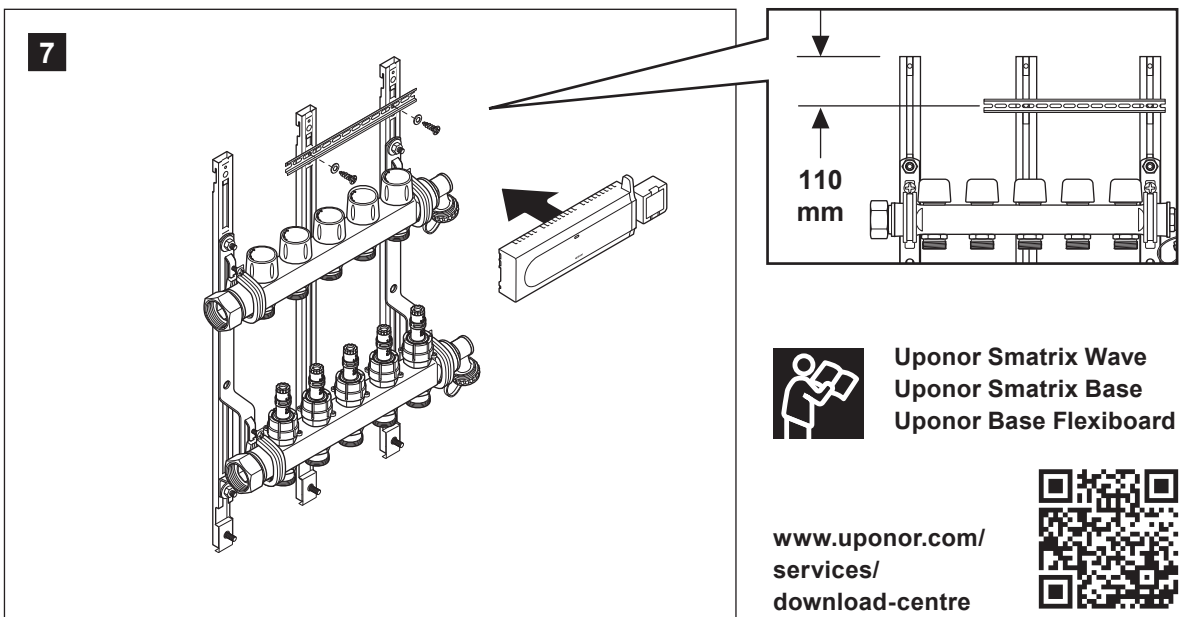
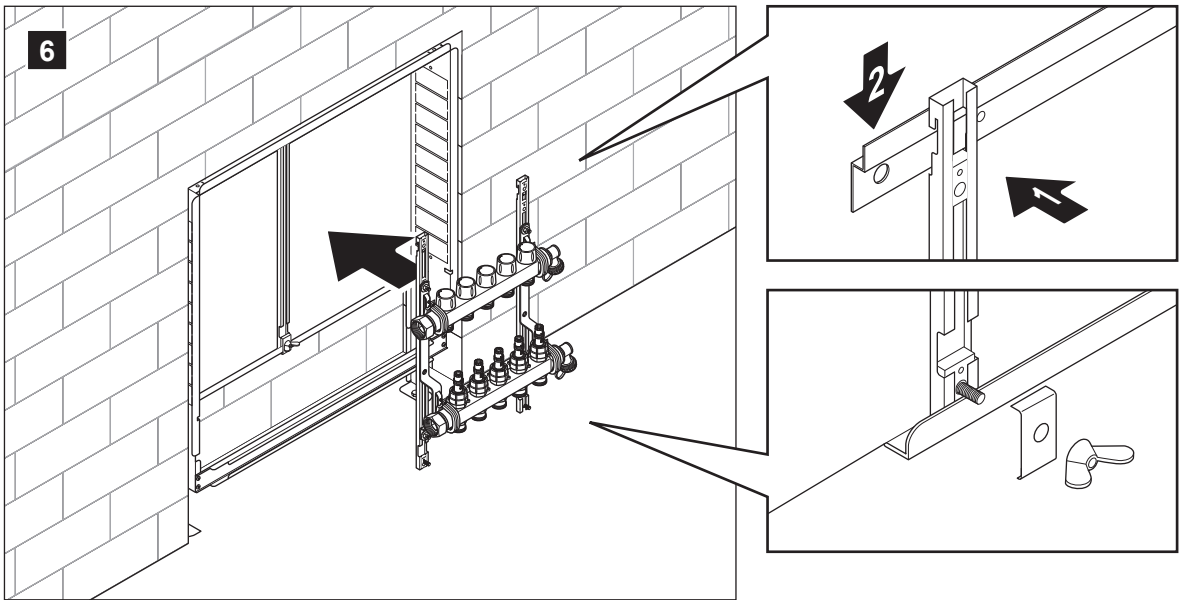
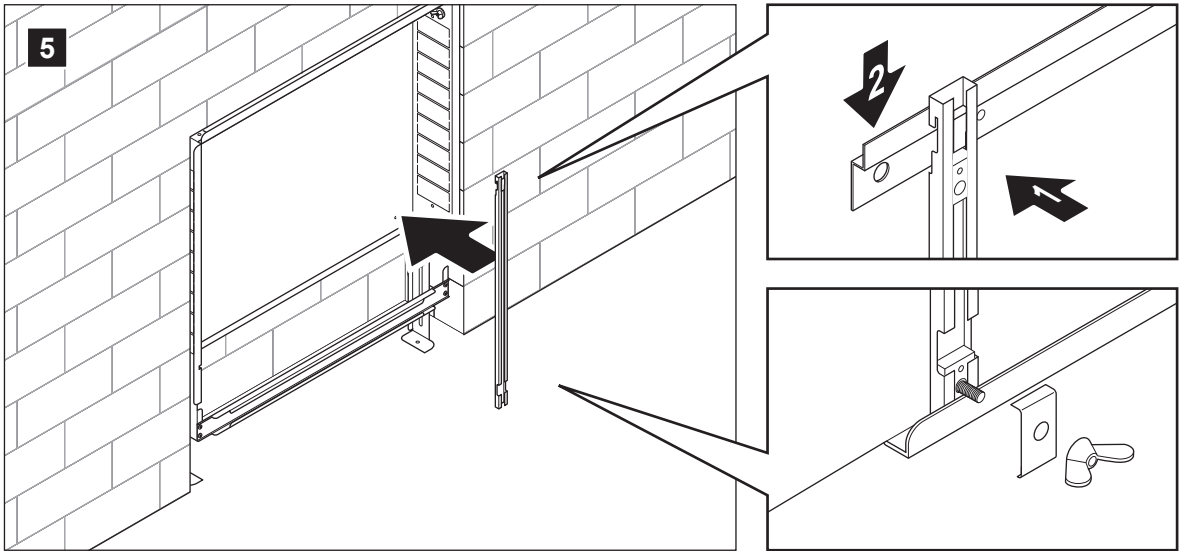
IW 110 [mm]	l_1	h_1	n_1	n_h	n_w
1000x730x110	1000	110	1055	110-150	730+30+f
1150x730x110	1150	110	1205	110-150	730+30+f
1300x730x110	1300	110	1355	110-150	730+30+f

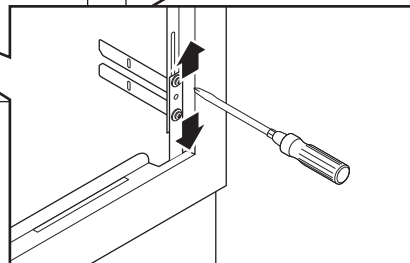
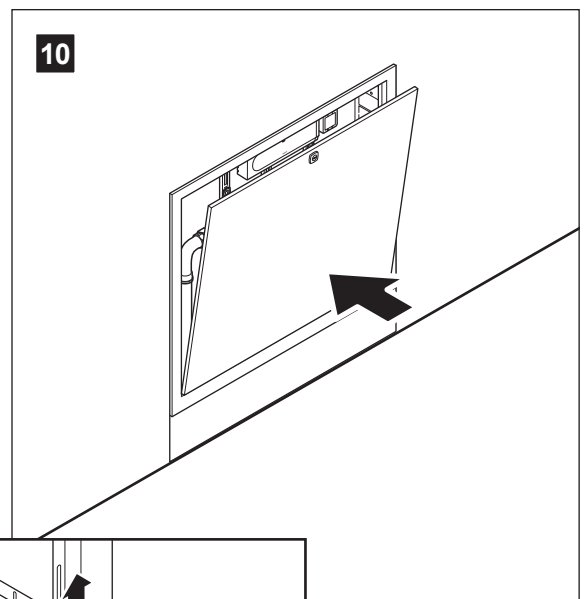
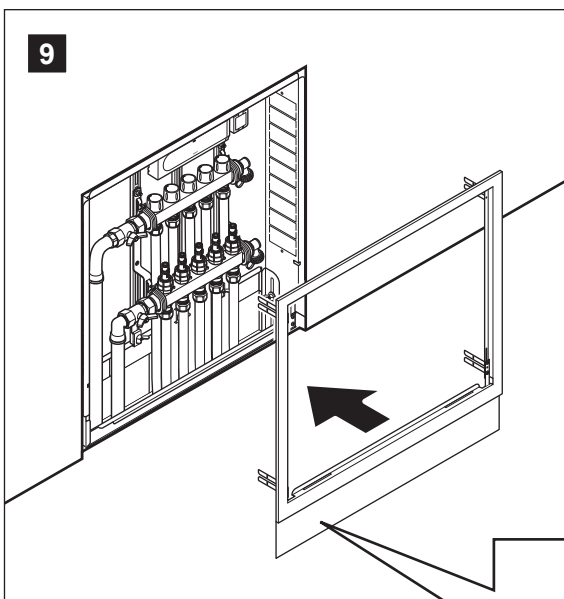
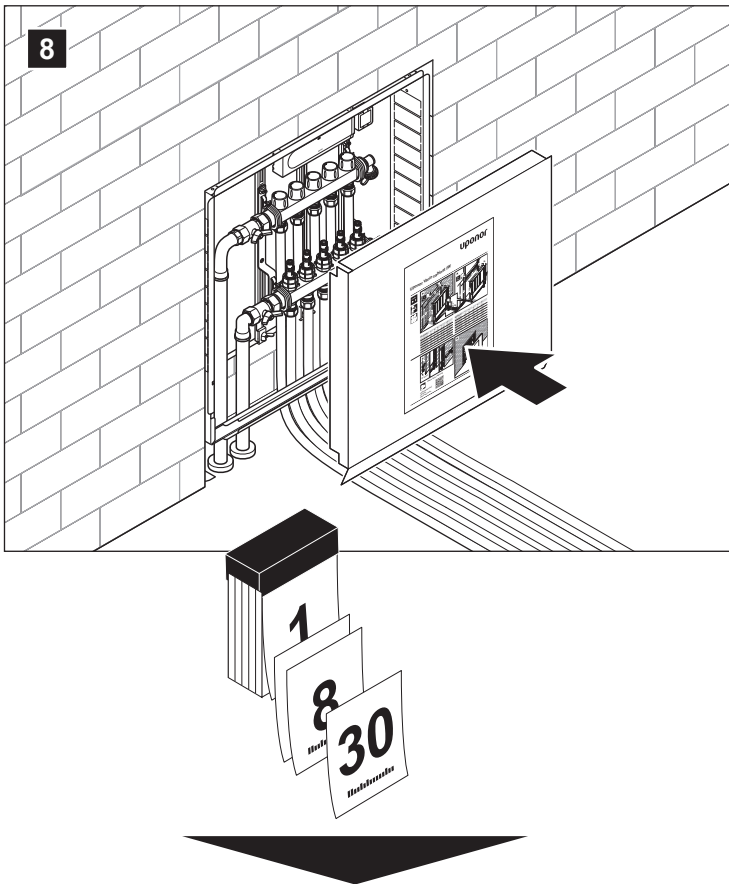


IW 80 [mm]	l_1	h_1	n_1	n_h	n_w
550x730x80	550	80	555	80-120	733+f
700x730x80	700	80	705	80-120	733+f
850x730x80	850	80	855	80-120	733+f

IW 80 [mm]	l_1	h_1	n_1	n_h	n_w
1000x730x80	1000	80	1005	80-120	733+f
1150x730x80	1150	80	1155	80-120	733+f
1300x730x80	1300	80	1305	80-120	733+f







Uponor GmbH
 Industriestraße 56,
 D-97437 Hassfurt, Germany

1094320 01_2019 INT
 Production: Uponor / FM

Uponor reserves the right to make changes, without prior notification, to the specification of incorporated components in line with its policy of continuous improvement and development.



www.uponor.com