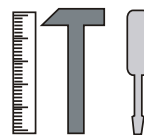
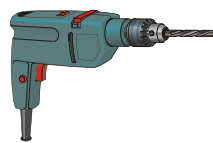
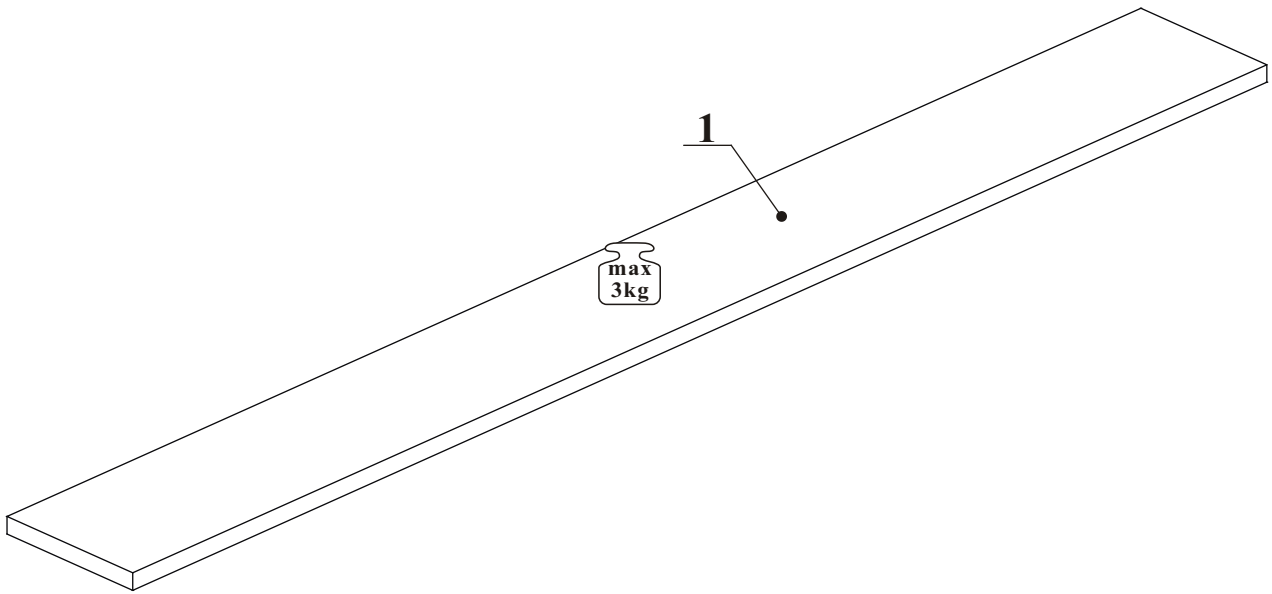
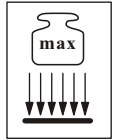


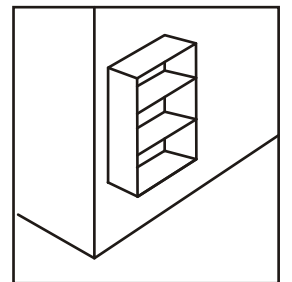
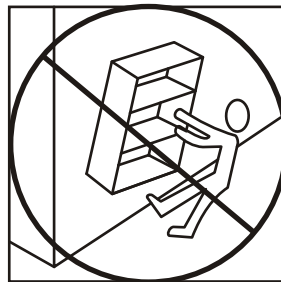
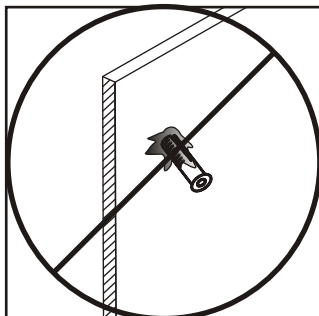
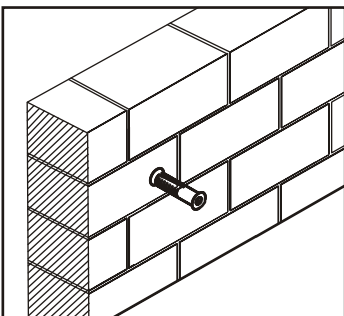
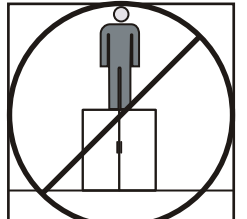
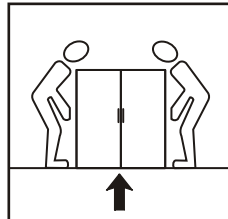
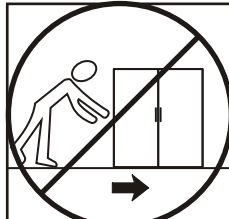
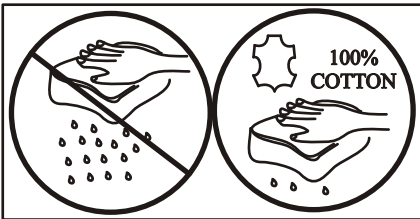
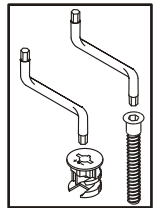
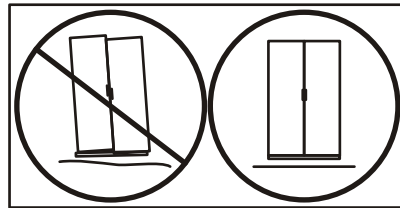
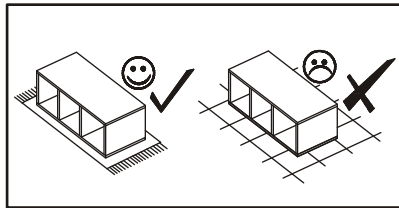
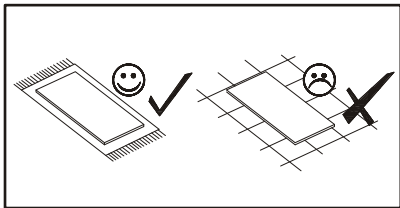
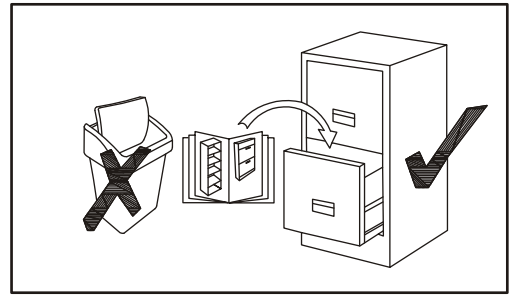
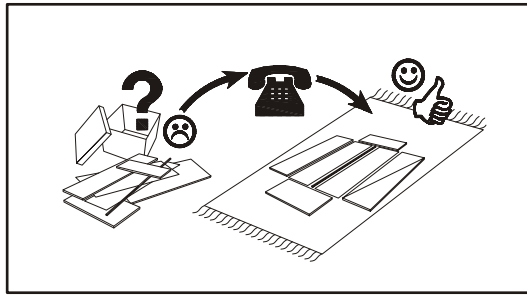
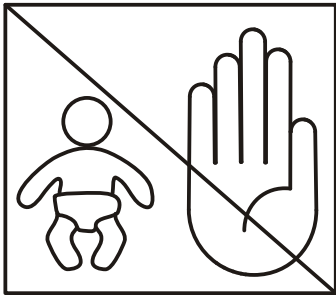
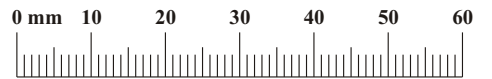
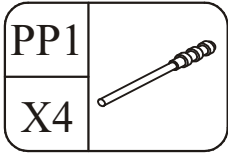
SWITCH PW 1



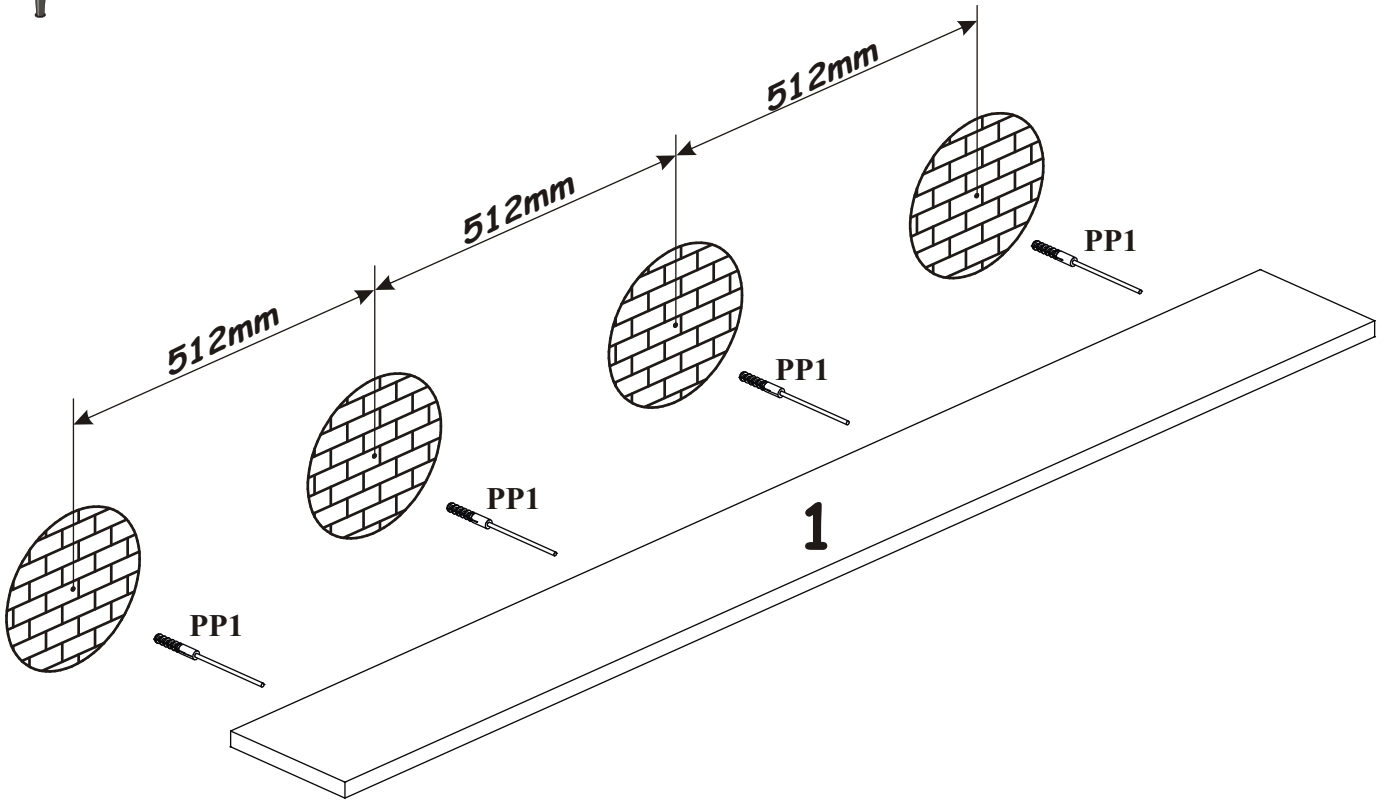
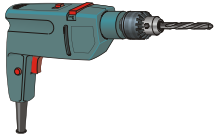
10 min

NO	Dim.	Col.-No	Qty
1	1802 200	1	1

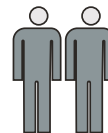
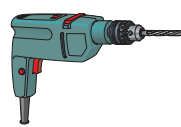
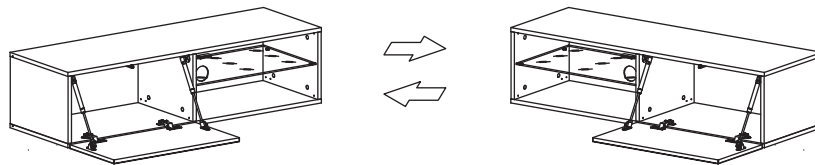
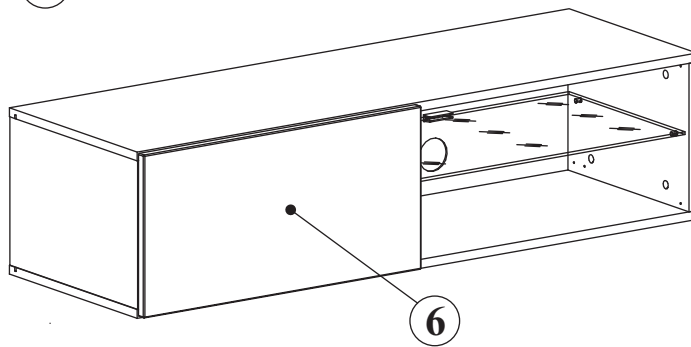
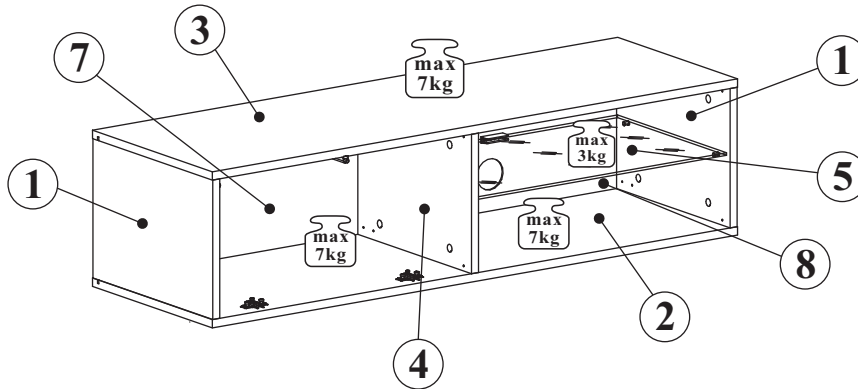
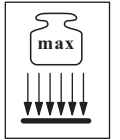
SWITCH PW 1



SWITCH PW 1



SWITCH 27 -- SW RTV 4

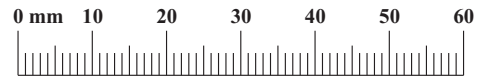


90 min

NO	Dim.			Col-No	Qty
1	268	384	16	1	2
2	1202	384	16	1	1
3	1202	384	16	1	1
4	268	364	16	1	1
6	596	294	16	1	1
5	574	349	5	1	1
7	589	280	3	1	1
8	589	280	3	1	1

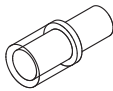
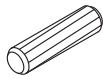


SWITCH RTV 4

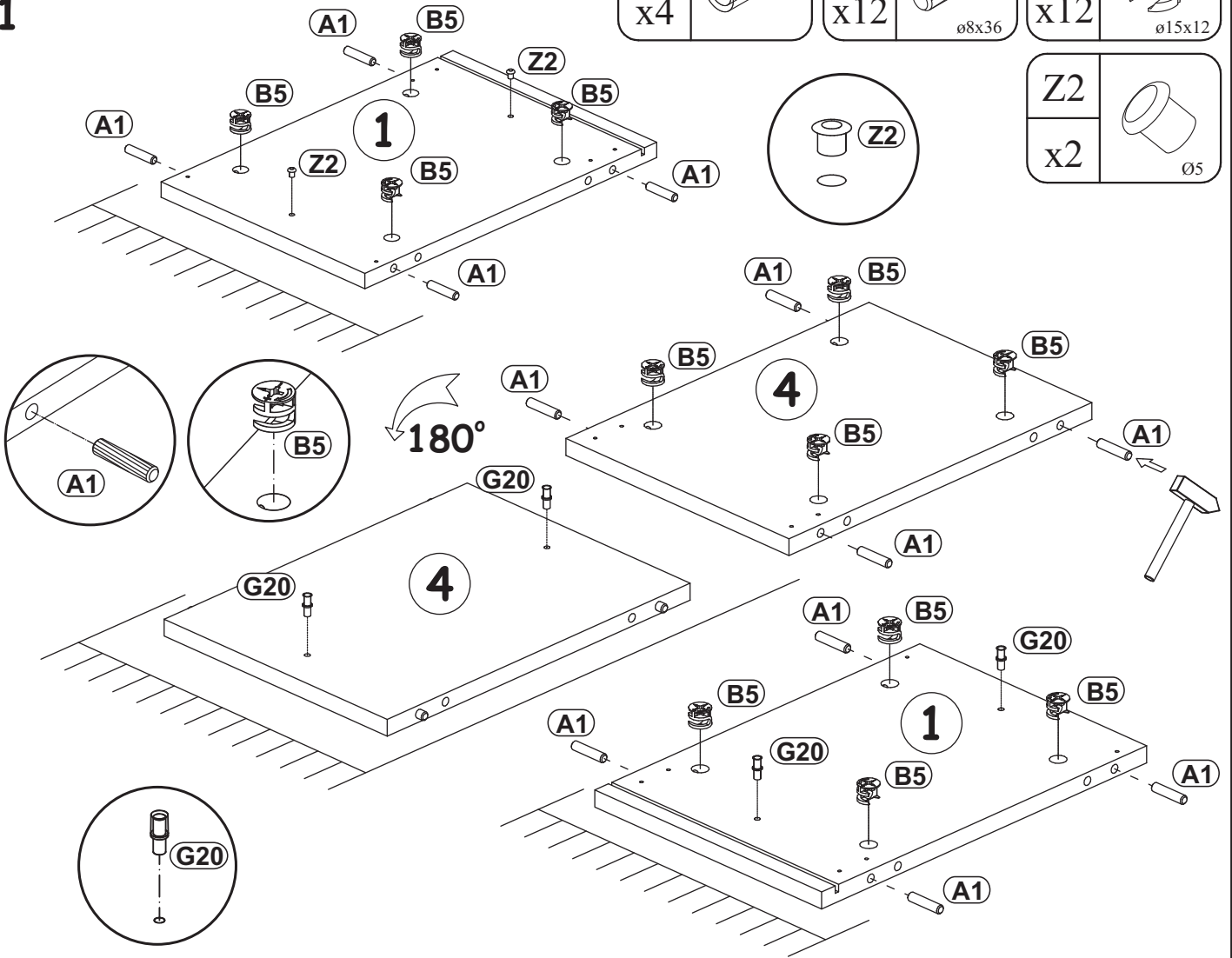
A1 x12 ø8x36	B4 x12	G5 x12	B5 x12 ø15x12	ZR1 x3	D6 x6 USØ3,5x30
E1 x2 Ø26 H=0	E2 x2 H=0	D10 x16 USØ3,5x13	T1 x1	S1 x10	B01 x2
KR2 x3 ø8	G2 x1	LED x1 x1	G20 x4	UP13 x2 UPØ3x16	G16 x2
Z2 x6 Ø5					



SWITCH RTV 4

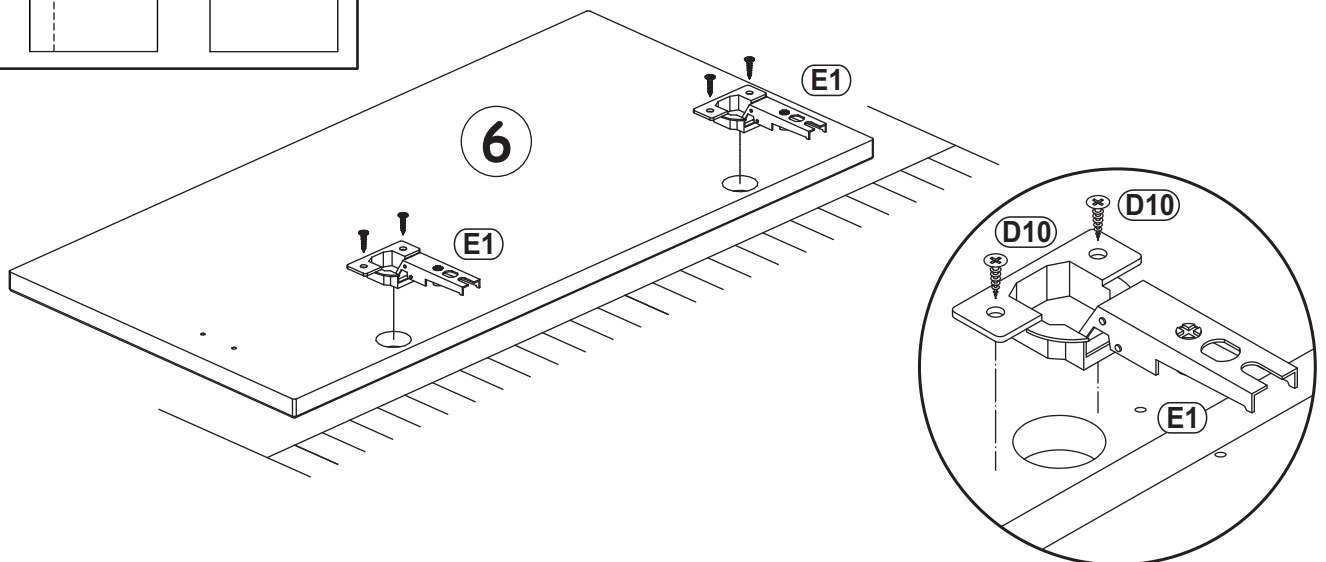
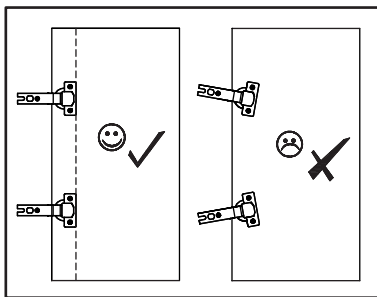
1

G20		A1		B5	
x4		x12	ø8x36	x12	ø15x12
			Z2		
			x2	Ø5	

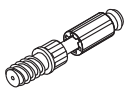


2

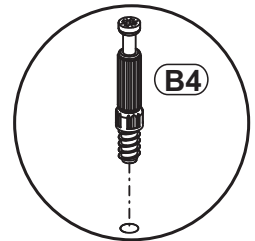
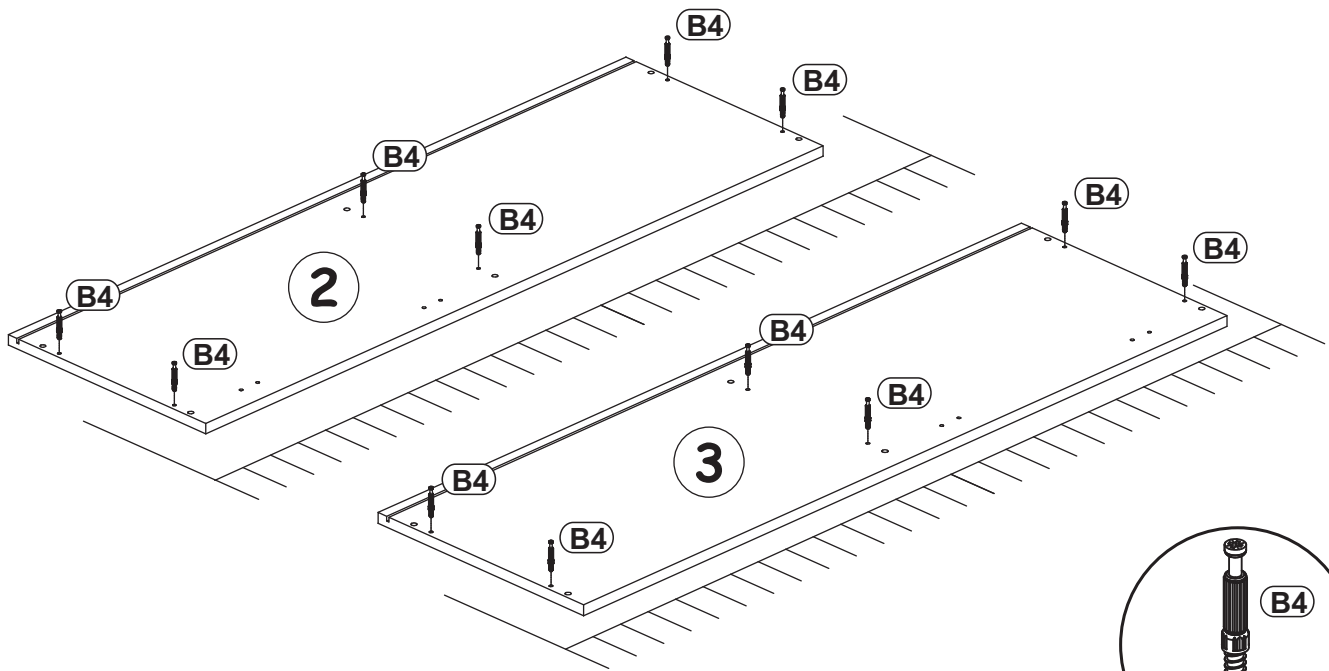
E1	Ø26	D10	
x2	H=0	x4	USØ3,5x13




SWITCH RTV 4

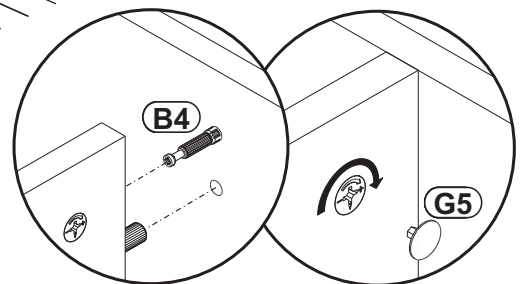
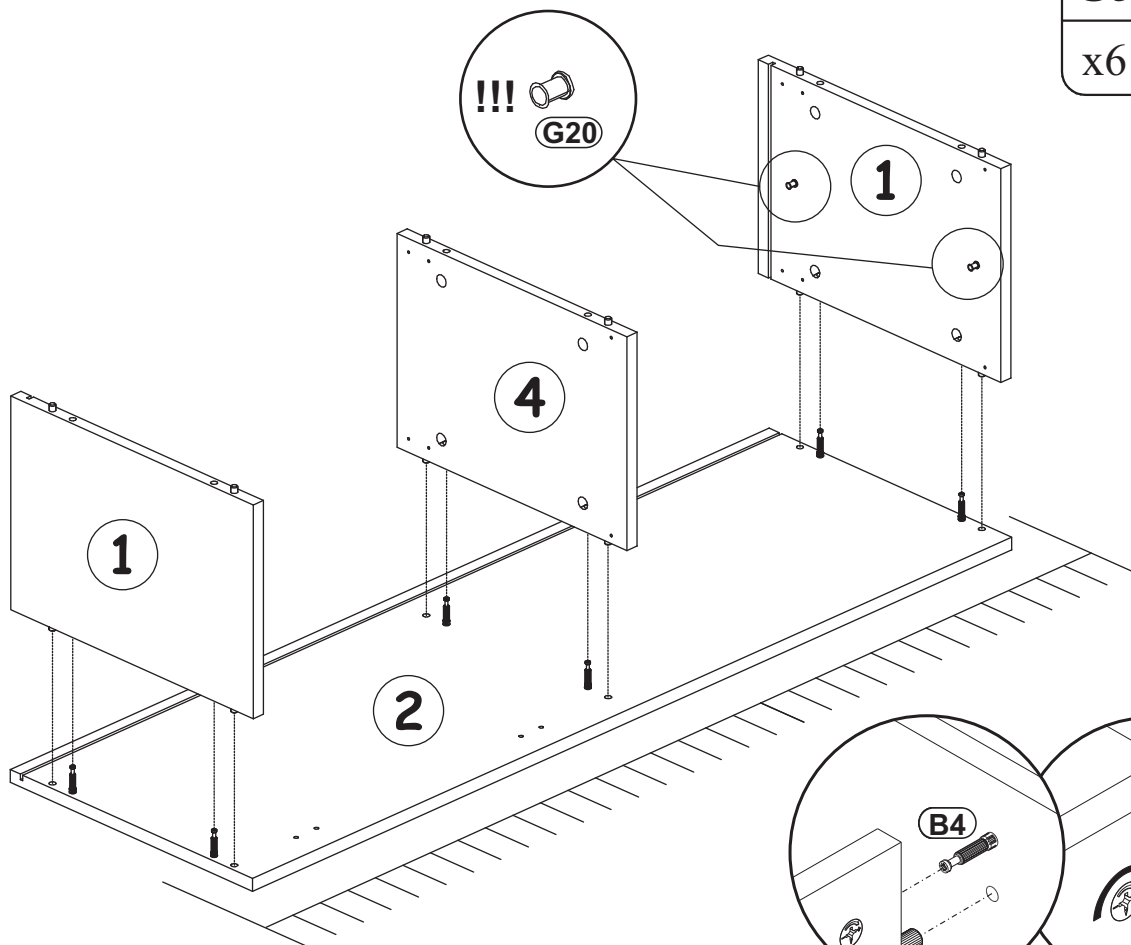
B4	
x12	

3

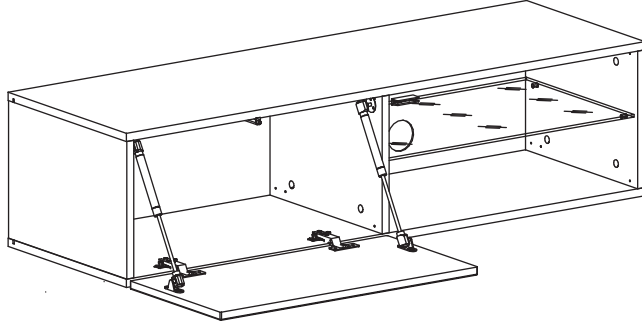


4

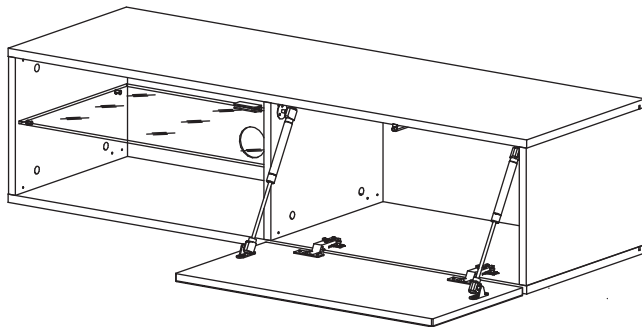
G5	
x6	



5 - 11

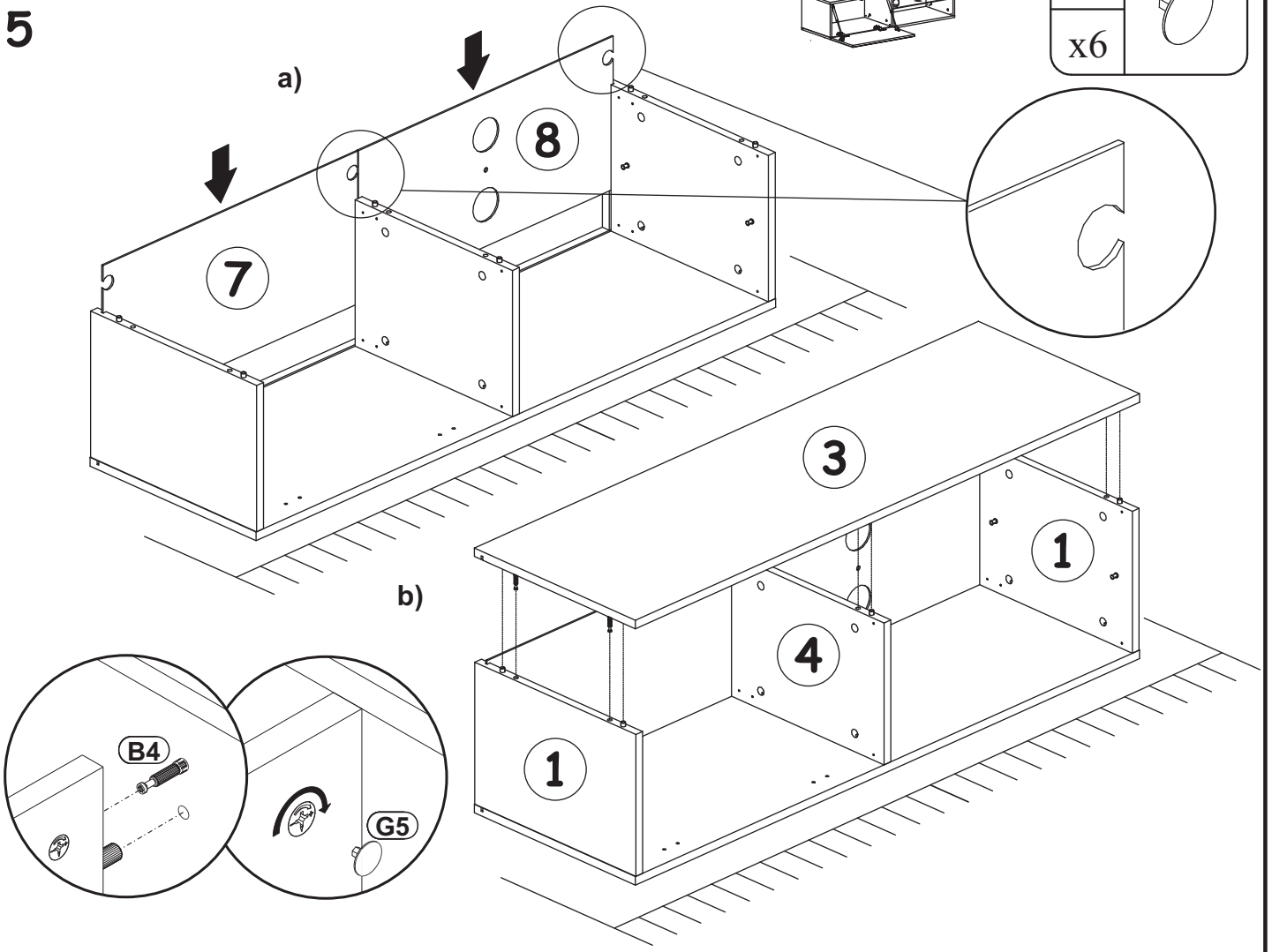


12 - 18



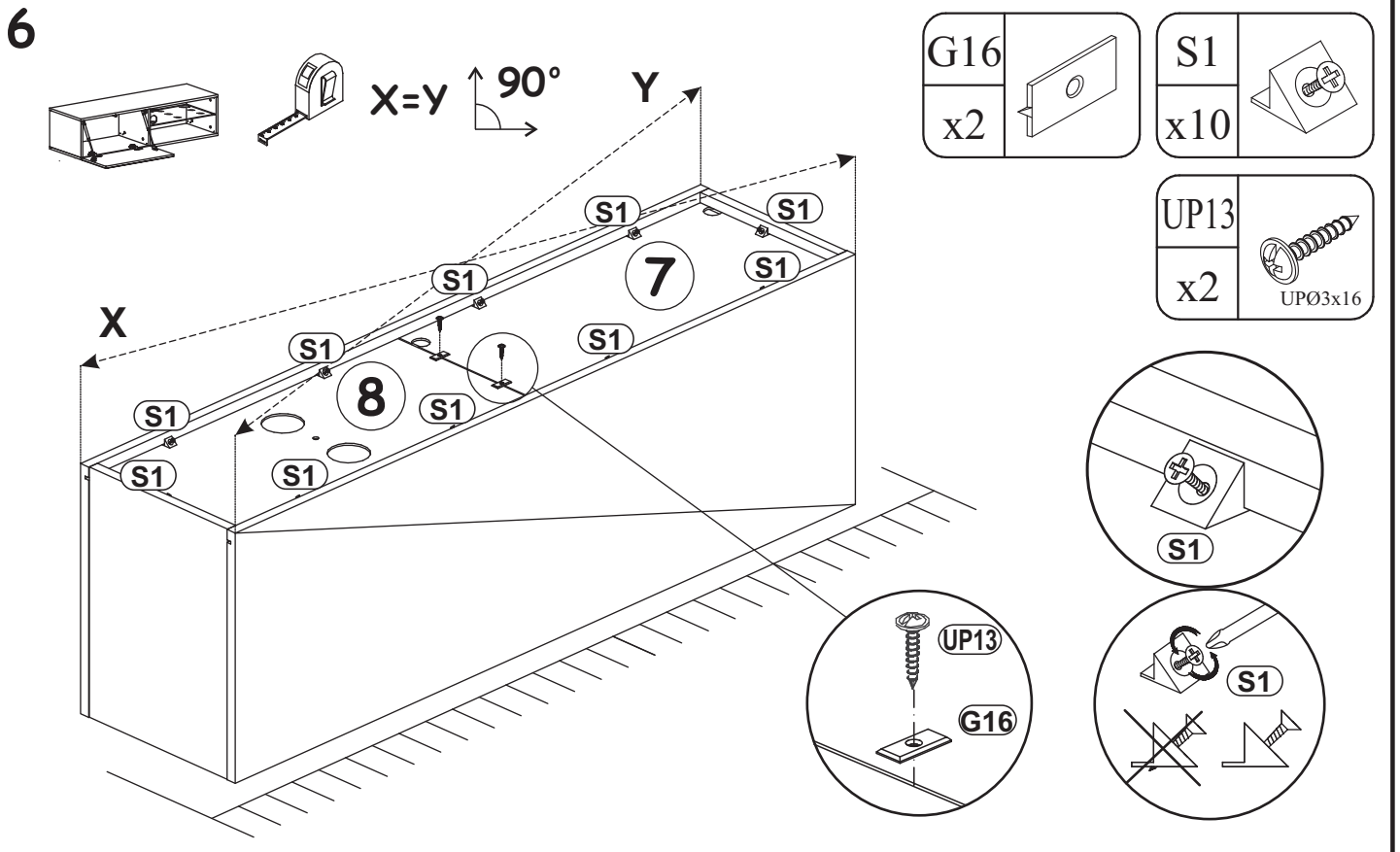
SWITCH RTV 4

5



G5	
x6	

6



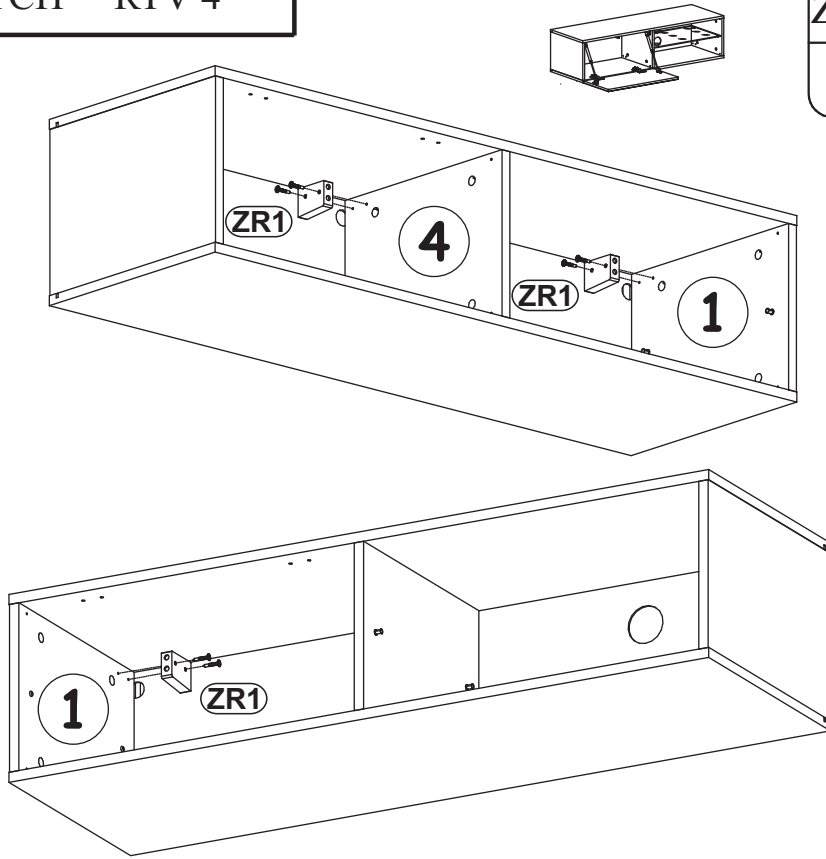
G16	
x2	

S1	
x10	

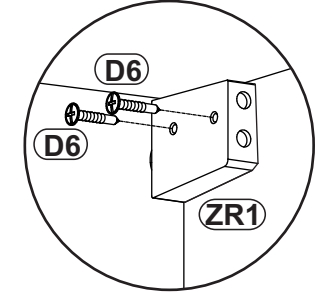
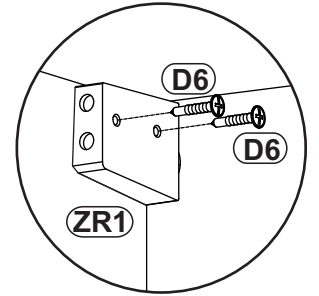
UP13	
x2	UPØ3x16

SWITCH RTV 4

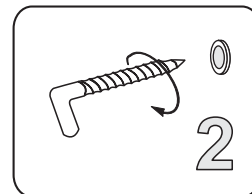
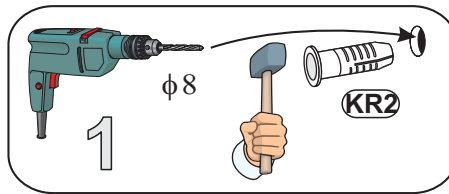
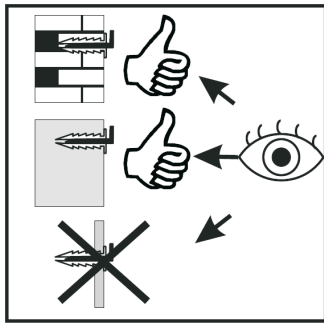
7



ZR1		D6	
x3		x6	US03,5x30

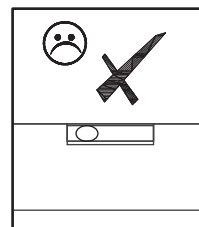
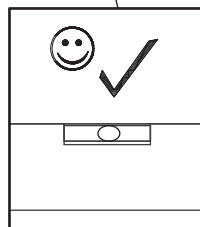
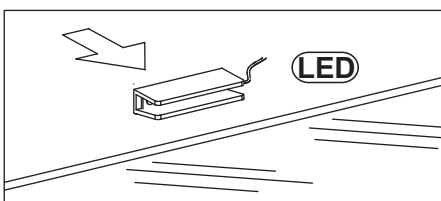
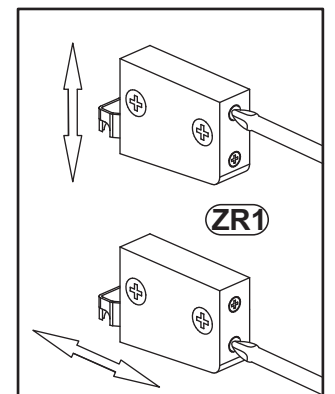
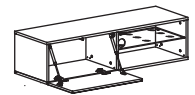
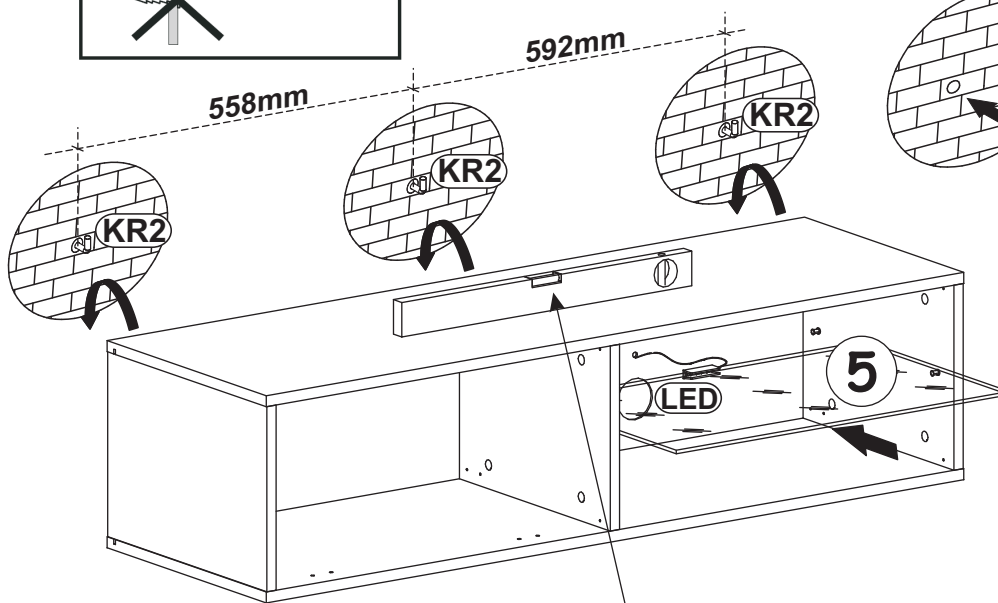


8



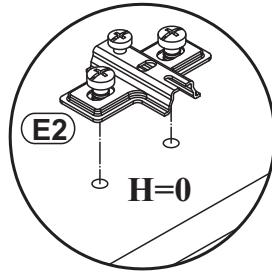
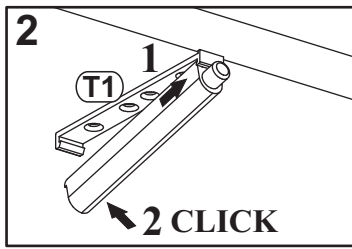
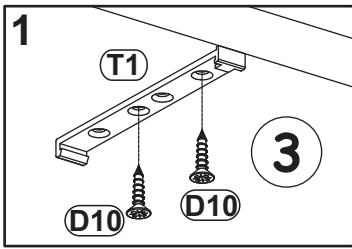
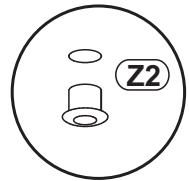
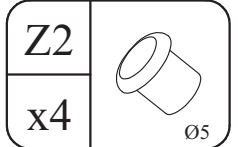
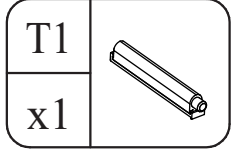
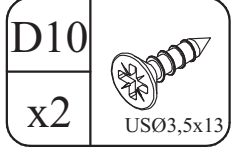
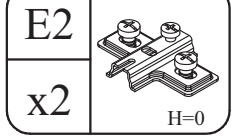
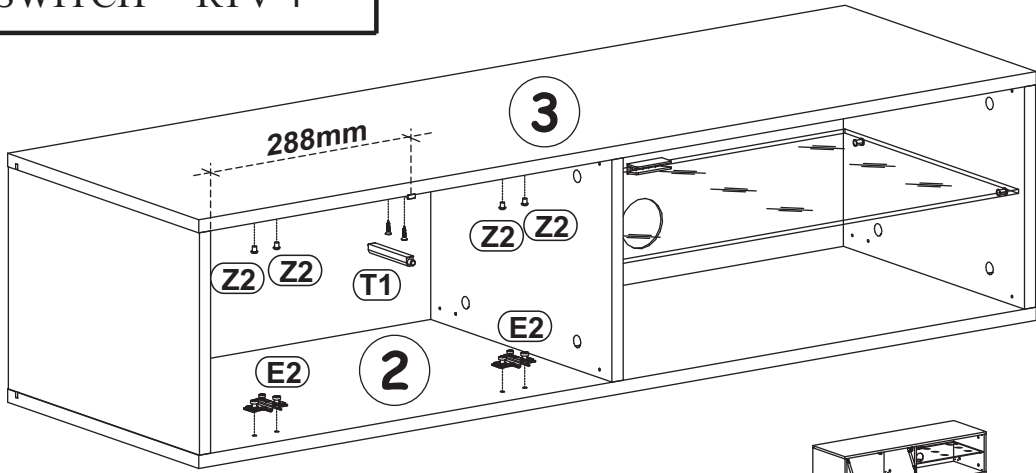
KR2	
x3	Ø8

LED	
x1	x1

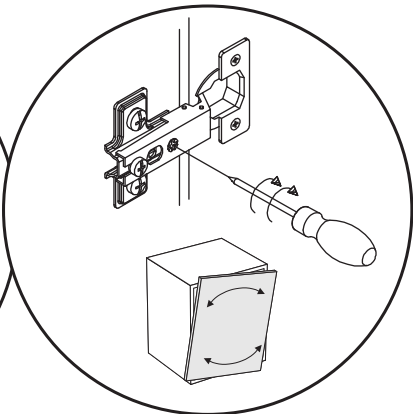
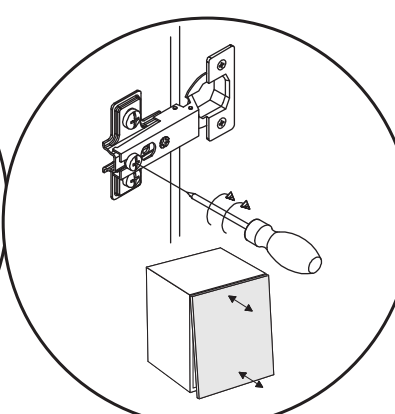
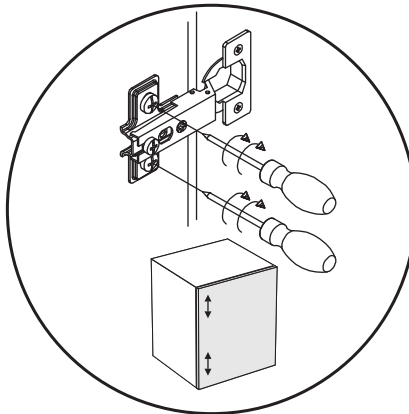
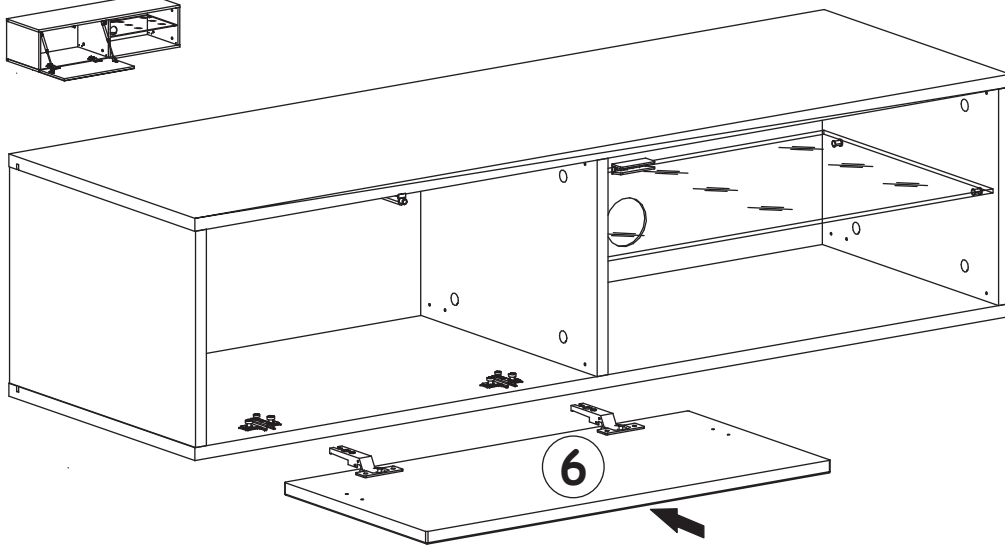
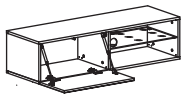


SWITCH RTV 4

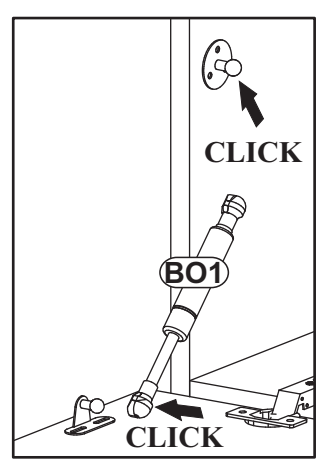
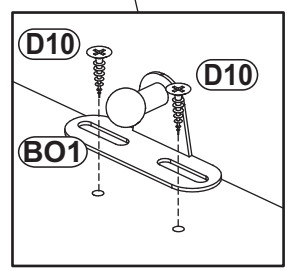
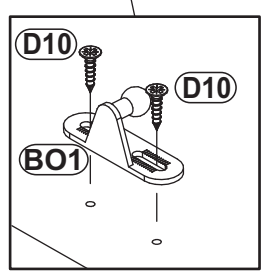
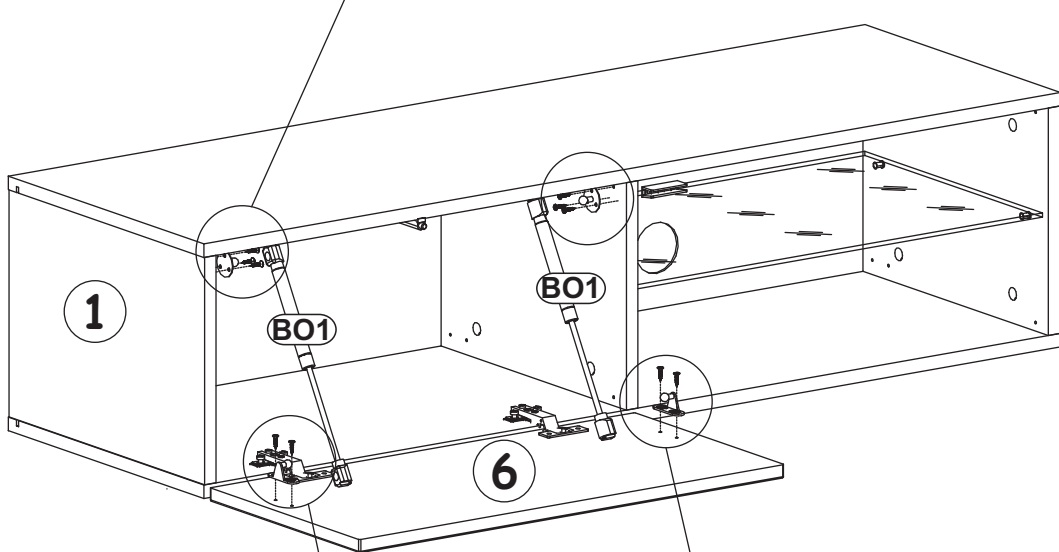
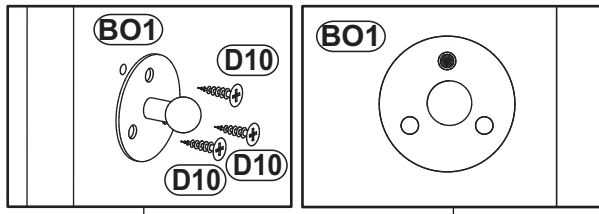
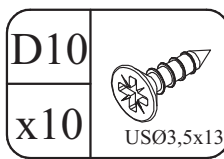
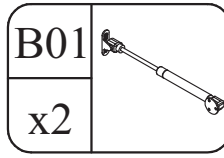
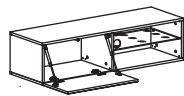
9



10

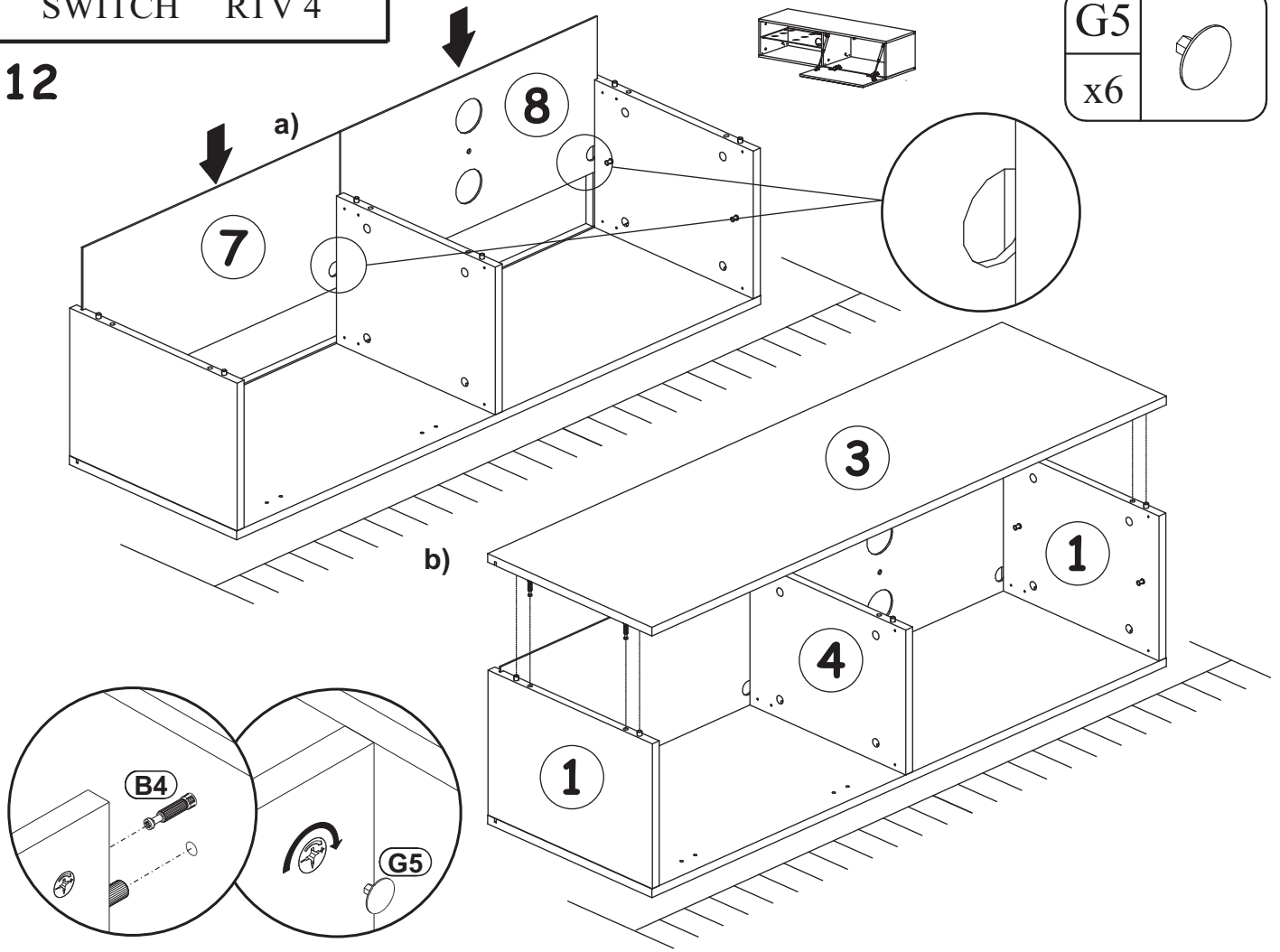


11



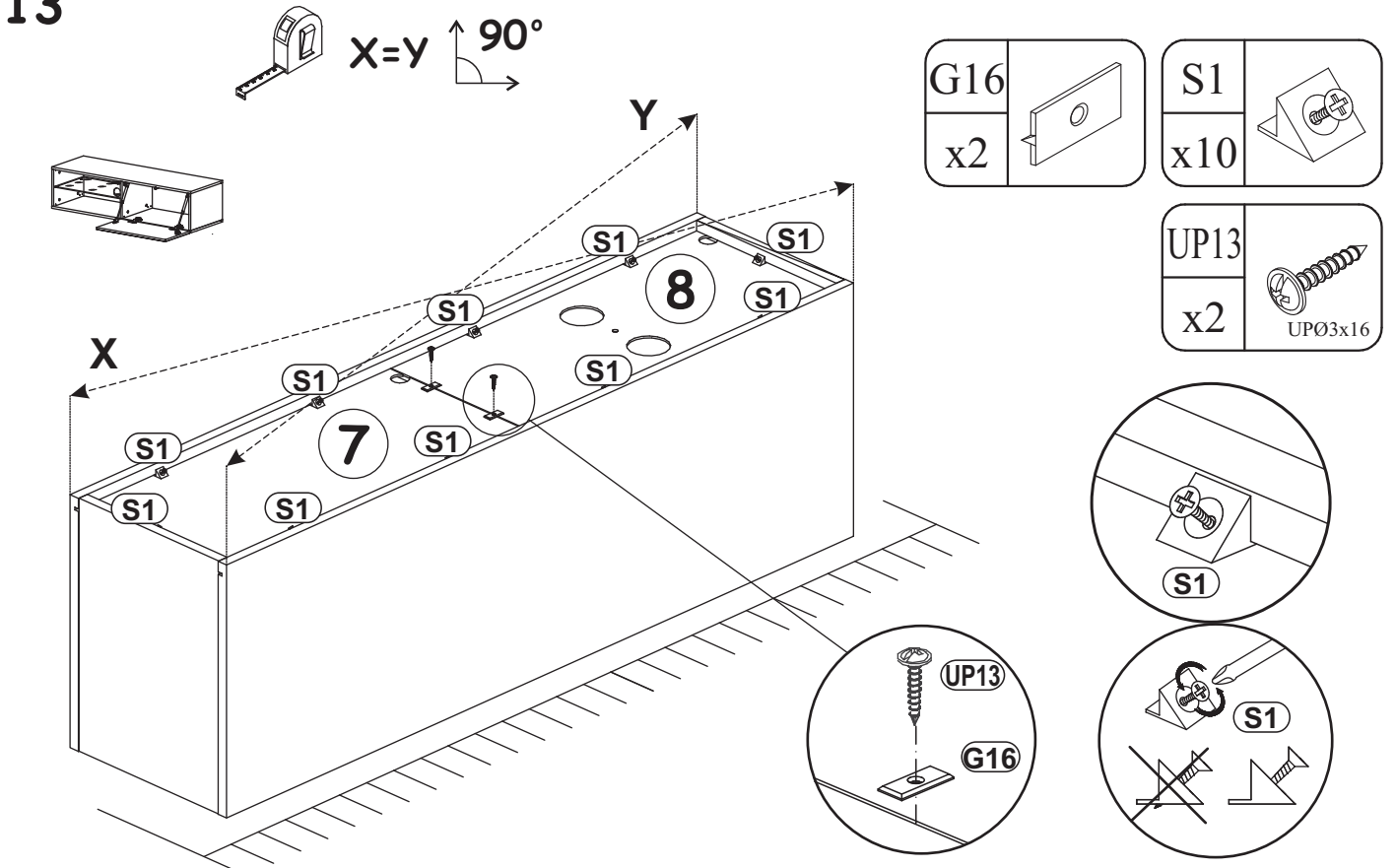
SWITCH RTV 4

12



G5	
x6	

13



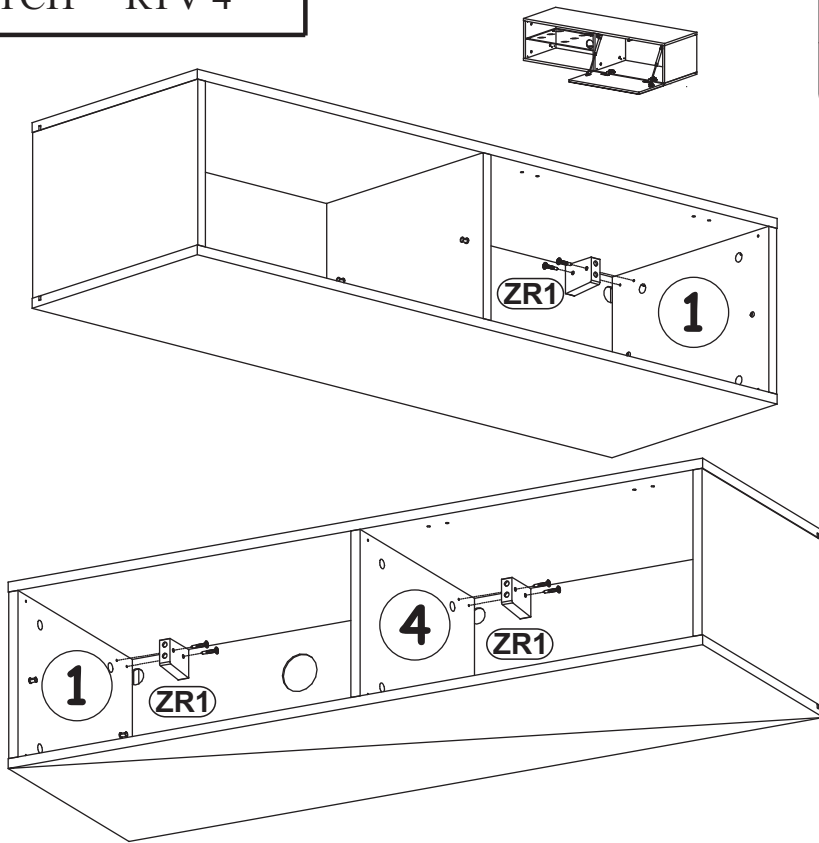
G16	
x2	

S1	
x10	

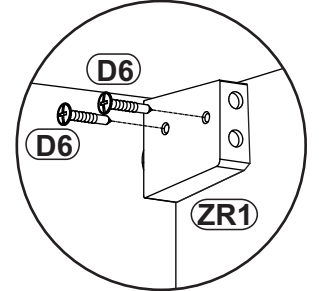
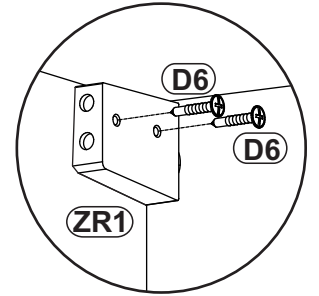
UP13	
x2	UPØ3x16

SWITCH RTV 4

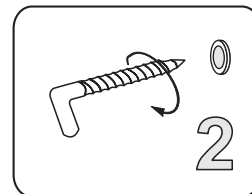
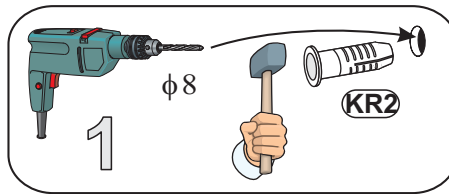
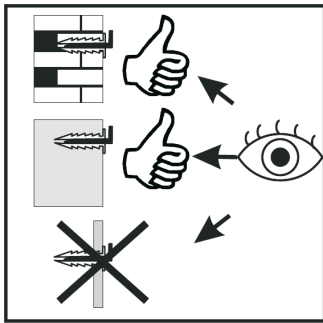
14



ZR1		D6	
x3		x6	US03,5x30

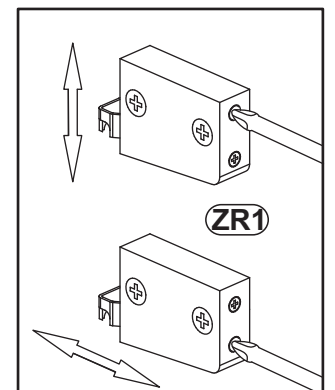
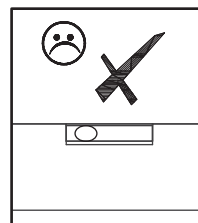
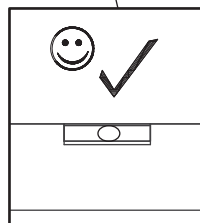
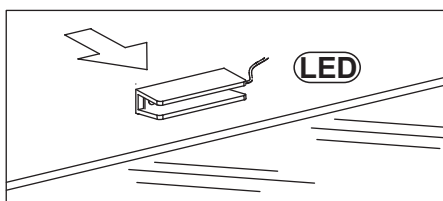
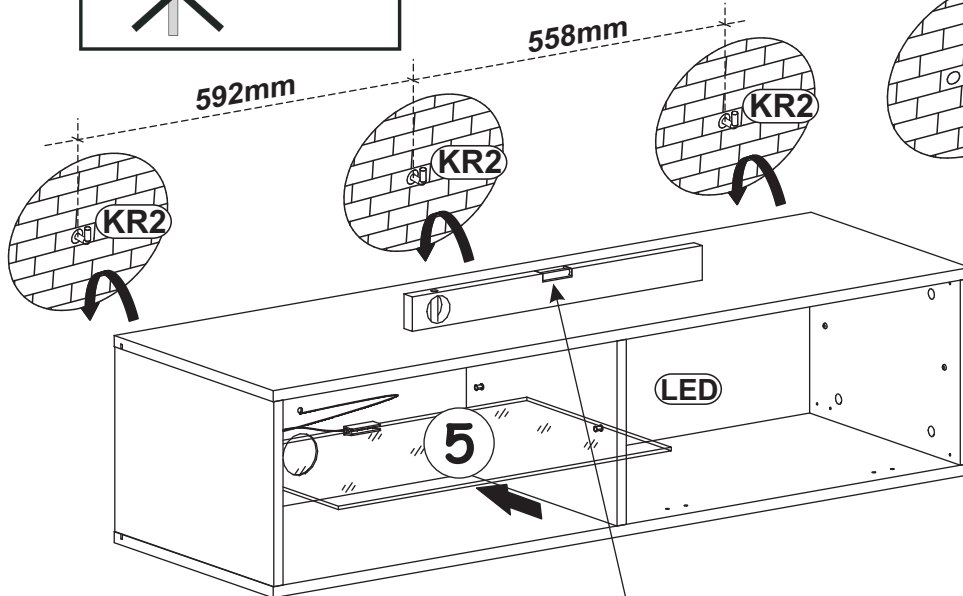


15



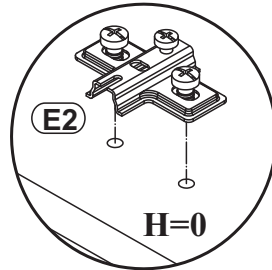
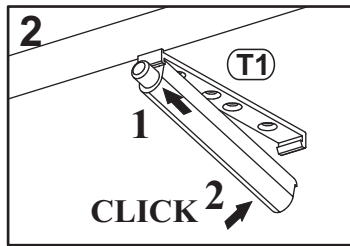
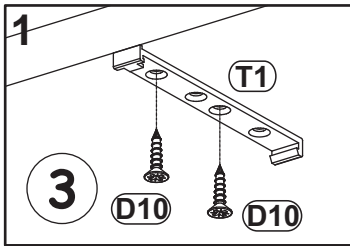
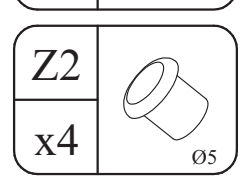
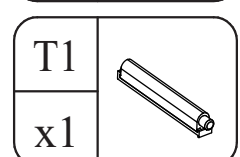
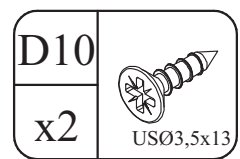
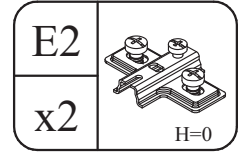
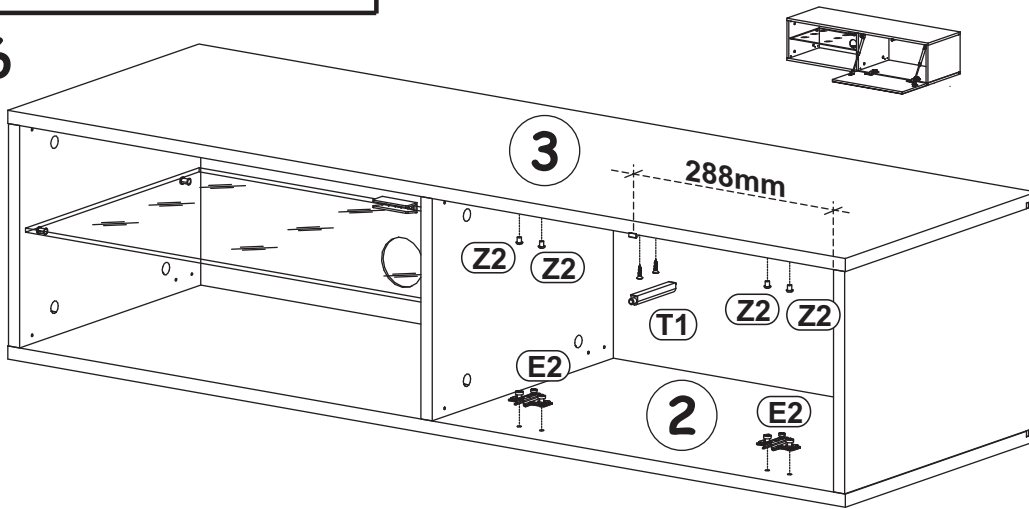
KR2	
x3	Ø8

LED	
x1	X1

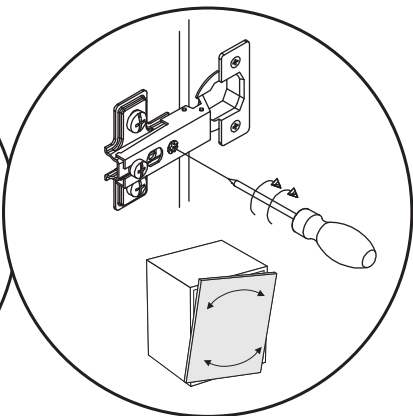
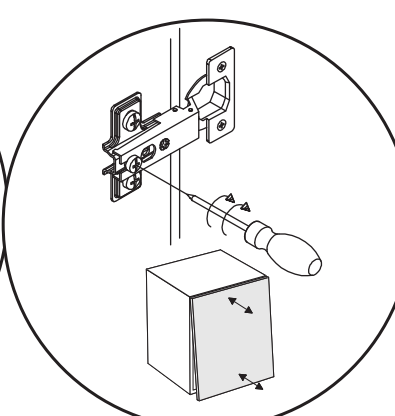
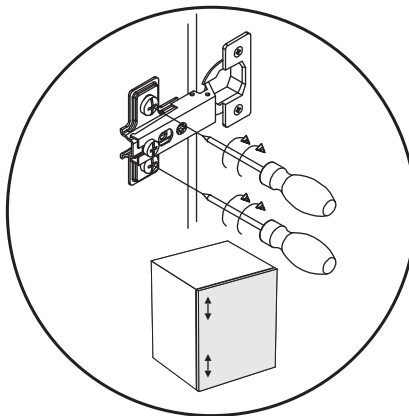
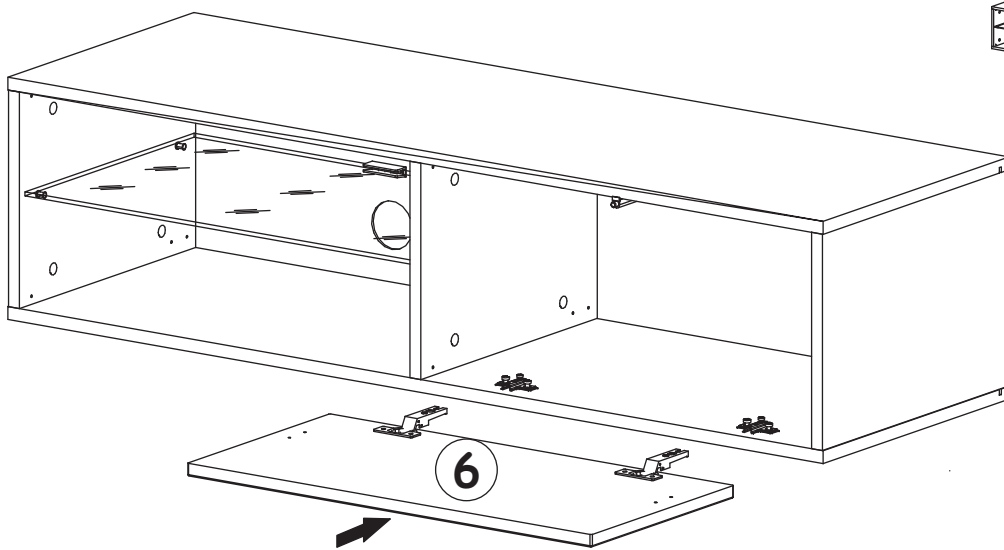


SWITCH RTV 4

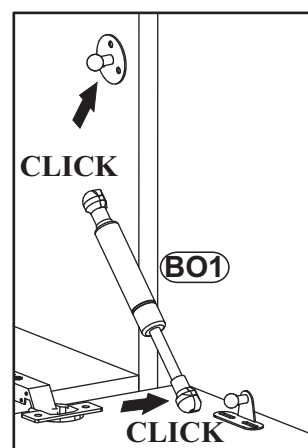
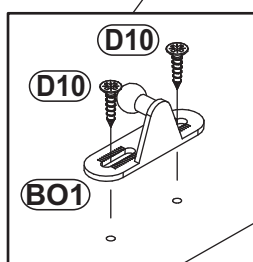
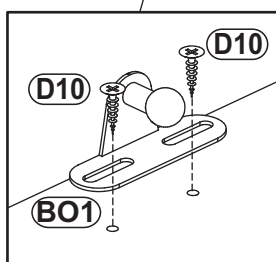
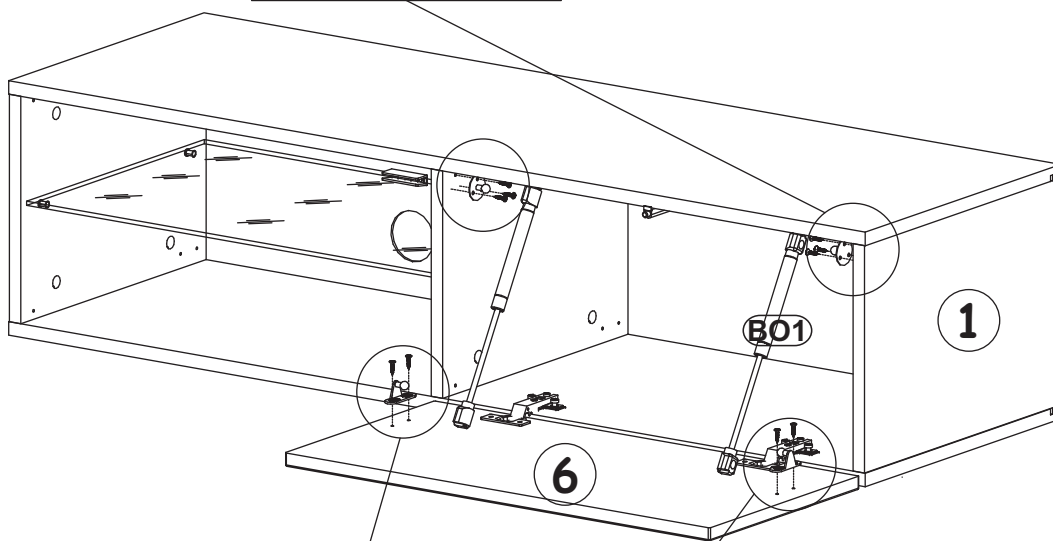
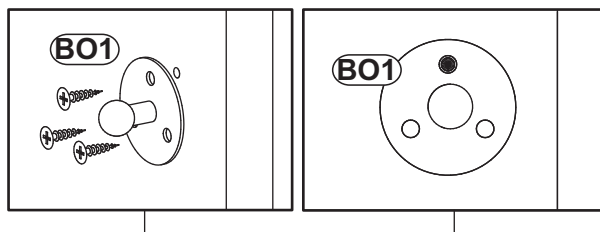
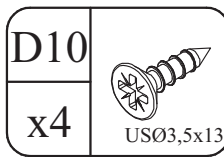
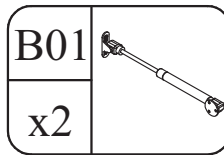
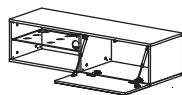
16



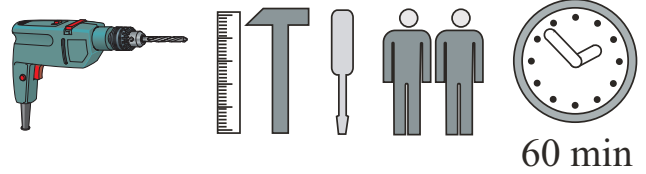
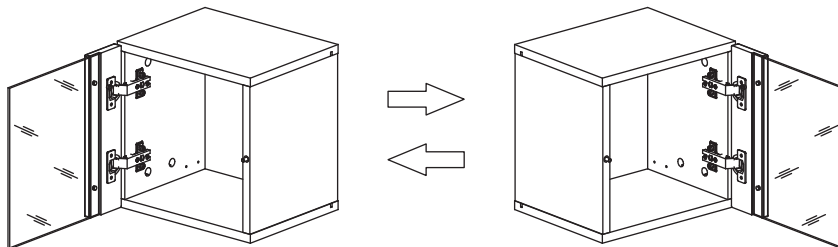
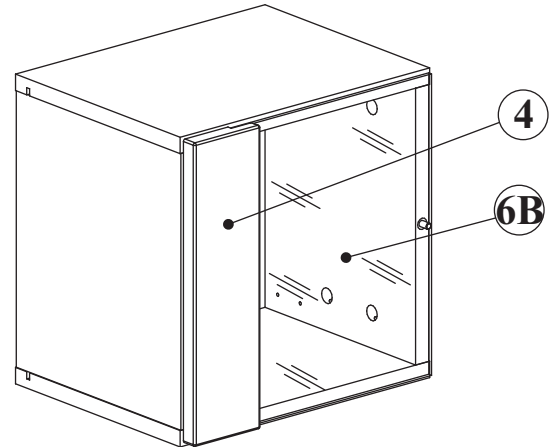
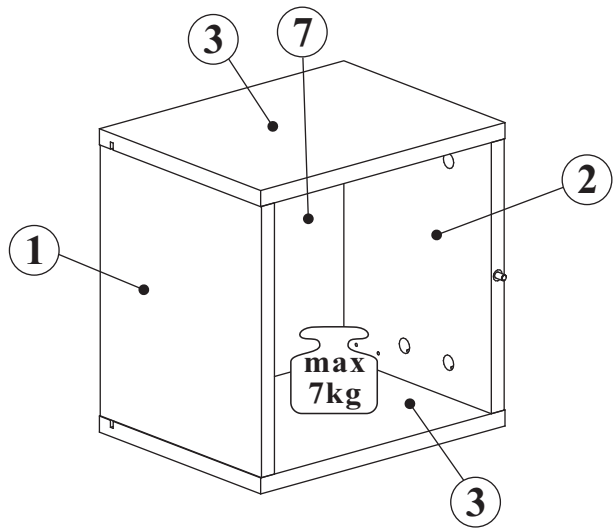
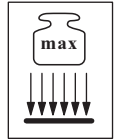
17



18



SWITCH 27 -- SW WW 5

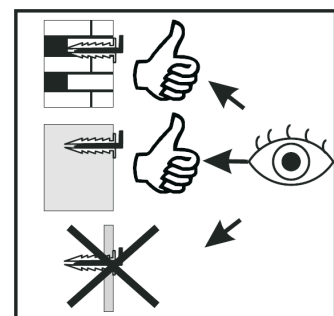
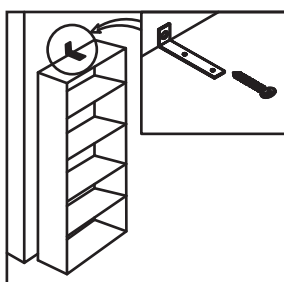
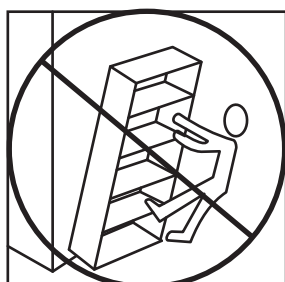
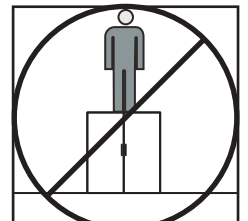
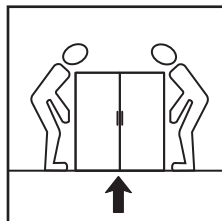
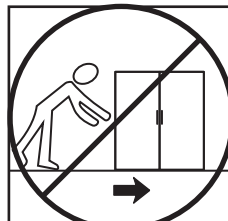
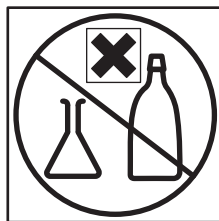
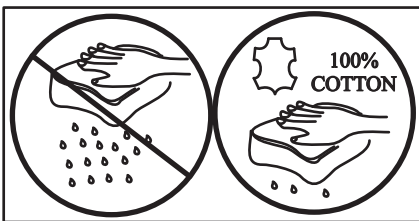
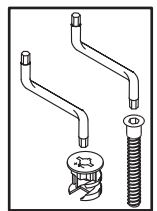
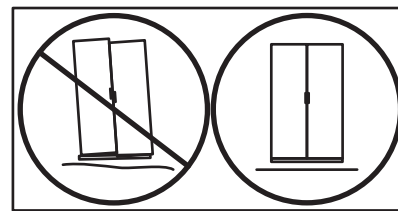
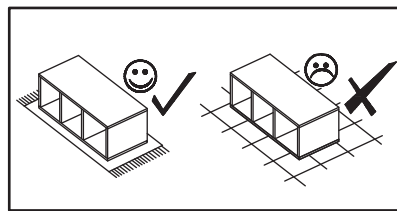
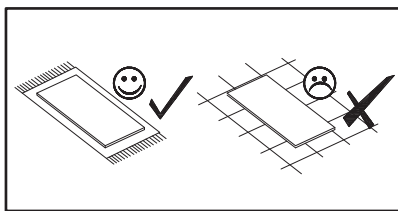
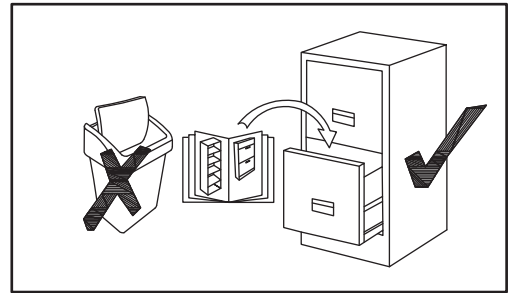
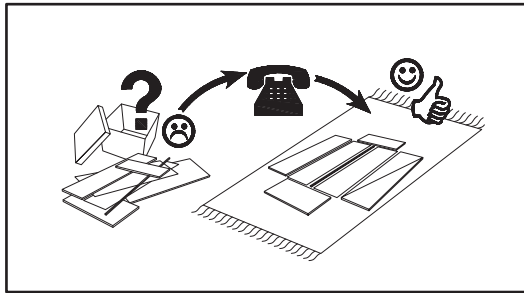
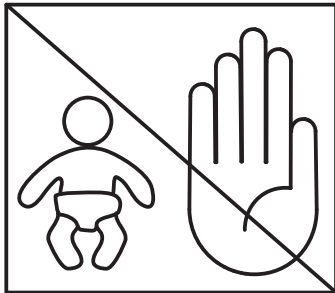
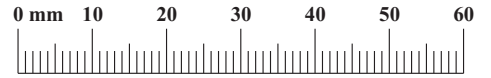


60 min

NO	Dim.			Col-No	Qty
1	270	234	16	1	1
2	270	234	16	1	1
3	302	234	16	1	2
7	282	280	3	1	1
4	80	296	16	1	1
6B	294	241	4	1	1

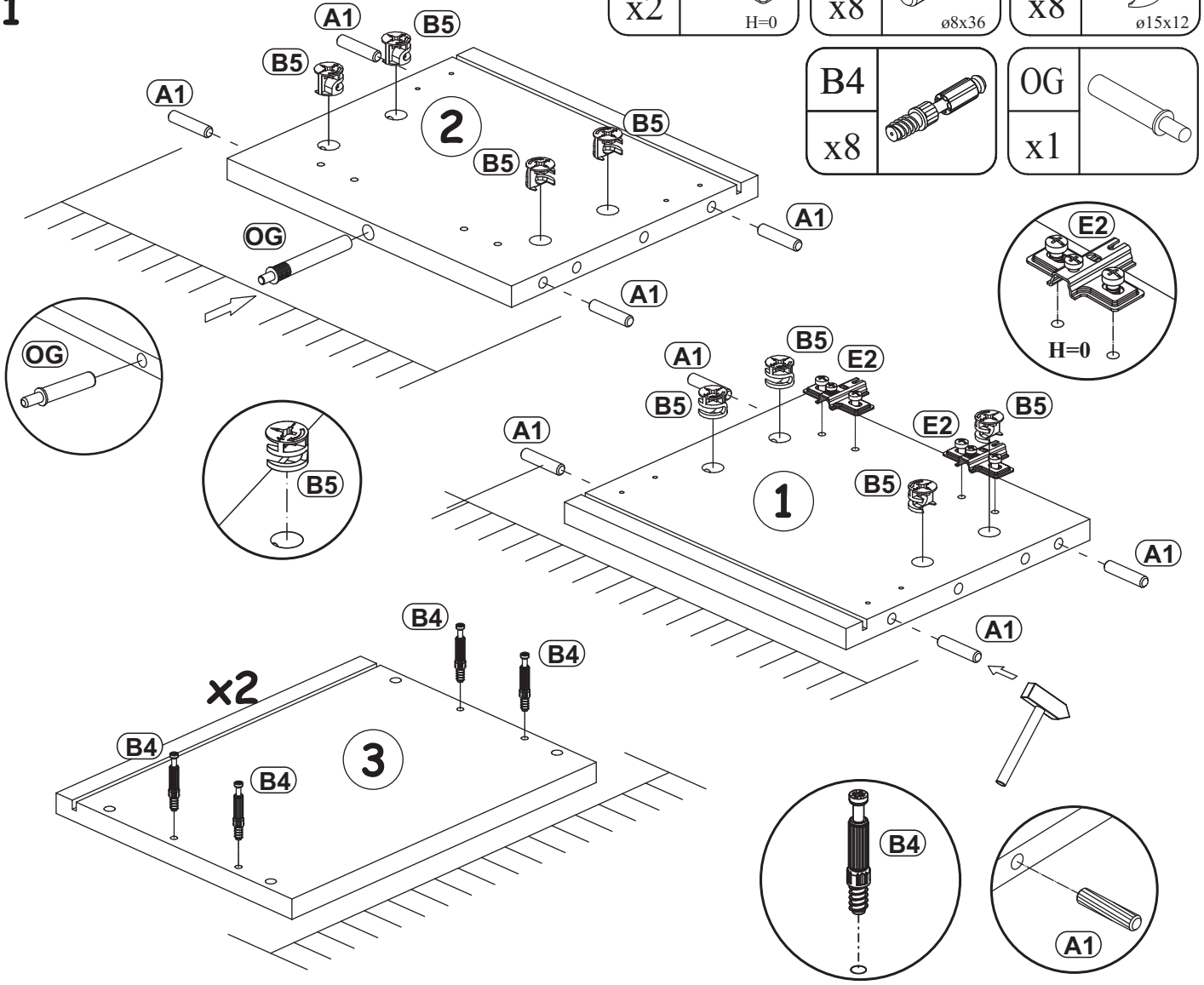
SWITCH WW 5

A1 x8 ø8x36	B4 x8	G5 x8	B5 x8 ø15x12	ZR1 x2	D6 x4 USØ3,5x30
E1 x2 Ø26 H=0	E2 x2 H=0	D10 x4 USØ3,5x13	OG x1	S1 x4	KR2 x2 Ø8
G2 x1	P2 x2	UP13 x2 UPØ3x16			



SWITCH WW 5

1



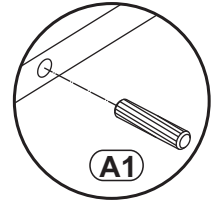
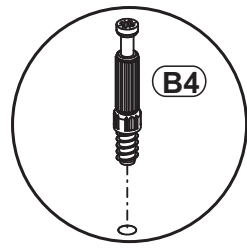
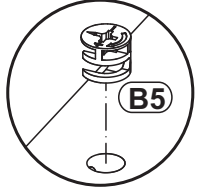
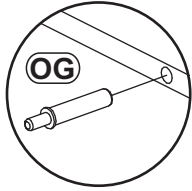
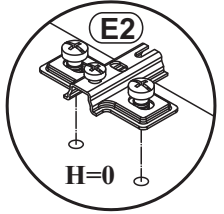
E2	
x2	H=0

A1	
x8	ø8x36

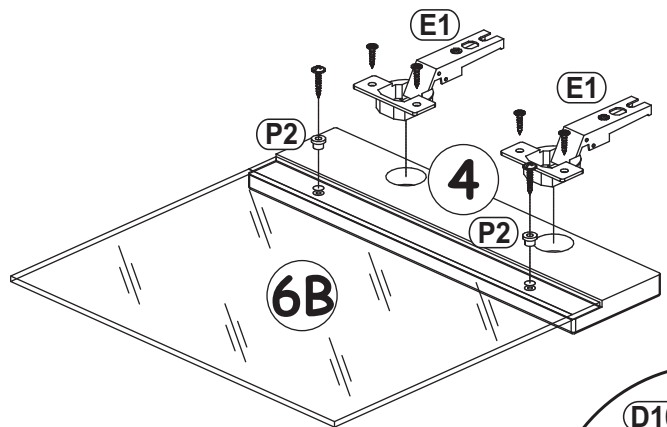
B5	
x8	ø15x12

B4	
x8	

OG	
x1	



2

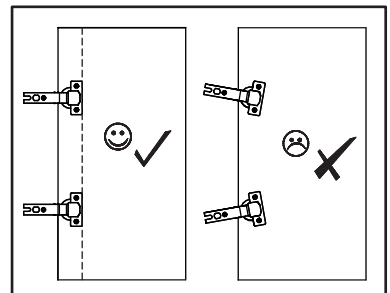
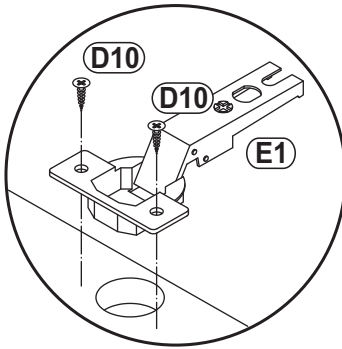
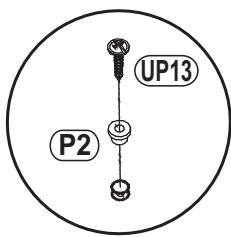


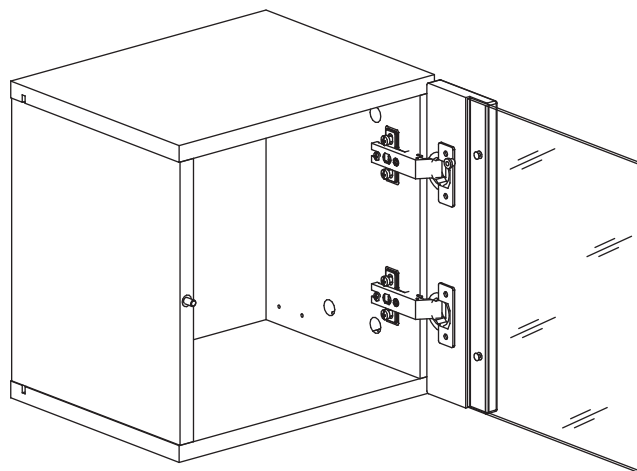
E1	
x2	Ø26 H=0

D10	
x4	USØ3,5x13

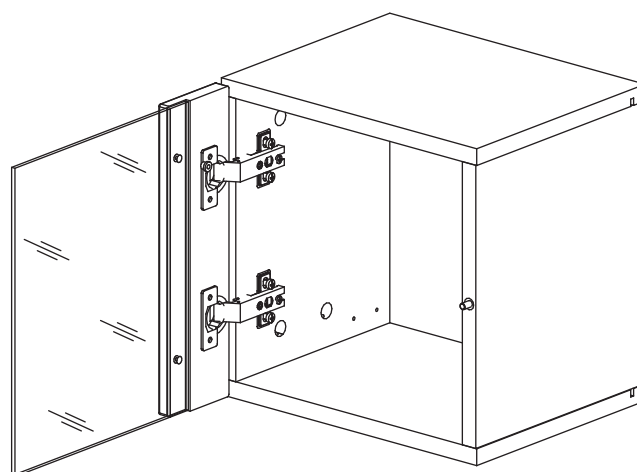
P2	
x2	

UP13	
x2	UPØ3x16





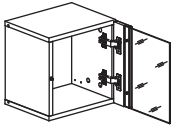
3 - 7




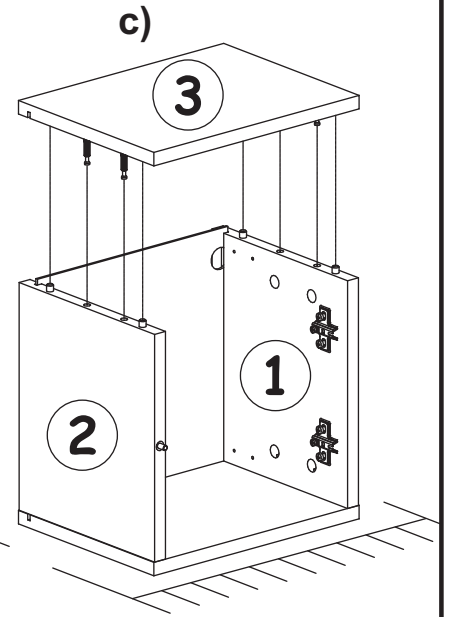
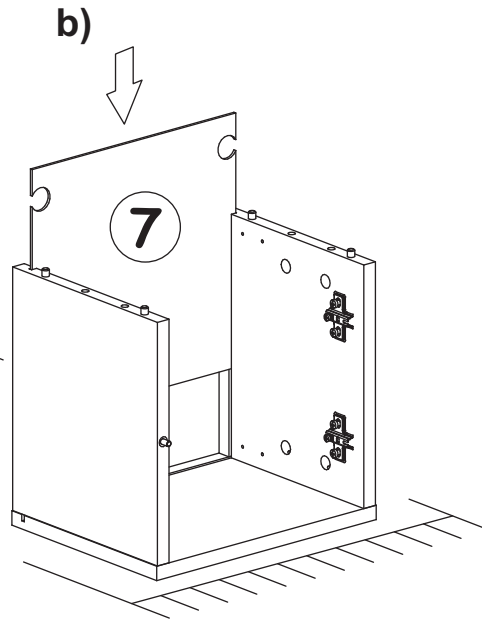
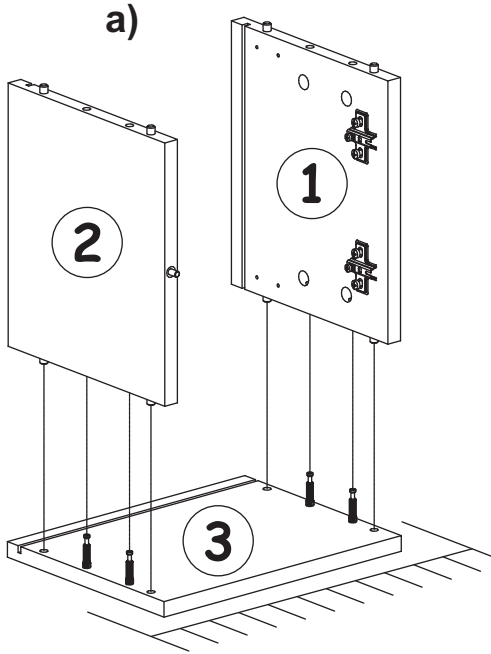
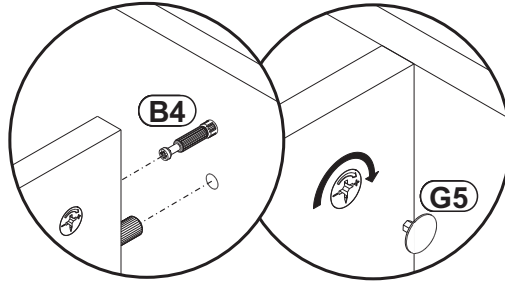
8 - 12

SWITCH WW 5

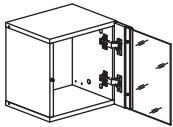
3

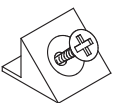


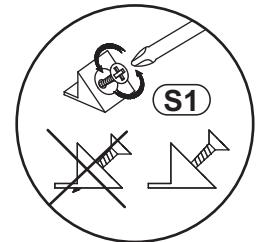
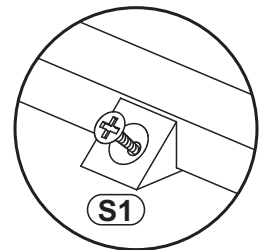
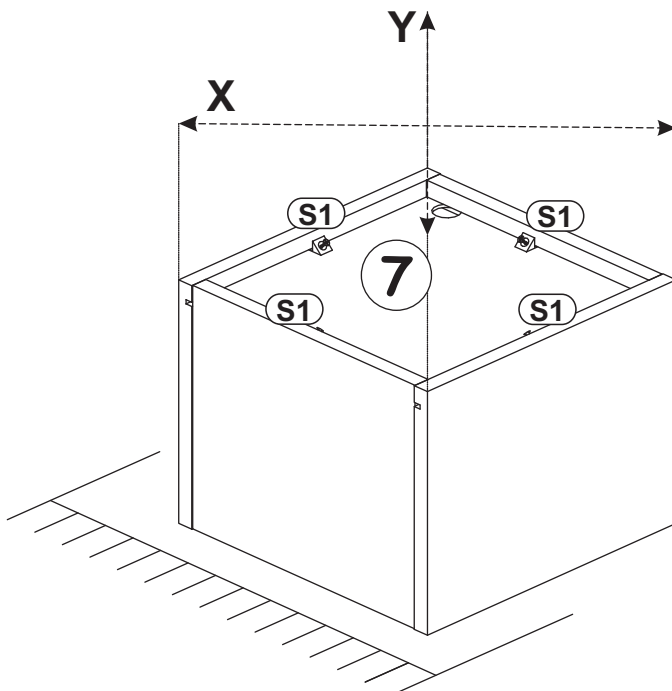
G5	
x8	



4

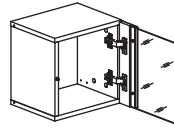


S1	
x4	

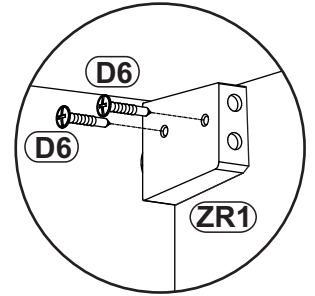
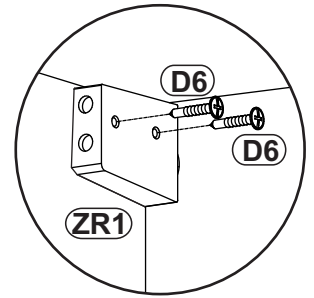
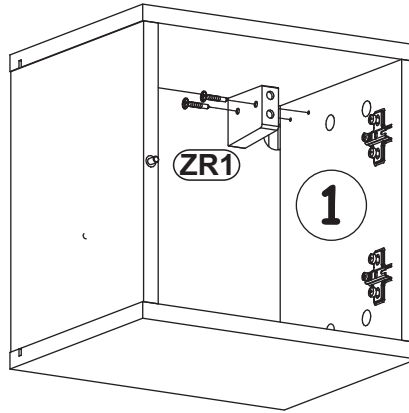
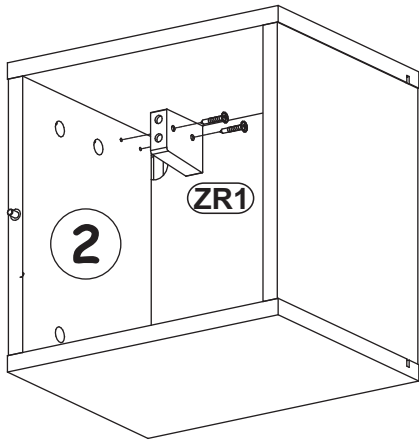


SWITCH WW 5

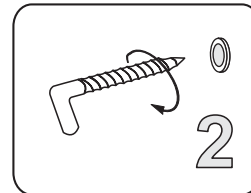
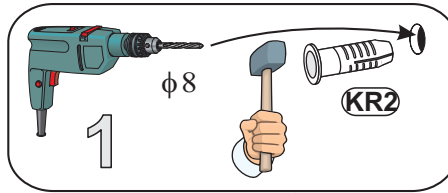
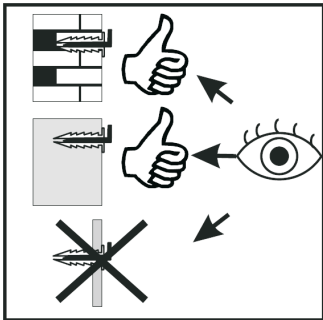
5



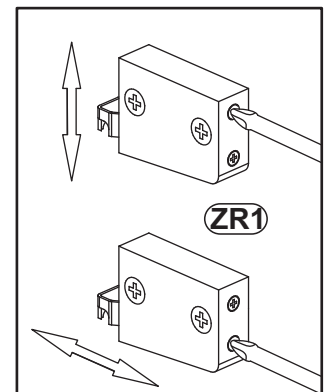
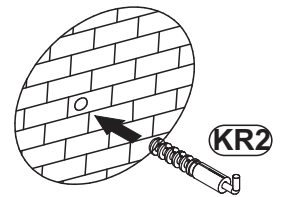
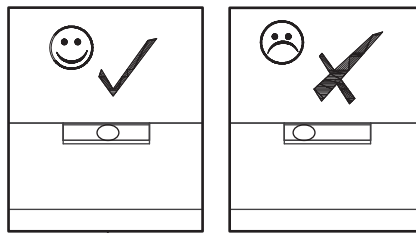
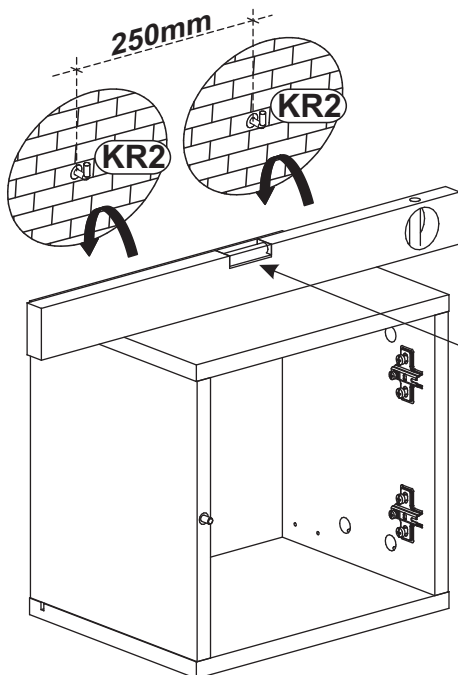
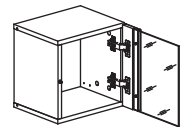
ZR1		D6	
x2		x4	USØ3,5x30



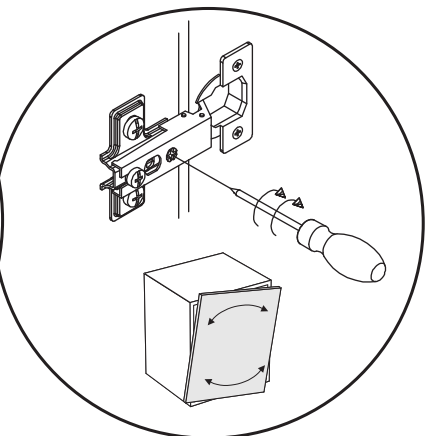
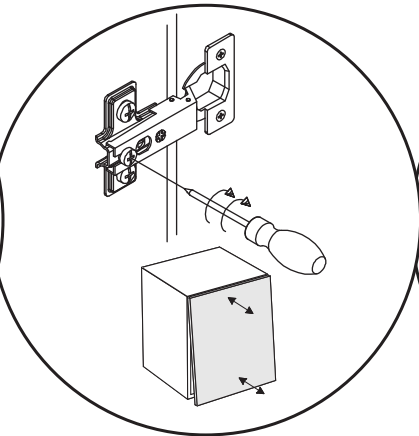
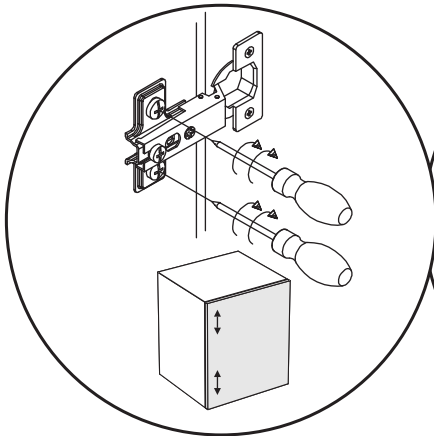
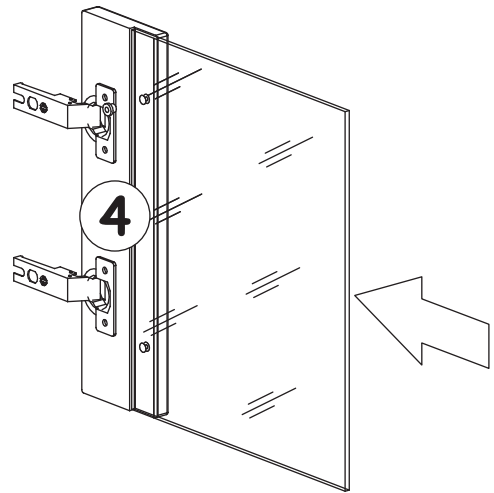
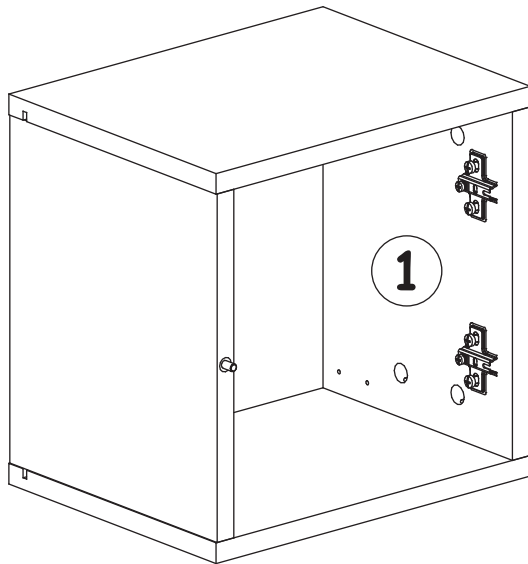
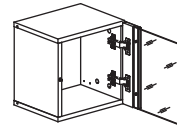
6



KR2	
x2	Ø8

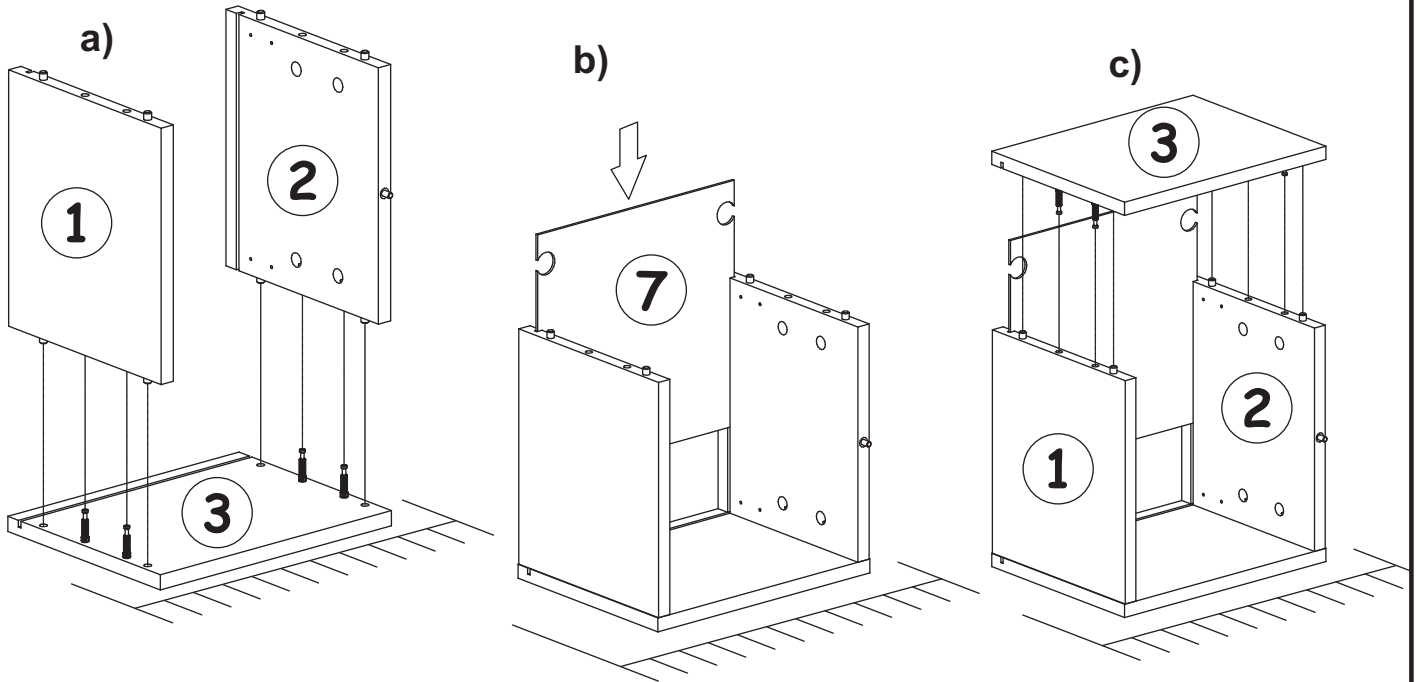
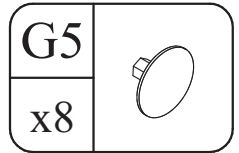
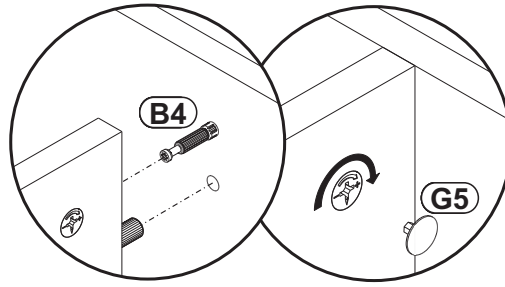
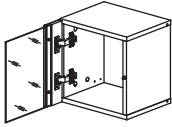


7

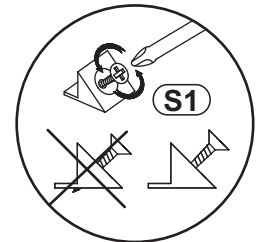
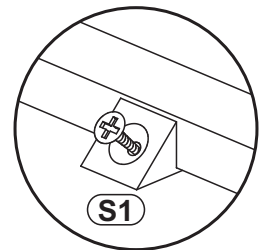
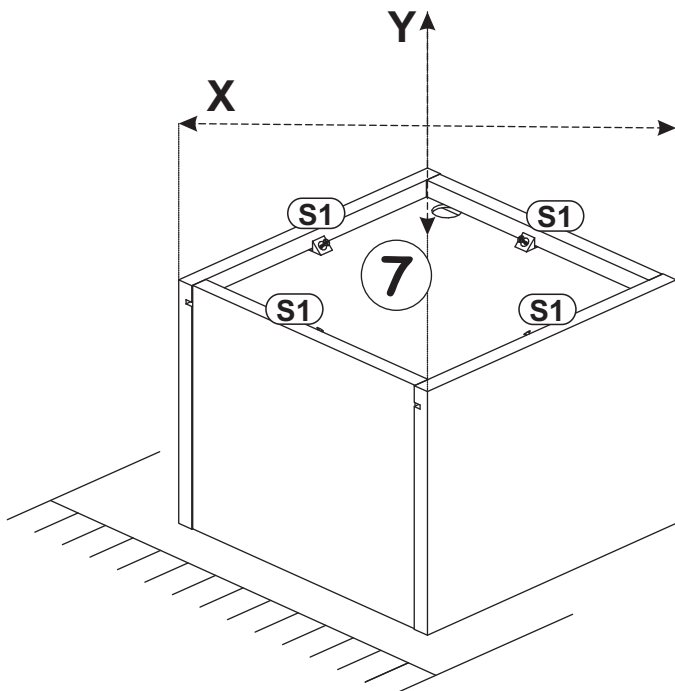
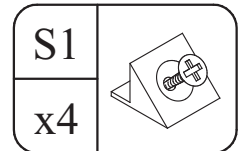
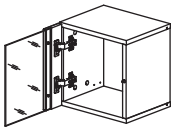


SWITCH WW 5

8

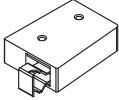



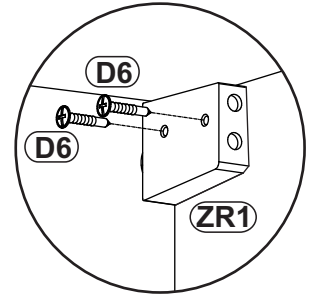
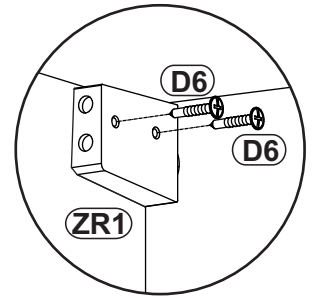
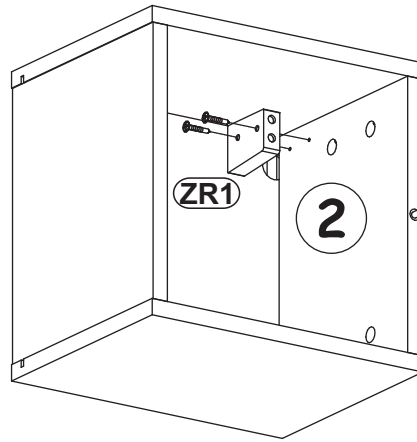
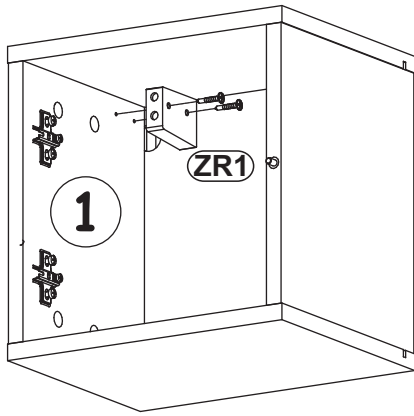
9



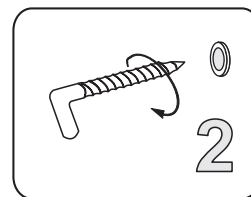
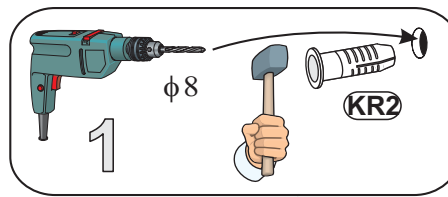
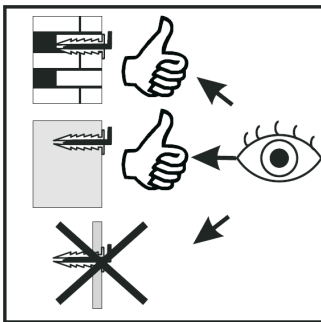
SWITCH WW 5

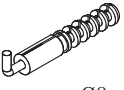
10

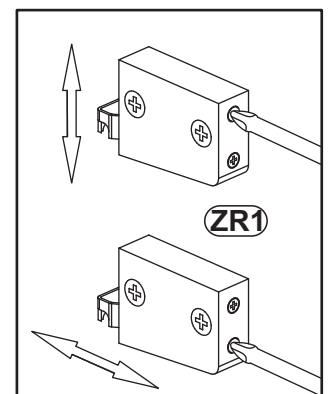
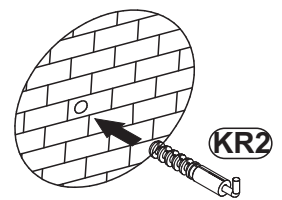
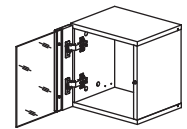
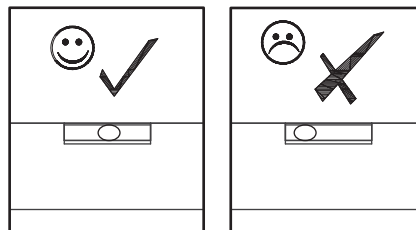
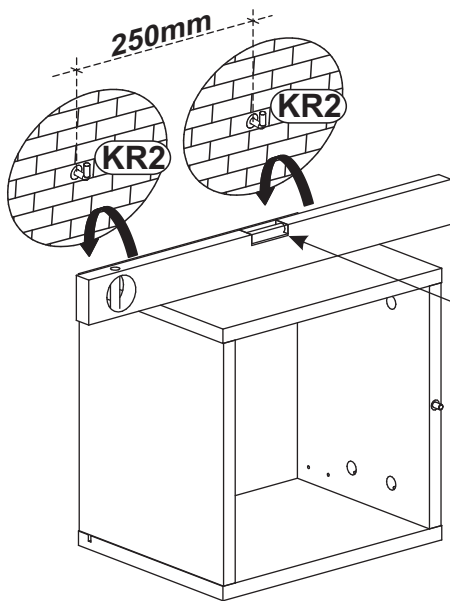
ZR1		D6	
x2		x4	US03,5x30



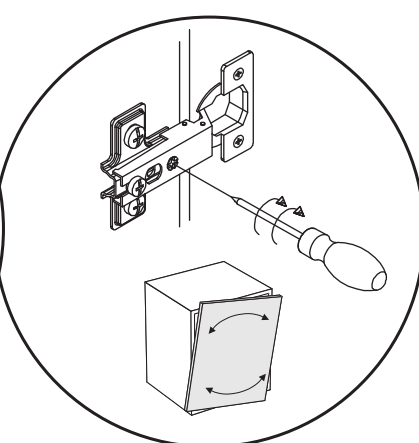
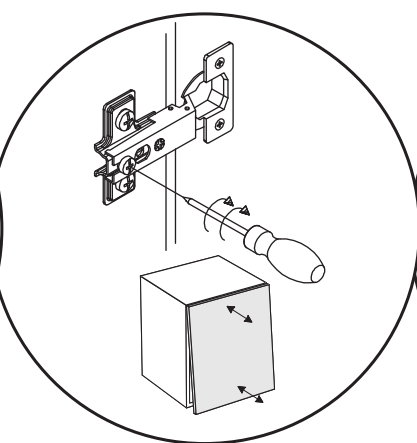
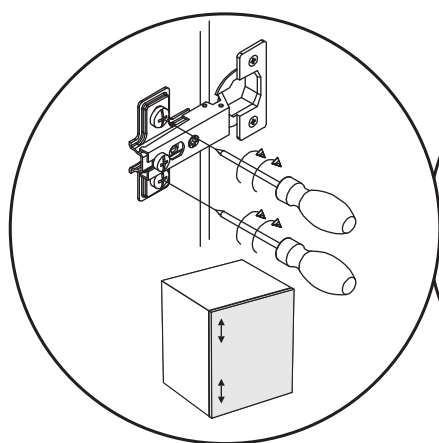
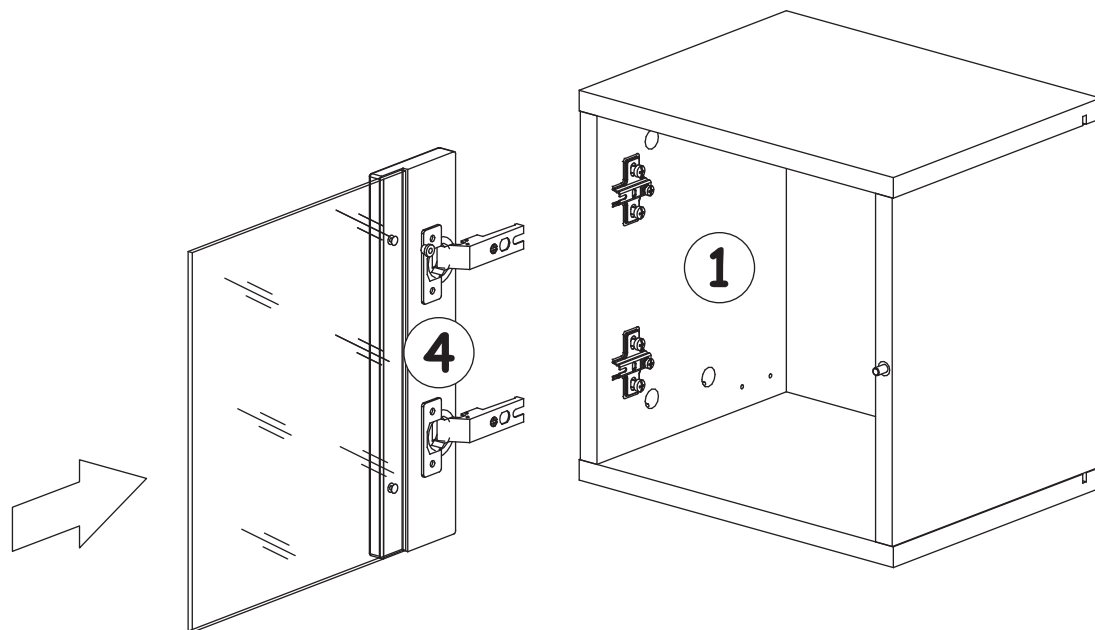
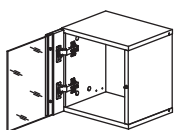
11



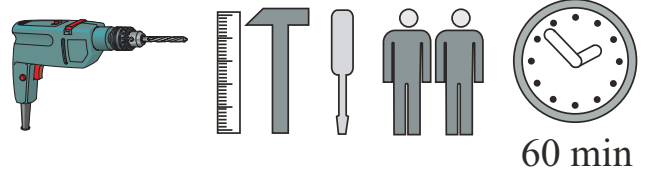
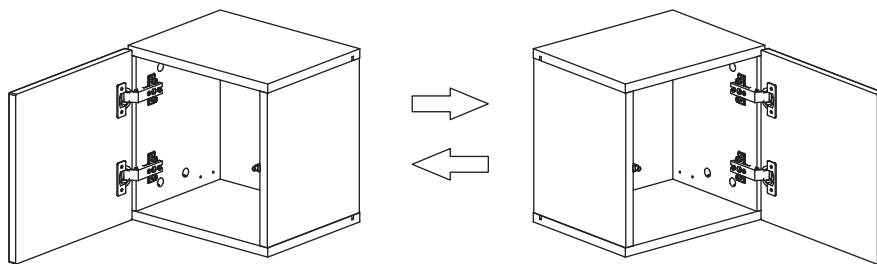
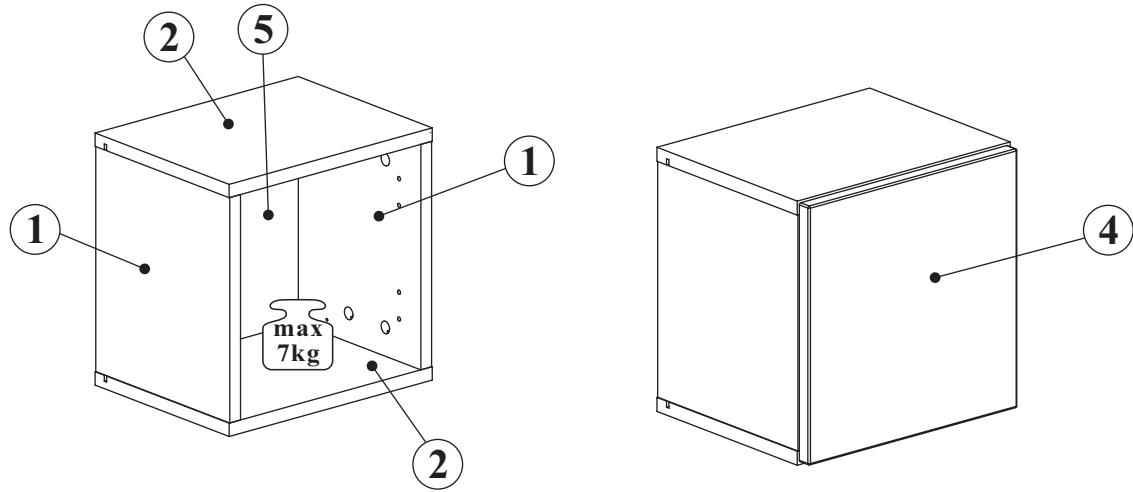
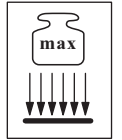
KR2	
x2	Ø8



12



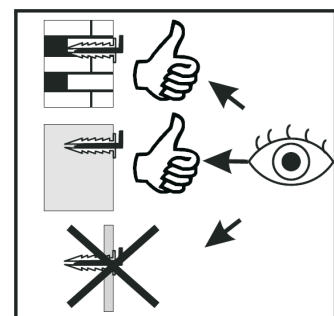
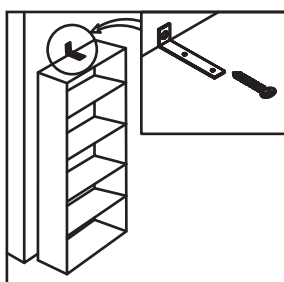
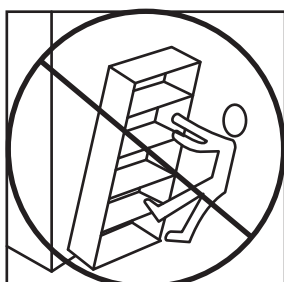
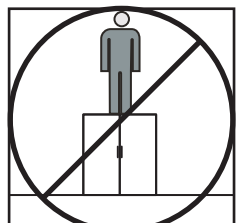
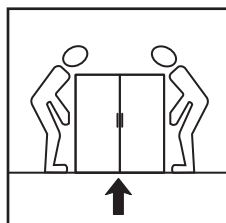
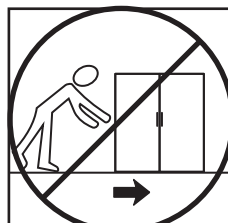
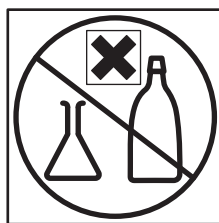
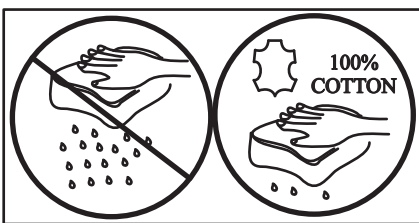
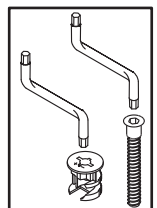
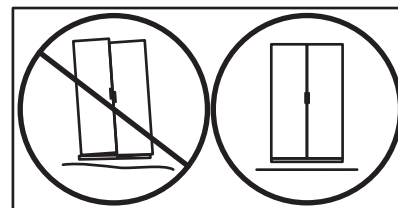
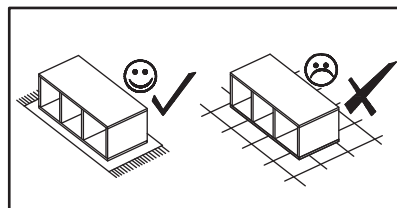
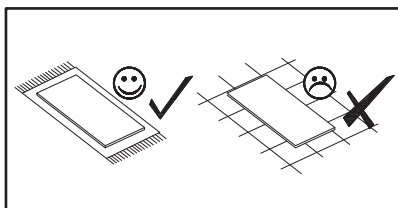
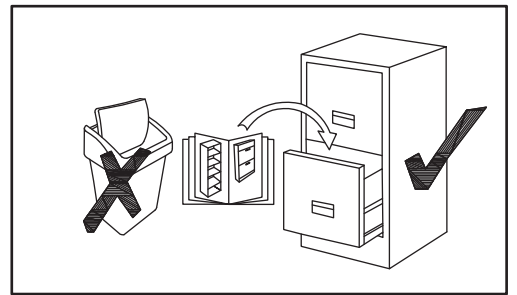
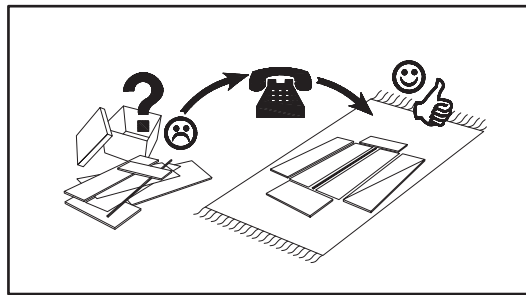
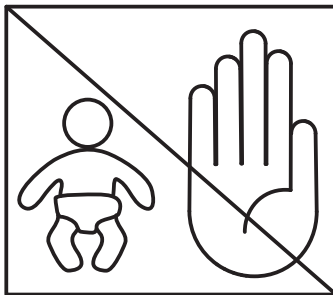
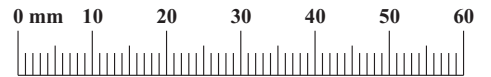
SWITCH 27 -- SW SW 5



NO	Dim.			Col-No	Qty
1	270	234	16	1	2
2	302	234	16	1	2
5	282	280	3	1	1
4	296	296	16	1	1

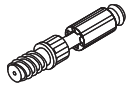
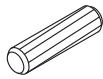
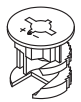
SWITCH SW 5

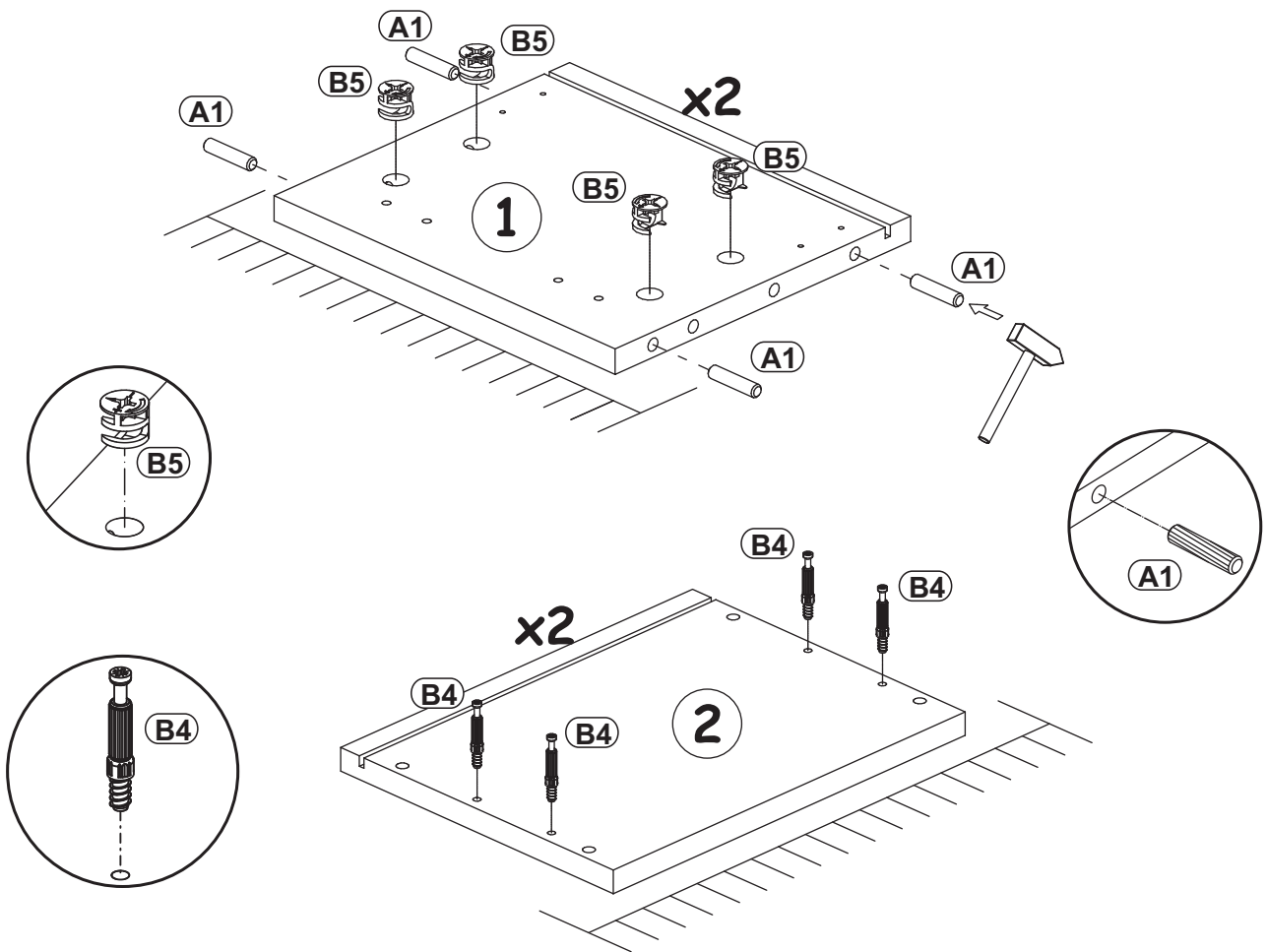
A1 x8 ø8x36	B4 x8	G5 x8	B5 x8 ø15x12	ZR1 x2	D6 x4 USØ3,5x30
E1 x2 Ø26 H=0	E2 x2 H=0	D10 x6 USØ3,5x13	T1 x1	S1 x4	KR2 x2 Ø8
G2 x1	Z2 x4 Ø5				




SWITCH SW 5

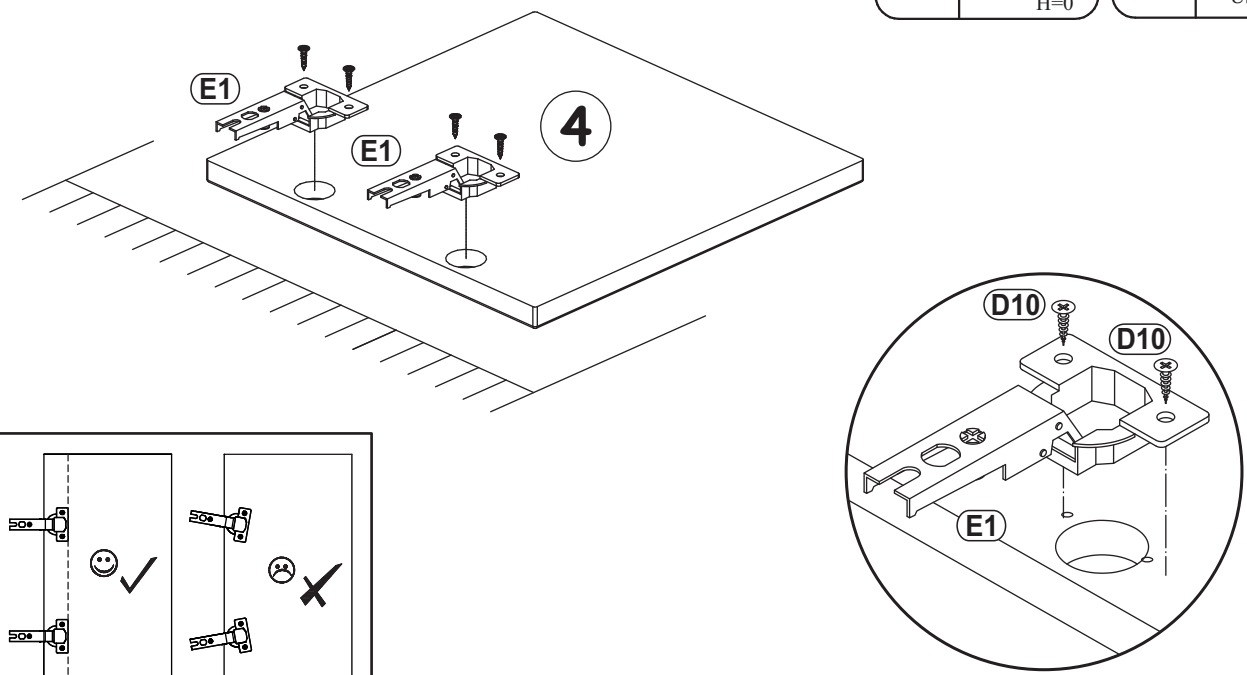
1

B4		A1		B5	
x8		x8	ø8x36	x8	ø15x12




2

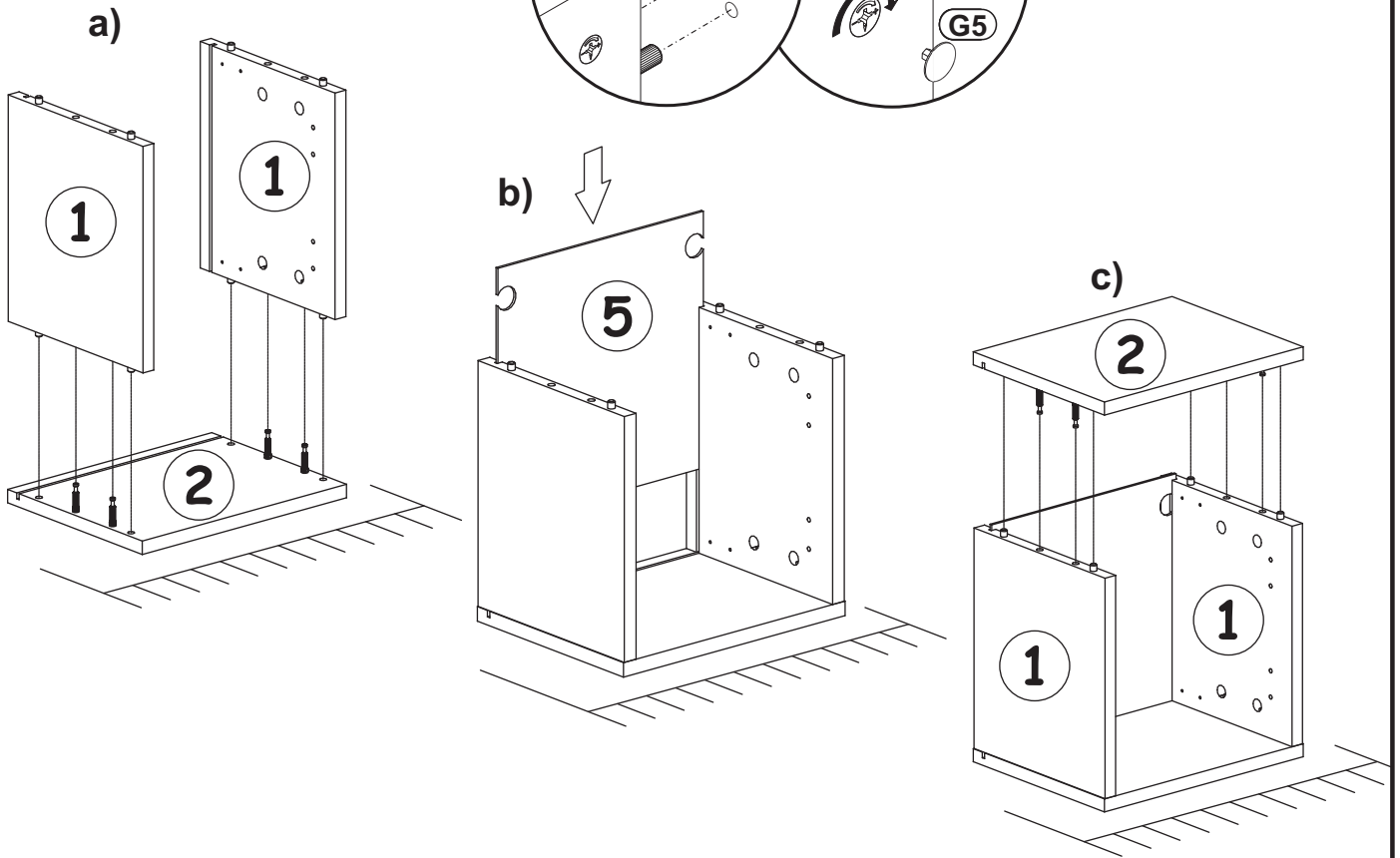
E1	Ø26	D10	
x2	H=0	x4	USØ3,5x13



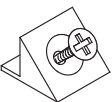
SWITCH SW 5

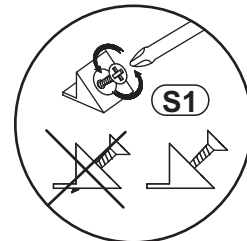
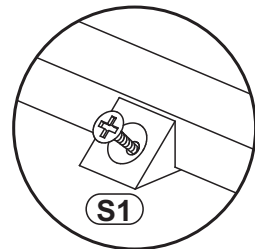
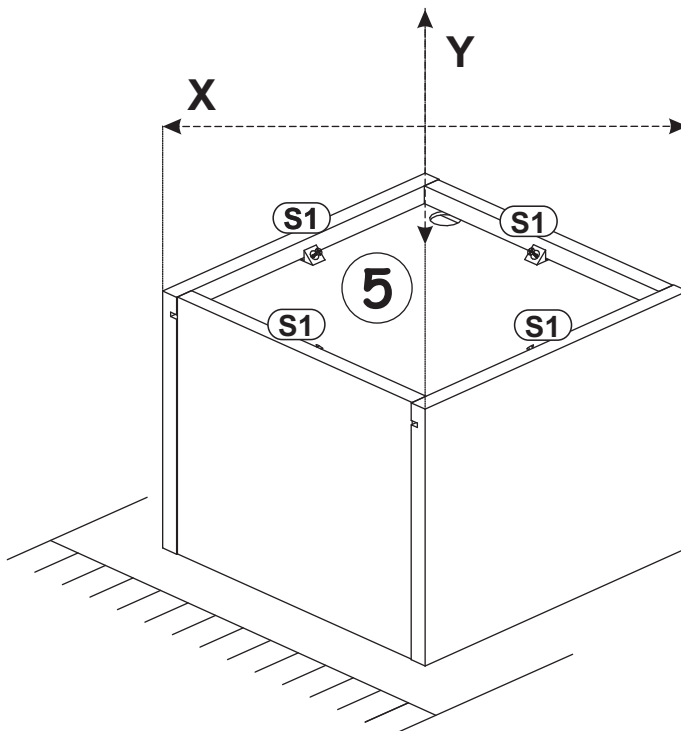
3

G5	
x8	



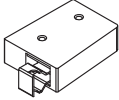

4

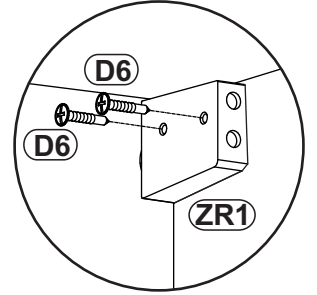
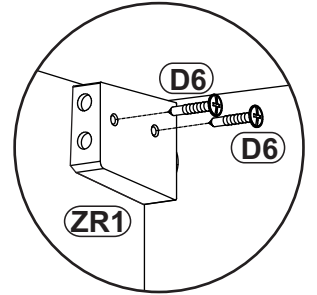
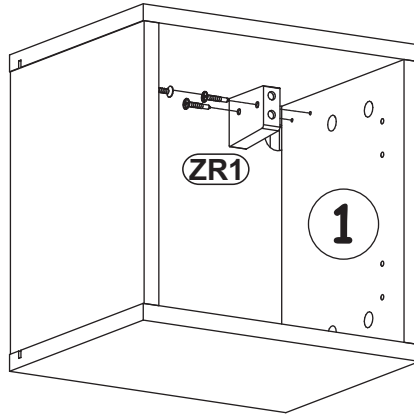
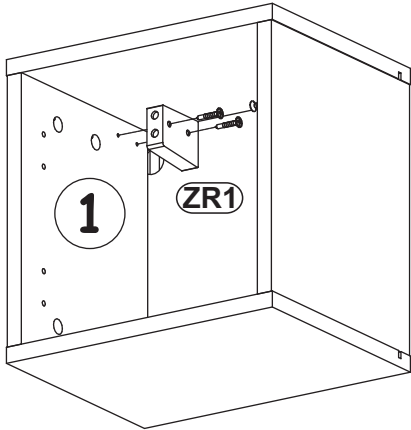
S1	
x4	



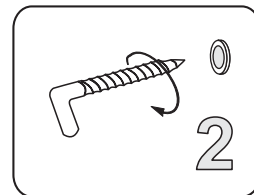
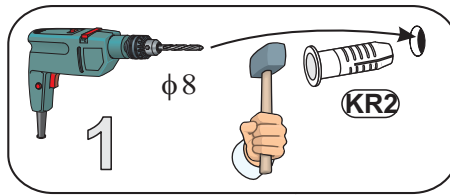
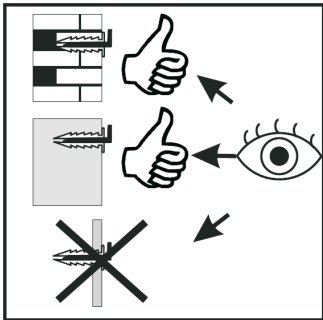
SWITCH SW 5

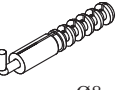
5

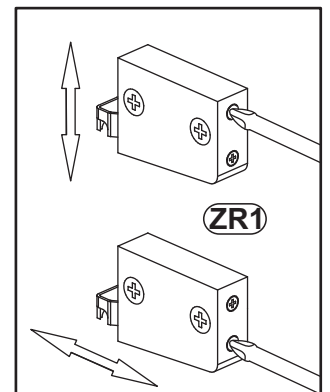
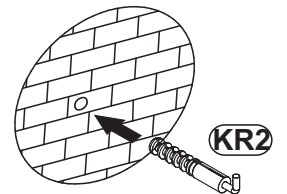
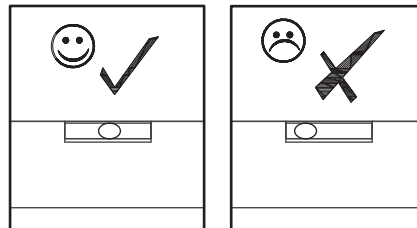
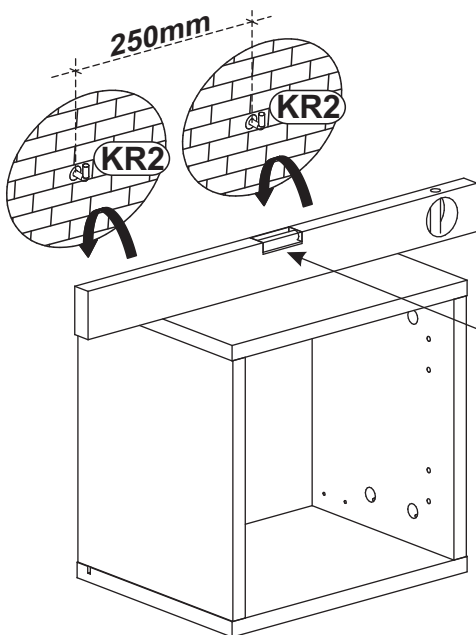
ZR1		D6	
x2		x4	USØ3,5x30



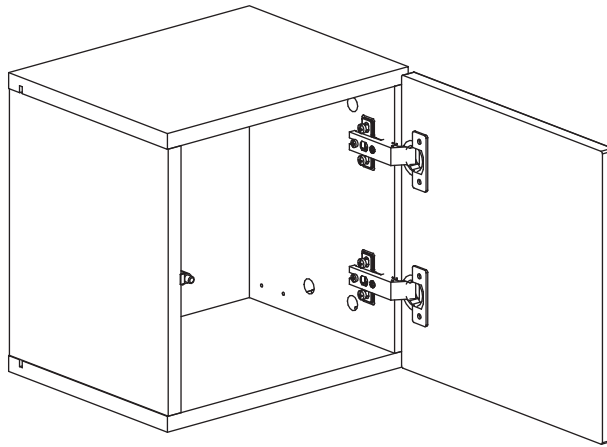
6



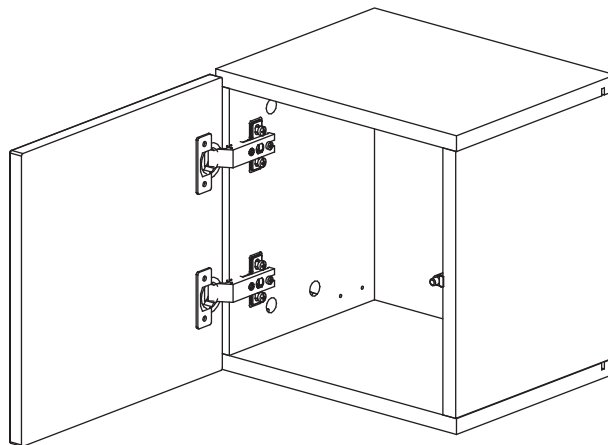
KR2	
x2	Ø8



7 - 8

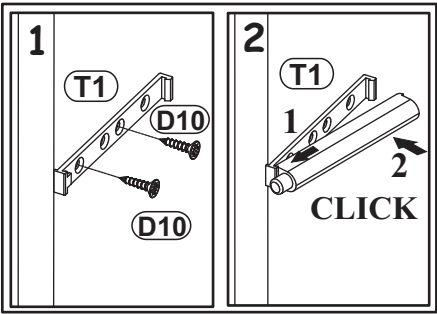
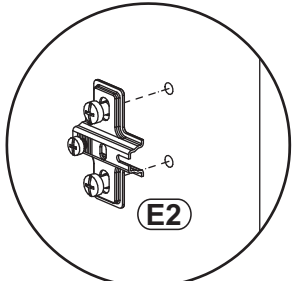
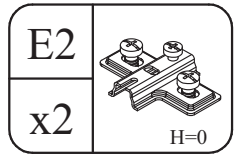
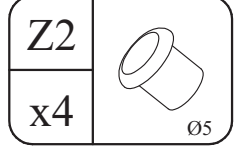
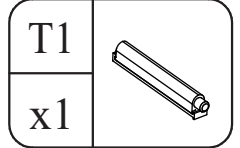
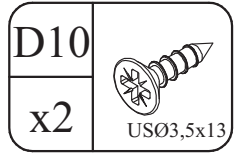
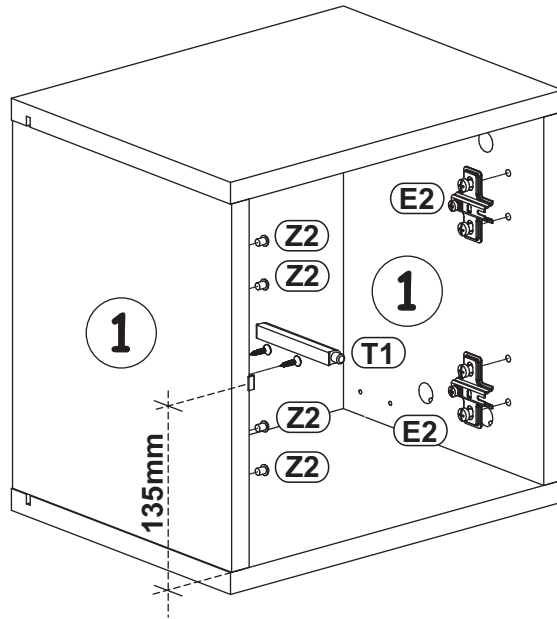
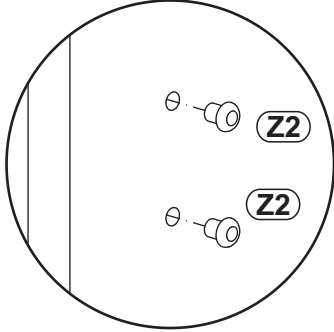
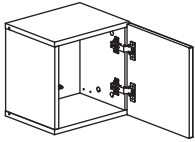


9 - 10

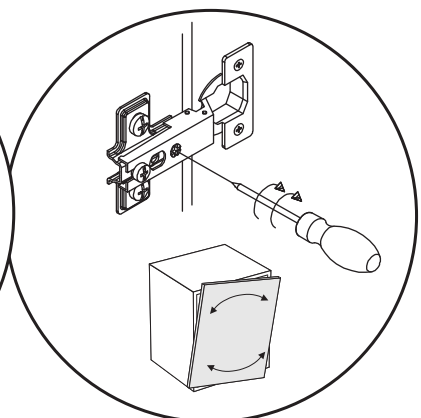
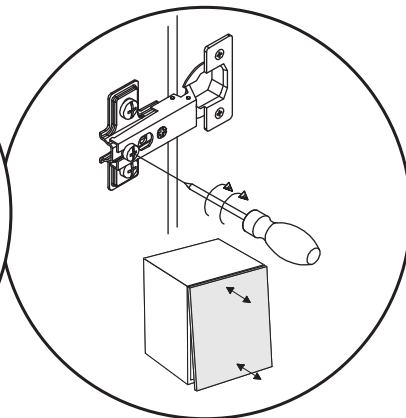
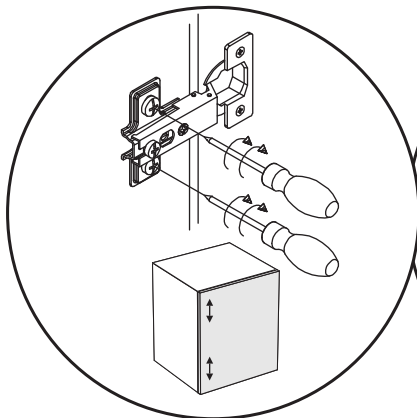
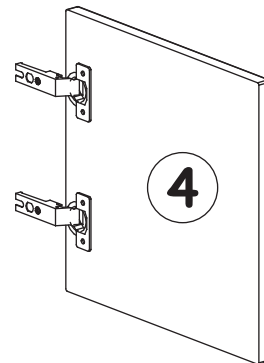
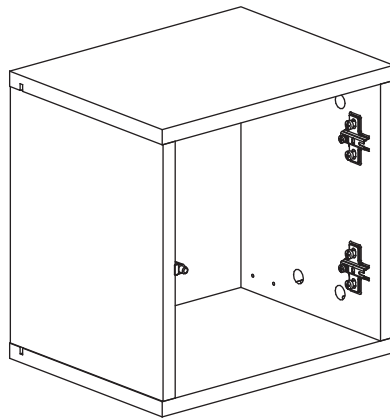
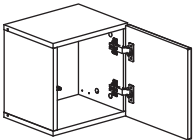


SWITCH SW 5

7

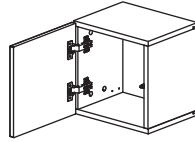


8



SWITCH SW 5

9

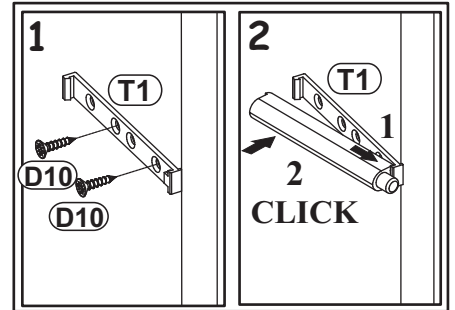
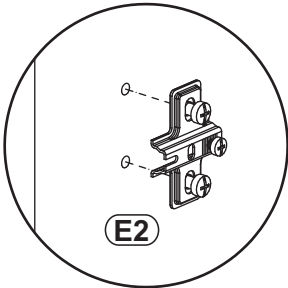
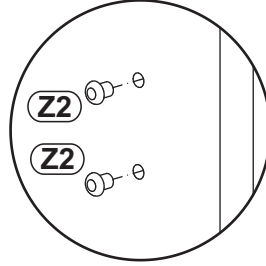
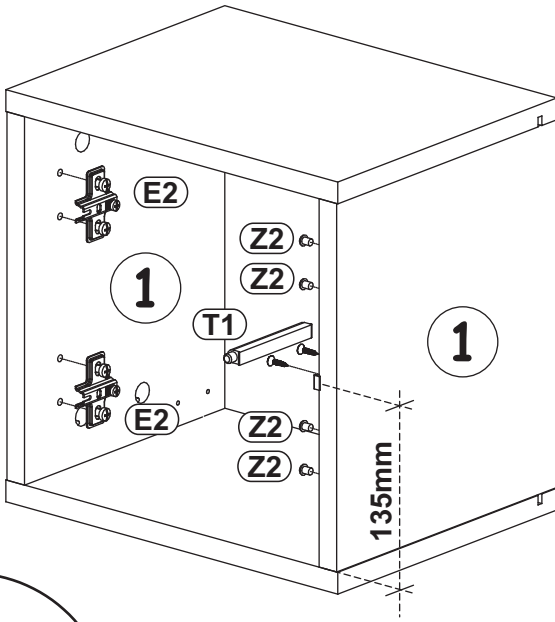


E2	
x2	H=0

D10	
x2	USØ3,5x13

T1	
x1	

Z2	
x4	Ø5



10

