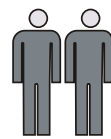
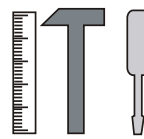
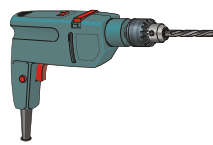
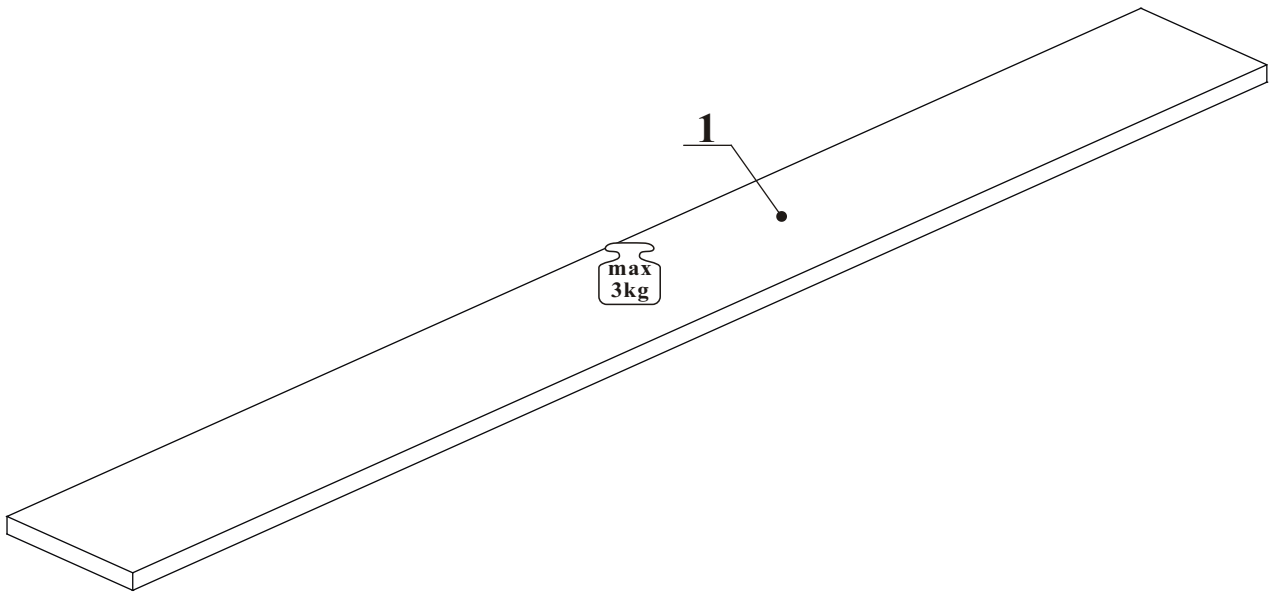
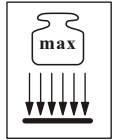


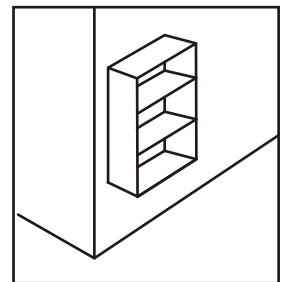
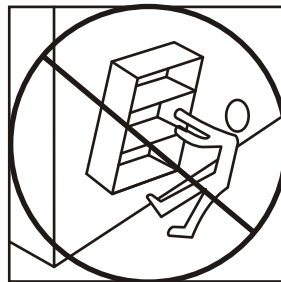
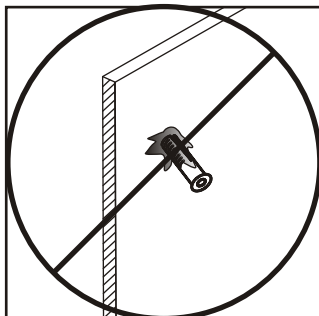
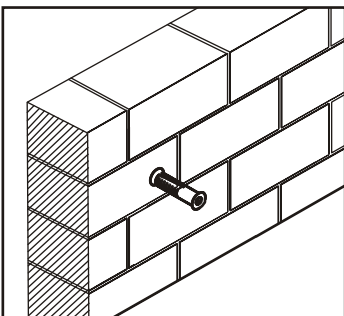
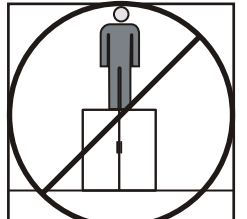
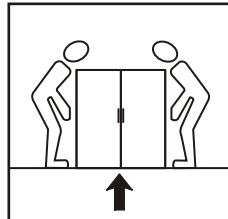
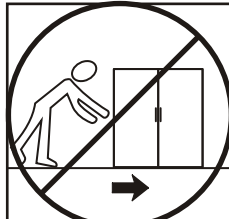
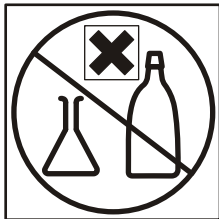
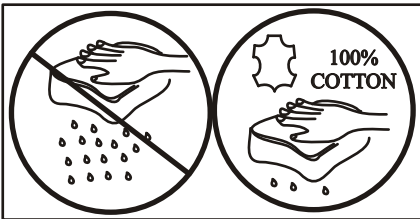
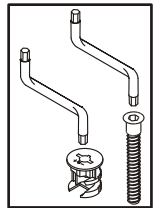
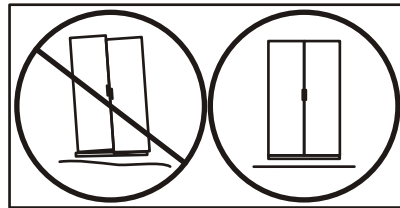
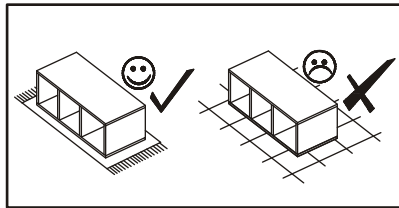
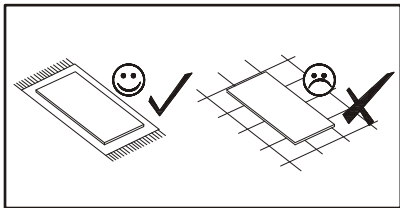
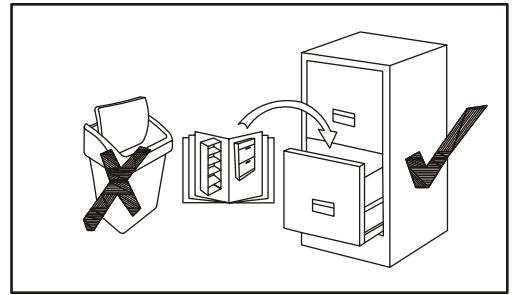
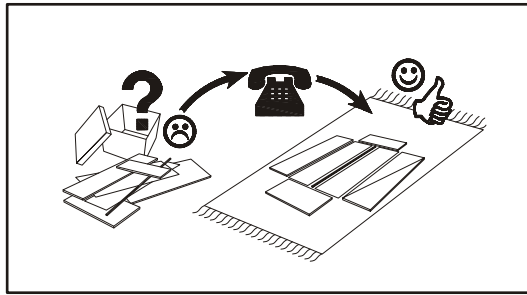
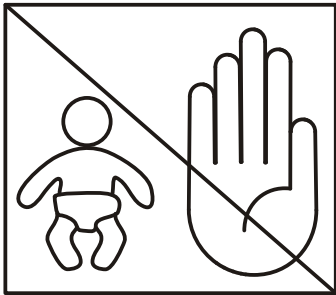
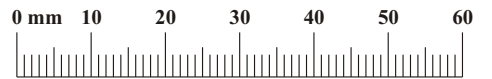
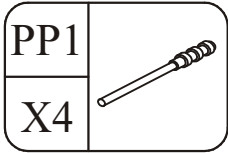
SWITCH PW 1



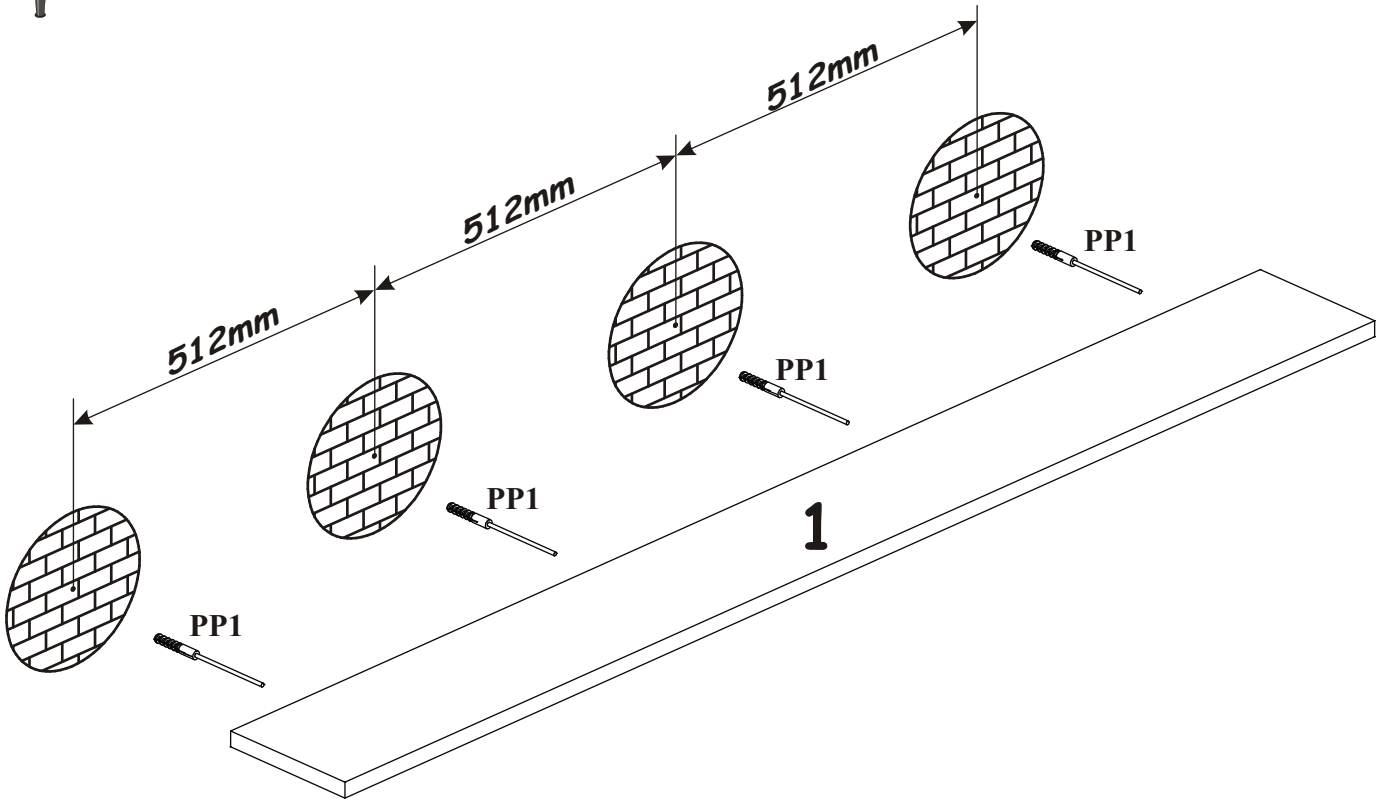
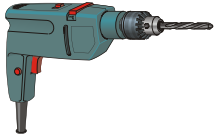
10 min

NO	Dim.	Col.-No	Qty
1	1802 200	1	1

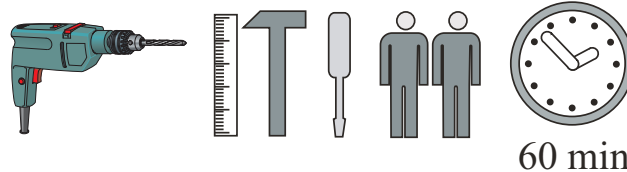
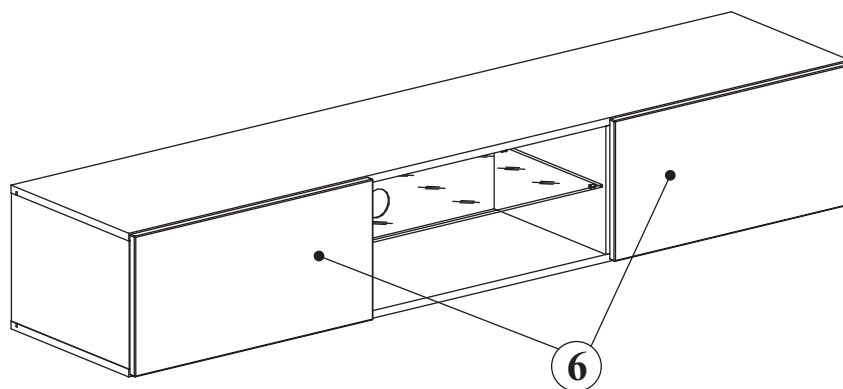
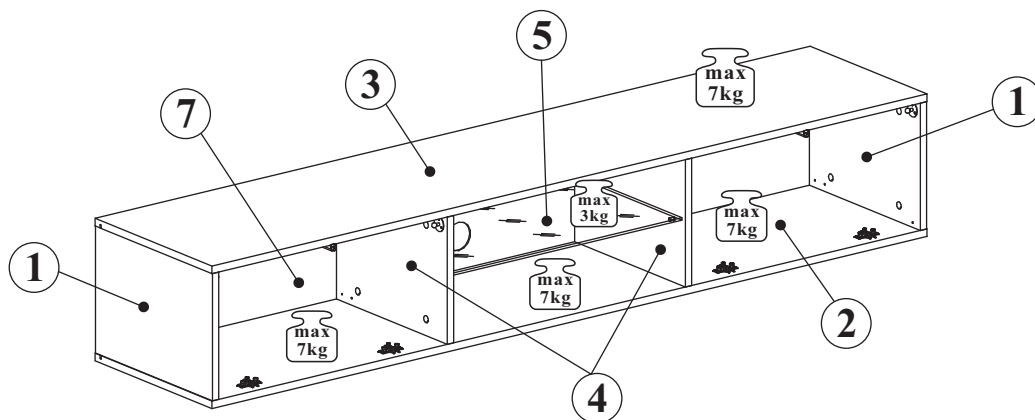
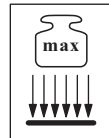
SWITCH PW 1



SWITCH PW 1



SWITCH 27 -- SW RTV 3

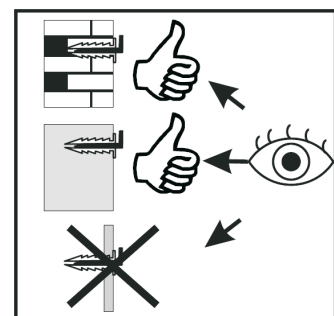
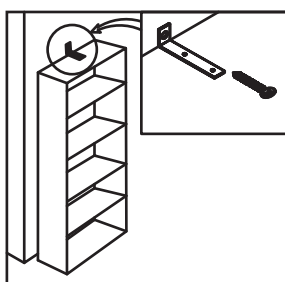
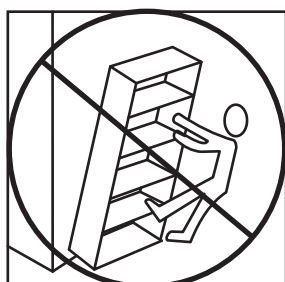
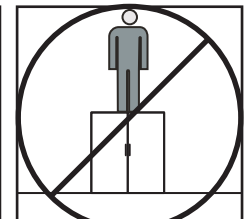
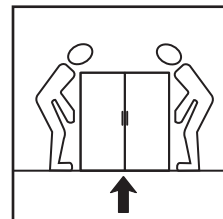
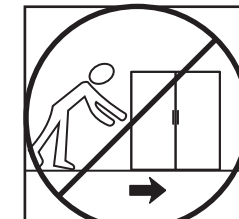
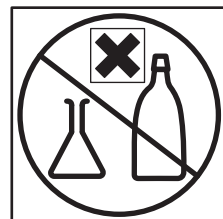
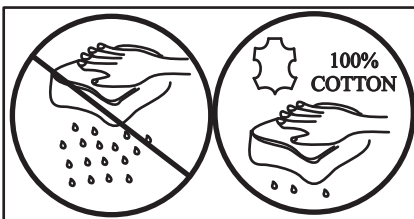
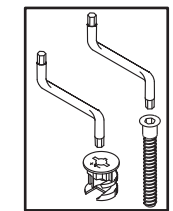
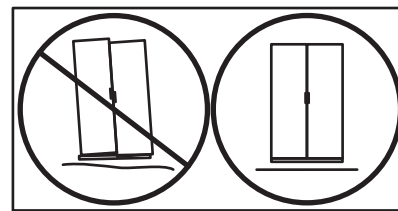
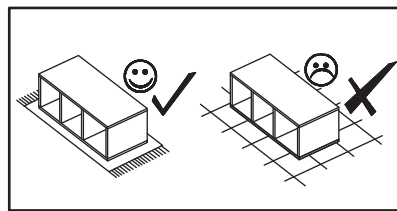
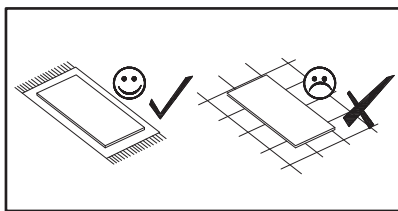
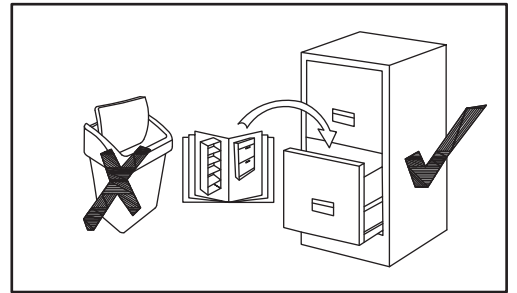
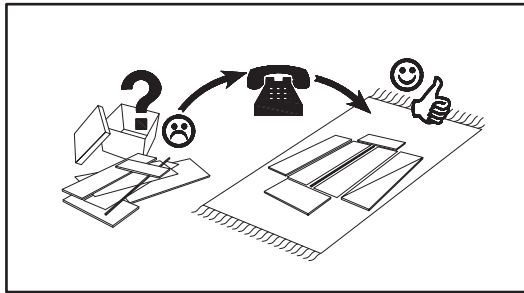
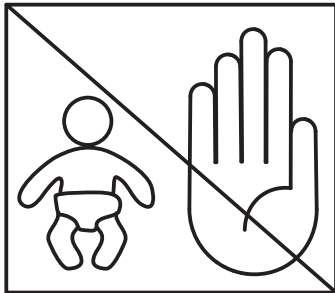
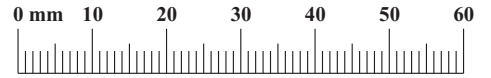


60 min

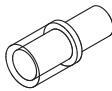
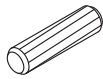
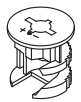
NO	Dim.			Col-No	Qty
1	268	384	16	1	2
2	1802	384	16	1	1
3	1802	384	16	1	1
6	596	294	16	1	2
4	268	364	16	1	2
5	582	349	5	1	1
7	1780	280	3	1	1

SWITCH RTV 3

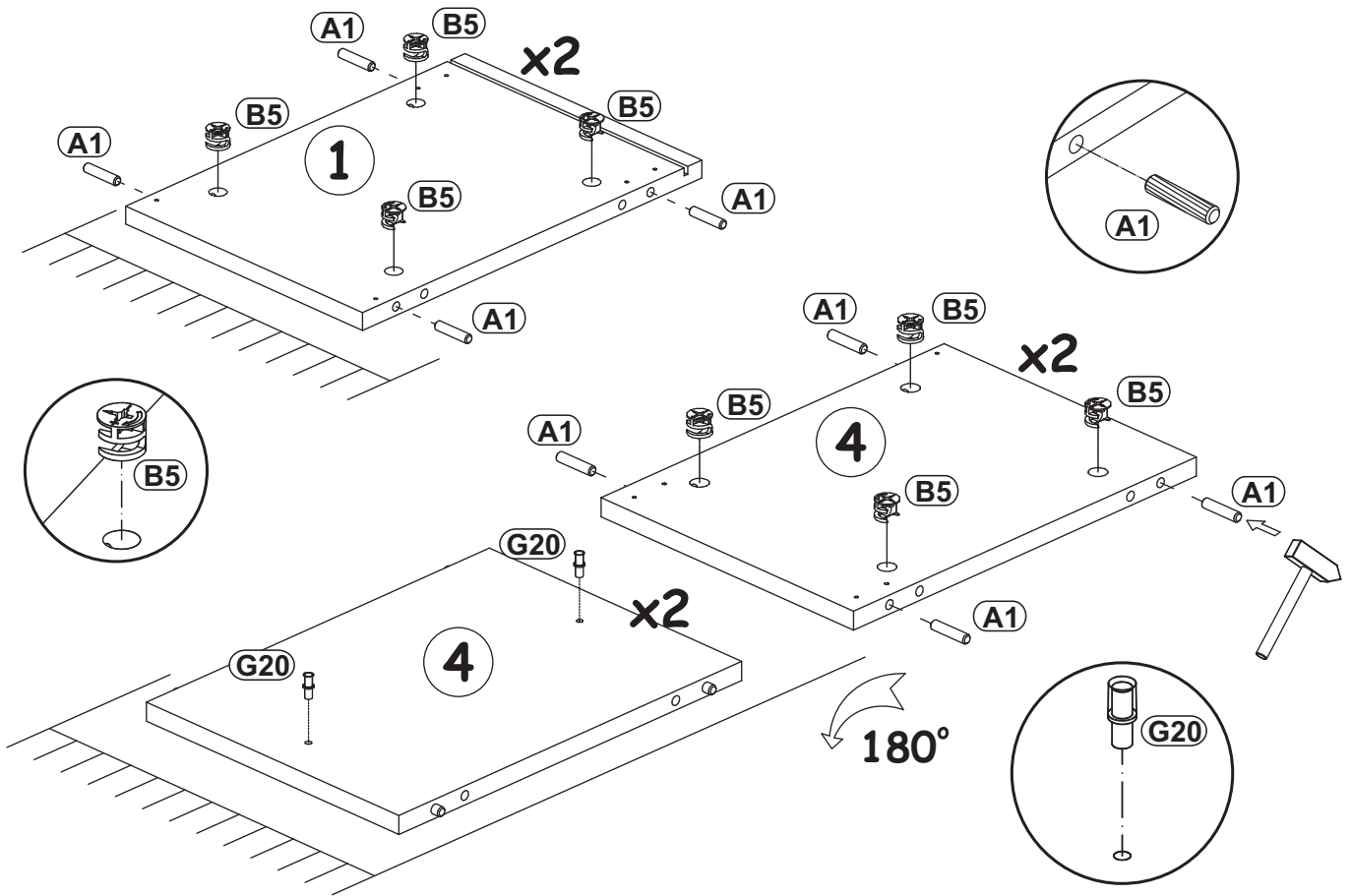
A1 x16 ø8x36	B4 x16	G5 x16	B5 x16 ø15x12	ZR1 x4	D6 x8 USØ3,5x30
E1 x4 Ø26 H=0	E2 x4 H=0	D10 x32 USØ3,5x13	T1 x2	S1 x14	B01 x4
KR2 x4 Ø8	G2 x1	LED x1 x1	G20 x4	UP13 x4 UPØ3x16	



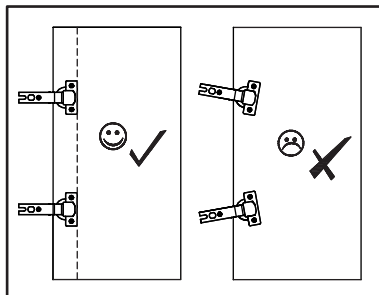
SWITCH RTV 3


G20		A1		B5	
x4		x16	ø8x36	x16	ø15x12

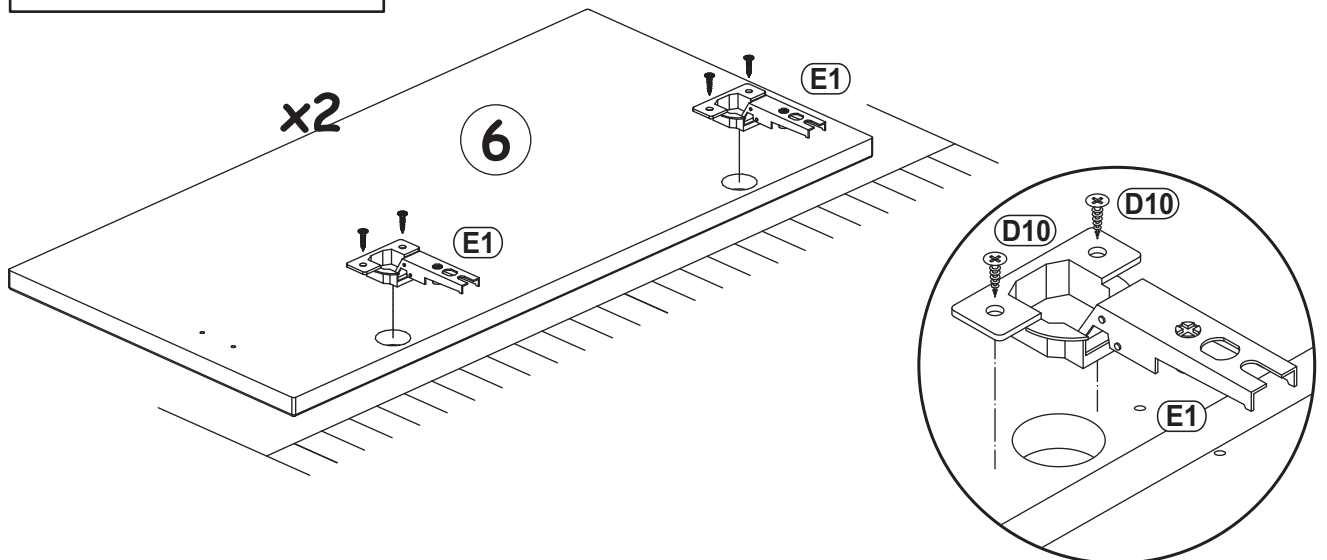
1



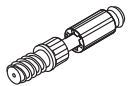
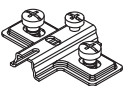
2



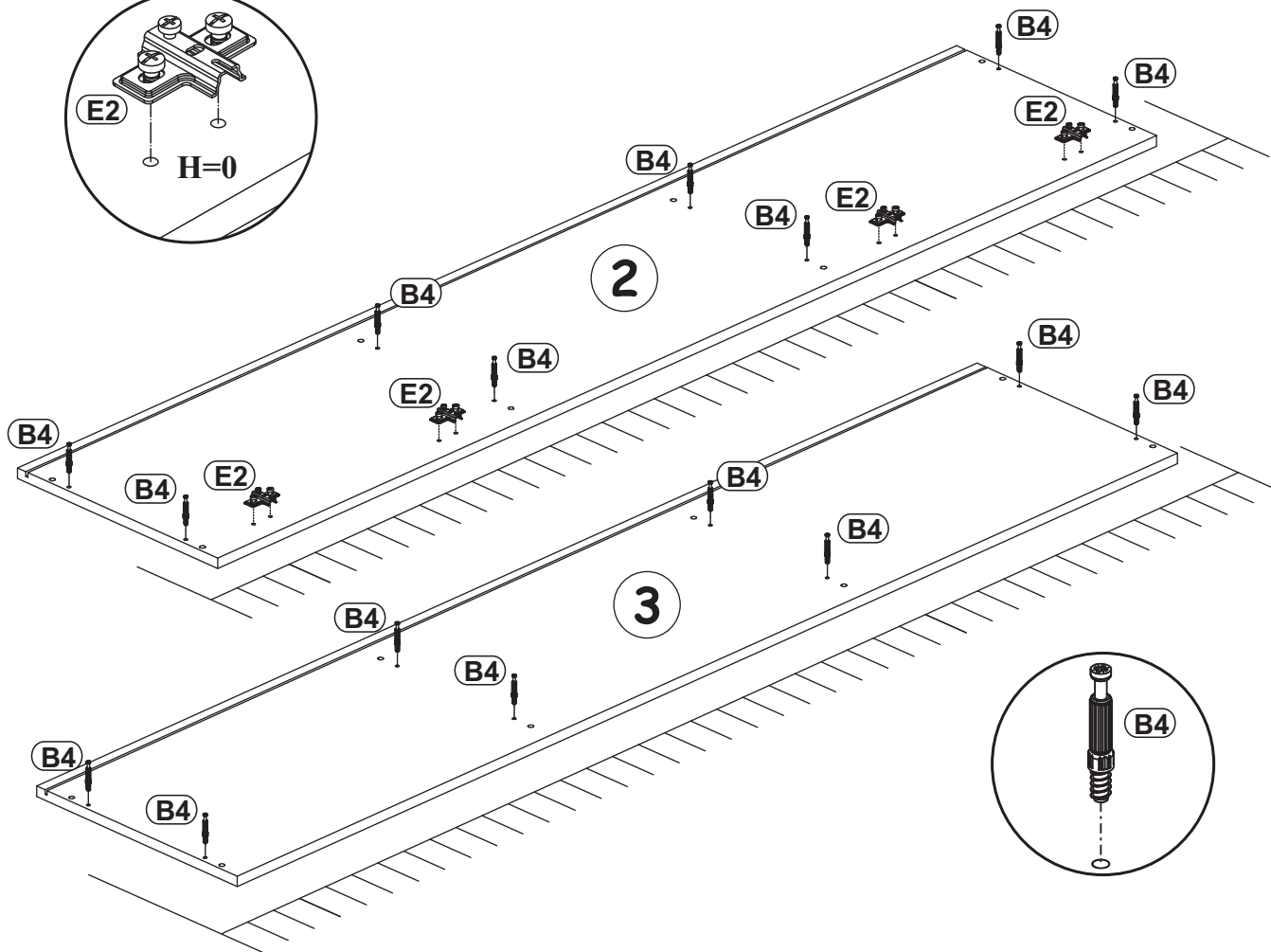
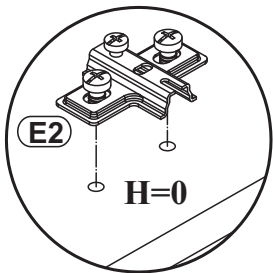
E1	Ø26	D10	
x4	H=0	x8	USØ3,5x13




SWITCH RTV 3

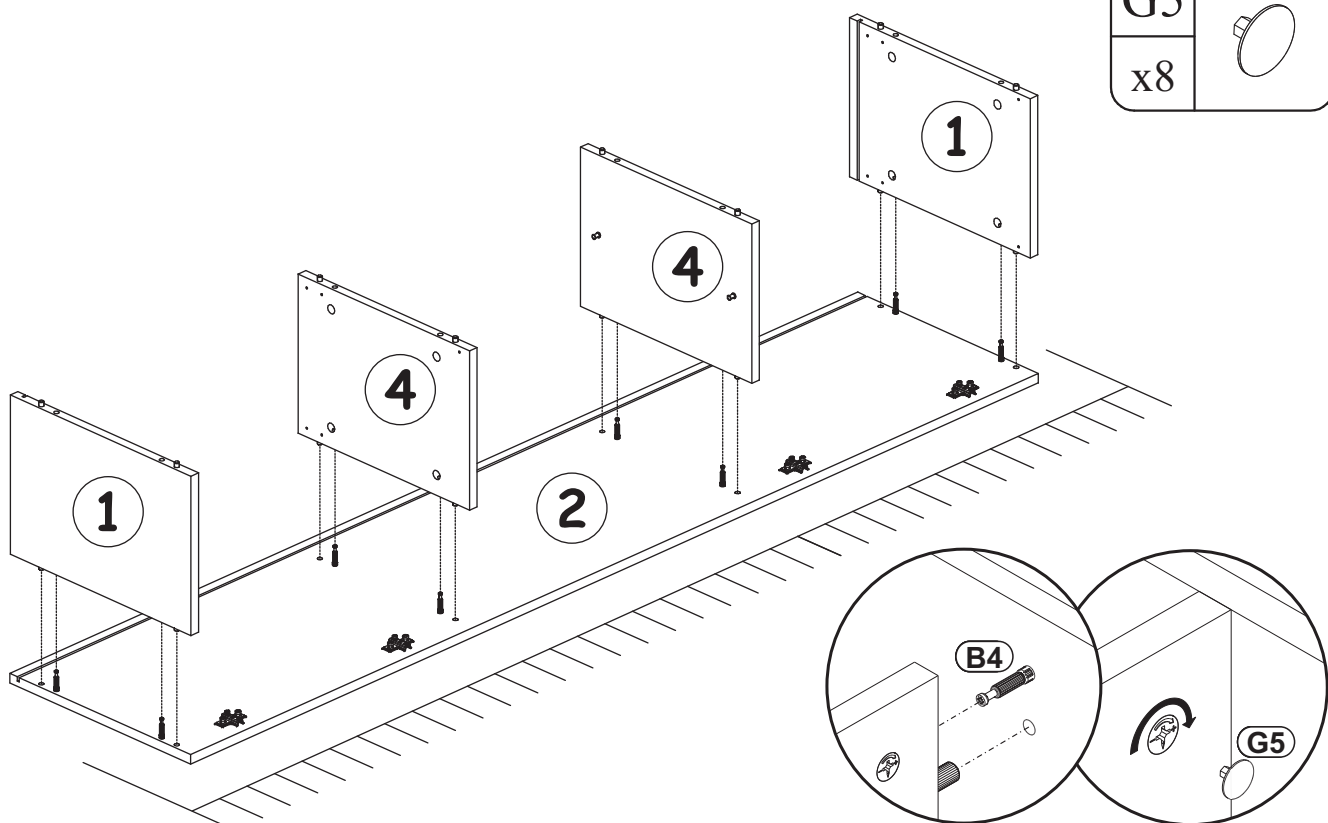
B4		E2	
x16		x4	H=0

3




4

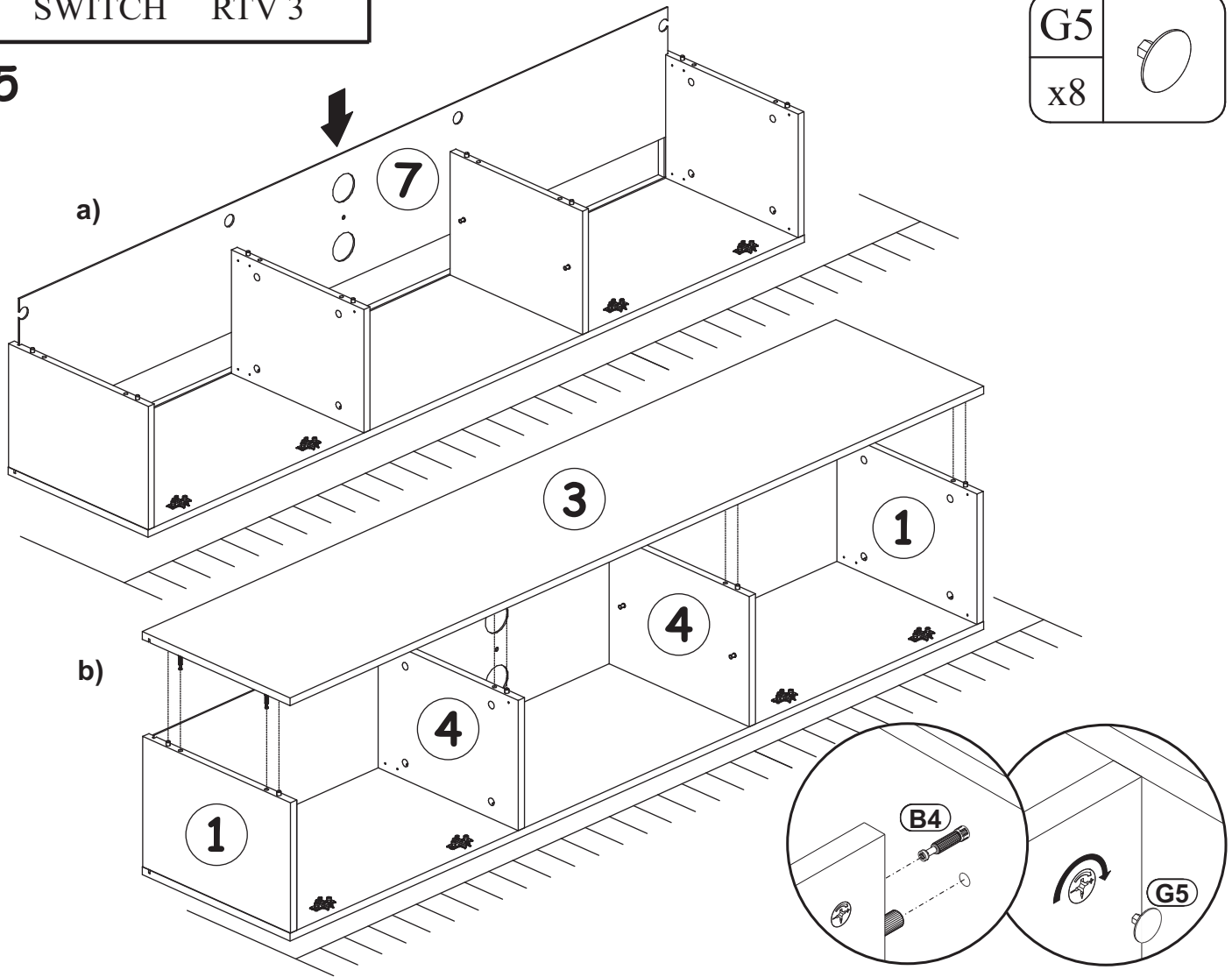
G5	
x8	




SWITCH RTV 3


5

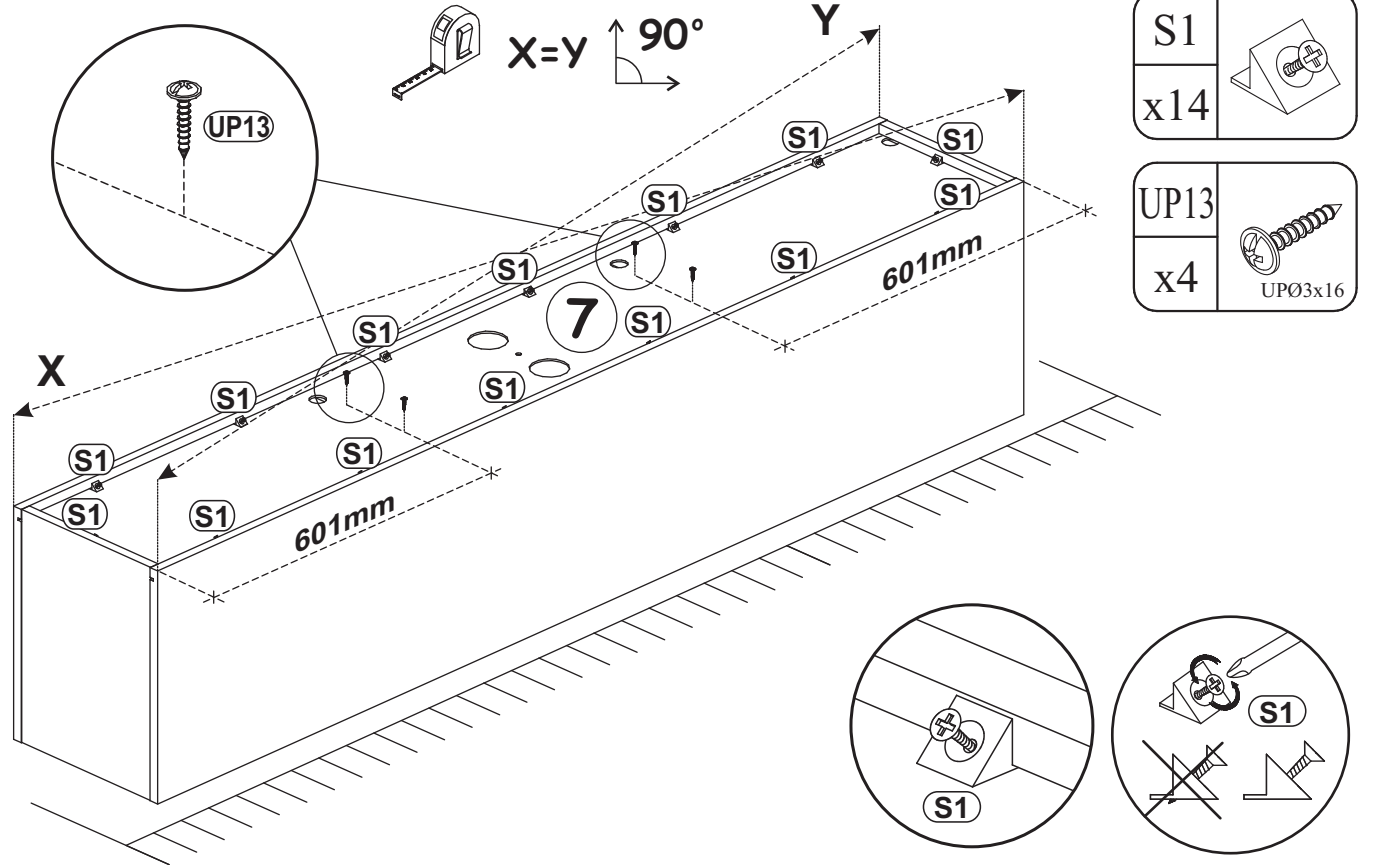
G5	
x8	



6

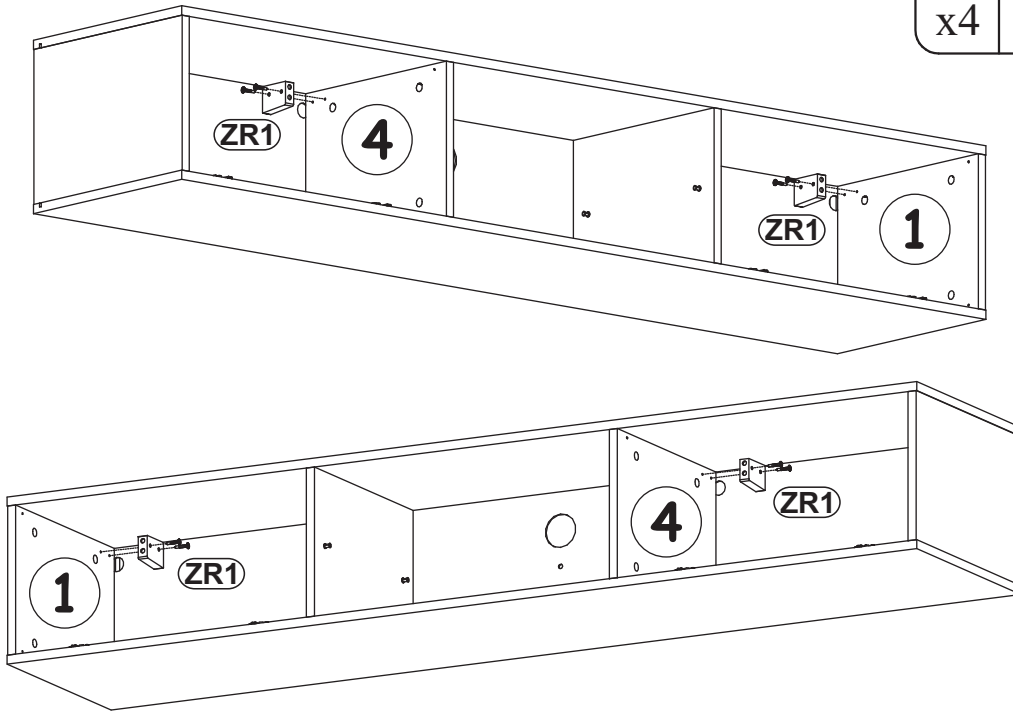
S1	
x14	

UP13	
x4	UPØ3x16

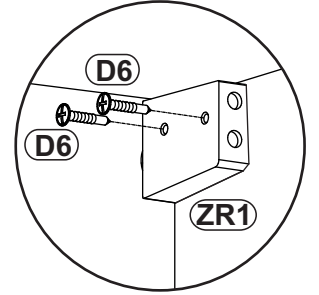
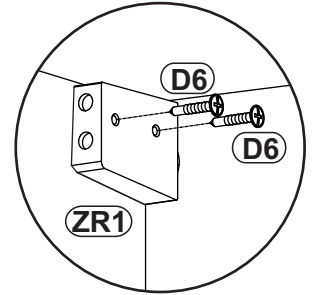


SWITCH RTV 3

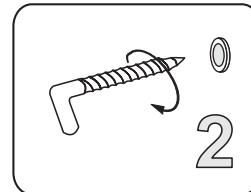
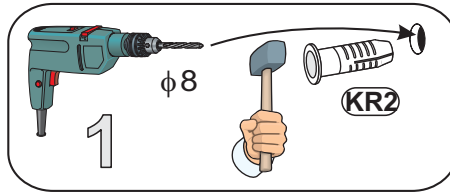
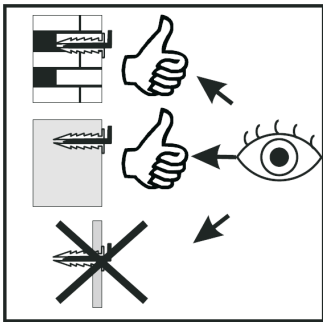
7



ZR1		D6	
x4		x8	US03,5x30

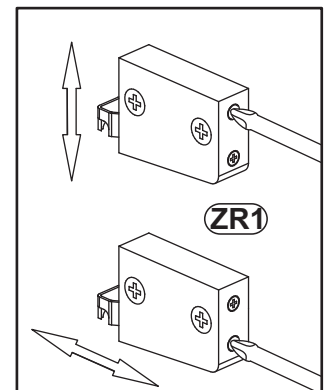
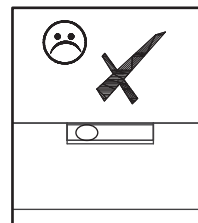
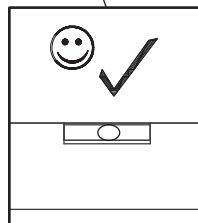
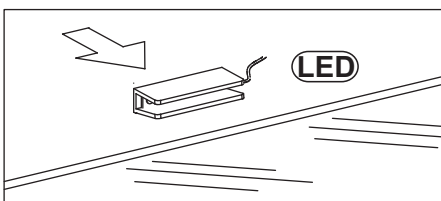
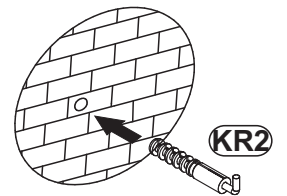
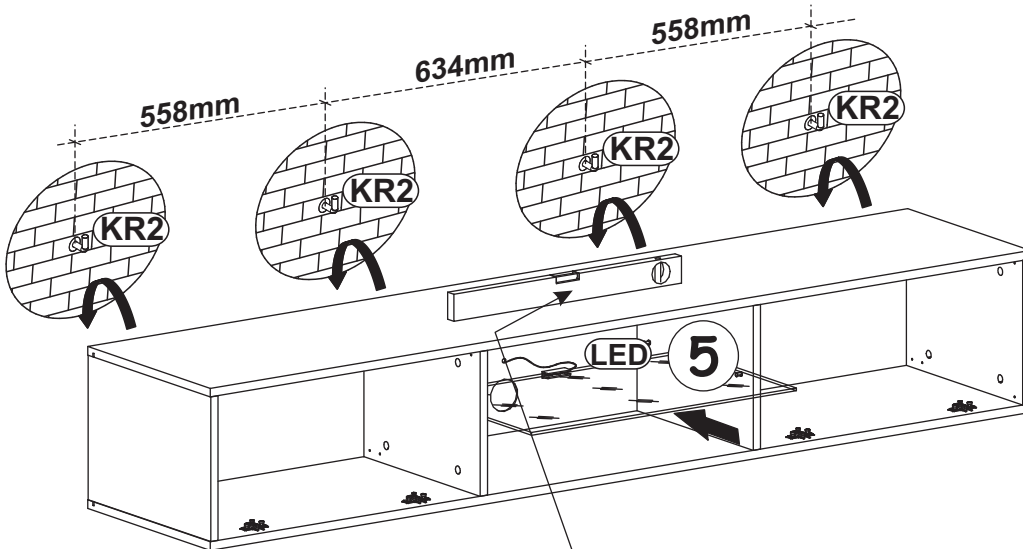


8



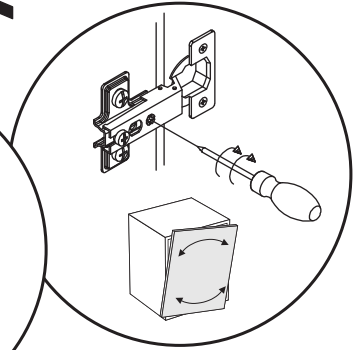
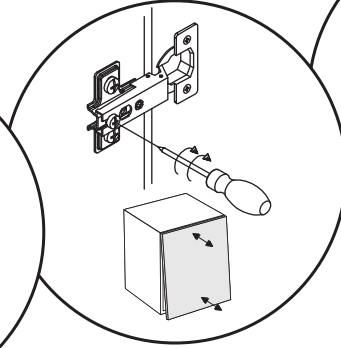
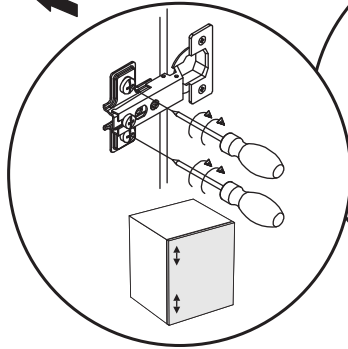
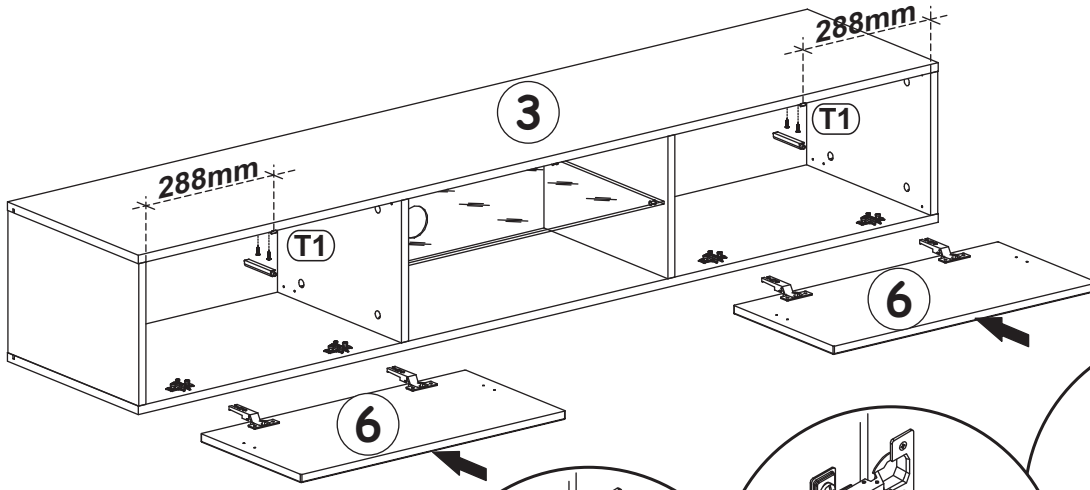
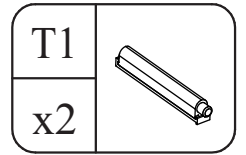
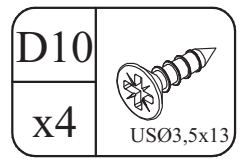
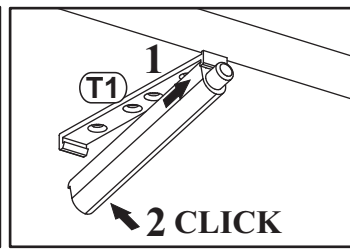
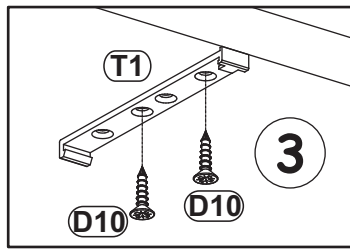
KR2	
x4	Ø8

LED	
x1	X1

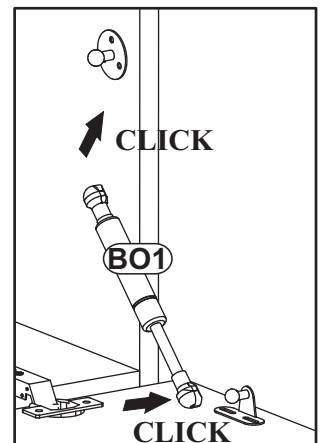
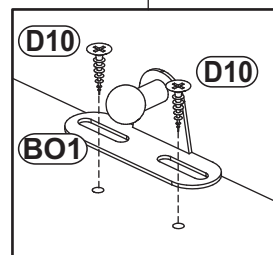
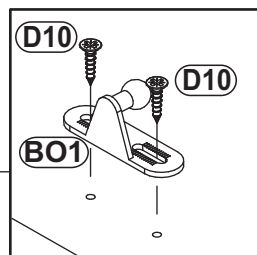
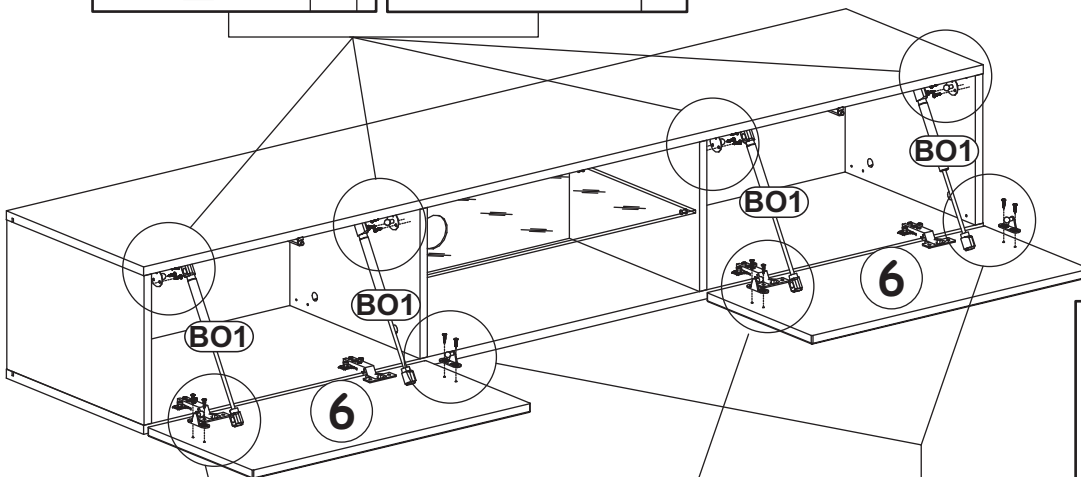
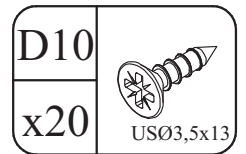
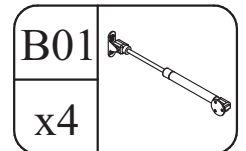
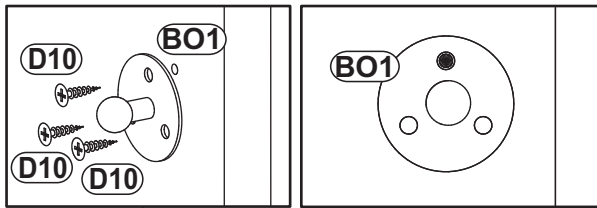


SWITCH RTV 3

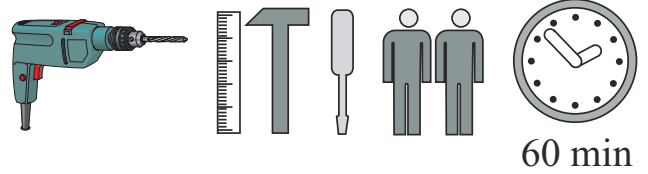
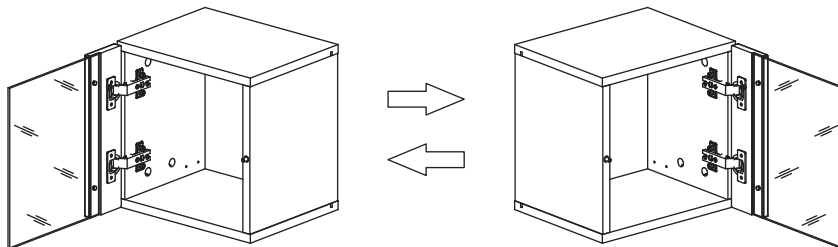
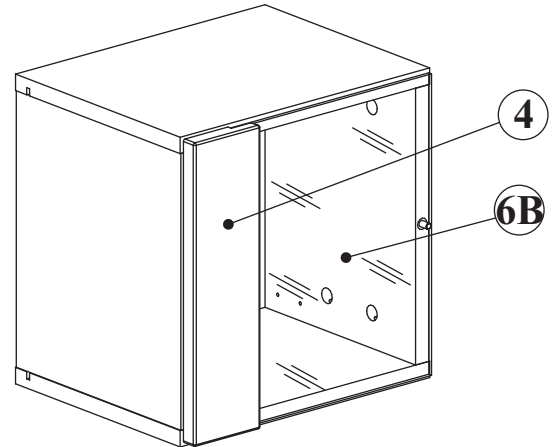
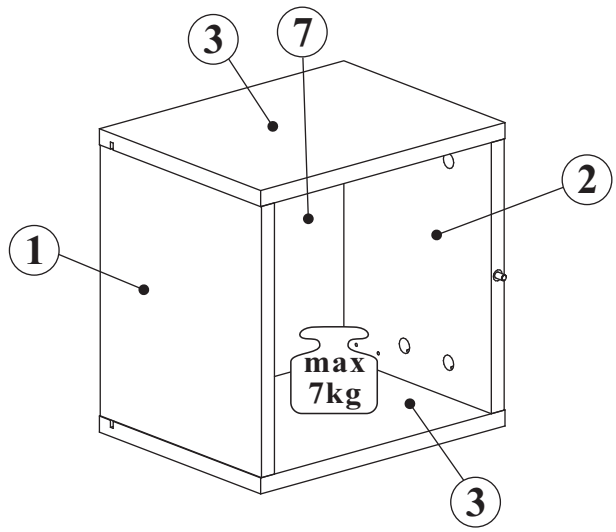
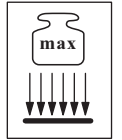
9



10



SWITCH 27 -- SW WW 5

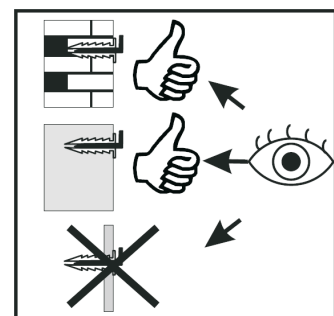
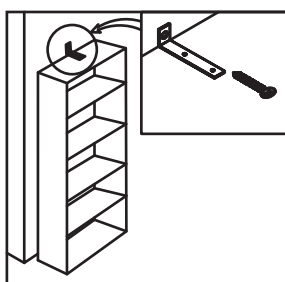
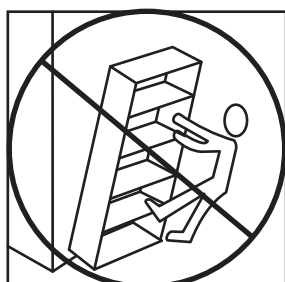
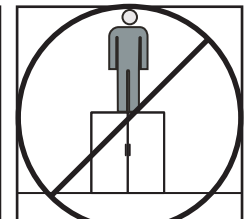
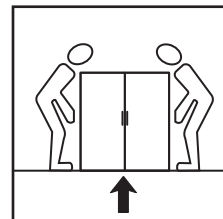
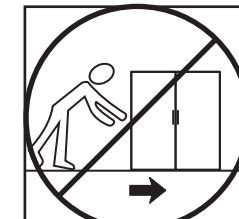
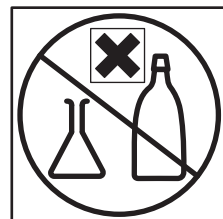
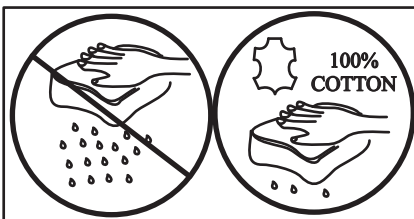
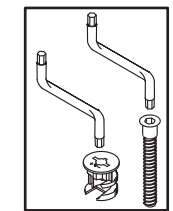
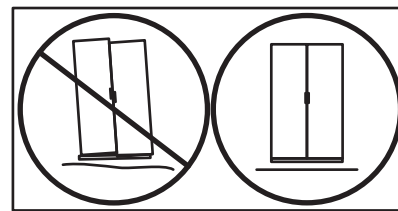
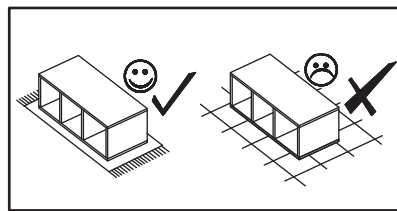
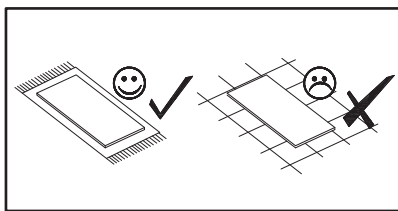
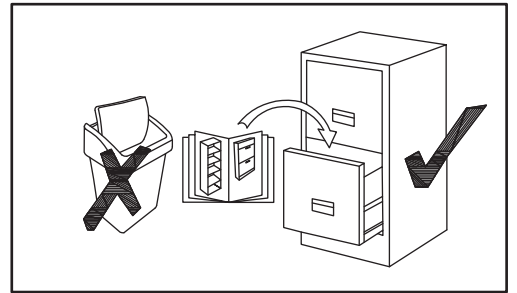
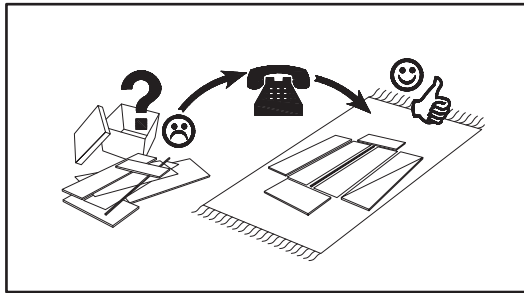
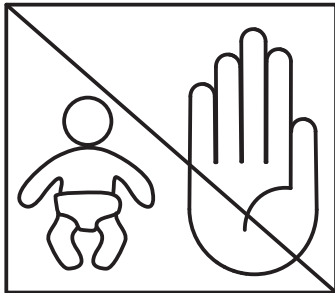
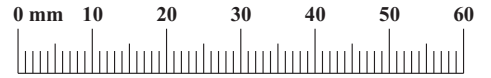


60 min

NO	Dim.			Col-No	Qty
1	270	234	16	1	1
2	270	234	16	1	1
3	302	234	16	1	2
7	282	280	3	1	1
4	80	296	16	1	1
6B	294	241	4	1	1

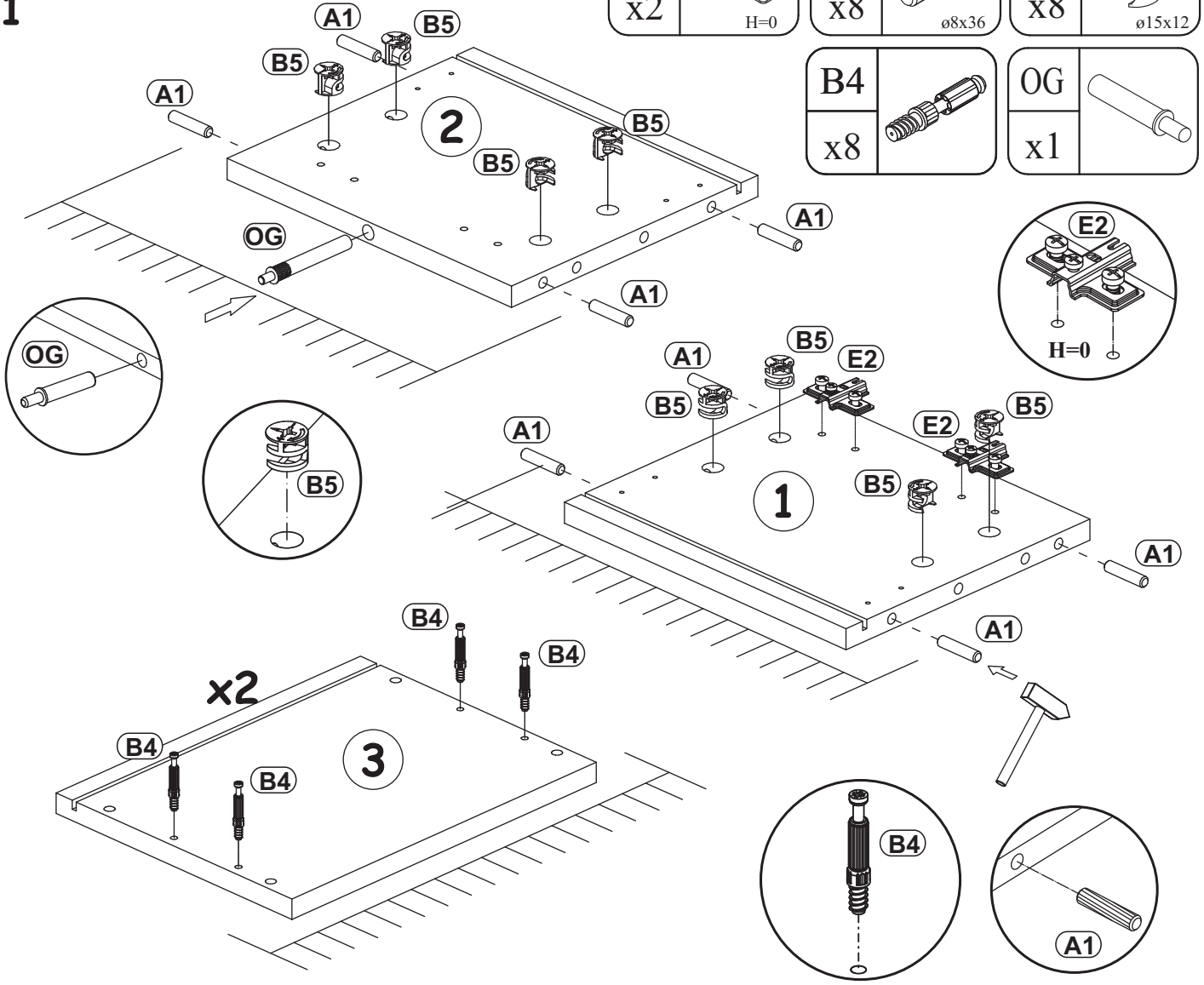
SWITCH WW 5

A1 x8 ø8x36	B4 x8	G5 x8	B5 x8 ø15x12	ZR1 x2	D6 x4 USØ3,5x30
E1 x2 Ø26 H=0	E2 x2 H=0	D10 x4 USØ3,5x13	OG x1	S1 x4	KR2 x2 Ø8
G2 x1	P2 x2	UP13 x2 UPØ3x16			



SWITCH WW 5

1



E2	
x2	H=0

A1	
x8	$\varnothing 8 \times 36$

B5	
x8	$\varnothing 15 \times 12$

B4	
x8	

OG	
x1	

OG

B5

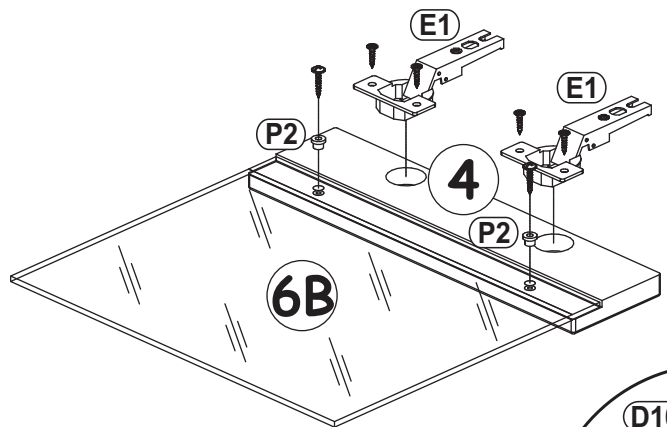
E2

H=0

B4

A1

2



E1	$\varnothing 26$
x2	H=0

D10	
x4	US $\varnothing 3,5 \times 13$

P2	
x2	

UP13	
x2	UP $\varnothing 3 \times 16$

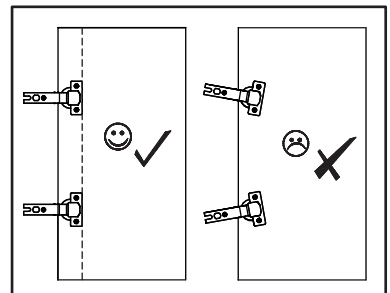
UP13

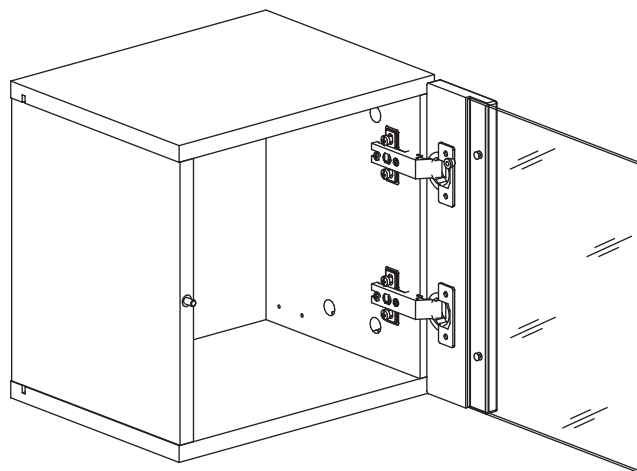
P2

D10

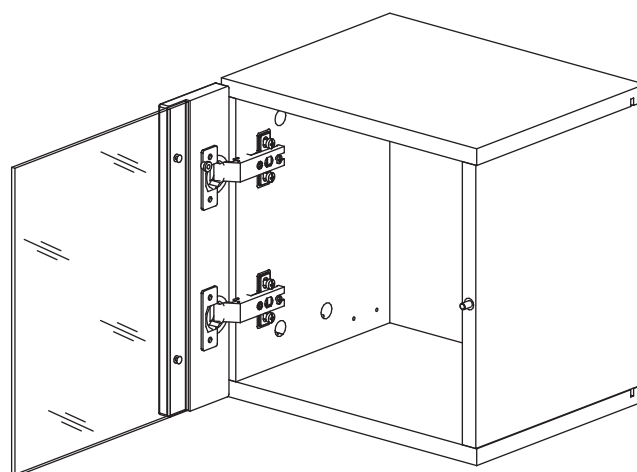
D10

E1





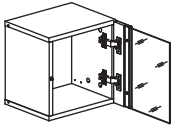
3 - 7




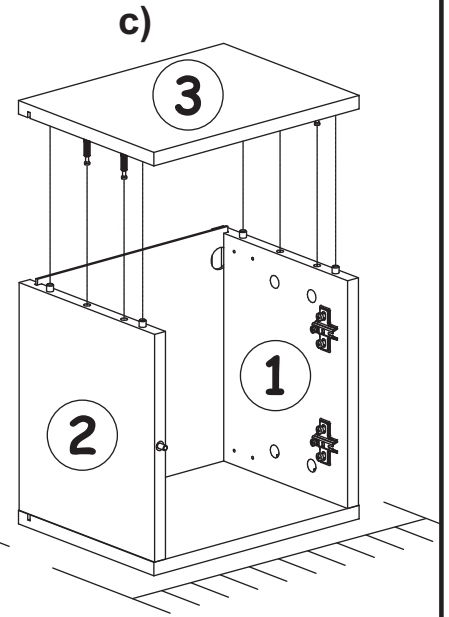
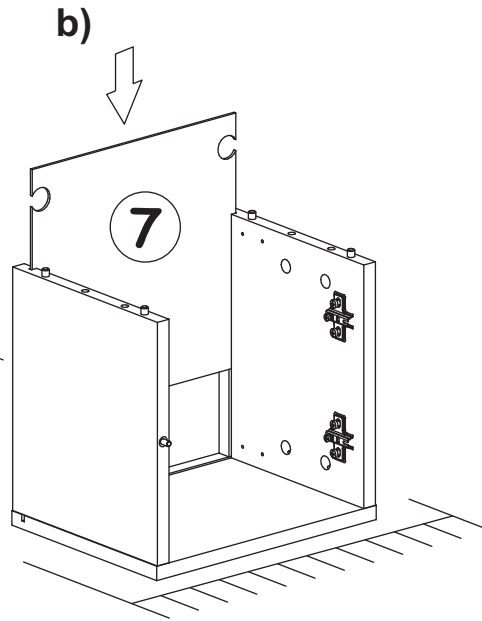
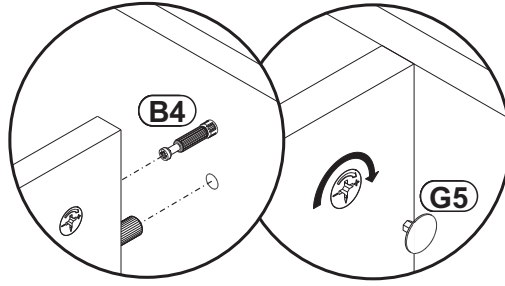
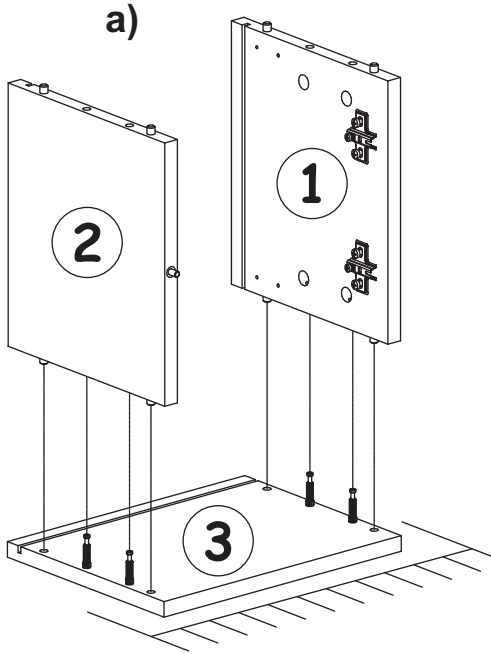
8 - 12

SWITCH WW 5

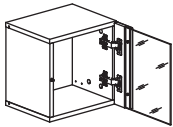
3

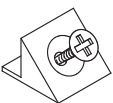


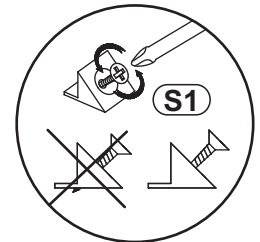
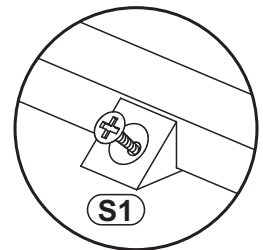
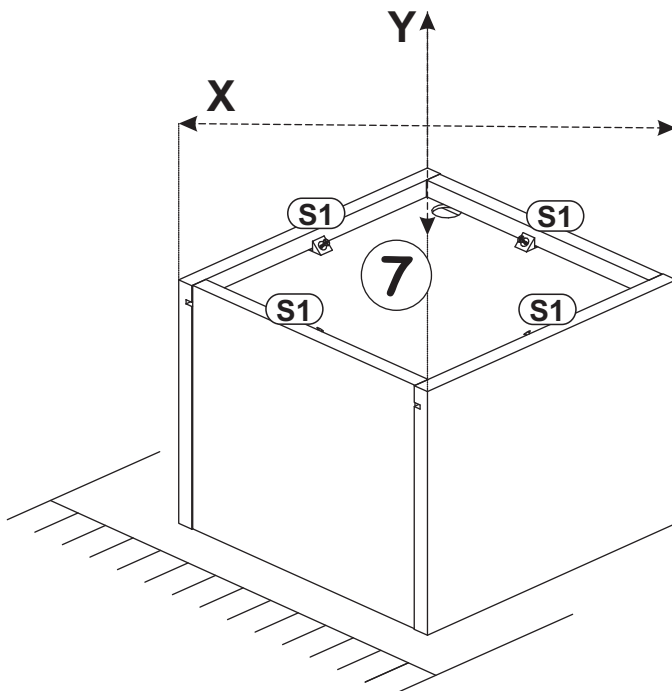
G5	
x8	



4

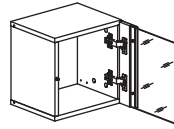


S1	
x4	

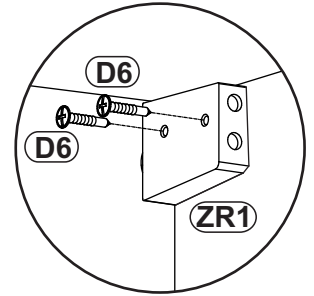
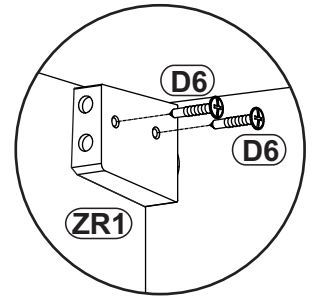
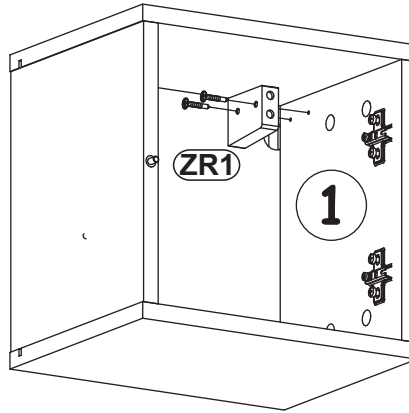
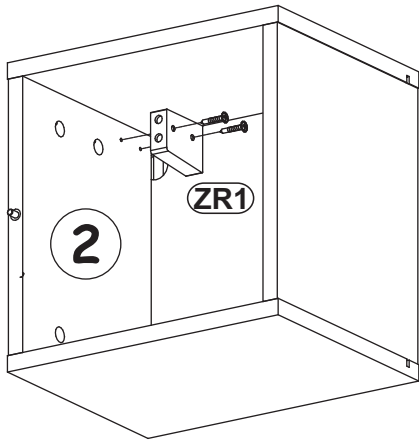


SWITCH WW 5

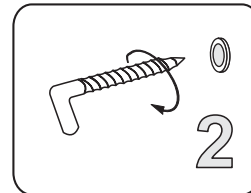
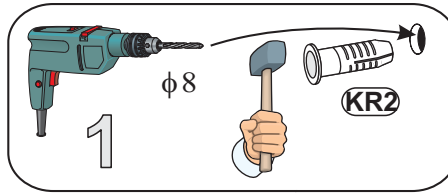
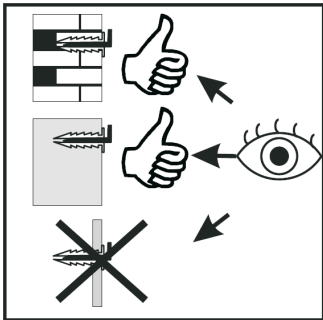
5



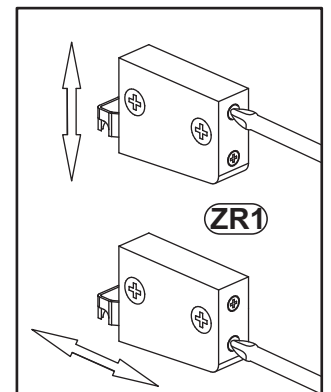
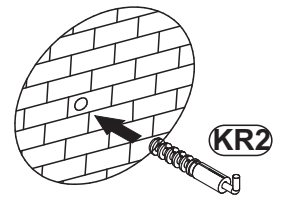
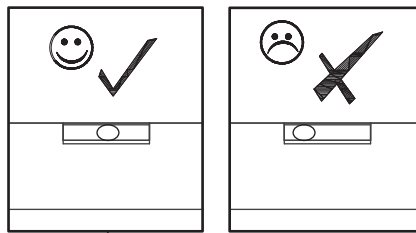
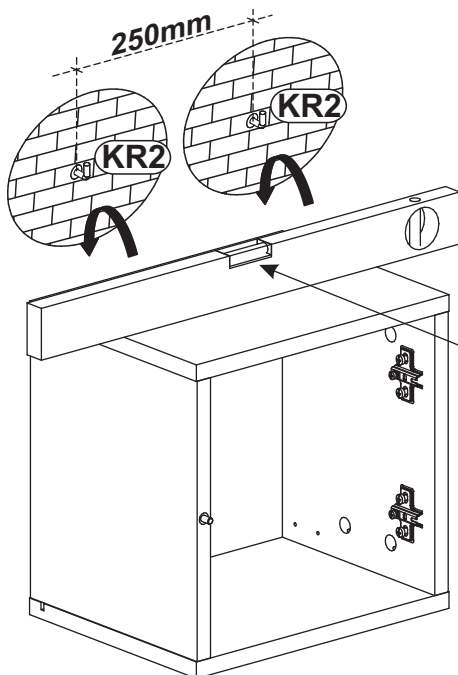
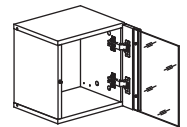
ZR1		D6	
x2		x4	USØ3,5x30



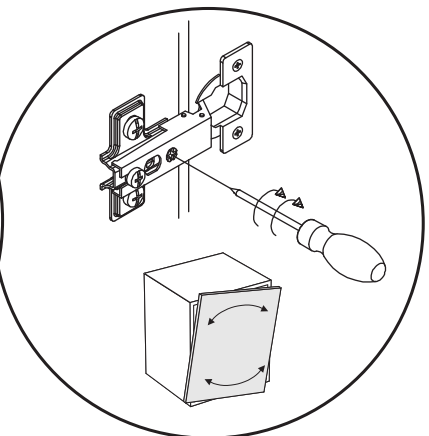
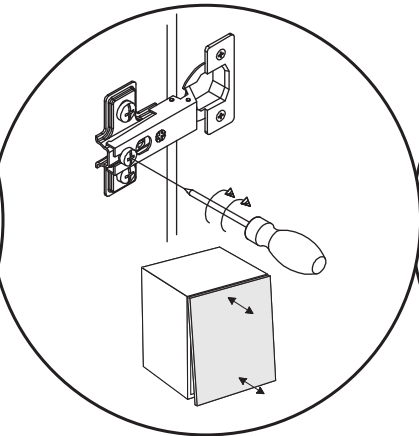
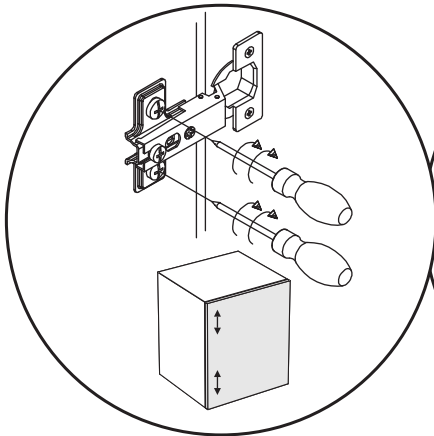
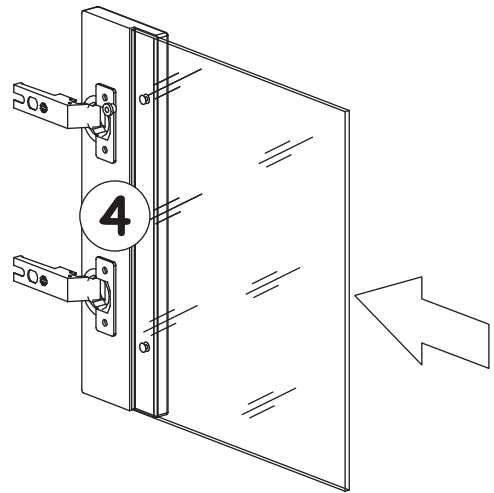
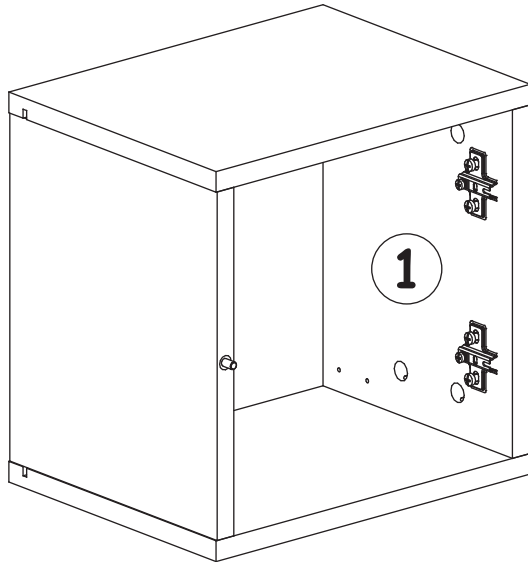
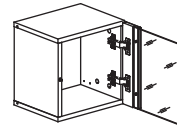
6



KR2	
x2	Ø8

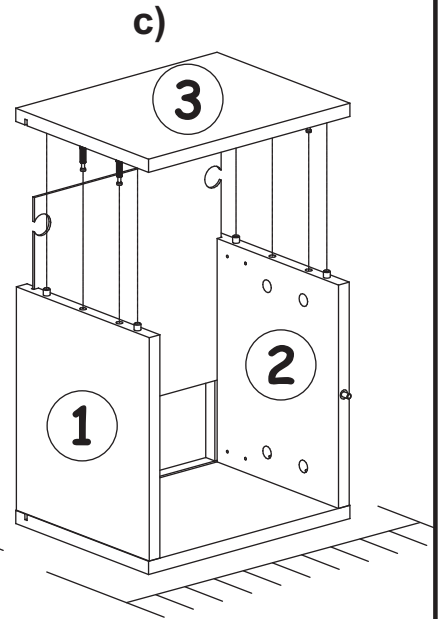
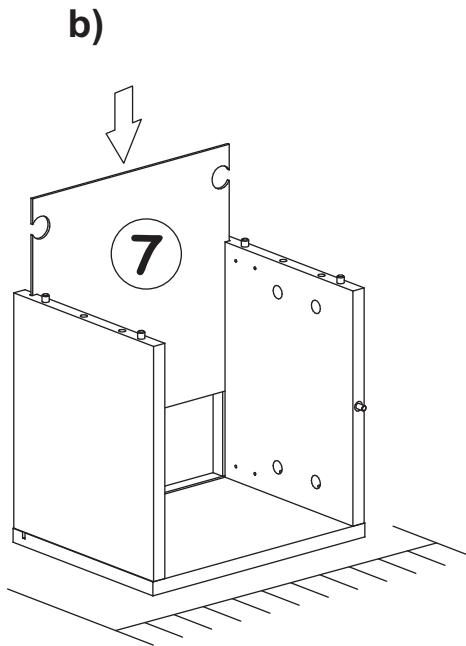
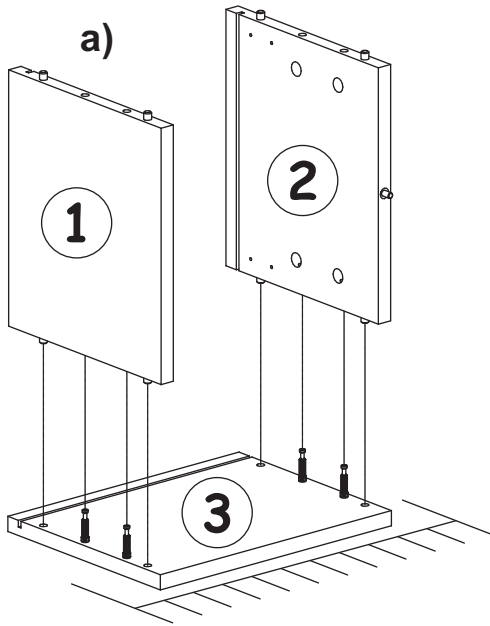
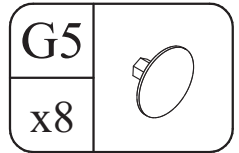
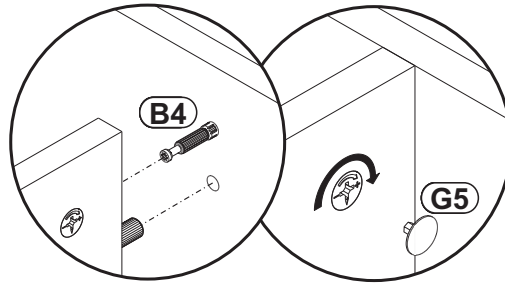
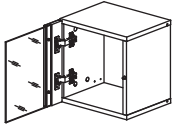


7

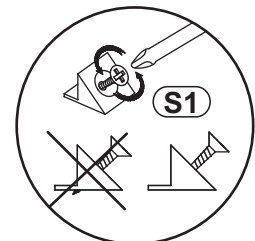
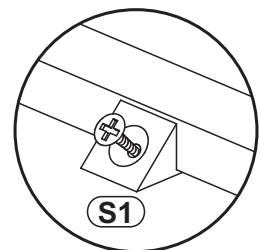
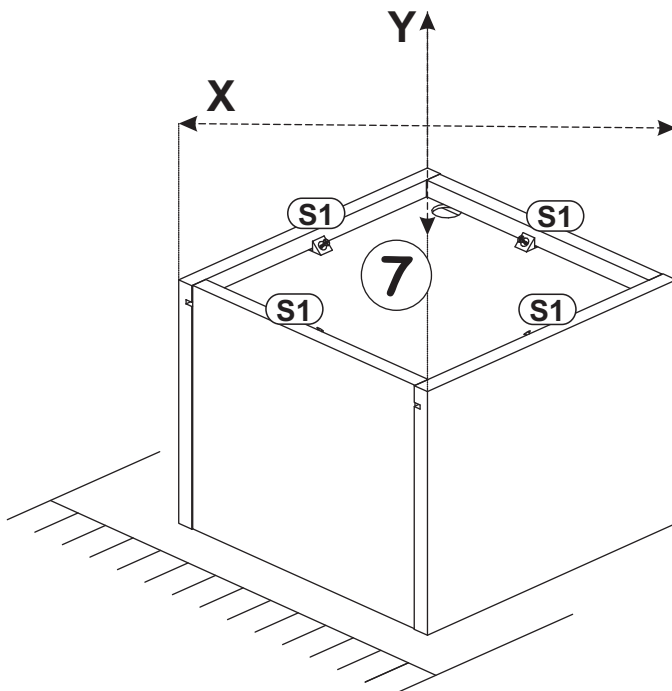
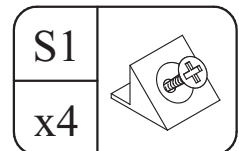
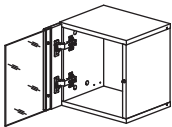


SWITCH WW 5

8

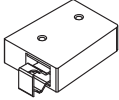



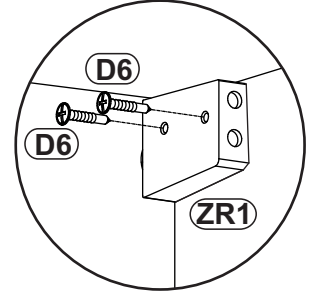
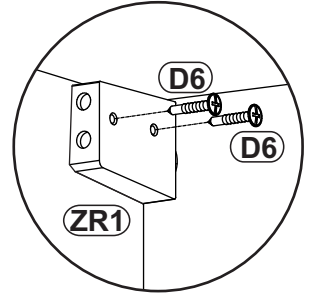
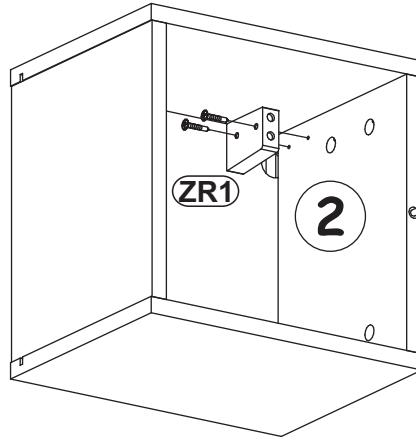
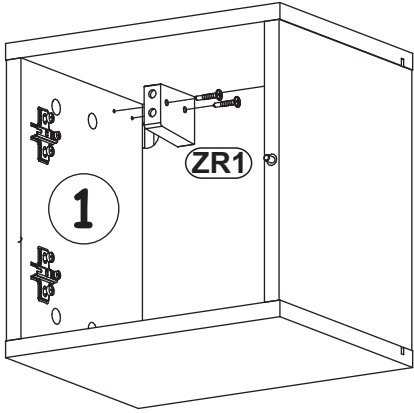
9



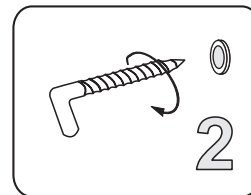
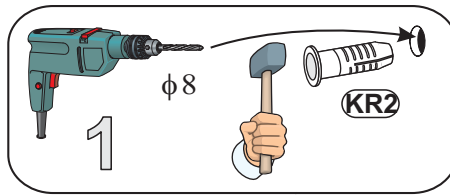
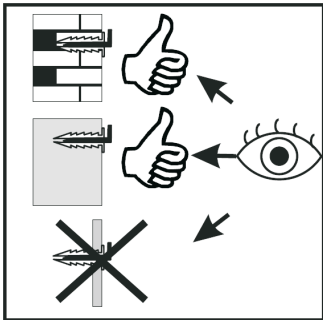
SWITCH WW 5

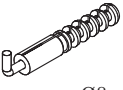
10

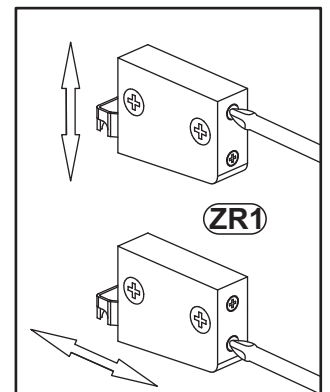
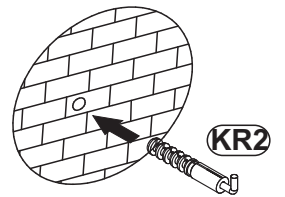
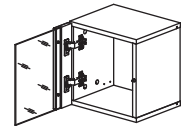
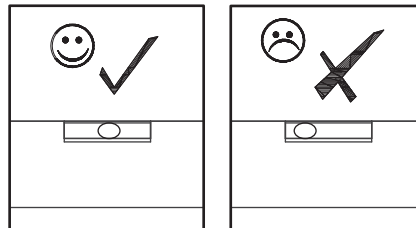
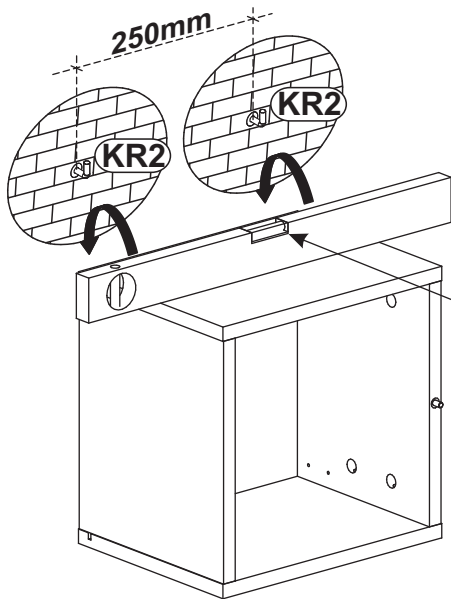
ZR1		D6	
x2		x4	US03,5x30



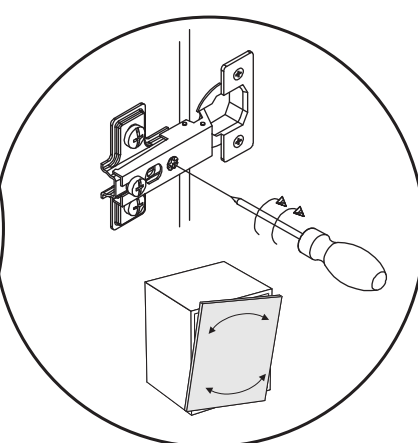
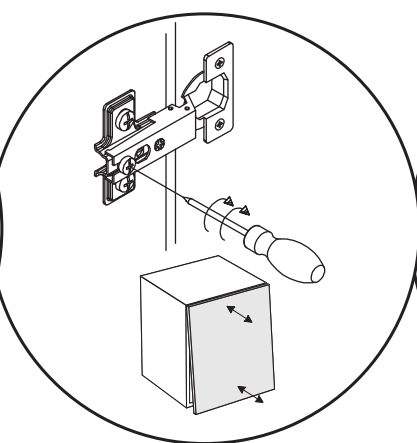
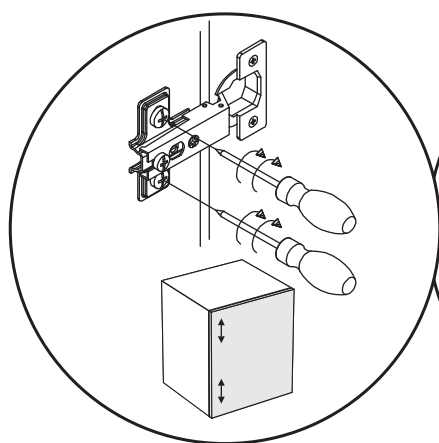
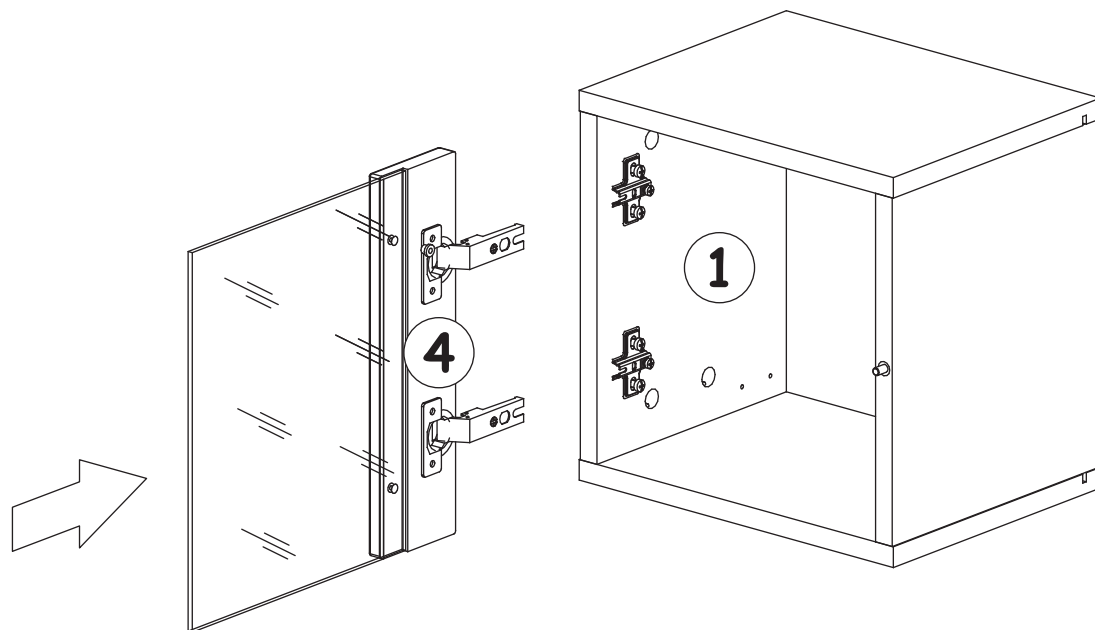
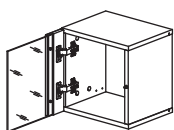
11



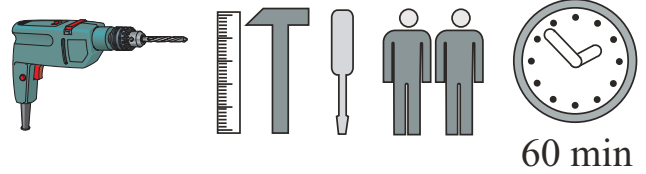
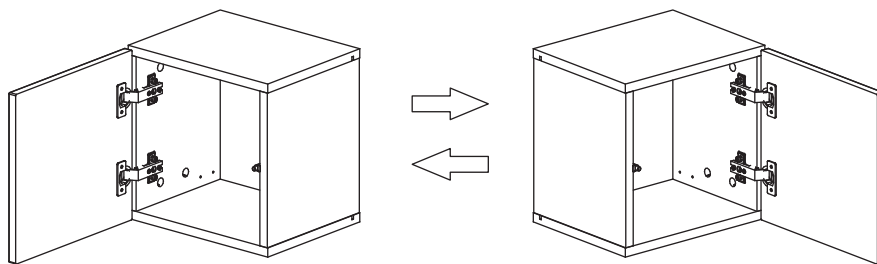
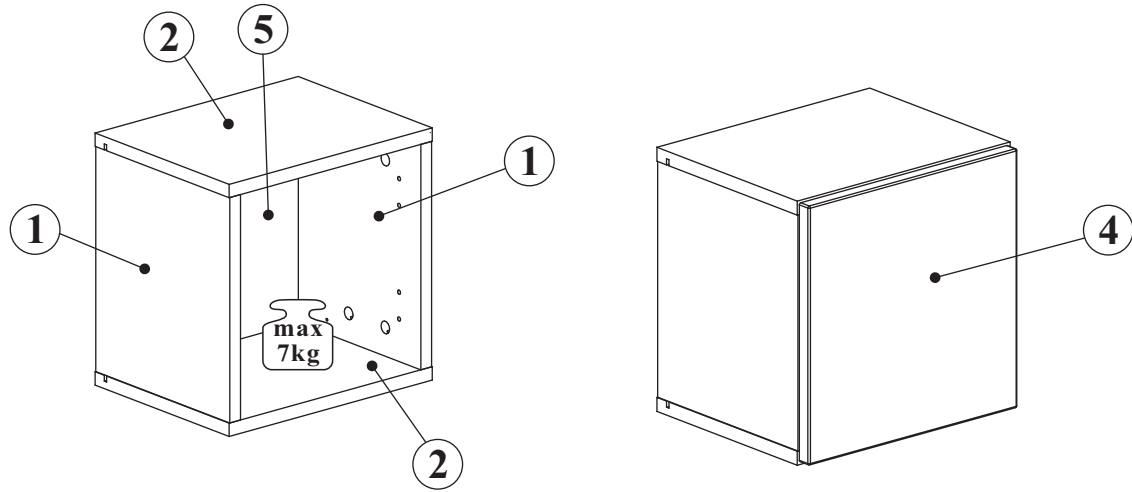
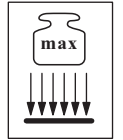
KR2	
x2	Ø8



12



SWITCH 27 -- SW SW 5

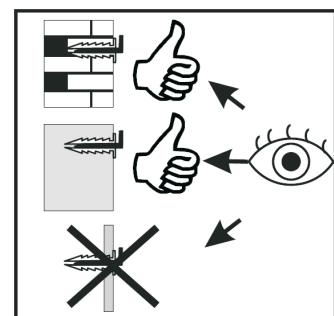
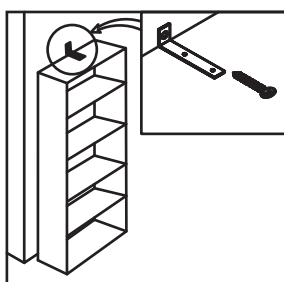
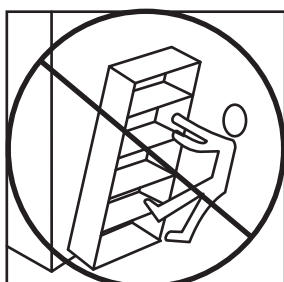
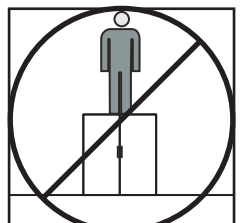
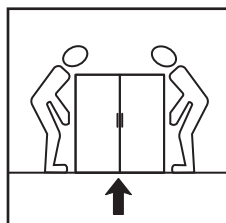
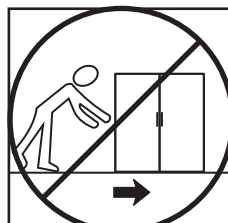
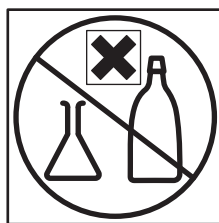
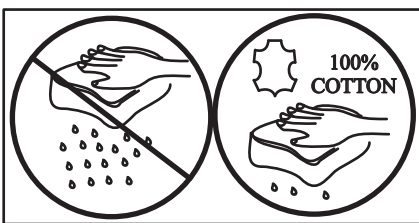
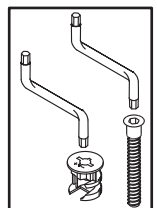
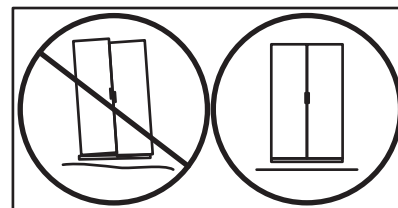
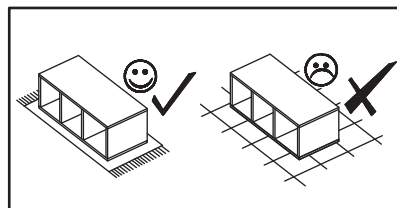
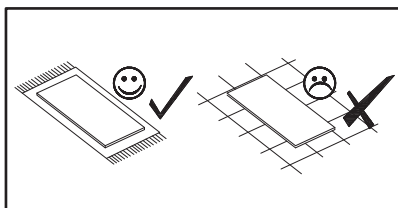
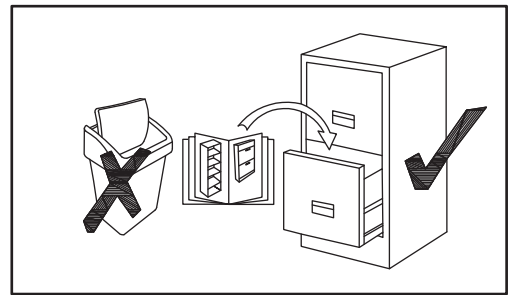
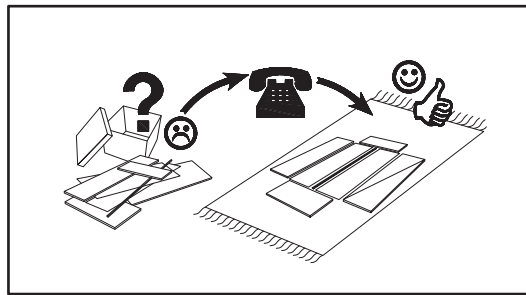
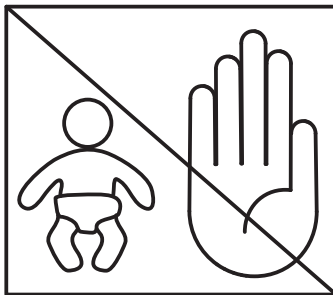
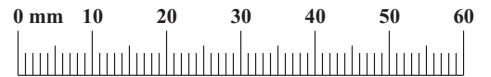


60 min

NO	Dim.			Col-No	Qty
1	270	234	16	1	2
2	302	234	16	1	2
5	282	280	3	1	1
4	296	296	16	1	1

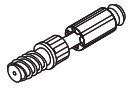
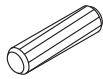
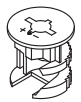
SWITCH SW 5

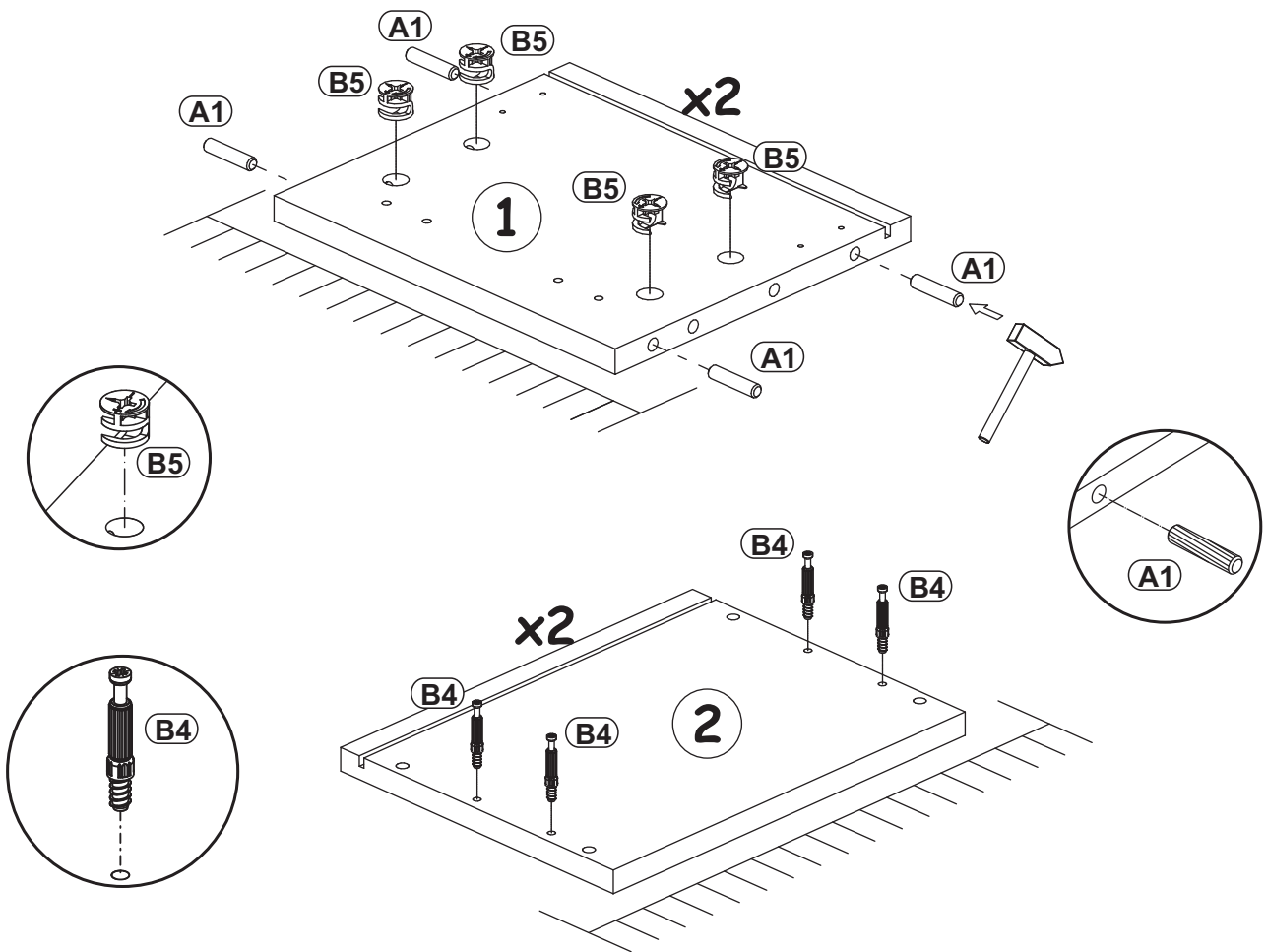
A1 x8 ø8x36	B4 x8	G5 x8	B5 x8 ø15x12	ZR1 x2	D6 x4 USØ3,5x30
E1 x2 Ø26 H=0	E2 x2 H=0	D10 x6 USØ3,5x13	T1 x1	S1 x4	KR2 x2 Ø8
G2 x1	Z2 x4 Ø5				




SWITCH SW 5

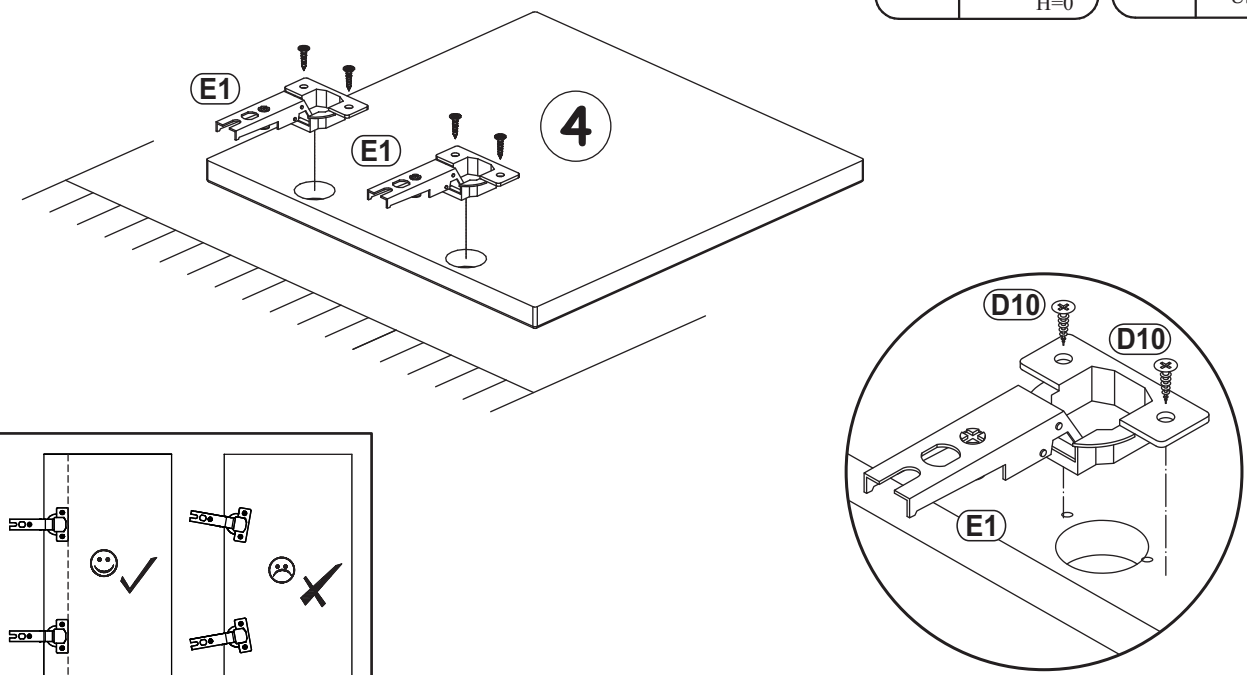
1

B4		A1		B5	
x8		x8	ø8x36	x8	ø15x12




2

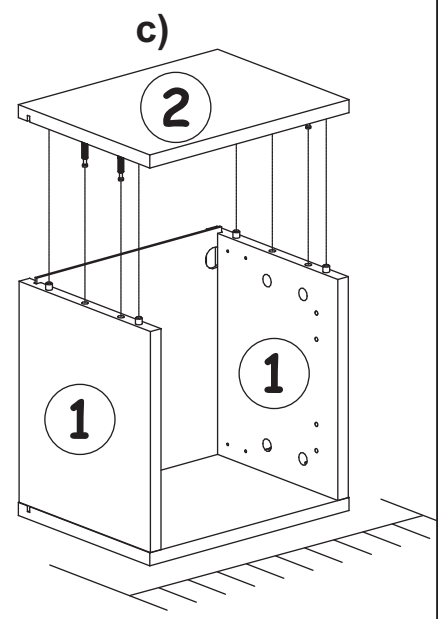
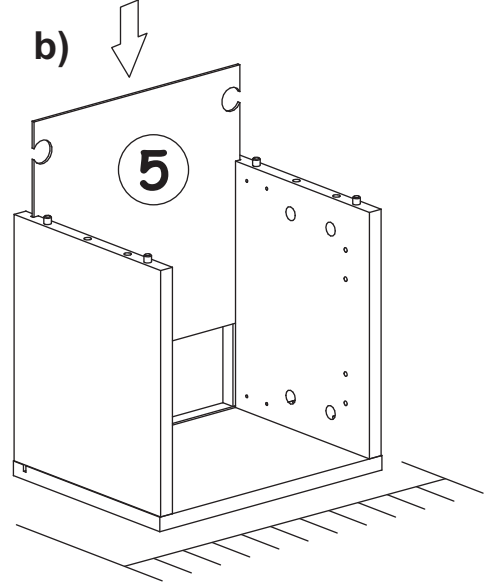
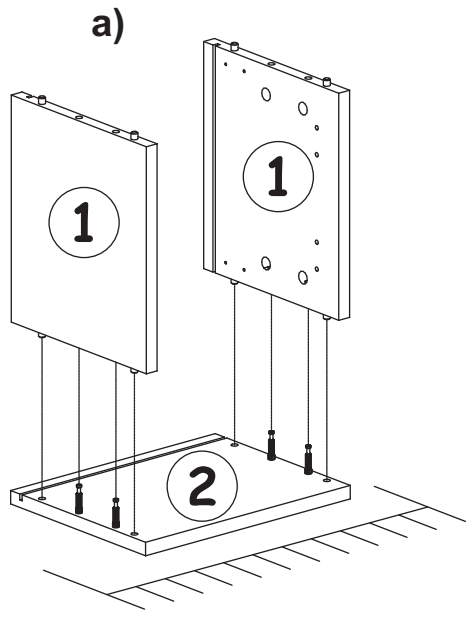
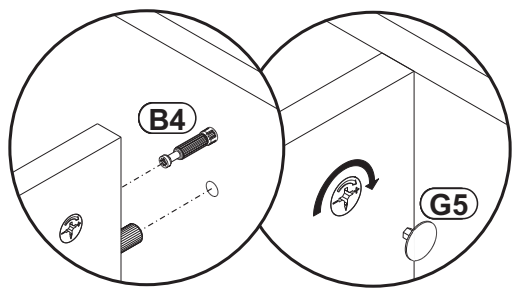
E1	Ø26	D10	
x2	H=0	x4	USØ3,5x13



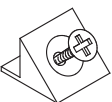
SWITCH SW 5

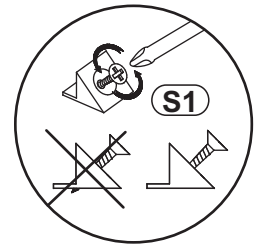
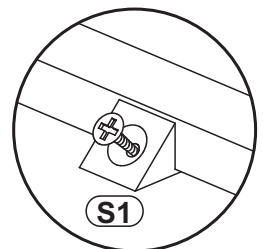
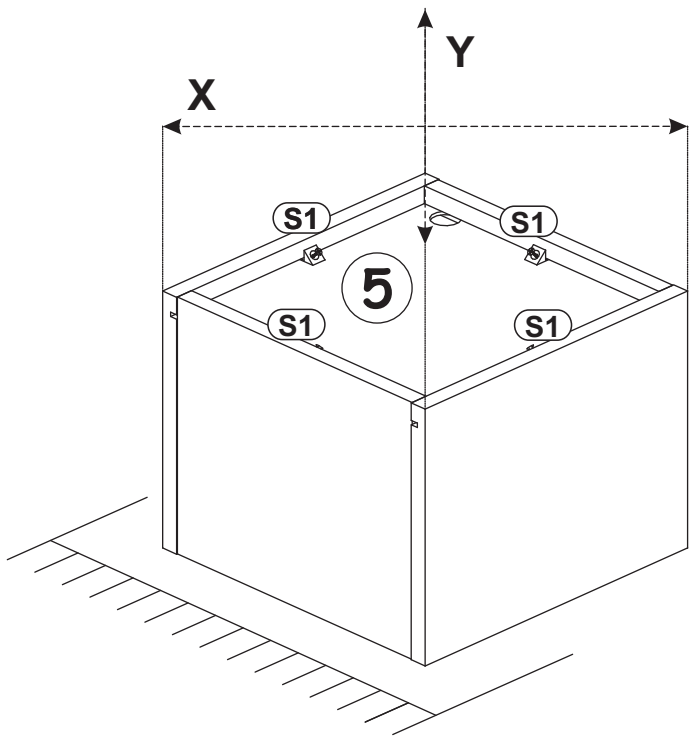
3

G5	
x8	



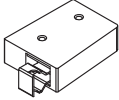

4

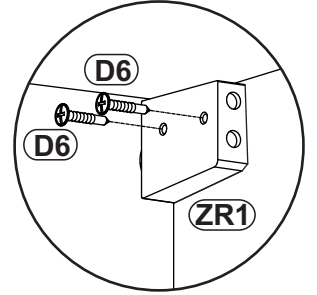
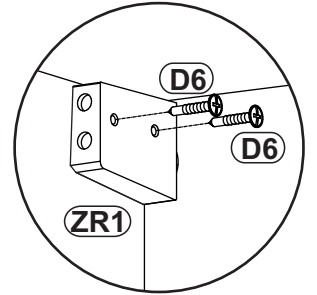
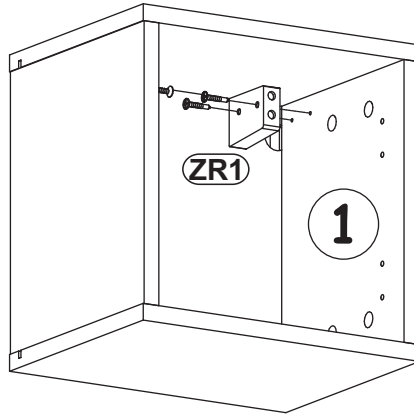
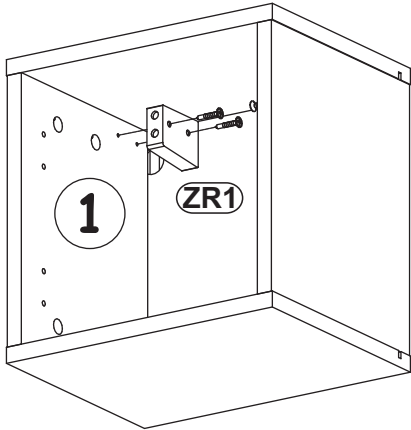
S1	
x4	



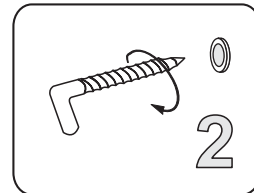
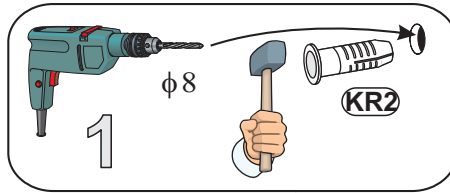
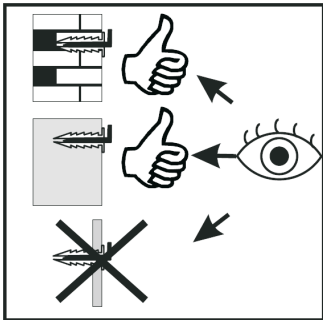
SWITCH SW 5

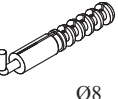
5

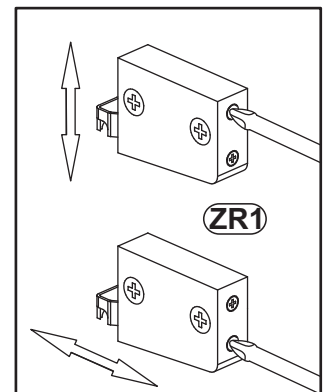
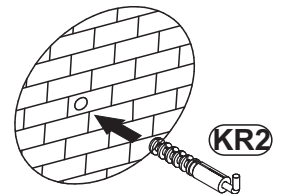
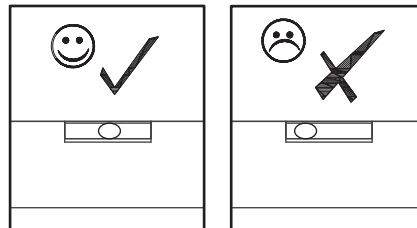
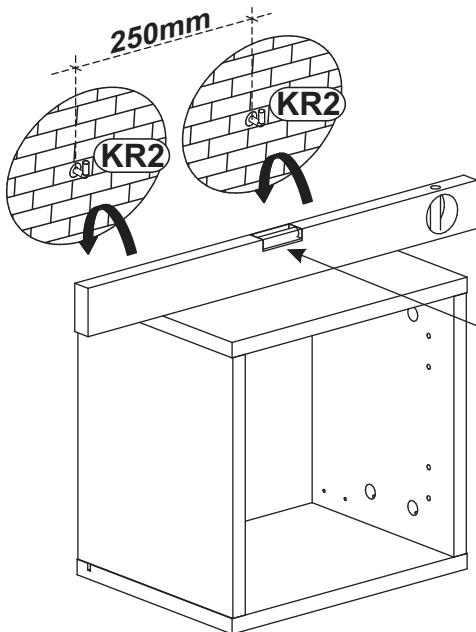
ZR1		D6	
x2		x4	USØ3,5x30



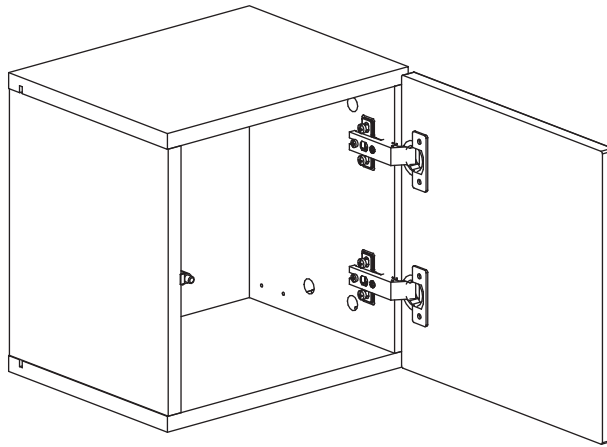
6



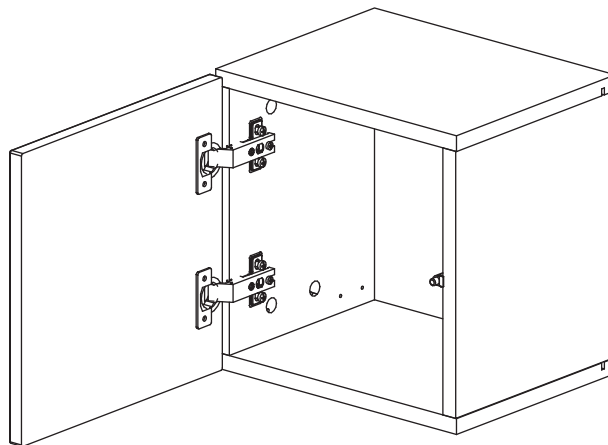
KR2	
x2	Ø8



7 - 8

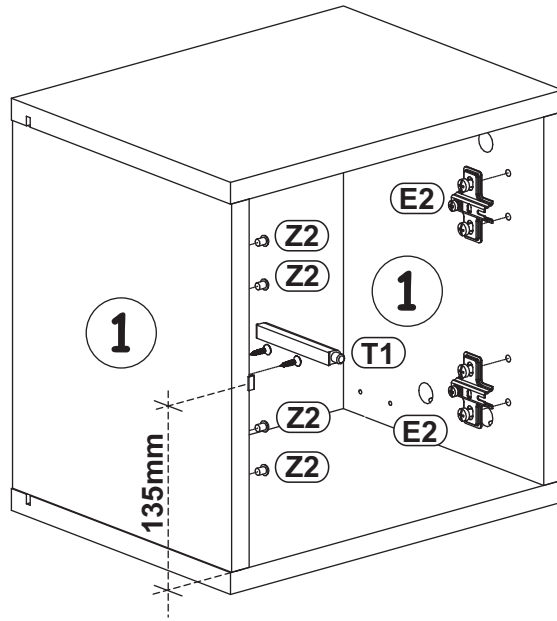
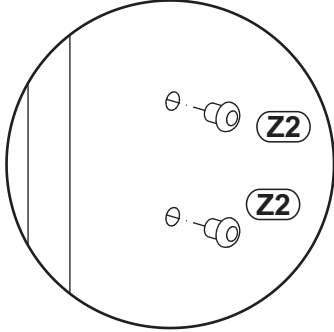
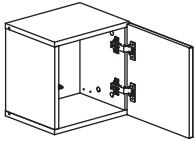


9 - 10



SWITCH SW 5

7

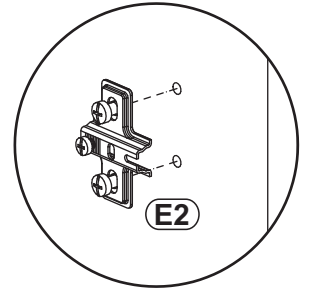


D10	
x2	USØ3,5x13

T1	
x1	

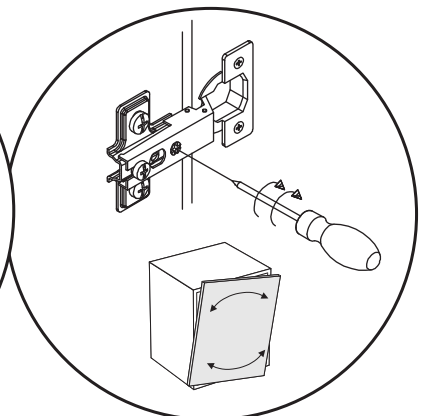
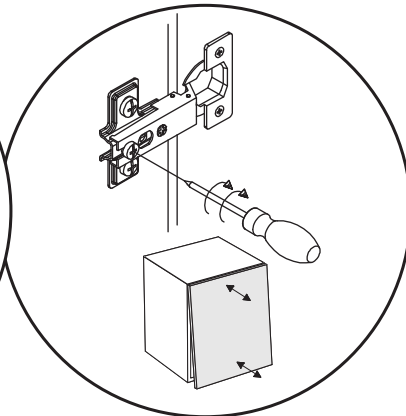
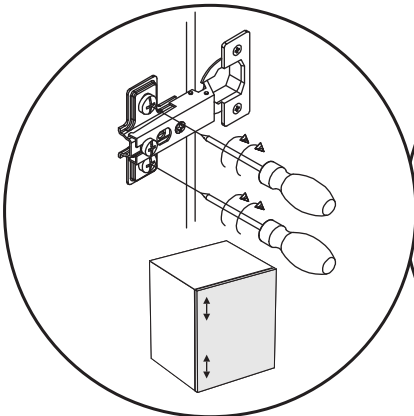
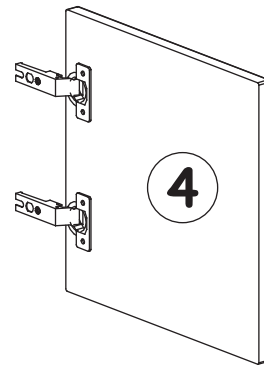
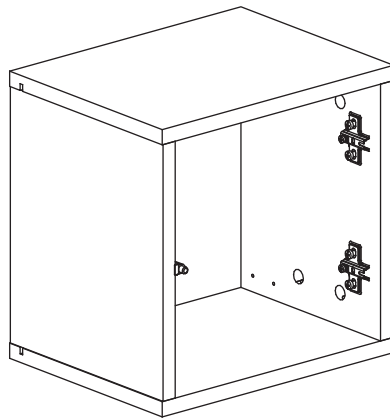
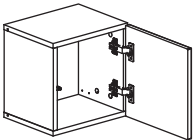
Z2	
x4	Ø5

E2	
x2	H=0



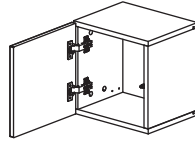
1	2

8



SWITCH SW 5

9

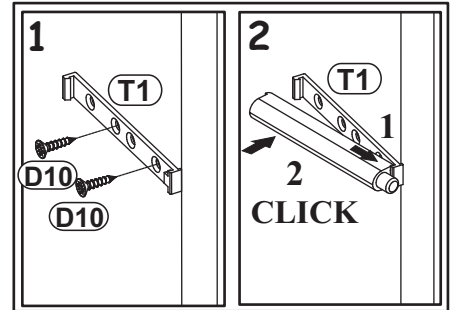
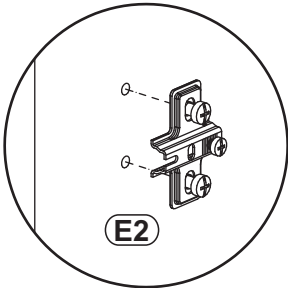
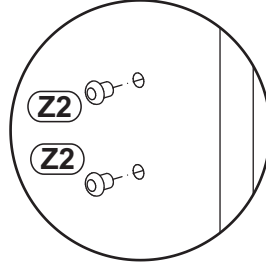
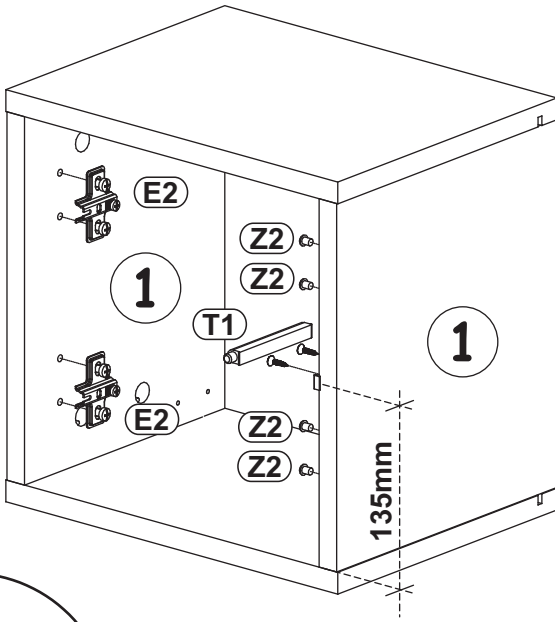


E2	
x2	H=0

D10	
x2	USØ3,5x13

T1	
x1	

Z2	
x4	Ø5



10

